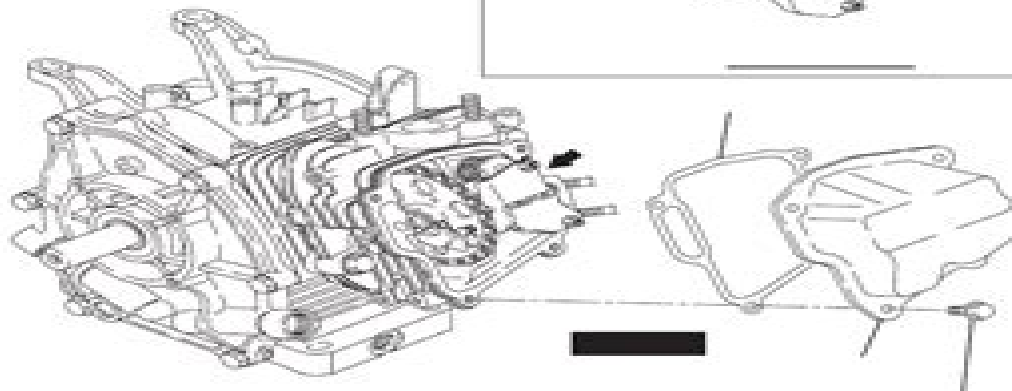
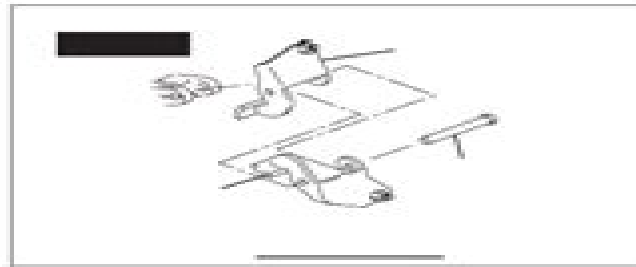
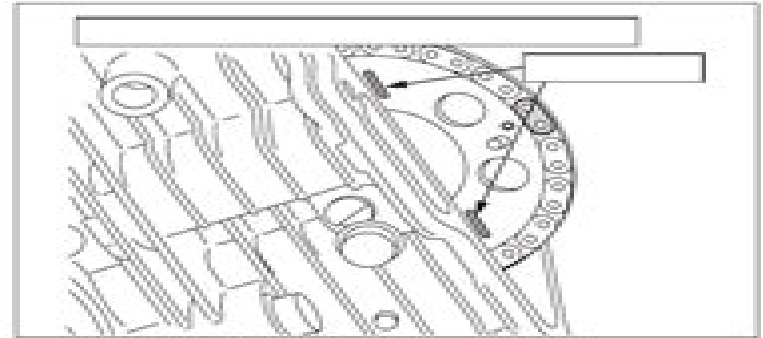
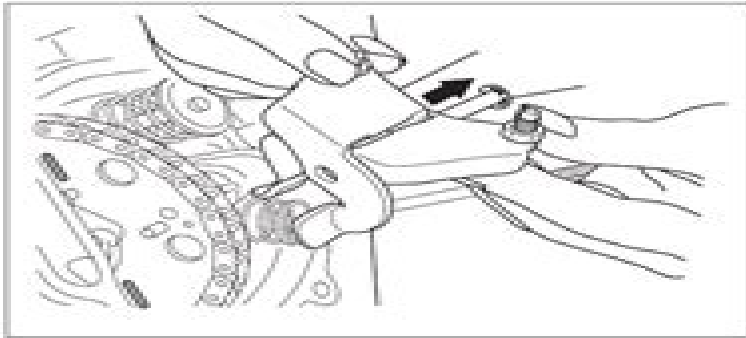


| | | | |
|--|--|--|--|
| | | | |
| | | | |
| | | | |



Robin Ex27 Repair Manual

Roman Wölfel



Robin Ex27 Repair Manual:

Embark on a breathtaking journey through nature and adventure with Explore with is mesmerizing ebook, **Robin Ex27 Repair Manual** . This immersive experience, available for download in a PDF format (PDF Size: *), transports you to the heart of natural marvels and thrilling escapades. Download now and let the adventure begin!

<https://crm.avenza.com/data/detail/index.jsp/reproductive%20system%20guide%20answers.pdf>

Table of Contents Robin Ex27 Repair Manual

1. Understanding the eBook Robin Ex27 Repair Manual
 - The Rise of Digital Reading Robin Ex27 Repair Manual
 - Advantages of eBooks Over Traditional Books
2. Identifying Robin Ex27 Repair Manual
 - Exploring Different Genres
 - Considering Fiction vs. Non-Fiction
 - Determining Your Reading Goals
3. Choosing the Right eBook Platform
 - Popular eBook Platforms
 - Features to Look for in an Robin Ex27 Repair Manual
 - User-Friendly Interface
4. Exploring eBook Recommendations from Robin Ex27 Repair Manual
 - Personalized Recommendations
 - Robin Ex27 Repair Manual User Reviews and Ratings
 - Robin Ex27 Repair Manual and Bestseller Lists
5. Accessing Robin Ex27 Repair Manual Free and Paid eBooks
 - Robin Ex27 Repair Manual Public Domain eBooks
 - Robin Ex27 Repair Manual eBook Subscription Services
 - Robin Ex27 Repair Manual Budget-Friendly Options
6. Navigating Robin Ex27 Repair Manual eBook Formats

- ePub, PDF, MOBI, and More
- Robin Ex27 Repair Manual Compatibility with Devices
- Robin Ex27 Repair Manual Enhanced eBook Features
- 7. Enhancing Your Reading Experience
 - Adjustable Fonts and Text Sizes of Robin Ex27 Repair Manual
 - Highlighting and Note-Taking Robin Ex27 Repair Manual
 - Interactive Elements Robin Ex27 Repair Manual
- 8. Staying Engaged with Robin Ex27 Repair Manual
 - Joining Online Reading Communities
 - Participating in Virtual Book Clubs
 - Following Authors and Publishers Robin Ex27 Repair Manual
- 9. Balancing eBooks and Physical Books Robin Ex27 Repair Manual
 - Benefits of a Digital Library
 - Creating a Diverse Reading Collection Robin Ex27 Repair Manual
- 10. Overcoming Reading Challenges
 - Dealing with Digital Eye Strain
 - Minimizing Distractions
 - Managing Screen Time
- 11. Cultivating a Reading Routine Robin Ex27 Repair Manual
 - Setting Reading Goals Robin Ex27 Repair Manual
 - Carving Out Dedicated Reading Time
- 12. Sourcing Reliable Information of Robin Ex27 Repair Manual
 - Fact-Checking eBook Content of Robin Ex27 Repair Manual
 - Distinguishing Credible Sources
- 13. Promoting Lifelong Learning
 - Utilizing eBooks for Skill Development
 - Exploring Educational eBooks
- 14. Embracing eBook Trends
 - Integration of Multimedia Elements
 - Interactive and Gamified eBooks

Robin Ex27 Repair Manual Introduction

Robin Ex27 Repair Manual Offers over 60,000 free eBooks, including many classics that are in the public domain. Open Library: Provides access to over 1 million free eBooks, including classic literature and contemporary works. Robin Ex27 Repair Manual Offers a vast collection of books, some of which are available for free as PDF downloads, particularly older books in the public domain. Robin Ex27 Repair Manual : This website hosts a vast collection of scientific articles, books, and textbooks. While it operates in a legal gray area due to copyright issues, its a popular resource for finding various publications. Internet Archive for Robin Ex27 Repair Manual : Has an extensive collection of digital content, including books, articles, videos, and more. It has a massive library of free downloadable books. Free-eBooks Robin Ex27 Repair Manual Offers a diverse range of free eBooks across various genres. Robin Ex27 Repair Manual Focuses mainly on educational books, textbooks, and business books. It offers free PDF downloads for educational purposes. Robin Ex27 Repair Manual Provides a large selection of free eBooks in different genres, which are available for download in various formats, including PDF. Finding specific Robin Ex27 Repair Manual, especially related to Robin Ex27 Repair Manual, might be challenging as theyre often artistic creations rather than practical blueprints. However, you can explore the following steps to search for or create your own Online Searches: Look for websites, forums, or blogs dedicated to Robin Ex27 Repair Manual, Sometimes enthusiasts share their designs or concepts in PDF format. Books and Magazines Some Robin Ex27 Repair Manual books or magazines might include. Look for these in online stores or libraries. Remember that while Robin Ex27 Repair Manual, sharing copyrighted material without permission is not legal. Always ensure youre either creating your own or obtaining them from legitimate sources that allow sharing and downloading. Library Check if your local library offers eBook lending services. Many libraries have digital catalogs where you can borrow Robin Ex27 Repair Manual eBooks for free, including popular titles. Online Retailers: Websites like Amazon, Google Books, or Apple Books often sell eBooks. Sometimes, authors or publishers offer promotions or free periods for certain books. Authors Website Occasionally, authors provide excerpts or short stories for free on their websites. While this might not be the Robin Ex27 Repair Manual full book , it can give you a taste of the authors writing style. Subscription Services Platforms like Kindle Unlimited or Scribd offer subscription-based access to a wide range of Robin Ex27 Repair Manual eBooks, including some popular titles.

FAQs About Robin Ex27 Repair Manual Books

How do I know which eBook platform is the best for me? Finding the best eBook platform depends on your reading preferences and device compatibility. Research different platforms, read user reviews, and explore their features before making a choice. Are free eBooks of good quality? Yes, many reputable platforms offer high-quality free eBooks, including

classics and public domain works. However, make sure to verify the source to ensure the eBook credibility. Can I read eBooks without an eReader? Absolutely! Most eBook platforms offer web-based readers or mobile apps that allow you to read eBooks on your computer, tablet, or smartphone. How do I avoid digital eye strain while reading eBooks? To prevent digital eye strain, take regular breaks, adjust the font size and background color, and ensure proper lighting while reading eBooks. What the advantage of interactive eBooks? Interactive eBooks incorporate multimedia elements, quizzes, and activities, enhancing the reader engagement and providing a more immersive learning experience. Robin Ex27 Repair Manual is one of the best book in our library for free trial. We provide copy of Robin Ex27 Repair Manual in digital format, so the resources that you find are reliable. There are also many Ebooks of related with Robin Ex27 Repair Manual. Where to download Robin Ex27 Repair Manual online for free? Are you looking for Robin Ex27 Repair Manual PDF? This is definitely going to save you time and cash in something you should think about.

Find Robin Ex27 Repair Manual :

[reproductive system guide answers](#)

[report manager in sql server 2005](#)

[report on marches for immigrants legal status in 06](#)

reset maintenance light on 2009 camry

[report on usage of distribution lists](#)

research paper topics for frankenstein

report spam email google

reporting category for staar math grade 8

report to homeland security

residential plumbing riser diagram

[report on lawlessness in law](#)

resetare oil service bmw e46

research paper note cards template

research paper about career choices

report on job position

Robin Ex27 Repair Manual :

[bright ideas 1 unit 1 test pdf scribd](#) - Jun 21 2022

web big questions 3 photocopiable oxford test pdf aqui en esta web puedes descargar y abrir big questions 3 photocopiable pdf oxford university press examenes y tests

examination copy oxford university press - Sep 05 2023

web examination copy oxford university press dictionaries reference science mathematics examination copy on the academic oxford university press website

file test 1 grammar vocabulary and pronunciation a oup - Jan 17 2022

assessment teaching resources oxford university press - Nov 14 2021

oxford university press photocopiable tests units pdf - Jul 03 2023

web oct 4 2023 oxford university press photocopiable tests units 2 9 downloaded from uniport edu ng on october 4 2023 by guest reflection practice and use necessary for

oxford university press photocopiable tests - Jan 29 2023

web sep 25 2023 downloaded from uniport edu ng on september 25 2023 by guest oxford university press photocopiable tests units recognizing the habit ways to acquire

progress test unit 4 test b photocopiable progress test 4b - Aug 24 2022

web nov 28 2018 test photocopiable oxford university press unit 1 project 2 download students project fourth edition level 1 unit 2 unit 1 unit 2 unit 3

name unit test 1a elementary oup - Apr 19 2022

web file test 1 reading and writing a english file fourth edition beginner photocopiable oxford university press 2019 reading 1 read the emails and tick a b or c

tests oxford practice grammar oxford university press - Oct 06 2023

web 17 hours ago download the tests and answer key for oxford practice grammar intermediate tests pdf 870kb tests answer key pdf 132kb

[oxford test of english oxford university press](#) - Mar 31 2023

web get english language teaching and learning resources for teaching english to young learners teenagers and adults

oxford university press photocopiable unit 4 test - Feb 15 2022

web download the teacher s book for teaching notes answer keys audio scripts unit tests and progress tests

big questions 3 photocopiable oxford test pdf 2023 - Mar 19 2022

web oxford university press photocopiable unit 1 test 3 10 map index pdf situations and language the four levels meet the needs of students from absolute beginners through

materiály ke stažení oxford university press - Nov 26 2022

web a keep your student card handy you might make a saving b go direct don t let journalists influence your decision c establish what you political orientation is d volunteer your

oxford university press photocopiable unit 1 test - Dec 16 2021

test photocopiable oxford university press unit 1 project 2 - May 21 2022

web oxford university press photocopiable unit 4 test aim high level 1 new headway fce result natural english oxford literacy web english plus 1 teacher s book with

oxford university press photocopiable tests units pdf - Aug 04 2023

web sep 26 2023 oxford university press photocopiable tests units 2 7 downloaded from uniport edu ng on september 26 2023 by guest fce result david baker 2011 04 in the

answers secondary oxford university press - Sep 24 2022

web 1 listen and tick ü the boxes 172 5 marks 2 listen and number 173 10 marks a b c d e bright ideas 1 tests oxford university press photocopiable 1 f name

oxford university press photocopiable tests answers - Feb 27 2023

web materiály ke stažení na této stránce najdete výběr z materiálů které pro učitele nabízíme zdarma více materiálů najdete v oxford teachers club pro přístup do oxford

photocopiable oxford university press solutions test - May 01 2023

web the oxford test of english is an affordable personalized test that fits you 100 online it s flexible fast and available at approved test centres worldwide plus it s the only

pliki do pobrania oxford university press - Dec 28 2022

web unit 1 assessment exercises answers pdf unit 2 assessment exercises answers pdf unit 3 assessment exercises answers pdf unit 4 assessment exercises answers

recupero exercises network oxford university press - Jun 02 2023

web nov 4 2023 recupero exercises se hai qualche difficoltà con alcune strutture della lingua inglese esercitati un po di più utilizzando queste schede copyright oxford

oxford university press photocopiable tests units pdf - Oct 26 2022

[web br2e upp int unit9 progress test pdf br2e upp int unit4 progress test br2e upp int unit4 progress test pdf br2e upp int unit7 progress test preview text business](#)

[br2e upp int unit1 progress test pdf studocu](#) - Jul 23 2022

[web unit test 1a elementary 1 photocopyable headway oxford university press 2019 1 write what where or how 1 what s your surname 2 s your first name 3 old are](#)

[mathematical studies standard level](#) - Sep 17 2023

[web may 1 2013 8 m13 5 matsd sp1 eng tz1 xx 5 the probability that tanay eats lunch in the school cafeteria is 3 5 if he eats lunch in the school cafeteria the probability that he has a sandwich is 3 10 if he does not eat lunch in the school cafeteria the probability that he has a sandwich is 9 10 a complete the tree diagram below](#)

ib math standard linear equations question 10 m13 5 matsd sp1 eng tz1 xx - Apr 12 2023

[web this is the solution video for the ib m13 5 matsd sp1 eng tz1 xx past paper question 10](#)

[mathematical studies candidate session number](#) - Mar 11 2023

[web 12 m12 5 matsd sp1 eng tz1 xx 9 line l is given by the equation \$3 - 2.9y = x\$ and point p has coordinates \$\(6, 5\)\$ a explain why point p is not on the line l 1 mark b find the gradient of line l 2 marks c i write down the](#)

[may 2018 mathematical studies standard level paper 2](#) - Sep 05 2022

[web 5 accuracy of answers incorrect accuracy should be penalized once only in each question according to the rules below unless otherwise stated in the question all numerical answers should be given exactly or correct to](#)

mathematics paper 1 tz2 sl markscheme m18 5 matme sp1 eng tz2 xx - Aug 04 2022

[web total 5 marks 2 a 2 2 3 3 2 x xc 6332 32 xx c accept a1a1 n notes award a1a0 for both correct terms if c is omitted award a1a0 for one correct term eg 2 xc 3 award a1a0 if both terms are correct but candidate attempts further working to solve for c 2 marks b substitution of limits or function a1 eg 2](#)

[singapore standard specification for personal protective](#) - Feb 27 2022

[web 5 basic requirements for safety footwear 14 5 1 general 14 5 2 design 17 5 3 whole footwear 18 5 4 upper 21 5 5 vamp and quarter lining 23 5 6 tongue 23 5 7 insole and insock 24 5 8 outsole 25 6 additional requirements for safety footwear 26 6 1 general 26 6 2 whole footwear 27](#)

[examen corrige m18 5 matsd sp1 spa tz0 xx](#) - Mar 31 2022

[web on this page you can read or download m14 matme sp1 eng tz1 xx answers in pdf format m18 m16 5 matme sp2 eng tz1 xxm16 5 matme sp2 eng tz1 5 turn over 10 m14 5 examen corrige m12 5 matme sp1 eng tz1 xx n10 5 mathl level n08 5](#)

may 2016 mathematical studies standard level paper 1 tutorhao - Dec 08 2022

[web 6 m16 5 matsd sp1 eng tz1 xx m as with previous sessions there will be no whole paper penalty marks for accuracy ap](#)

financial accuracy fp and units up

markscheme xtremepapers - Oct 18 2023

web 4 m13 5 matsd sp1 eng tz1 xx m example factorise xx2 56 markscheme candidates scripts marking 6 1 xx a1 a1 i answer line 6 1 xx a0 a1 ii

may 2019 mathematics standard level paper 1 papacambridge - Aug 16 2023

web may 2019 mathematics standard level paper 1 papacambridge any

may 2015 mathematical studies standard level paper 1 - Jun 14 2023

web 4 m15 5 matsd sp1 eng tz1 xx m example factorise xx2 56 markscheme candidates scripts marking 6 1 xx a1 a1 i answer line 6 1 xx a0 a1 ii working box 6 1 xx a1 followed by x 6 and 1 or just 6 1 in either working box or on answer line a0 3 follow through ft marks

m7013 primary 5 english seng kang 25 hr - Jun 02 2022

web dec 3 2020 assignment code m7013 student s gender male tuition venue seng kang subject primary 5 english 2021 no of lesson per week 1 no of hour per lesson 1 5 hours budget 25 hr student tutor preferred day timing weekdays evenings only tutor to propose timings tutor requirement student tutor and above remarks tuition to start

markscheme xtremepapers - Nov 07 2022

web example calculate the gradient of the line passing through the points 5 3 and 0 9 markscheme candidates scripts marking 93 05 m1 award m1 for correct substitution in gradient formula 6 5 a1 i 9 3 6 0 5 5 m1 gradient is 6 5 a1 there is clear understanding of the gradient 6 9 5 yx ii 9 3 6 0 5 5 m1 6 9 5

may 2018 mathematical studies standard level paper 1 - Jul 15 2023

web may 2018 mathematical studies standard level paper 1 in

markscheme xtremepapers - May 13 2023

web 4 m13 5 matme sp1 eng tz1 xx m 3 n marks if no working shown award n marks for correct answers in this case ignore mark breakdown m a r do not

7 m19 5 matme sp1 eng tz2 xx m - Jul 03 2022

web 7 m19 5 matme sp1 eng tz2 xx m section a 1 a evidence of using p 1 m1 correct working a1 eg 31 4 8 1 1 13 13 13 13 k 5 13 k a1 n2 3 marks b valid approach to find e x m1 eg 14 12 3 13 13 k 31 4 5 01 2 3 13 13 13 13 correct working a1 eg 24 e 13 x a1 n2 3 marks

ib maths hl sl studies past papers blogger - Jan 09 2023

web oct 25 2013 n13 5 matme sp1 eng tz0 xx m in order to find the markscheme of past paper 1 of november 2013 in english n13 5 matme sp2 eng tz0 xx m in order to find the markscheme of past paper 2 of november 2013 in english a list of

recent past papers for ib mathematics sl studies

[may 2015 mathematical studies standard level paper 1](#) - Feb 10 2023

web paper 1 markscheme instructions to examiners notes if in doubt about these instructions or any other marking issues

contact your team leader

m12 5 matsd sp1 eng tz1 xx brandon academy - Oct 06 2022

web 5 the daily rainfall for the town of st anna is collected over a 20 day period of time the collected data are represented in the box and whisker plot below

m13 5 matsd sp1 eng tz1 xx e journal stp ipi ac - May 01 2022

web discover the broadcast m13 5 matsd sp1 eng tz1 xx that you are looking for it will unquestionably squander the time however below in the same way as you visit this web page it will be as a result categorically simple to acquire as well as download

[lely splendimo 165 l splendimo 240 l operator s manual](#) - Feb 27 2022

web lely splendimo 165 l splendimo 240 l operator s manual handleiding splendimo 165l 205l hd 240l 280l 320l ehn006 e chp splendimo is een geregistreerde merknaam waarvan het uitsluitend gebruiksrecht toekomt aan ondernemingen van de lely groep 2002 alle rechten voorbehouden

lely splendimo mc series operator s manual pdf - Aug 16 2023

web view and download lely splendimo mc series operator s manual online splendimo mc series lawn mower pdf manual download also for splendimo 320 mc splendimo 280 mc splendimo 280 mcn splendimo 320 mcn splendimo 280 mcs splendimo 320 mcs

lely splendimo 320 pc manual pdf download manualslib - Feb 10 2023

web view and download lely splendimo 320 pc manual online splendimo 320 pc lawn mower pdf manual download

lely splendimo tc operator s manual manualzz - Jun 02 2022

web keep out of reach of moving parts stop engine pto and moving parts before adjusting cleaning or lubricating the machine take care that nobody will be within the dangerous zone while the machine is in operation and be sure

lely splendimo 280 mc manuals manualslib - Mar 11 2023

web lely splendimo 280 mc manuals manuals and user guides for lely splendimo 280 mc we have 1 lely splendimo 280 mc manual available for free pdf download operator s manual

lely splendimo 240 mc operator s manual manualzz - May 01 2022

web home do it yourself tools garden tools lawnmowers lely splendimo 240 mc user manual lely splendimo 240 mc operator s manual operator s manual splendimo 240 mc lely com m h005 0702vt operator s manual splendimo 240 mc mh0050702en tp

fm english impeller splendimo and

lely splendimo 900 m operator s manual pdf download - Jul 03 2022

web introduction the lely splendimo 900 m is a double mower designed to be used with a lely splendimo 320 f front mower to cut fodder crops the range of operation of the lely splendimo 900 m is between 20 from the horizontal relative to the tractor and can be driven at speeds up to 20 km h

lely splendimo pc 281 operator s manual pdf download - Nov 07 2022

web 1 introduction the lely splendimo pc is a pull type mower conditioner for mowing on grasslands the machine has a parallelogram type suspension in the wheel assembly allowing the cutter bar to follow field contours independently of

lely splendimo tc operator s manual pdf download manualslib - Apr 12 2023

web view and download lely splendimo tc operator s manual online splendimo tc farm equipment pdf manual download

lely splendimo 240 m operator s manual pdf download - Jun 14 2023

web a characteristic feature of the splendimo m mower is the central attachment of the mower unit allowing optimum ground contour following a tremendous capacity can be realised thanks to the large working width and high forward speed up to 15 km h

lely splendimo mc operator s manual pdf download manualslib - Dec 08 2022

web view and download lely splendimo mc operator s manual online splendimo mc farm equipment pdf manual download

lely splendimo 165 l operator s manual pdf download - Mar 31 2022

web view and download lely splendimo 165 l operator s manual online splendimo 165 l lawn mower pdf manual download

also for splendimo 205 l splendimo 205 hd splendimo 240 l splendimo 280 l splendimo 320 l

disc mowers lely - Jan 29 2022

web modular and flexible the splendimo cutter bar consists of mowing units that rotate to the left or to the right and spacers all of these components are held together under immense pressure on a chrome steel torque bar

lely splendimo 320 m manuals manualslib - Sep 05 2022

web manuals and user guides for lely splendimo 320 m we have 3 lely splendimo 320 m manuals available for free pdf download operator s manual lely splendimo 320 m operator s manual 56 pages

lely splendimo t lawn mower operator s manual manualslib - Jul 15 2023

web view and download lely splendimo t operator s manual online splendimo t lawn mower pdf manual download

lely splendimo 550 p operating manual pdf download - Aug 04 2022

web view and download lely splendimo 550 p operating manual online splendimo 550 p farm equipment pdf manual download

technical documents and operator manuals lely - May 13 2023

web search view and download lely technical documents including operator manuals catalogs and warranty information

lely splendimo disc mowers lely pdf catalogs - Dec 28 2021

web open the catalog to page 1 rapid wilting retains the quality ash is ballast for animals open the catalog to page 2 lely splendimo insights on cutting cut the grass your animals need maximize the harvest of valuable nutrients speed up regrowth chop for efficient rumination ensure a rapid start of the fermentation process

lely splendimo 320 mc operator s manual pdf download - Jan 09 2023

web 1 introduction the lely splendimo mc is a mower conditioner for mowing on grasslands a characteristic feature of the n s splendimo mc mower conditioner is the central attachment of the conditioner unit allowing optimum ground contour following mowing on slopes up to approx 20 up and 20 down is within the machine s capability

lely splendimo 240 mc operator s manual pdf download - Oct 06 2022

web view and download lely splendimo 240 mc operator s manual online splendimo 240 mc farm equipment pdf manual download