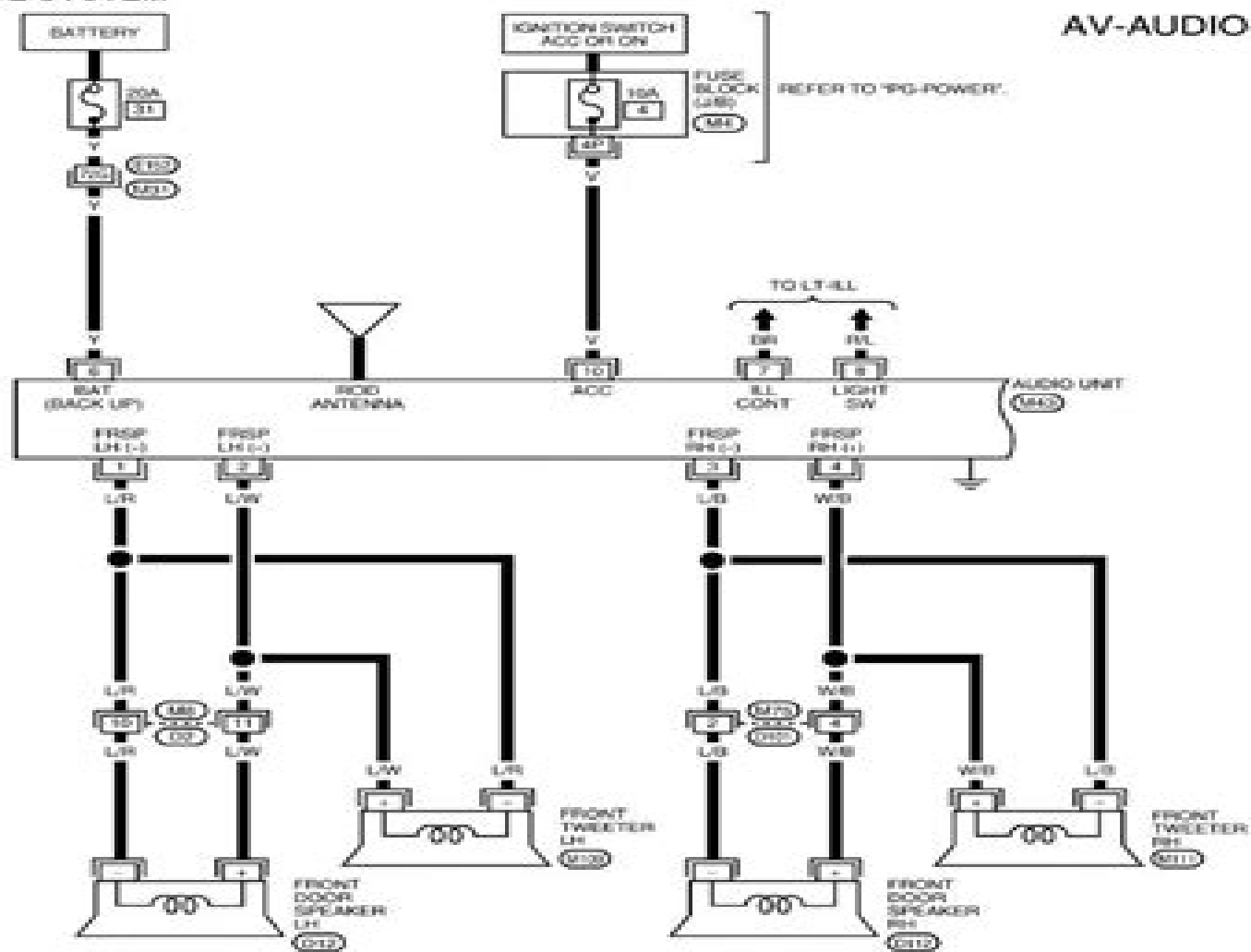


AUDIO

Wiring Diagram — AUDIO — BASE SYSTEM

AV-AUDIO-01



AV-AUDIO-01



REFER TO THE FOLLOWING:
 (312) - SUPER MULTIPLE
 JUNCTION (SMJ)

Nissan Car Tape Wiring Diagram

Wick Humble



Nissan Car Tape Wiring Diagram:

How to Restore Your Datsun Z-Car, Second Edition Wick Humble,2025-06-15 The Datsun Z Car is one of the most popular and collectible imported sports cars since its release to the market in 1969 and this fully revised manual with the latest tips and tricks will help you bring your Z back to like new condition and show quality luster Wick Humble provides a complete update to his original guide for restoring 240Z 260Z and 280Z sports cars including the pluses and minuses of frame up or staged restoration He also discusses the tools needed and covers in detail all components of teardown restoration and assembly Includes tips on setting up your shop and what procedure to follow when storing and organizing your parts You ll find everything here Packed with info this guide includes more than 500 step by step photographs charts technical bulletins illustrations plus a bonus section that includes 32 Datsun parts ID and illustrations This book is easy to follow and is the essential guide to restoring your Datsun Z Car

Popular Mechanics Complete Car Care Manual Popular Mechanics,2008 Vehicle maintenance *Chilton's Nissan Maxima 1985-92 Repair Manual* ,1992 **Automobile Mechanical and Electrical Systems** Tom Denton,2011-05-23 This textbook will help you learn all the skills you need to pass Level 3 and 4 Vehicle Maintenance and Repair courses from City and Guilds IMI and BTEC and is also ideal for higher level ASE AUR and other qualifications Advanced Automotive Fault Diagnosis covers the fundamentals of vehicle systems and components and explains the latest diagnostic techniques employed in effective vehicle maintenance and repair Diagnostics or fault finding is an essential part of an automotive technician s work and as automotive systems become increasingly complex there is a greater need for good diagnostics skills For students new to the subject this book will help to develop these skills but will also assist experienced technicians in further improving their performance and keeping up with recent industry developments In full colour and including examples of the latest technology this is the guide that no student enrolled on an automotive maintenance and repair course should be without [Autocar & Motor](#) ,1989-05 **Automobile**

Electrical and Electronic Systems Tom Denton,2013-07-04 This textbook will help you learn all the skills you need to pass Level 3 vehicle electrical and electronic systems courses or related modules from City and Guilds IMI and BTEC and is also ideal for higher level ASE AUR and other qualifications As electrical and electronic systems become increasingly more complex and fundamental to the workings of modern vehicles understanding these systems is essential for automotive technicians For students new to the subject this book will help to develop this knowledge but will also assist experienced mechanics in keeping up with recent technological advances This new edition includes information on developments in hybrid car technology GPS multiplexing and electronic stability vehicle dynamics control In full colour and covering the latest course specifications this is the guide that no student enrolled on an automotive maintenance and repair course should be without Also by Tom Denton **Automobile Mechanical and Electrical Systems** ISBN 978 0 08 096945 9 **Advanced Automotive Fault Diagnosis** Third Edition ISBN 978 0 08 096955 8 *Automotive Wiring and Electrical Systems* Tony Candela,2009 The

perfect book for modifying muscle car electrical circuits for cooling fans and or power windows wiring a hot rod from scratch or adding a big stereo and other conveniences to modern performance cars

How to Drift Paul Morton,2006 Drifting is the newest most exciting motorsport we have seen in the United States since the invention of the limited slip differential it may be the most exhilarating contest of man and machine ever devised From the winding mountain passes and desolate industrial roads of Japan this unique sport of sliding a car sideways through a series of corners has become a huge hit in America Drifting or dorifto as they call it in Japan extracts the most exciting aspect auto racing extreme oversteer and makes it the focus of an intense and visually intoxicating new motor sport How to Drift The Art of Oversteer is a comprehensive guide to both the driving technique and car setup required for drifting The author defines various precision driving techniques used in drifting and explains them from a racecar driver s point of view How to Drift illustrates the finer elements of car control required in drifting with technical descriptions detailed line art and intense photography This book even includes a budget drift car build up with detailed suspension chassis and engine modifications that will help you turn your economy car into a drift machine on top of that there s a chapter detailing the finer aspects of an SR20DET swap

Haynes Nissan, Datsun Sentra, 1982-90 P. G. Strasman,1990 **Chilton's Nissan Sentra/Pulsar/NX** Chilton Automotive Books,Chilton,Joseph L. DeFrancesco,Richard Schwartz,Chilton Book Company,1997 Total Car Care is the most complete step by step automotive repair manual you ll ever use All repair procedures are supported by detailed specifications exploded views and photographs From the simplest repair procedure to the most complex trust Chilton s Total Car Care Manual

Chilton's Import Car Manual Chilton Book Company,1987 **The Autocar** ,1987 **Chilton's Foreign Car Repair Manual** Chilton Book Company,1971 Complete service and repair procedures for BMW including 2002 Volkswagen including Super Beetle Mercedes Benz including diesel engine service Audi Porsche including 914 Volvo including 164 Saab including 99 Fiat Opel including G T Alfa Romeo **Nissan Pick-ups** Rik Paul,Ken Freund,John Harold Haynes,1991 **Chilton's Import Car Repair Manual, 1986** ,1985 **Japanland** Karin Muller,2006-10-31 During a year spent in Japan on a personal quest to deepen her appreciation for such Eastern ideals as commitment and devotion documentary filmmaker Karin Muller discovered just how maddeningly complicated it is being Japanese In this book Muller invites the reader along for a uniquely American odyssey into the ancient heart of modern Japan Broad in scope and deftly observed by an author with a rich visual sense of people and place Japanland is as beguiling as this colorful country of contradictions **Chilton's Import Car Manual 1980-1987** , Ward's Automobile Topics ,1965 Automated Driving and Driver Assistance Systems Tom Denton,2019-10-16 Automated vehicles are set to transform the world Automated driving vehicles are here already and undergoing serious testing in several countries around the world This book explains the technologies in language that is easy to understand and accessible to all readers It covers the subject from several angles but in particular shows the links to existing ADAS technologies already in use in all modern vehicles There is a lot of hype in the media at the moment

about autonomous or driverless cars and while some manufacturers expect to have vehicles available from 2020 they will not soon take over and it will be some time before they are commonplace However it is very important to be ready for the huge change of direction that automated driving will take This is the first book of its type available and complements Tom Denton s other books *Federal Register* ,1995-12

Uncover the mysteries within Explore with is enigmatic creation, Embark on a Mystery with **Nissan Car Tape Wiring Diagram** . This downloadable ebook, shrouded in suspense, is available in a PDF format (*). Dive into a world of uncertainty and anticipation. Download now to unravel the secrets hidden within the pages.

https://crm.avenza.com/files/book-search/HomePages/scissor_lift_operators_manual.pdf

Table of Contents Nissan Car Tape Wiring Diagram

1. Understanding the eBook Nissan Car Tape Wiring Diagram
 - The Rise of Digital Reading Nissan Car Tape Wiring Diagram
 - Advantages of eBooks Over Traditional Books
2. Identifying Nissan Car Tape Wiring Diagram
 - Exploring Different Genres
 - Considering Fiction vs. Non-Fiction
 - Determining Your Reading Goals
3. Choosing the Right eBook Platform
 - Popular eBook Platforms
 - Features to Look for in an Nissan Car Tape Wiring Diagram
 - User-Friendly Interface
4. Exploring eBook Recommendations from Nissan Car Tape Wiring Diagram
 - Personalized Recommendations
 - Nissan Car Tape Wiring Diagram User Reviews and Ratings
 - Nissan Car Tape Wiring Diagram and Bestseller Lists
5. Accessing Nissan Car Tape Wiring Diagram Free and Paid eBooks
 - Nissan Car Tape Wiring Diagram Public Domain eBooks
 - Nissan Car Tape Wiring Diagram eBook Subscription Services
 - Nissan Car Tape Wiring Diagram Budget-Friendly Options
6. Navigating Nissan Car Tape Wiring Diagram eBook Formats

- ePub, PDF, MOBI, and More
- Nissan Car Tape Wiring Diagram Compatibility with Devices
- Nissan Car Tape Wiring Diagram Enhanced eBook Features
- 7. Enhancing Your Reading Experience
 - Adjustable Fonts and Text Sizes of Nissan Car Tape Wiring Diagram
 - Highlighting and Note-Taking Nissan Car Tape Wiring Diagram
 - Interactive Elements Nissan Car Tape Wiring Diagram
- 8. Staying Engaged with Nissan Car Tape Wiring Diagram
 - Joining Online Reading Communities
 - Participating in Virtual Book Clubs
 - Following Authors and Publishers Nissan Car Tape Wiring Diagram
- 9. Balancing eBooks and Physical Books Nissan Car Tape Wiring Diagram
 - Benefits of a Digital Library
 - Creating a Diverse Reading Collection Nissan Car Tape Wiring Diagram
- 10. Overcoming Reading Challenges
 - Dealing with Digital Eye Strain
 - Minimizing Distractions
 - Managing Screen Time
- 11. Cultivating a Reading Routine Nissan Car Tape Wiring Diagram
 - Setting Reading Goals Nissan Car Tape Wiring Diagram
 - Carving Out Dedicated Reading Time
- 12. Sourcing Reliable Information of Nissan Car Tape Wiring Diagram
 - Fact-Checking eBook Content of Nissan Car Tape Wiring Diagram
 - Distinguishing Credible Sources
- 13. Promoting Lifelong Learning
 - Utilizing eBooks for Skill Development
 - Exploring Educational eBooks
- 14. Embracing eBook Trends
 - Integration of Multimedia Elements
 - Interactive and Gamified eBooks

Nissan Car Tape Wiring Diagram Introduction

Nissan Car Tape Wiring Diagram Offers over 60,000 free eBooks, including many classics that are in the public domain. Open Library: Provides access to over 1 million free eBooks, including classic literature and contemporary works. Nissan Car Tape Wiring Diagram Offers a vast collection of books, some of which are available for free as PDF downloads, particularly older books in the public domain. Nissan Car Tape Wiring Diagram : This website hosts a vast collection of scientific articles, books, and textbooks. While it operates in a legal gray area due to copyright issues, its a popular resource for finding various publications. Internet Archive for Nissan Car Tape Wiring Diagram : Has an extensive collection of digital content, including books, articles, videos, and more. It has a massive library of free downloadable books. Free-eBooks Nissan Car Tape Wiring Diagram Offers a diverse range of free eBooks across various genres. Nissan Car Tape Wiring Diagram Focuses mainly on educational books, textbooks, and business books. It offers free PDF downloads for educational purposes. Nissan Car Tape Wiring Diagram Provides a large selection of free eBooks in different genres, which are available for download in various formats, including PDF. Finding specific Nissan Car Tape Wiring Diagram, especially related to Nissan Car Tape Wiring Diagram, might be challenging as theyre often artistic creations rather than practical blueprints. However, you can explore the following steps to search for or create your own Online Searches: Look for websites, forums, or blogs dedicated to Nissan Car Tape Wiring Diagram, Sometimes enthusiasts share their designs or concepts in PDF format. Books and Magazines Some Nissan Car Tape Wiring Diagram books or magazines might include. Look for these in online stores or libraries. Remember that while Nissan Car Tape Wiring Diagram, sharing copyrighted material without permission is not legal. Always ensure youre either creating your own or obtaining them from legitimate sources that allow sharing and downloading. Library Check if your local library offers eBook lending services. Many libraries have digital catalogs where you can borrow Nissan Car Tape Wiring Diagram eBooks for free, including popular titles. Online Retailers: Websites like Amazon, Google Books, or Apple Books often sell eBooks. Sometimes, authors or publishers offer promotions or free periods for certain books. Authors Website Occasionally, authors provide excerpts or short stories for free on their websites. While this might not be the Nissan Car Tape Wiring Diagram full book , it can give you a taste of the authors writing style. Subscription Services Platforms like Kindle Unlimited or Scribd offer subscription-based access to a wide range of Nissan Car Tape Wiring Diagram eBooks, including some popular titles.

FAQs About Nissan Car Tape Wiring Diagram Books

How do I know which eBook platform is the best for me? Finding the best eBook platform depends on your reading preferences and device compatibility. Research different platforms, read user reviews, and explore their features before

making a choice. Are free eBooks of good quality? Yes, many reputable platforms offer high-quality free eBooks, including classics and public domain works. However, make sure to verify the source to ensure the eBook credibility. Can I read eBooks without an eReader? Absolutely! Most eBook platforms offer web-based readers or mobile apps that allow you to read eBooks on your computer, tablet, or smartphone. How do I avoid digital eye strain while reading eBooks? To prevent digital eye strain, take regular breaks, adjust the font size and background color, and ensure proper lighting while reading eBooks. What the advantage of interactive eBooks? Interactive eBooks incorporate multimedia elements, quizzes, and activities, enhancing the reader engagement and providing a more immersive learning experience. Nissan Car Tape Wiring Diagram is one of the best book in our library for free trial. We provide copy of Nissan Car Tape Wiring Diagram in digital format, so the resources that you find are reliable. There are also many Ebooks of related with Nissan Car Tape Wiring Diagram. Where to download Nissan Car Tape Wiring Diagram online for free? Are you looking for Nissan Car Tape Wiring Diagram PDF? This is definitely going to save you time and cash in something you should think about.

Find Nissan Car Tape Wiring Diagram :

scissor lift operators manual

scotts 12048 manual

scott cr1 user manual

scope for paper of accounting grade 11 gauteng

science workbook answer key 5th

scope for business studies grade 12014

science world check answers

science worksheets wiring problems

science writing rubrics

~~scope for final paper 1 agricultural science grade 11~~

scope for technology june exam grade 9

scotts lawn tractor owner manual

scotts reel mower amazon

scooter service manual haynes

~~score summer catalog 2014~~

Nissan Car Tape Wiring Diagram :

selbstschädigung durch neurose psychotherapeutisc pdf - Oct 05 2022

web jun 12 2023 recognizing the mannerism ways to get this books selbstschädigung durch neurose psychotherapeutisc pdf is additionally useful you have remained in

[selbstschädigung durch neurose psychotherapeutisc](#) - Nov 06 2022

web 2 selbstschädigung durch neurose psychotherapeutisc 2020 12 09 peyote addiction and his correspondence with anthropologist and psychoanalyst georges devereux

zulassungsvoraussetzungen gesellschaft für neuropsychologie - Jun 01 2022

web grundlage sind die inhalte des 6 oder 8 semestrigen bachelorstudiums und des darauf folgenden 4 oder 2 semestrigen masterstudiums für die begutachtung ist dem

selbstschädigung durch neurose psychotherapeutisc pdf pdf - Aug 03 2022

web introduction selbstschädigung durch neurose psychotherapeutisc pdf pdf neuropsychology and behavioral neurology georg goldenberg 2008 06 05 this volume

selbstschädigung durch neurose psychotherapeutisc - Mar 30 2022

web jun 26 2023 selbstschädigung durch neurose psychotherapeutisc 1 1 downloaded from uniport edu ng on june 26 2023 by guest selbstschädigung durch neurose

selbstschädigung durch neurose psychotherapeutische wege - Sep 04 2022

web jun 3 2023 selbstschädigung durch neurose psychotherapeutische wege zur selbstverwirklichung by erwin ringel selbstschädigung durch neurose

selbstschädigung durch neurose psychotherapeutisc - Mar 10 2023

web 2 selbstschädigung durch neurose psychotherapeutisc 2020 09 16 the complex clinical and theoretical problems of cultural specificity in mental illness collective psychoses

[selbstschädigung durch neurose psychotherapeutisc pdf free](#) - Jun 13 2023

web introduction selbstschädigung durch neurose psychotherapeutisc pdf free influence and autonomy in psychoanalysis stephen a mitchell 2014 01 14 stephen a

suizid suizidalität und suizidgefahr in der - Dec 07 2022

web oct 24 2022 suizid suizidalität und suizidgefahr in der psychotherapie thomas schnura erklärt in diesem beitrag zur prüfungsvorbereitung psychotherapie wie man mit suizid

selbstschädigung durch neurose psychotherapeutisc - Jan 28 2022

web jan 27 2023 selbstschädigung durch neurose psychotherapeutisc 1 if you ally infatuation such a referred

selbstschädigung durch neurose psychotherapeutisc

[selbstschädigung durch neurose psychotherapeutisc pdf](#) - Jul 02 2022

web selbstschädigung durch neurose psychotherapeutisc pdf is available in our digital library an online access to it is set as public so you can get it instantly our books

selbstschädigung durch neurose psychotherapeutisc pdf - Sep 23 2021

web selbstschädigung durch neurose psychotherapeutisc pdf introduction selbstschädigung durch neurose psychotherapeutisc pdf download only der

[selbstschädigung durch neurose psychotherapeutisc](#) - Dec 27 2021

web jun 22 2023 selbstschädigung durch neurose psychotherapeutisc 1 1 downloaded from uniport edu ng on june 22 2023 by guest selbstschädigung durch neurose

[wann kann eine psychische erkrankung zum entzug des](#) - Jan 08 2023

web medikamenten zu berücksichtigen kann doch durch die pharmakologische therapie eine zeitweise fahruntüchtigkeit vorliegen in den akuten phasen einer schizophrenen

[selbstschädigung durch neurose psychotherapeutisc](#) - Nov 25 2021

web title selbstschädigung durch neurose psychotherapeutisc 2022 admision cbp edu pe author farmer gwendolyn subject ethnopsychiatry created date

[selbstschädigung durch neurose psychotherapeutisc download](#) - Jul 14 2023

web selbstschädigung durch neurose psychotherapeutisc the psychotherapeutic framing of psychedelic drug administration oct 09 2021 research in individual psychotherapy

[nöropsikiyatri bağımlılık beyin cerrahisi nîstanbul](#) - Feb 09 2023

web 5 nöropsikiyatri bağımlılık beyin cerrahisi 1 Şizofreni nedir Şizofreni kişiyi gerçeklerden dış dünyadan koparıp kendi içe

neuropsychologe psychologin karriere und weiterbildung karista - Feb 26 2022

web karriere und weiterbildung als neuropsychologe nach deiner neuropsychologie weiterbildung hast du unterschiedliche möglichkeiten was deine karriere als

selbstschädigung durch neurose psychotherapeutisc - Oct 25 2021

web may 16 2023 selbstschädigung durch neurose psychotherapeutisc 2 2 downloaded from uniport edu ng on may 16 2023 by guest interdisciplinary origins of transcultural

selbstschädigung durch neurose worldcat org - Aug 15 2023

web selbstschädigung durch neurose psychotherapeutische wege zur selbstverwirklichung worldcat org

selbstschädigung durch neurose psychotherapeutisc - May 12 2023

web 2 selbstschadigung durch neurose psychotherapeutisc 2020 07 29 stop overthinking 23 techniques to relieve stress stop negative spirals declutter your

selbstschadigung durch neurose psychotherapeutisc - Apr 11 2023

web selbstschadigung durch neurose psychotherapeutisc 1 3 downloaded from uniport edu ng on september 3 2023 by guest selbstschadigung durch neurose

selbstschadigung durch neurose psychotherapeutisc - Apr 30 2022

web selbstschadigung durch neurose psychotherapeutisc when somebody should go to the book stores search introduction by shop shelf by shelf it is in fact guide

ungerechtigkeit bedeutung definition □ **wortbedeutung** - Jan 28 2022

web beispiele automatisch ausgesuchte beispielsätze auf deutsch eine firma macht schluss mit der ungerechtigkeit bei den feiertagen mopo 20 september 2018 der behindertenbeauftragte dusel beklagt eine steuerliche ungerechtigkeit für betroffene dradio de 05 mai 2019 nach elf bundesligaspieltagen gibt es schon wieder eine *ungerechtigkeit im namen des volkes overdrive* - Aug 03 2022

web may 7 2019 wie gerecht ist deutschland leben wir in einer ungerechten gesellschaft weil ungerechtigkeit und verbrechen ungenügend bestraft werden wird die kriminalität in deutschland weiter steigen weil in deutschen gerichtssälen nachsicht und lasche vorurteile herrschen wird recht in deutschland eigentlich überall gleich gesprochen

ungerechtigkeit wikipedia - Mar 30 2022

web ungerechtigkeit ungerechtigkeit ist eine verletzung der gerechtigkeit zur ungerechtigkeit gehört auch das unterlassen einer pflichtgemäßen handlung heraklit macht die bestimmung der gerechtigkeit an den erfahrungen der ungerechtigkeit fest man hätte das wort gerechtigkeit nicht gekannt wenn es diese dinge nicht geben

ungerechtigkeit im namen des volkes ingo lenßen eurobuch - Jun 01 2022

web ungerechtigkeit im namen des volkes finden sie alle bücher von ingo lenßen bei der büchersuchmaschine eurobuch com können sie antiquarische und neubücher vergleichen und sofort zum bestpreis bestellen 9783833868252 deutschland's bekanntester strafjurist klagt angebundenes buch leben wir in einer ungerechten

ungerechtigkeit im namen des volkes deutschland's copy - Jan 08 2023

web ungerechtigkeit im namen des volkes deutschland's 3 3 demokratie der rechte von flüchtligen und anderen minderheiten wie auch um die ökologische modernisierung der gesellschaft an die stelle des alten rechts links dualismus ist heute ein neuer dualismus getreten der zwischen einem liberalen sozial ökologischen weltoffenen und einem

ingo lenßen ungerechtigkeit im namen des volkes strafakte de - Oct 05 2022

web may 7 2019 der präsident des bverfg nahm es in der sendung der ard im namen des volkes mit der wahrheit nicht ganz

so genau denn er wich vielen fragen und die auch nur lapidar gestellt wurden einfach aus art 1 gg die würde des menschen ist unantastbar diesen ersten rechtsartikel hat nicht nur das bundesverfassungsgericht nur einmal

ungerechtigkeit im namen des volkes von ingo lenßen bücher de - Sep 04 2022

web rechtsanwalt ingo lenßen hat mit ungerechtigkeit im namen des volkes ein buch geschrieben dass mehrere gerichtsverfahren und urteile beschreibt und dabei aufzeigt wie unterschiedlich gerichte vergleichbare strafaten bewertet

deutschlands ganz alltägliche ungerechtigkeit welt - May 12 2023

web aug 12 2007 in einer monatlichen umfrage des dimap instituts geben regelmäßig 50 bis 60 prozent der deutschen an dass sie die verhältnisse in ihrem land insgesamt als eher ungerecht empfinden es sind

ungerechtigkeit rechtschreibung bedeutung definition herkunft duden - Feb 26 2022

web definition rechtschreibung synonyme und grammatik von ungerechtigkeit auf duden online nachschlagen wörterbuch der deutschen sprache

gegenteil von ungerechtigkeit 4 gegensätze gegenteile net - Dec 27 2021

web gerechtigkeit gleichheit weitere gegenteile gegensätze zu ungerechtigkeit Übersichtlich angeordnet sortiert nach relevanz

ungerechtigkeit im namen des volkes ingo lenßen eurobuch - Apr 30 2022

web ungerechtigkeit im namen des volkes finden sie alle bücher von ingo lenßen bei der büchersuchmaschine eurobuch com können sie antiquarische und neubücher vergleichen und sofort zum bestpreis bestellen 9783833869358 deutschlands bekanntester strafjurist klagt an ebooks ebook download epub auflage

ingo lenßen ungerechtigkeit im namen des volkes deutschlands - Jun 13 2023

web ungerechtigkeit im namen des volkes deutschlands bekanntester strafjurist klagt an gräfe und unzer verlag münchen 2019 isbn 9783833868252 gebunden 192 seiten 19 99 eur gebraucht bei abebooks klappentext leben wir in einer ungerechten gesellschaft weil ungerechtigkeit und verbrechen ungenügend bestraft werden

ungerechtigkeit im namen des volkes thalia - Jul 14 2023

web mit ingo lenßens buch ungerechtigkeit im namen des volkes wollte ich mich quasi aufklären wie es zu solchen urteilen kommen kann dem autor ist es teilweise gelungen mich als laien mitzunehmen da alle fakten und ansichten gut strukturiert und vereinfacht dargestellt werden

ungerechtigkeit im namen des gma digital - Feb 09 2023

web ungerechtigkeit im namen des volkes deutschlands bekanntester strafjurist klagt an gräfe und unzer einzeltitel deutsch wie gerecht ist deutschland leben wir in einer ungerechten gesellschaft weil ungerechtigkeit und verbrechen ungenügend bestraft werden wird die kriminalität in deutschland weiter steigen weil in deutschen

ungerechtigkeit im namen des volkes weltbild - Mar 10 2023

web in ungerechtigkeit im namen des volkes deutschland's bekanntester strafjurist klagt an gewährt der aus den medien bekannte jurist ingo lenßen einen übersichtlichen und prägnanten einblick in die welt der strafgerichtsbarkeit hierbei beleuchtet er nahezu alle aspekte und seiten der thematik

ungerechtigkeit im namen des volkes google books - Dec 07 2022

web wie gerecht ist deutschland leben wir in einer ungerechten gesellschaft weil ungerechtigkeit und verbrechen ungenügend bestraft werden wird die kriminalität in deutschland weiter steigen weil in deutschen gerichtssälen nachsicht und lasche vorurteile herrschen wird recht in deutschland eigentlich überall gleich gesprochen

ungerechtigkeit im namen des volkes deutschland's - Aug 15 2023

web in ungerechtigkeit im namen des volkes deutschland's bekanntester strafjurist klagt an gewährt der aus den medien bekannte jurist ingo lenßen einen übersichtlichen und prägnanten einblick in die welt der strafgerichtsbarkeit

ungerechtigkeit im namen des volkes deutschland's - Jul 02 2022

web 2 ungerechtigkeit im namen des volkes deutschland's 2022 07 07 der widerstreit von raum und zeit verlag neuer weg zusammenfassung drei kinder streiten darüber wem von ihnen eine flöte gehören sollte

ungerechtigkeit im namen des volkes deutschland's - Nov 06 2022

web ungerechtigkeit im namen des volkes book read 2 reviews from the world's largest community for readers wie gerecht ist deutschland leben wir in eine

ungerechtigkeit im namen des volkes deutschland's - Apr 11 2023

web ungerechtigkeit im namen des volkes deutschland's bekanntester strafjurist klagt an lenßen ingo amazon.com tr kitap *louisiana notary exam sample questions adds explained answers* - Jan 27 2022

web aug 19 2022 1 1k views 9 months ago louisiana watch this video to learn how i tabbed my louisiana notary study guide please note that this is the 2021 version of

louisiana notary exam outline to the 2023 study guide a - Sep 22 2021

13 louisiana study guide notary pittsburgh post gazette - Oct 24 2021

fundamentals of louisiana notarial law and practice louisiana - Jul 13 2023

web fundamentals of louisiana notarial law and practice louisiana notary public examination official study guide 2013 edition worldcat.org

fundamentals of louisiana notarial law and practice the - Jan 07 2023

web the louisiana notary public examination official study guide 2020 published pursuant to la r s 35 191 1 b 2 by r kyle ardoin secretary of state 2020

louisiana notary exam outline to the 2023 study guide a - Nov 05 2022

web to get started finding 2013 louisiana study guide notary you are right to find our website which has a comprehensive collection of manuals listed our library is the

prepare for the notary exam louisiana secretary of state - Mar 09 2023

web search for louisiana notaries notary education provider information register as an education provider become a ron notary technology providers frequently asked

a simplified summary of the louisiana notary public study guide - May 11 2023

web the following changes apply to the 2013 edition of fundamentals of louisiana notarial law and practice the louisiana notary public examination official study guide for the

title 46 professional and occupational standards - Aug 14 2023

web commercial division lr 39 2784 october 2013 103 applications a notary applicant must be qualified by the notary division in the office of the secretary of state and must

louisiana notary exam sidepiece to the 2023 study guide - Mar 29 2022

web oct 22 2020 explanations are keyed to the 2020 or 2021 study guides but will work fine when a new edition is released professor childress author of louisiana notary

louisiana notary exam outline to the 2022 study - Apr 29 2022

web jan 31 2023 new 2023 edition of the best selling notary prep guide to the challenging louisiana exam keyed to the green 2023 state study guide the louisiana notary

louisiana notarial law notary public and - Dec 06 2022

web feb 3 2023 4 9 17 ratings see all formats and editions new edition for 2023 updated and expanded from the previous acclaimed book the louisiana notary public exam is

louisiana notary exam sidepiece to the 2023 study guide tips - Feb 25 2022

web sep 3 2022 watch this video as the first part in my series of videos where i read my notes pages from the louisiana notary study guide these are my personal notes whic

louisiana notary study guide notes pg 1 youtube - Dec 26 2021

web title 13 louisiana study guide notary author communityvoices post gazette com 2023 08 27t00 00 00 00 01 subject 13 louisiana study guide notary

how to prepare for your louisiana notary exam pro tips - Aug 02 2022

web legislation of interest major changes in title 35 notary id numbers notaries to file annual reports notary testing standardized statewide new signature requirements on recorded

louisiana notary exam outline to the 2023 study guide a - May 31 2022

web jan 28 2023 10 99 publisher description new 2023 edition of the best selling notary prep guide to the challenging louisiana exam the louisiana notary exam averages

how to tab the louisiana notary study guide youtube - Nov 24 2021

web feb 3 2023 new edition for 2023 now in a library quality hardcover edition updates and expands the previous acclaimed edition and is keyed to the current state study

louisiana notary public examination official study guide - Jul 01 2022

web feb 6 2023 overview new edition for 2023 updates and expands the previous edition and is keyed to the current state study guide the louisiana notary public

study guide 2013 errata 3 updated 7 24 13 louisiana - Apr 10 2023

web the 2023 edition of the louisiana notary public examination official study guide is now available for purchase the current edition of the study guide can be obtained from the

louisiana notary exam outline to the 2023 study guide a - Sep 03 2022

web practice for your louisiana notary exam with donotpay s help with our government test prep feature you ll find everything you need to prepare for your louisiana notary

prepare for the notary exam louisiana secretary of - Jun 12 2023

web feb 26 2021 the louisiana notary public exam is based on a 722 page study guide fundamentals of louisiana notarial law and practice but the official book is famously

2013 louisiana study guide notary sibole online - Oct 04 2022

web feb 3 2023 the louisiana notary public exam is based on a 722 page study guide fundamentals of louisiana notarial law and practice but the official book is famously

[purchase a study guide louisiana secretary of state](#) - Feb 08 2023

web updated 2 10 21 the following changes apply to the 2021 edition of fundamentals of louisiana notarial law and practice the louisiana notary public examination official