

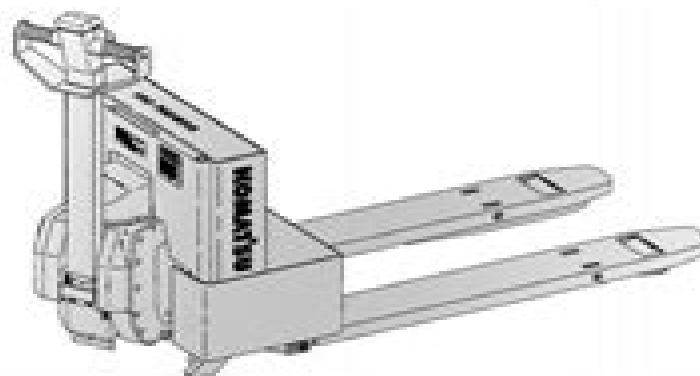
# MITSUBISHI

OM020A

## Operator's Manual

### MWL22-1A

Effective Serial Number MWL\_0027356\_000  
Electric Low Lift Pallet Truck



- ⚠ WARNING** Read and observe all warnings on this unit before operating it.
- ⚠ WARNING** **DO NOT** operate this equipment unless all factory installed guards and shields are properly secured in place.

Part no: K-302264-003

Date: May 19, 2000

# Operators Manual For Komatsu Forklift

**Yan Bai**



## **Operators Manual For Komatsu Forklift:**

Decisions United States. Federal Mine Safety and Health Review Commission,1996 *User's Manual to the International Annual Reports Collection* ,1988 User's Manual for the Microfiche D/international ... Document Collection ,1989 Moody's International Manual ,1997 *Transportation & Distribution* ,2002 The logistics management magazine *Internal Combustion Industrial Forklift Trucks from Japan* United States International Trade Commission,2000 **Index** ,1980 A permanent index compiled irregularly which cumulates all indexes for a given period and is not further updated National Crime Information Center operating manual ,1970 **Practitioner's Handbook on International Arbitration and Mediation - Third Edition** Richard Chernick,Daniel M. Kolkey,Barbara Reeves Neal,2012-04-01 The Practitioner s Handbook on International Arbitration and Mediation 3rd Edition is a unique work with each chapter written by a well known practitioner and expert in the field It covers each step of the international arbitration and mediation process and offers separate chapters that summarize the laws of leading arbitral venues This Handbook is intended to make the reader into a better practitioner or arbitrator mediator Moreover each chapter has been written to provide practical advice and guidance Unlike many works with multiple authors this work is not simply a collection of essays on a general subject This book is a unified work with cross references among the chapters and a consistent format throughout The Practitioner s Handbook is divided into three parts Part One describes in detail each step of the international arbitration process and offers tips Part Two deals with each step and facet of an international mediation Each of these chapters is filled with Practitioners Expert Commentary Part Three summarizes the laws of leading arbitral jurisdictions like Hong Kong England Switzerland and France These chapters give you detailed guidance on the laws governing international arbitration in that particular jurisdiction As a result the chapters in Part Three are a bit more technical as the authors realized that the reader would need citations to and commentary on the local arbitration statutes and rules The CD ROM that accompanies this Work contains relevant original source material that is germane to the text A review of the table of contents of the material contained on the CD ROM will acquaint you with the range of material covered **Beverage Industry Annual Manual** Beverage Industry,1990 **Forklift Safety** George Swartz,1999-06-01 Written for the more than 1 5 million powered industrial truck operators and supervisors in general industry as well as those in the construction and marine industries this Second Edition provides an updated guide to training operators in safety and complying with OSHA s 1999 forklift standard This edition of Forklift Safety includes a new chapter devoted to the new OSHA 1910 178 standard and new information regarding dock safety narrow aisle trucks off dock incidents tip over safety pallet safety and carbon monoxide **Federal Register** ,2005-10 *Beverage Industry Annual Manual* ,1988 **Purchasing Raising Quality To The Next Level** ,1992 *Japan Company Handbook* ,2002 *Decisions and Orders of the National Labor Relations Board* United States. National Labor Relations Board,1992-04 Materials Handling News ,2003 **TOP Bulletin** ,1979 Official Gazette of the United

States Patent and Trademark Office ,1994

*Business Review* ,1992-07

The Captivating World of Kindle Books: A Comprehensive Guide Unveiling the Advantages of E-book Books: A World of Convenience and Flexibility Kindle books, with their inherent portability and simplicity of access, have freed readers from the constraints of hardcopy books. Gone are the days of carrying cumbersome novels or meticulously searching for specific titles in shops. E-book devices, sleek and lightweight, effortlessly store an wide library of books, allowing readers to indulge in their favorite reads anytime, everywhere. Whether commuting on a bustling train, relaxing on a sun-kissed beach, or simply cozying up in bed, E-book books provide an exceptional level of convenience. A Literary World Unfolded: Exploring the Vast Array of Kindle Operators Manual For Komatsu Forklift Operators Manual For Komatsu Forklift The E-book Shop, a virtual treasure trove of bookish gems, boasts an extensive collection of books spanning varied genres, catering to every readers preference and preference. From captivating fiction and thought-provoking non-fiction to timeless classics and contemporary bestsellers, the E-book Shop offers an exceptional variety of titles to explore. Whether seeking escape through engrossing tales of fantasy and exploration, delving into the depths of historical narratives, or broadening ones knowledge with insightful works of scientific and philosophical, the Kindle Shop provides a doorway to a literary universe brimming with limitless possibilities. A Game-changing Force in the Bookish Scene: The Persistent Influence of Kindle Books Operators Manual For Komatsu Forklift The advent of E-book books has undoubtedly reshaped the literary landscape, introducing a model shift in the way books are published, distributed, and consumed. Traditional publishing houses have embraced the digital revolution, adapting their strategies to accommodate the growing need for e-books. This has led to a rise in the accessibility of E-book titles, ensuring that readers have access to a vast array of literary works at their fingers. Moreover, Kindle books have democratized access to books, breaking down geographical barriers and offering readers worldwide with equal opportunities to engage with the written word. Irrespective of their place or socioeconomic background, individuals can now immerse themselves in the intriguing world of books, fostering a global community of readers. Conclusion: Embracing the Kindle Experience Operators Manual For Komatsu Forklift E-book books Operators Manual For Komatsu Forklift, with their inherent convenience, flexibility, and vast array of titles, have unquestionably transformed the way we encounter literature. They offer readers the freedom to discover the boundless realm of written expression, anytime, anywhere. As we continue to navigate the ever-evolving online landscape, E-book books stand as testament to the enduring power of storytelling, ensuring that the joy of reading remains reachable to all.

<https://crm.avenza.com/About/publication/default.aspx/origine%20du%20nom%20de%20famille%20chiapello%20oeuvres%20courtes.pdf>

## **Table of Contents Operators Manual For Komatsu Forklift**

1. Understanding the eBook Operators Manual For Komatsu Forklift
  - The Rise of Digital Reading Operators Manual For Komatsu Forklift
  - Advantages of eBooks Over Traditional Books
2. Identifying Operators Manual For Komatsu Forklift
  - Exploring Different Genres
  - Considering Fiction vs. Non-Fiction
  - Determining Your Reading Goals
3. Choosing the Right eBook Platform
  - Popular eBook Platforms
  - Features to Look for in an Operators Manual For Komatsu Forklift
  - User-Friendly Interface
4. Exploring eBook Recommendations from Operators Manual For Komatsu Forklift
  - Personalized Recommendations
  - Operators Manual For Komatsu Forklift User Reviews and Ratings
  - Operators Manual For Komatsu Forklift and Bestseller Lists
5. Accessing Operators Manual For Komatsu Forklift Free and Paid eBooks
  - Operators Manual For Komatsu Forklift Public Domain eBooks
  - Operators Manual For Komatsu Forklift eBook Subscription Services
  - Operators Manual For Komatsu Forklift Budget-Friendly Options
6. Navigating Operators Manual For Komatsu Forklift eBook Formats
  - ePub, PDF, MOBI, and More
  - Operators Manual For Komatsu Forklift Compatibility with Devices
  - Operators Manual For Komatsu Forklift Enhanced eBook Features
7. Enhancing Your Reading Experience
  - Adjustable Fonts and Text Sizes of Operators Manual For Komatsu Forklift
  - Highlighting and Note-Taking Operators Manual For Komatsu Forklift
  - Interactive Elements Operators Manual For Komatsu Forklift

8. Staying Engaged with Operators Manual For Komatsu Forklift
  - Joining Online Reading Communities
  - Participating in Virtual Book Clubs
  - Following Authors and Publishers Operators Manual For Komatsu Forklift
9. Balancing eBooks and Physical Books Operators Manual For Komatsu Forklift
  - Benefits of a Digital Library
  - Creating a Diverse Reading Collection Operators Manual For Komatsu Forklift
10. Overcoming Reading Challenges
  - Dealing with Digital Eye Strain
  - Minimizing Distractions
  - Managing Screen Time
11. Cultivating a Reading Routine Operators Manual For Komatsu Forklift
  - Setting Reading Goals Operators Manual For Komatsu Forklift
  - Carving Out Dedicated Reading Time
12. Sourcing Reliable Information of Operators Manual For Komatsu Forklift
  - Fact-Checking eBook Content of Operators Manual For Komatsu Forklift
  - Distinguishing Credible Sources
13. Promoting Lifelong Learning
  - Utilizing eBooks for Skill Development
  - Exploring Educational eBooks
14. Embracing eBook Trends
  - Integration of Multimedia Elements
  - Interactive and Gamified eBooks

### **Operators Manual For Komatsu Forklift Introduction**

Operators Manual For Komatsu Forklift Offers over 60,000 free eBooks, including many classics that are in the public domain. Open Library: Provides access to over 1 million free eBooks, including classic literature and contemporary works. Operators Manual For Komatsu Forklift Offers a vast collection of books, some of which are available for free as PDF downloads, particularly older books in the public domain. Operators Manual For Komatsu Forklift : This website hosts a vast collection of scientific articles, books, and textbooks. While it operates in a legal gray area due to copyright issues, its a

popular resource for finding various publications. Internet Archive for Operators Manual For Komatsu Forklift : Has an extensive collection of digital content, including books, articles, videos, and more. It has a massive library of free downloadable books. Free-eBooks Operators Manual For Komatsu Forklift Offers a diverse range of free eBooks across various genres. Operators Manual For Komatsu Forklift Focuses mainly on educational books, textbooks, and business books. It offers free PDF downloads for educational purposes. Operators Manual For Komatsu Forklift Provides a large selection of free eBooks in different genres, which are available for download in various formats, including PDF. Finding specific Operators Manual For Komatsu Forklift, especially related to Operators Manual For Komatsu Forklift, might be challenging as they're often artistic creations rather than practical blueprints. However, you can explore the following steps to search for or create your own Online Searches: Look for websites, forums, or blogs dedicated to Operators Manual For Komatsu Forklift, Sometimes enthusiasts share their designs or concepts in PDF format. Books and Magazines Some Operators Manual For Komatsu Forklift books or magazines might include. Look for these in online stores or libraries. Remember that while Operators Manual For Komatsu Forklift, sharing copyrighted material without permission is not legal. Always ensure you're either creating your own or obtaining them from legitimate sources that allow sharing and downloading. Library Check if your local library offers eBook lending services. Many libraries have digital catalogs where you can borrow Operators Manual For Komatsu Forklift eBooks for free, including popular titles. Online Retailers: Websites like Amazon, Google Books, or Apple Books often sell eBooks. Sometimes, authors or publishers offer promotions or free periods for certain books. Authors Website Occasionally, authors provide excerpts or short stories for free on their websites. While this might not be the Operators Manual For Komatsu Forklift full book, it can give you a taste of the authors writing style. Subscription Services Platforms like Kindle Unlimited or Scribd offer subscription-based access to a wide range of Operators Manual For Komatsu Forklift eBooks, including some popular titles.

### **FAQs About Operators Manual For Komatsu Forklift Books**

How do I know which eBook platform is the best for me? Finding the best eBook platform depends on your reading preferences and device compatibility. Research different platforms, read user reviews, and explore their features before making a choice. Are free eBooks of good quality? Yes, many reputable platforms offer high-quality free eBooks, including classics and public domain works. However, make sure to verify the source to ensure the eBook credibility. Can I read eBooks without an eReader? Absolutely! Most eBook platforms offer web-based readers or mobile apps that allow you to read eBooks on your computer, tablet, or smartphone. How do I avoid digital eye strain while reading eBooks? To prevent digital eye strain, take regular breaks, adjust the font size and background color, and ensure proper lighting while reading eBooks.



What the advantage of interactive eBooks? Interactive eBooks incorporate multimedia elements, quizzes, and activities, enhancing the reader engagement and providing a more immersive learning experience. Operators Manual For Komatsu Forklift is one of the best book in our library for free trial. We provide copy of Operators Manual For Komatsu Forklift in digital format, so the resources that you find are reliable. There are also many Ebooks of related with Operators Manual For Komatsu Forklift. Where to download Operators Manual For Komatsu Forklift online for free? Are you looking for Operators Manual For Komatsu Forklift PDF? This is definitely going to save you time and cash in something you should think about.

**Find Operators Manual For Komatsu Forklift :**

*origine du nom de famille chiapello oeuvres courtes*

*[origine du nom de famille burnouf oeuvres courtes](#)*

*origine du nom de famille gaucher oeuvres courtes*

*[origine du nom de famille faugere oeuvres courtes](#)*

***origine du nom de famille gaudefroy oeuvres courtes***

*origine du nom de famille duplessis oeuvres courtes*

*origine du nom de famille gaudy oeuvres courtes*

*[origine du nom de famille aussel oeuvres courtes](#)*

*[origine du nom de famille barreau oeuvres courtes](#)*

*origine du nom de famille eudeline oeuvres courtes*

*[origine du nom de famille jeacutezeacutequel oeuvres courtes](#)*

***origine du nom de famille koehl oeuvres courtes***

***origine du nom de famille lavenu oeuvres courtes***

***origine du nom de famille duvignau oeuvres courtes***

*origine du nom de famille castro oeuvres courtes*

**Operators Manual For Komatsu Forklift :**

*[pinned zxr250 a model keihin cvk30 carb jetting and settings](#) - Jul 08 2022*

*web mar 25 2020 [pinned zxr250 a model keihin cvk30 carb jetting and settings](#) discussion in kawasaki 250cc in line 4 s started by greyimport apr 18 2018 page 1 of 2 1 2 next greyimport administrator staff member the chief contributing member messages 10 817 likes received 6 622 trophy points 1 168 joined jun 14 2012*

*home keihin carburetors rebuild kits - May 06 2022*

web keihin carburetors rebuild kits large selection discount prices on keihin carburetors rebuild kits parts

**30mm keihin carburetors rebuild kits - Mar 04 2022**

web apr 25 2021 tc motor 30mm carb pz30 acceleration pump carburetor for 200cc 250cc engine pit dirt motor bike motorcycle atv quad 4 wheeler fits keihin 30mm carb pz30 read more motorcycle cvk 30mm carburetor carb moped for keihin gy6 150cc 200cc 250cc engine scooter atv

amazon com jfg racing cvk 30mm cvk30 carb carburetor - Dec 13 2022

web jul 7 2017 shop amazon for jfg racing cvk 30mm cvk30 carb carburetor moped motor motorcycle atv scooter with gy6 150cc 250cc 200cc engine and find millions of items delivered faster than ever

**keihin cvk30 cvk 30 30mm 250cc 4 stroke atv scooter carburetor - Jun 19 2023**

web keihin cvk30 cvk 30 30mm 250cc 4 stroke atv scooter carburetor offered by china manufacturer ruibang buy keihin cvk30 cvk 30 30mm 250cc 4 stroke atv scooter carburetor directly with low price and high quality

amazon com cvk carburetor - Apr 17 2023

web carmoeignin pro carb rebuild kit copper mixture screw for keihin cv cvk carbs for harley big twin 1990 1999 twin cam 1999 2006 sportster xl 883 1200 1988 2006 for kawasaki klm cvk40 cvk36 cvk34 788 save 10 with coupon free delivery sun sep 24 on 25 of items shipped by amazon

cvk carburetor tuning tips it still runs - Aug 09 2022

web the cvk carburetor is produced by japanese manufacturer keihin whose name is derived from the second character of the word tokyo for several motorcycle brands including kawasaki although it was primarily designed for low production cost the cvk has a track history of good performance easy maintenance

*china keihin cvk30 carburetor manufacturers keihin cvk30 carburetor - Sep 10 2022*

web keihin cvk30 carburetor for keihin cvk30 carburetor everyone has different special concerns about it and what we do is to maximize the product requirements of each customer so the quality of our keihin cvk30 carburetor has been well received by many customers and enjoyed a good reputation in many countries

**keihin cvk carburetor parts and rebuild kits dellorto shop - Aug 21 2023**

web on this page you will find all currently available parts for the keihin cvk range carburetors we are still very much expanding our parts offerings for these carburetors so please contact us by email if the part that you are looking for is not yet listed

**keihin cvk30 carburetors crooover - Nov 12 2022**

web get your next keihin cvk30 directly via crooover japan the largest marketplace for used auto parts worry free

worldwide shipping detail entrance about 30 2 mm exit about 30 mm injection car cebu 400 cab

**keihin cv carburetor parts zodiac** - Jun 07 2022

web keihin cv carburetor parts we stock most replacement parts for the keihin 40mm cv constant vacuum carburetor including the rubber membrane for the throttle slide and a screw to adjust the air fuel mixture parts that even harley davidson does not supply

*keihin cvk carburetor motorcycle equipments parts aliexpress* - Oct 11 2022

web 2 pcs for mikuni bst33 bmw f650 1993 2000 suzuki 1989 2000 gs500e motorcycle carburetor repair kit carb float vacuum diaphragms free shipping shop912072135 store us 4 97 extra 2 off with coins 900 sold 4 9

**carburetor keihin cvk 26 cvk30 membrane with piston genuine japan** - Mar 16 2023

web find many great new used options and get the best deals for carburetor keihin cvk 26 cvk30 membrane with piston genuine japan at the best online prices at ebay free shipping for many products

*cvk30 carburetor parts shop* - Apr 05 2022

web may 28 2018 jfg racing cvk 30mm cvk30 carb carburetor moped motor motorcycle atv scooter gy6 150cc 200cc 250cc keihin 100 brand new never mounted high quality keihin read more

cvk 30mm cvk30 carb carburetor moped motor motorcycle atv - Jan 14 2023

web dec 19 2018 cvk 30mm cvk30 carb carburetor moped motor motorcycle atv scooter gy6 150cc 200cc 250cc keihin 100 brand new never mounted high quality keihin replacement carburetor intake inner 30mm material aluminum

**keihin cvk30 carburetor kawasaki motorcycle forums** - Jul 20 2023

web feb 15 2021 1 feb 14 2021 anyone know where i can get a keihin cvk30 carburetor rebuild kit reply quote 1 5 of 5 posts c coreyclough 78 posts joined 2008 2 feb 14 2021 ebay k l makes the kits the same kit works on the 85 92 zx600 a b c models free gpz550 manual tinyurl com 3lmtj35 gpz550 com

keihin cvk carburetor rebuild youtube - May 18 2023

web jan 21 2014 502k views 4 years ago instagram instagram com kostass dimou hl elkeihin cvk carburetor rebuild

**replacing main jets in keihin cvk30 carburetors youtube** - Feb 15 2023

web today i show you the basics of replacing jets in keihin cvk carbies the bike is a 1991 kawasaki zr250a balius i m a diesel mechanic by trade and i work on

**cvk30 keihin carburetors rebuild kits** - Oct 23 2023

web dec 19 2018 jfg racing cvk 30mm cvk30 carb carburetor moped motor motorcycle atv scooter gy6 150cc 200cc 250cc keihin august 31 2018 carbguys carburetors jfg racing cvk 30mm cvk30 carb carburetor moped motor motorcycle atv scooter gy6 150cc 200cc 250cc keihin 100 brand new never mounted high quality

*cvk 30mm cvk30 carb carburetor moped motor motorcycle atv scooter - Sep 22 2023*

web apr 14 2018 buy cvk 30mm cvk30 carb carburetor moped motor motorcycle atv scooter gy6 150cc 200cc 250cc carburetors amazon com free delivery possible on eligible purchases

[toyota altezza manuals toyota](#) - Sep 21 2023

web altezza s 1998 2005 toyota altezza lexus is200 service manual pdf toyota altezza and lexus is200 service and user s manual user s manuals 27 1 mb russian 353

**diagram toyota altezza workshop wiring diagram youtube** - Aug 20 2023

web may 20 2023 13 2k subscribers no views 1 minute ago toyota altezza workshop wiring diagram toyota altezza workshop wiring harness toyota altezza workshop

**urgent need of altezza 3sge wiring diagrams high performance** - Feb 14 2023

web apr 25 2020 i need some help getting a hold of wiring diagrams for this sxe10 altezza rhd doing a elite 1500 install but i need the wiring diagram to combine with existing

[toyota altezza wiring diagrams engine diagram esource svb](#) - Feb 02 2022

web toyota altezza wiring diagrams engine diagram 1 toyota altezza wiring diagrams engine diagram toyota service workshop manuals owners manual pdf download

**toyota altezza 3sge installation manual link engine** - Jun 18 2023

web 1 remove the factory ecu from the vehicle ensure the key is in the off position the factory altezza ecu is located in the engine bay on the left side of the vehicle remove

**toyota altezza lexus is200 1998 2005 service manual** - Mar 15 2023

web aug 11 2008 guide to car repair and maintenance as well as the operation of the car toyota altezza lexus is200 1998 2005 with 1 g fe petrol engines 2 0 l vvt i and

**toyota 3s ge repair manual pdf download manualslib** - Jan 13 2023

web view and download toyota 3s ge repair manual online 3s ge engine pdf manual download also for 3s gte 5s fe

**toyota electrical wiring diagram autoshop 101** - Apr 16 2023

web understanding toyota wiring diagrams worksheet 1 describe the meaning of the c13 in the diagram component q describe the meaning of the g w in

[toyota fuse and relay diagrams free pdf s](#) - May 05 2022

web aug 8 2023 here you will find toyota fuse box diagrams relay and fitting locations pdf free download toyota alphard vellfire auris avalon avensis camry carina

*toyota altezza rs200 dash wiring diagram fixya* - Jun 06 2022

web i need a wiring diagram for my altezza rs200 hi click the link i believe that is what your after scroll down the page is shows what wires are for what hope this helps good luck

*sxe10 altezza 3s ge engine control sq engineering* - Oct 22 2023

web nov 3 2018 sxe10 3s ge engine control electrical parts location sxe10 3s ge summary engine control electrical wiring diagram sxe10 3s ge engine control ecu pin configuration inspection item terminal terminal no input

*toyota altezza wiring diagrams engine diagram* - Nov 30 2021

web aug 25 2023 web toyota altezza wiring diagrams engine diagram how to how to find a short in your car wiring a 1uzfe engine on the ground crank sensor quick fix free lexus

*wiring diagram needed for 2000 toyota altezza rms motoring* - Jul 19 2023

web jan 29 2013 i need a wiring diagram for my 2000 toyota altezza from the ignition barrel if possible tia hayley xx

*altezzalink wiring config questions g4x link engine* - Apr 04 2022

web dec 20 2021 i m doing a bit more digging to find an altezza diagram i can compare the link pinout against just to give a bit more info on this the multiplex is a single wire

**fuse box diagram lexus is 200 toyota altezza and relay with** - Oct 10 2022

web in this article we will show a description of fuses and relays toyota altezza lexus is200 with box diagrams and photo examples of their execution highlight the cigarette lighter

**altezza as200 beams 2000 is200 wiring help lexus owners** - Sep 09 2022

web feb 28 2013 toyota altezza as200 lexus is200 wiring help ok got a toyota altezza as200 beams 2000 other week this is the 1gfe beams engine 2litre straight six as far as

*toyota altezza wiring diagrams engine diagram 2023* - Jan 01 2022

web toyota altezza wiring diagrams engine diagram toyota altezza wiring diagrams engine diagram 2 downloaded from learn copyblogger com on 2021 03 04 by guest

**toyota wiring diagram wiring how** - Mar 03 2022

web nov 4 2023 a toyota wiring diagram is a schematic representation of the electrical system in your vehicle it shows the location of all of the electrical components as well

[need help need a toyota altezza manual wire diagram](#) - May 17 2023

web dec 4 2014 help with wire diagram i have the 3s ge motor installed but i am using the altezza wire harness and all of the pins on the jap harness are diffrent from the u s my

**sxe10 service manual pdf toyota motor vehicle scribd** - Nov 11 2022

web toyota toyota altezza sxe10 3sge wiring diagrams toyota toyota altezza sxe10 3sge wiring diagrams ultra speed ultra

speed meter service manual standard sxe10

**2002 toyota altezza the12volt com** - Aug 08 2022

web jun 24 2008 2002 toyota altezza can anyone supply me with a detail wiring diagram for this vehicle i want to install new autopage 1000 as well as new speakers rear six

*motordata model catalog toyota* - Dec 12 2022

web wiring diagrams ecu pinout check procedures location diagram fuses and relays connectors engine management and transmission control system

*wiring diaghram for the toyota altezza with the 1g fe engine* - Jul 07 2022

web wiring diaghram for the toyota altezza with the 1g fe engine answered by a verified toyota mechanic

*answers hodder education* - Jul 14 2023

web cambridge checkpoint mathematics revision guide for the cambridge secondary 1 test answers place value ordering and rounding check your understanding 1 1 623 652

math checkpoint no 1 pdf scribd - Apr 11 2023

web paper stage 9 cambridge primary checkpoint chapter 1 relations and functions chapter 2 inverse trigonometric functions chapter 3

cambridge checkpoint mathematics coursebook 8 answers pdf - Oct 25 2021

**mathematics lessons checkpoint past papers** - Mar 10 2023

web cambridge secondary 1 checkpoint mathematics 1112 01 paper 1 for examination from 2014 specimen paper 1 hour candidates answer on the question paper

**2021 checkpoint mathematics questions** - May 12 2023

web math checkpoint no 1 free ebook download as pdf file pdf or read book online for free a preparatory book for a student who is preparing for cambridge checkpoint

**cambridge secondary checkpoint past** - Feb 09 2023

web apr 1 2020 calculation decimal number 1 b1 award 1 mark for 2 or 3 answers 13 2 6 5 6 correct 2 2 4 accept equivalent mixed numbers 32 5 6 4 6 or 6 5 10 75 3 e g 5 23

**cambridge checkpoint mathematics coursebook answers 8 f** - Nov 25 2021

*maths resources study maths cambridge university press* - Feb 26 2022

web iii term 5 position number 1 iv look for evidence of students checks c i add 1 ii iii term position number 7 iv look for

evidence of students checks 4 yes check

**checkpoint maths mod 1 answers** - Dec 27 2021

web cambridge checkpoint mathematics written by well respected authors the cambridge checkpoint mathematics suite provides a comprehensive structured resource which

**october paper 1 2022 mathematics cambridge checkpoint** - Jan 28 2022

web free essays homework help flashcards research papers book reports term papers history science politics

*cambridge primary checkpoint mathematics 0845 april 2021* - Jul 02 2022

web checkpoint mathematics past questions and solutions 2019 april paper 1 checkpoint mathematics past questions and solutions 2019 april paper 2 checkpoint

cambridge lower secondary checkpoint mathematics hodder - Sep 04 2022

web cambridge primary checkpoint mathematics 0845 01 paper 1 april 2020 45 minutes you must answer on the question paper you will need protractor tracing paper

**checkpoint answers edmaths** - Mar 30 2022

web checkpoint maths mod 1 answers 1 72 198 2 25 counters 3 a p 8 t 29 b t 7p 6 4 14 5 a 111 b an exterior angle of a triangle is equal to the sum of two

**solutions to workbook exercises hodder education** - Aug 15 2023

web a i 13 000 ii 12 700 iii 12 670 b i 9000 ii 9000 iii 8970 c i 316 000 ii 315 800 iii 315 780 d i 33 000 ii 33 400 iii 33 440 60 exercise 1 3 a 4 6 b 6 4 c 0 4 d 11 5 e

cambridge checkpoint maths student s book 1 textbook - Jun 13 2023

web cambridge checkpoint maths student s book 1 textbook solutions from chegg view all supported editions

cambridge international examinations cambridge secondary 1 - Apr 30 2022

web october paper 1 2022 mathematics

**cambridge international examinations cambridge secondary 1** - Jan 08 2023

web checkpointanswers com

**secondary checkpoint mathematics past papers the maths mann** - Aug 03 2022

web cambridge secondary 1 checkpoint mathematics 1112 02 paper 2 for examination from 2014 specimen paper 1 hour candidates answer on the question paper

**checkpointanswers com** - Nov 06 2022

web mark schemes specimen paper 1 specimen paper 2 2013 question papers paper 1 part 1 paper 1 part 2 paper 2 part 1 paper 2 part 2 mark schemes sorry i do not

**checkpoint secondary 1 maths paper 1 april** - Oct 05 2022

web cambridge primary checkpoint mathematics 0845 april 2021 paper 1 question read online for free  
maths resources study maths cambridge university press - Sep 23 2021

cambridge primary checkpoint mathematics 0845 april 2020 - Jun 01 2022

web written by well respected authors the cambridge checkpoint mathematics suite provides a comprehensive structured resource which covers the full cambridge secondary 1

cambridge primary checkpoint mathematics 0845 april 2020 - Dec 07 2022

web revision guide student s book 7 e inspection available student s book 8 e inspection available student s book 9 e  
inspection available boost ebooks use the latest