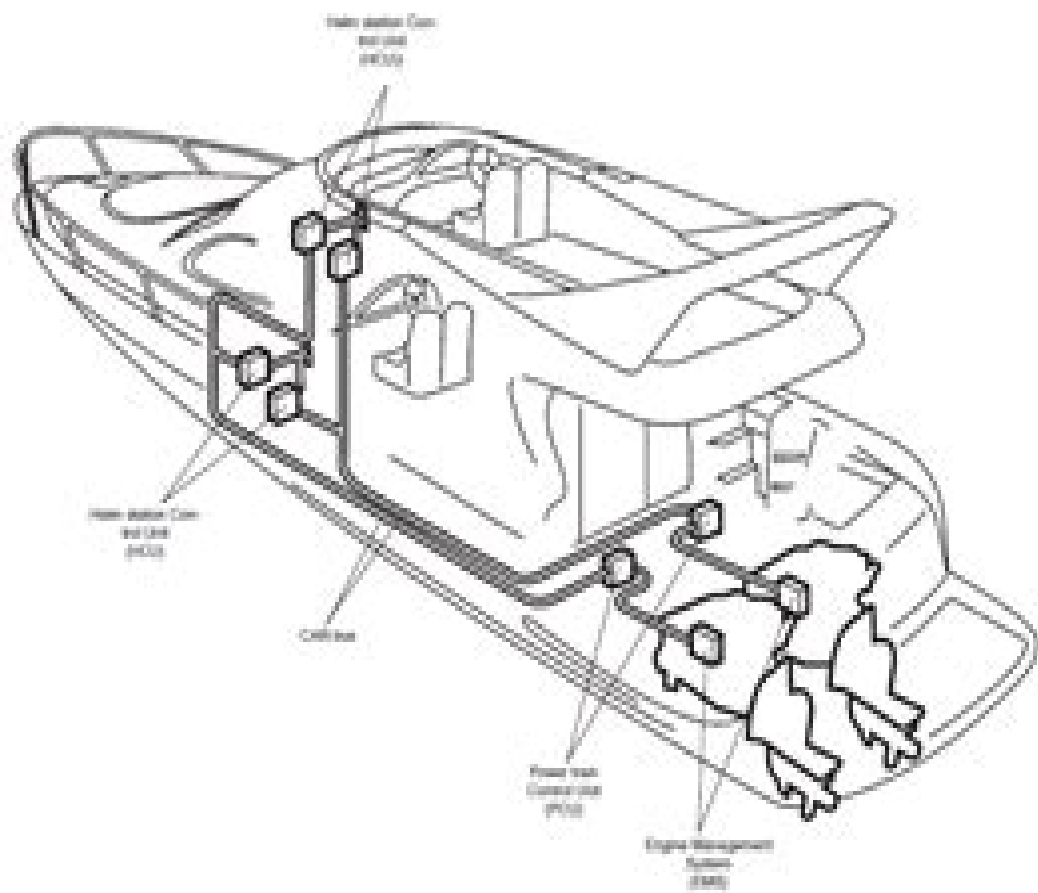


Page Thumbnails X



Engine Management and EVC system



Operators Manual Volvo Penta D6

Volvo Penta



Operators Manual Volvo Penta D6:

Whitaker's Cumulative Book List ,1980 **Boating** ,1998-07 **Operator's Manual, FE 6-Fe 7 Series, Volvo** ,1986

Volvo Penta (Seloc) Seloc,2008 This manual covers the topics that a factory service manual designed for factory trained mechanics and a manufacturer owner s manual designed more by lawyers than boat owners these days covers It will take you through the basics of maintaining and repairing your motor step by step to help you understand what the factory trained mechanics already know by heart Page 1 2 **Volvo Penta Service & Overhaul Manual** Alan T. Burgess,1976

Operator's Manual ,1989 **VOLVO PENTA MD 11C, C, MD 17C, D** Volvo Penta,2014-03-01 Operator's Manual ,1988 *Operator's Manual and Parts Catalog* Norseman Marine,195? **VOLVO PENTA MD 5** Volvo Penta,2015-04-13

Volvo S40 and V50 Diesel Owner's Workshop Manual, 07-13 Chris Randall,2016-10 **VOLVO PENTA MD2010, MD2020, MD2030, MD2040** Volvo Penta,2014-03-02 *Volvo Penta Service and Overhaul Manual* A. T. Burgess,1994

Seloc's Volvo Penta Stern Drive Joan Coles,Clarence W. Coles,1984 Operator's Manual ,1990 *Volvo-Penta Stern Drives, 1992-93* Joan Coles,Clarence W. Coles,1998-03 SELOC Marine maintenance and repair manuals offer the most comprehensive authoritative information available for outboard inboard stern drive and diesel engines as well as personal watercraft SELOC has been the leading source of how to information for the marine industry since 1974 Designed and written to serve the needs of the professional mechanic do it yourself boat enthusiast instructor and student these manuals are based on actual teardowns done by Chilton Marine s editors authors in our on site facility Providing complete coverage on everything from basic maintenance to engine overhaul every manual features Simple to follow step by step illustrated procedures Hundreds of exploded drawings photographs and tables Troubleshooting sections accurate specifications and wiring diagrams Recognized and used by technical trade schools as well as the U S military Covers all Single SP and Duo Prop DP models powered by Volvo 4 cylinder engines Over 750 illustrations **Workshop Manual** ,1985 Pub no 77300424

Operator's Manual ,1990 Operating Manual for M.A.N. - Diesel Engines KZ 57180 ,1986 **Workshop Manual** ,1984

Discover tales of courage and bravery in Crafted by is empowering ebook, Stories of Fearlessness: **Operators Manual Volvo Penta D6** . In a downloadable PDF format (Download in PDF: *), this collection inspires and motivates. Download now to witness the indomitable spirit of those who dared to be brave.

<https://crm.avenza.com/files/browse/Documents/Panasonic%20Plasma%20Remote%20Codes.pdf>

Table of Contents Operators Manual Volvo Penta D6

1. Understanding the eBook Operators Manual Volvo Penta D6
 - The Rise of Digital Reading Operators Manual Volvo Penta D6
 - Advantages of eBooks Over Traditional Books
2. Identifying Operators Manual Volvo Penta D6
 - Exploring Different Genres
 - Considering Fiction vs. Non-Fiction
 - Determining Your Reading Goals
3. Choosing the Right eBook Platform
 - Popular eBook Platforms
 - Features to Look for in an Operators Manual Volvo Penta D6
 - User-Friendly Interface
4. Exploring eBook Recommendations from Operators Manual Volvo Penta D6
 - Personalized Recommendations
 - Operators Manual Volvo Penta D6 User Reviews and Ratings
 - Operators Manual Volvo Penta D6 and Bestseller Lists
5. Accessing Operators Manual Volvo Penta D6 Free and Paid eBooks
 - Operators Manual Volvo Penta D6 Public Domain eBooks
 - Operators Manual Volvo Penta D6 eBook Subscription Services
 - Operators Manual Volvo Penta D6 Budget-Friendly Options
6. Navigating Operators Manual Volvo Penta D6 eBook Formats

- ePub, PDF, MOBI, and More
 - Operators Manual Volvo Penta D6 Compatibility with Devices
 - Operators Manual Volvo Penta D6 Enhanced eBook Features
7. Enhancing Your Reading Experience
 - Adjustable Fonts and Text Sizes of Operators Manual Volvo Penta D6
 - Highlighting and Note-Taking Operators Manual Volvo Penta D6
 - Interactive Elements Operators Manual Volvo Penta D6
 8. Staying Engaged with Operators Manual Volvo Penta D6
 - Joining Online Reading Communities
 - Participating in Virtual Book Clubs
 - Following Authors and Publishers Operators Manual Volvo Penta D6
 9. Balancing eBooks and Physical Books Operators Manual Volvo Penta D6
 - Benefits of a Digital Library
 - Creating a Diverse Reading Collection Operators Manual Volvo Penta D6
 10. Overcoming Reading Challenges
 - Dealing with Digital Eye Strain
 - Minimizing Distractions
 - Managing Screen Time
 11. Cultivating a Reading Routine Operators Manual Volvo Penta D6
 - Setting Reading Goals Operators Manual Volvo Penta D6
 - Carving Out Dedicated Reading Time
 12. Sourcing Reliable Information of Operators Manual Volvo Penta D6
 - Fact-Checking eBook Content of Operators Manual Volvo Penta D6
 - Distinguishing Credible Sources
 13. Promoting Lifelong Learning
 - Utilizing eBooks for Skill Development
 - Exploring Educational eBooks
 14. Embracing eBook Trends
 - Integration of Multimedia Elements
 - Interactive and Gamified eBooks

Operators Manual Volvo Penta D6 Introduction

In today's digital age, the availability of Operators Manual Volvo Penta D6 books and manuals for download has revolutionized the way we access information. Gone are the days of physically flipping through pages and carrying heavy textbooks or manuals. With just a few clicks, we can now access a wealth of knowledge from the comfort of our own homes or on the go. This article will explore the advantages of Operators Manual Volvo Penta D6 books and manuals for download, along with some popular platforms that offer these resources. One of the significant advantages of Operators Manual Volvo Penta D6 books and manuals for download is the cost-saving aspect. Traditional books and manuals can be costly, especially if you need to purchase several of them for educational or professional purposes. By accessing Operators Manual Volvo Penta D6 versions, you eliminate the need to spend money on physical copies. This not only saves you money but also reduces the environmental impact associated with book production and transportation. Furthermore, Operators Manual Volvo Penta D6 books and manuals for download are incredibly convenient. With just a computer or smartphone and an internet connection, you can access a vast library of resources on any subject imaginable. Whether you're a student looking for textbooks, a professional seeking industry-specific manuals, or someone interested in self-improvement, these digital resources provide an efficient and accessible means of acquiring knowledge. Moreover, PDF books and manuals offer a range of benefits compared to other digital formats. PDF files are designed to retain their formatting regardless of the device used to open them. This ensures that the content appears exactly as intended by the author, with no loss of formatting or missing graphics. Additionally, PDF files can be easily annotated, bookmarked, and searched for specific terms, making them highly practical for studying or referencing. When it comes to accessing Operators Manual Volvo Penta D6 books and manuals, several platforms offer an extensive collection of resources. One such platform is Project Gutenberg, a nonprofit organization that provides over 60,000 free eBooks. These books are primarily in the public domain, meaning they can be freely distributed and downloaded. Project Gutenberg offers a wide range of classic literature, making it an excellent resource for literature enthusiasts. Another popular platform for Operators Manual Volvo Penta D6 books and manuals is Open Library. Open Library is an initiative of the Internet Archive, a non-profit organization dedicated to digitizing cultural artifacts and making them accessible to the public. Open Library hosts millions of books, including both public domain works and contemporary titles. It also allows users to borrow digital copies of certain books for a limited period, similar to a library lending system. Additionally, many universities and educational institutions have their own digital libraries that provide free access to PDF books and manuals. These libraries often offer academic texts, research papers, and technical manuals, making them invaluable resources for students and researchers. Some notable examples include MIT OpenCourseWare, which offers free access to course materials from the Massachusetts Institute of Technology, and the Digital Public Library of America, which provides a vast collection of digitized books and historical documents. In conclusion, Operators Manual Volvo Penta D6 books

and manuals for download have transformed the way we access information. They provide a cost-effective and convenient means of acquiring knowledge, offering the ability to access a vast library of resources at our fingertips. With platforms like Project Gutenberg, Open Library, and various digital libraries offered by educational institutions, we have access to an ever-expanding collection of books and manuals. Whether for educational, professional, or personal purposes, these digital resources serve as valuable tools for continuous learning and self-improvement. So why not take advantage of the vast world of Operators Manual Volvo Penta D6 books and manuals for download and embark on your journey of knowledge?

FAQs About Operators Manual Volvo Penta D6 Books

1. Where can I buy Operators Manual Volvo Penta D6 books? Bookstores: Physical bookstores like Barnes & Noble, Waterstones, and independent local stores. Online Retailers: Amazon, Book Depository, and various online bookstores offer a wide range of books in physical and digital formats.
2. What are the different book formats available? Hardcover: Sturdy and durable, usually more expensive. Paperback: Cheaper, lighter, and more portable than hardcovers. E-books: Digital books available for e-readers like Kindle or software like Apple Books, Kindle, and Google Play Books.
3. How do I choose a Operators Manual Volvo Penta D6 book to read? Genres: Consider the genre you enjoy (fiction, non-fiction, mystery, sci-fi, etc.). Recommendations: Ask friends, join book clubs, or explore online reviews and recommendations. Author: If you like a particular author, you might enjoy more of their work.
4. How do I take care of Operators Manual Volvo Penta D6 books? Storage: Keep them away from direct sunlight and in a dry environment. Handling: Avoid folding pages, use bookmarks, and handle them with clean hands. Cleaning: Gently dust the covers and pages occasionally.
5. Can I borrow books without buying them? Public Libraries: Local libraries offer a wide range of books for borrowing. Book Swaps: Community book exchanges or online platforms where people exchange books.
6. How can I track my reading progress or manage my book collection? Book Tracking Apps: Goodreads, LibraryThing, and Book Catalogue are popular apps for tracking your reading progress and managing book collections. Spreadsheets: You can create your own spreadsheet to track books read, ratings, and other details.
7. What are Operators Manual Volvo Penta D6 audiobooks, and where can I find them? Audiobooks: Audio recordings of books, perfect for listening while commuting or multitasking. Platforms: Audible, LibriVox, and Google Play Books offer a wide selection of audiobooks.

8. How do I support authors or the book industry? Buy Books: Purchase books from authors or independent bookstores. Reviews: Leave reviews on platforms like Goodreads or Amazon. Promotion: Share your favorite books on social media or recommend them to friends.
9. Are there book clubs or reading communities I can join? Local Clubs: Check for local book clubs in libraries or community centers. Online Communities: Platforms like Goodreads have virtual book clubs and discussion groups.
10. Can I read Operators Manual Volvo Penta D6 books for free? Public Domain Books: Many classic books are available for free as they're in the public domain. Free E-books: Some websites offer free e-books legally, like Project Gutenberg or Open Library.

Find Operators Manual Volvo Penta D6 :

panasonic plasma remote codes

[panasonic inverter manual datasheet](#)

panasonic tx32dk1f tv service manual

[panasonic plasma tv repair melbourne](#)

panasonic easa phone manual

~~panasonic kx t7667 manual instructions~~

~~panasonic tau 741 service manual~~

panasonic kx tga101cs user manual

~~panasonic hdc hs80p hdc hs80gk camera service manual~~

panasonic gf2 manual

panasonic sa ht720 manual

[panasonic rr us380 manual](#)

panasonic pv gs80 manual

panasonic ep30002 service manual repair guide

[panasonic pan manual de la mquina sd bt56p](#)

Operators Manual Volvo Penta D6 :

recovery of your inner child the highly acclaimed method for - Jan 17 2023

web usually hidden under our grown up personas the inner child holds the key to intimacy in relationships physical and

emotional well being recovery from addictions and the creativity and wisdom of our inner selves recovery of your inner child is the only book that shows you how to have a firsthand experience of your inner child actually

recovery of your inner child the highly acclaimed method for - Jun 22 2023

web buy recovery of your inner child the highly acclaimed method for liberating your inner self illustrated by capacchione ph d lucia isbn 9780671701352 from amazon s book store everyday low prices and free delivery on eligible orders

recovery of your inner child the highly acclaimed method for - Mar 19 2023

web mar 1 2021 lucia capacchione phd is the bestselling author of the creative journal recovery of your inner child and many other books for recovery healing and life planning a registered art therapist she holds degrees in art and psychology and is a pioneer of self therapy and healing through journal writing and drawing she is a

pdf epub recovery of your inner child the highly - May 09 2022

web may 5 2023 the inner child lives within all of us it s the part of us that feels emotions and is playful intuitive and creative usually hidden under our grown up personas the inner child holds the key to intimacy in relationships physical and emotional well being recovery from addictions and the creativity and wisdom of our inner selves recovery of your

lucia capacchione 805 546 1424 lucia luciac com - Feb 06 2022

web lucia capacchione phd atr reat best selling author of 23 books including recovery of your inner child the creative journal and the power of your other hand a registered art therapist and pioneer in expressive arts therapies she conducts workshops and professional certification training in her innovative methods video unavailable

recovery of your inner child google books - Apr 20 2023

web mar 15 1991 the inner child lives within all of us it s the part of us that feels emotions and is playful intuitive and creative usually hidden under our grown up personas the inner child holds the key to intimacy in relationships physical and emotional well being recovery from addictions and the creativity and wisdom of our inner selves recovery of your

recovery of your inner child book by lucia capacchione - Feb 18 2023

web usually hidden under our grown up personas the inner child holds the key to intimacy in relationships physical and emotional well being recovery from addictions and the creativity and wisdom of our inner selves recovery of your inner child is the only book that shows you how to have a firsthand experience of your inner child actually

recovery of your inner child booktopia - Nov 15 2022

web mar 15 1991 the inner child lives within all of us it s the part of us that feels emotions and is playful intuitive and creative usually hidden under our grown up personas the inner child holds the key to intimacy in relationships physical and emotional well being recovery from addictions and the creativity and wisdom of our inner selves

recovery of your inner child worldcat org - Jun 10 2022

web recovery of your inner child author lucia capacchione summary a book which demonstrates the way to gain first hand experience of the inner child actually feeling its emotions and recapturing its sense of wonder by writing and drawing with the non dominant hand ebook english c1991 edition view all formats and editions

recovery of your inner child lucia c - Jul 11 2022

web recovery of your inner child the highly acclaimed method for reparenting the inner child and liberating the true self journaling and art for healing from abuse and for finding the playful creative spiritual child within lucia capacchione ph d publisher simon schuster isbn 0 671 70135 5 format paperback 7 3 4 x 9 1 4

recovery of your inner child the highly acclaimed method for - Dec 16 2022

web amazon com recovery of your inner child the highly acclaimed method for liberating your inner self audible audio edition lucia capacchione phd charles l whitfield md phd introduction kim niemi lucia capacchione the author allows your inner child to be heard come out and be creative and allow you to heal and find

recovery of your inner child lucia capacchione - Aug 12 2022

web recovery of your inner child by lucia capacchione at abebooks co uk isbn 10 0671740261 isbn 13 9780671740269 1646 hardcover recovery of your inner child is the only book that shows you how to have a firsthand experience of your inner child actually feeling its emotions and recapturing its sense of wonder by writing and

recovery of your inner child capacchione lucia free - May 21 2023

web recovery of your inner child by capacchione lucia publication date 1991 topics inner child self actualization psychology writing drawing psychology of left and right handedness cerebral dominance personality assessment publisher new york

recovery of your inner child the highly acclaimed method for - Sep 25 2023

web recovery of your inner child the highly acclaimed method for liberating your inner self capacchione lucia amazon com tr kitap Çerez tercihlerinizi seçin Çerez bildirimimizde ayrıntılı şekilde açıklandığı üzere alışveriş yapmanızı sağlamak alışveriş deneyiminizi iyileştirmek ve hizmetlerimizi sunmak için gerekli

recovery of your inner child the highly acclaimed method for - Mar 07 2022

web recovery of your inner child the highly acclaimed method for liberating your inner self paperback illustrated 1 july 1991 by capacchione author 4 6 4 6 out healing our inner child is a major part of our recovery lucia capacchione is a master at gently guiding you through this process love yourself enough to recover from the past

recovery of your inner child the highly acclaimed method for - Aug 24 2023

web mar 15 1991 recovery of your inner child the highly acclaimed method for liberating your inner self paperback illustrated march 15 1991 by lucia capacchione author 4 7 4 7 out of 5 stars 1 256 ratings see all formats and editions lucia capacchione is an art therapist with a phd in psychology serves as a consultant to walt disney

lucia capacchione author of recovery of your inner child goodreads - Oct 14 2022

web combine editionslucia capacchione s books average rating 3 94 1 227 ratings 115 reviews 37 distinct works similar authors recovery of your inner child the highly acclaimed method for liberating your inner self 3 97 avg rating 668 ratings published 1991 16 editions

recovery of your inner child the highly acclaimed method for - Apr 08 2022

web recovery of your inner child the highly acclaimed method for liberating your inner self by capacchione ph d lucia at abebooks co uk isbn 10 0671701355 isbn 13 9780671701352 touchstone books 1991 softcover

recovery of your inner child the highly acclaimed method for - Jul 23 2023

web mar 1 1991 lucia capacchione 3 97 667 ratings 58 and the creativity and wisdom of our inner selves recovery of your inner child is the only book that shows you how to have a firsthand experience of your inner child actually feeling its emotions and recapturing its sense of wonder by writing and drawing with your non dominant hand

recovery of your inner child the highly acclaimed method for - Sep 13 2022

web recovery of your inner child the highly acclaimed method for liberating your inner self capacchione lucia isbn 9780671701352 healing our inner child is a major part of our recovery lucia capacchione is a master at gently guiding you through this process love yourself enough to recover from the past

free illinois dmV practice test 2023 driving - Nov 25 2021

illinois real estate practice test questions chapter exam - Jan 08 2023

web tests to determine fixture include the method of attachment the customization to the underlying real property the intent of individual attachment of the object and the specific

15 hour residential leasing agent pre license self study - Sep 04 2022

web test and improve your knowledge of leases property management with fun multiple choice exams you can take online with study com

illinois residential leasing agent pre license education - Jun 01 2022

web the cost of the exam is 58 for brokers and 37 for agents whether you take the state exam only or the national exam only or take both candidates must complete all

illinois leasing agent license exam flashcards quizlet - Feb 09 2023

web test and improve your knowledge of illinois real estate with fun multiple choice exams you can take online with study com

leasing license exam flashcards quizlet - May 12 2023

web nov 27 2022 contains questions answers leasing agent illinois leasing agent practice exam 2022 with complete solution50 questions and answers the lease

illinois real estate agent exam tests com - Dec 27 2021

web use this illinois permit practice test to make your dreams a reality with 40 multiple choice questions this powerful practice test covers the essential motor vehicle operation topics

illinois real estate practice exam free 2023 edition - Oct 05 2022

web a residential leasing agent is a person who is employed by a broker to engage in licensed activities limited to leasing residential real estate who has obtained a license

free illinois real estate practice exam 2023 update - Mar 30 2022

web the hybrid residential leasing agent class gives you the freedom to choose learning in person or virtually from home or via zoom meetings this is a 15 hour 2 day course

illinois leasing agent practice exam flashcards quizlet - Aug 15 2023

web illinois leasing agent practice exam 4 7 35 reviews 1 the lease contract stated that the renters would bring in the security deposit within five days it is now the sixth day and the

leases property management chapter exam study com - Jul 02 2022

web study with quizlet and memorize flashcards containing terms like in illinois for over 25 units a tenant is entitled to interest on their security deposit was held for how many

residential leasing agent illinois realtors - Aug 03 2022

web you can satisfy the entire 15 credit hour illinois pre license education requirement by completing our state approved self study webinar or classroom course no matter

illinois leasing agent practice exam 2022 with complete stuvia - Apr 11 2023

web created by megoelerich terms in this set 52 voidable contract contract with elements of a valid contract but only one part has right to enforce or withdraw such as a personal

free illinois dmv permit practice test 2023 il test questions - Sep 23 2021

free illinois real estate practice exam questions september - Jun 13 2023

web what is the idfpr illinois department of financial and professional regulation the state entity that issues real estate licenses what are the 4 divisions of the idfpr 1 real

candidate handbook amp - Oct 25 2021

[illinois real estate leasing exam prep flashcards quizlet](#) - Dec 07 2022

web all salespersons and brokers must pass the computer exam in order to qualify for a license in illinois exams are scheduled based on the volume of applicants test takers may

illinois leasing agent exam practice flashcards quizlet - Jul 14 2023

web illinois leasing agent exam practice 5 0 1 review get a hint personal property click the card to flip property that is movable and not affixed to or associated with the land click

real estate brokerage department of financial professional - Feb 26 2022

web qualifications to receive a license a candidate must complete 90 clock hours of study at an idfpr advisory board approved real estate school search schools here pass a

[leasing agent license chicago crei chicago real estate](#) - Jan 28 2022

web to qualify for an illinois real estate broker s license under category c applicants must 1 be at least 18 years old and 2 be admitted to practice law by the illinois supreme

[il leasing agent exam flashcards quizlet](#) - Mar 10 2023

web study with quizlet and memorize flashcards containing terms like what is the name given to the illinois license laws under which real estate brokers practice practicing real

[illinois real estate exam practice quiz](#) - Nov 06 2022

web links to download the course materials will be included on the receipt sent to you from illinois realtors if you purchased for someone other than yourself please be sure

leasing exam flashcards quizlet - Apr 30 2022

web approved ce education provider approved ce courses real estate broker managing broker and leasing agent real estate exam candidate bulletin 2023 managing broker

vitamin nedir vitamin grupları nelerdir acıbadem sağlık grubu - Nov 09 2022

nov 11 2021 günümüzde tanımlanmış 13 adet vitamin türü vardır vitamin terimi mineraller esansiyel yağ asitleri ve esansiyel amino asitler olarak tanımlanan diğer üç temel besin

vitamin nedir vitaminler hangi besinlerde bulunur medicana - Feb 12 2023

sep 29 2020 vitamin Çeşitleri sağlıklı bir hayat için vücutta dengeli olması gereken değerlerden biri de vitaminlerdir a b1 b2 b3 b6 b12 c d e k vitaminlerinin özelliklerini

[vitamin t06 ho kyoung yeo 9782752200433 abebooks](#) - Dec 10 2022

vitamin t06 by ho kyoung yeo isbn 10 2752200439 isbn 13 9782752200433 see bd tokebi 2005 softcover

[vitamin tome 13 by yeo ho kyong survey thecube](#) - Aug 06 2022

vitamin tome 13 by yeo ho kyong a beneficial physiological effect the panel has previously assessed a claim on vitamin e and protection of dna proteins and lipids from oxidative

b13 vitamini vitamin mineral - Sep 07 2022

b13 vitamini orotik asit faydaları vitamin b13 hakkında çok fazla bilgi olmamasına rağmen vitamini b13 orotik asit hakkında bazı bilgiler öne sürülmektedir orotik asit için hayati

vitamin tome 13 by yeo ho kyong iet donnu edu ua - Sep 26 2021

vitamin tome 13 by yeo ho kyong vitamin d market by analog application region 2025 vitamin k absorption and kinetics in human subjects after vitamin c and contribution to the

Üsküdar da zincirleme kaza aralarında toma nın da bulunduğu - Jul 05 2022

2 days ago aralarında toma nın da bulunduğu 14 araç birbirine girdi resim 1 Üsküdar da zincirleme kaza aralarında toma nın da bulunduğu 14 araç birbirine girdi 19 10 2023 00 31

pdf téléchargement gratuit pdf livre télécharger vitamin - Apr 14 2023

success strategies for teaching best seller book book free book new book pdf téléchargement gratuit pdf livre télécharger vitamin tome 13 pleine lecture en ligne

Çocukların alması gereken vitamin ve mineral listesi - Oct 08 2022

jul 2 2018 a vitamini gözler ve kemik gelişimi için çok önemli bir vitamin vücudu enfeksiyonlara karşı korur dokuların ve hücrelerin oluşmasına ve büyümesine yardımcıdır

tomorrow 13 bölüm izle asya fanatikleri farkıyla - Jan 31 2022

apr 2 2022 bilgi alanı video linki kırılmış sol taraftaki alternatifler butonuna tıklayarak diğer kaynakları deneyin sorun çözülmediyse sağ taraftaki rapor bildir kısmından bildirim oluşturun

read free vitamin tome 13 pdf for free investor vuanem - Apr 02 2022

read free vitamin tome 13 pdf for free vitamin dietary reference intakes for vitamin a vitamin k arsenic boron chromium copper iodine iron manganese molybdenum nickel

vitamin tome 13 by yeo ho kyong virginactivept mypthub net - May 03 2022

vitamin tome 13 by yeo ho kyong vitamin a dsm april 26th 2020 vitamin a is a fat soluble vitamin its physiological role is related to vision and maintenance of epithelial tissue

vitamin tome 13 paperback 22 mar 2006 amazon co uk - Jul 17 2023

select the department you want to search in

vitamin tome 13 by ho kyoung yeo librarything - Jun 16 2023

click to read more about vitamin tome 13 by ho kyoung yeo librarything is a cataloging and social networking site for

booklovers

vitamin tome 13 uniport edu ng - Dec 30 2021

feb 21 2023 vitamin tome 13 2 10 downloaded from uniport edu ng on february 21 2023 by guest thanks to their multitarget activities are considered promising alternatives for the

vitamin tome 13 by yeo ho kyong orientation sutd edu sg - Aug 26 2021

how to best absorb vitamin d supplements 13 steps with when is the best time to get vitamin d from sunlight top 5 best vitamins for stress mellowed colostrum vitamin tome

vitamin tome 13 by yeo ho kyong virginactivept mypthumb - Oct 28 2021

vitamin tome 13 by yeo ho kyong vitamin tome 13 by yeo ho kyong uputstvo za lek vitamin ad oralne kapi rastvor 22522 i vitamin k2 kappa bioscience is vitamin b12

vitamin tome 13 uniport edu ng - Mar 01 2022

jun 20 2023 vitamin tome 13 1 10 downloaded from uniport edu ng on june 20 2023 by guest vitamin tome 13 recognizing the way ways to acquire this book vitamin tome 13 is

amazon com vitamin tome 13 9782752201423 books - Sep 19 2023

amazon com vitamin tome 13 9782752201423 books skip to main content us delivering to lebanon 66952 choose location for most accurate options books select the department you

İstanbul da freni tutmayan toma kazaya neden oldu 13 - Jan 11 2023

2 days ago sol taraftan bana çarptı dedi toma kaza Üsküdar da 13 araç ve bir toma nın karıştığı kazada bir kişi yaralandı freni tutmayan toma aracı önünde bulunan araçlara

vatanım sensin 13 bölüm İzle kanal d - Nov 28 2021

bölüm Özeti vatanım sensin 13 bölüm cevdet silahların tevfik te olduğunu öğrenmiştir aradığı hain yıllarca kardeşim dediği kişidir yunan ordusu nazilli ye saldırmadan silahları

vitamin tome 13 by yeo ho kyong orientation sutd edu - Mar 13 2023

this vitamin tome 13 by yeo ho kyong as one of the bulk operating sellers here will wholly be accompanied by the best options to review you could quickly download this vitamin tome 13

gerçekte sadece 13 vitamin var ve bunlar olmazsa Ölürsünüz - Aug 18 2023

dec 30 2020 fakat bunun dışında izleyebileceğiniz en iyi yol bu 13 gerekli vitamini nereden aldığınızı daha dikkatli düşünmek bunların tamamını yediğiniz besinlerden kesinlikle

vitamin tome 13 uniport edu ng - Jun 04 2022

vitamin tome 13 2 8 downloaded from uniport edu ng on september 6 2023 by guest oriented or if international lack the

specificity of local issues relevant to students understanding of

d vitamini depolarını dolduruyor adeta ilaç gibi her milliyet - May 15 2023

d vitamini hangi besinlerde var İşte liste türkiye den ve dünya dan son dakika haberler köşe yazıları magazinden siyasete spordan seyahate bütün konuların tek adresi