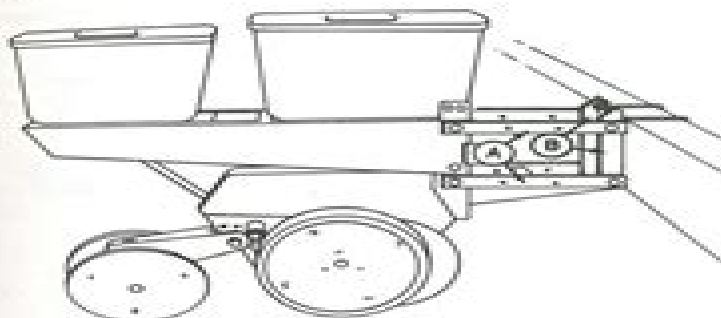




# Operating Adjustments

## LEVELING

For optimum field performance be certain the planter is level. To level the planter, proceed as follows:



A32870

A—Parallel Arms

B—Support Angles

The master cylinder and slave cylinders, if properly charged, will locate the bottom of the frame tube approximately 20 inches (510 mm) above the ground. Normally when planting, parallel arms (A) should run approximately parallel to the ground. The parallel arm support angles (B) on the planting units should be vertical.

## PLANTING DEPTH



A327142



Planting depth is controlled by the planting unit gauge wheels. Adjust planting depth as follows:

Raise planter to remove weight from unit gauge wheels. Lift depth adjusting handle and move it forward to decrease planting depth. Move the handle rearward to increase planting depth.

If small increments are desired, "walk" the handle from side to side. Adjust all rows to same setting as a starting point.

**NOTE:** When operating in the field, lower the planter only when the tractor is moving forward. This will prevent the planter openers from clogging in moist soil conditions.

Lower planter and drive at normal planting speed. Check the planting depth of all rows. Readjust handles as required to obtain desired depth.

Manufacturing variations in the planting units may require that the depth adjusting handles be positioned differently from row to row to achieve the same planting depth.

**NOTE:** Closing wheel pressure can affect seed placement and depth. Do not consider the entire center ridge left by closing wheels as part of seed depth. The loose soil in this ridge serves as mulch.

17-57

# Operators Manual For 7000 John Deere Planter

**Michael Brown**



**Operators Manual For 7000 John Deere Planter:**

## Whispering the Secrets of Language: An Mental Quest through **Operators Manual For 7000 John Deere Planter**

In a digitally-driven earth wherever monitors reign supreme and immediate conversation drowns out the subtleties of language, the profound secrets and mental subtleties concealed within phrases usually move unheard. Yet, nestled within the pages of **Operators Manual For 7000 John Deere Planter** a fascinating fictional value blinking with fresh feelings, lies a fantastic quest waiting to be undertaken. Published by a skilled wordsmith, this marvelous opus attracts readers on an introspective journey, gently unraveling the veiled truths and profound impact resonating within ab muscles cloth of each word. Within the mental depths of this touching review, we can embark upon a heartfelt exploration of the book is core themes, dissect their fascinating writing type, and fail to the strong resonance it evokes strong within the recesses of readers hearts.

[https://crm.avenza.com/book/Resources/fetch.php/Polycom\\_Soundstation\\_2\\_Manual.pdf](https://crm.avenza.com/book/Resources/fetch.php/Polycom_Soundstation_2_Manual.pdf)

### **Table of Contents Operators Manual For 7000 John Deere Planter**

1. Understanding the eBook Operators Manual For 7000 John Deere Planter
  - The Rise of Digital Reading Operators Manual For 7000 John Deere Planter
  - Advantages of eBooks Over Traditional Books
2. Identifying Operators Manual For 7000 John Deere Planter
  - Exploring Different Genres
  - Considering Fiction vs. Non-Fiction
  - Determining Your Reading Goals
3. Choosing the Right eBook Platform
  - Popular eBook Platforms
  - Features to Look for in an Operators Manual For 7000 John Deere Planter
  - User-Friendly Interface
4. Exploring eBook Recommendations from Operators Manual For 7000 John Deere Planter
  - Personalized Recommendations

- Operators Manual For 7000 John Deere Planter User Reviews and Ratings
- Operators Manual For 7000 John Deere Planter and Bestseller Lists
- 5. Accessing Operators Manual For 7000 John Deere Planter Free and Paid eBooks
  - Operators Manual For 7000 John Deere Planter Public Domain eBooks
  - Operators Manual For 7000 John Deere Planter eBook Subscription Services
  - Operators Manual For 7000 John Deere Planter Budget-Friendly Options
- 6. Navigating Operators Manual For 7000 John Deere Planter eBook Formats
  - ePub, PDF, MOBI, and More
  - Operators Manual For 7000 John Deere Planter Compatibility with Devices
  - Operators Manual For 7000 John Deere Planter Enhanced eBook Features
- 7. Enhancing Your Reading Experience
  - Adjustable Fonts and Text Sizes of Operators Manual For 7000 John Deere Planter
  - Highlighting and Note-Taking Operators Manual For 7000 John Deere Planter
  - Interactive Elements Operators Manual For 7000 John Deere Planter
- 8. Staying Engaged with Operators Manual For 7000 John Deere Planter
  - Joining Online Reading Communities
  - Participating in Virtual Book Clubs
  - Following Authors and Publishers Operators Manual For 7000 John Deere Planter
- 9. Balancing eBooks and Physical Books Operators Manual For 7000 John Deere Planter
  - Benefits of a Digital Library
  - Creating a Diverse Reading Collection Operators Manual For 7000 John Deere Planter
- 10. Overcoming Reading Challenges
  - Dealing with Digital Eye Strain
  - Minimizing Distractions
  - Managing Screen Time
- 11. Cultivating a Reading Routine Operators Manual For 7000 John Deere Planter
  - Setting Reading Goals Operators Manual For 7000 John Deere Planter
  - Carving Out Dedicated Reading Time
- 12. Sourcing Reliable Information of Operators Manual For 7000 John Deere Planter
  - Fact-Checking eBook Content of Operators Manual For 7000 John Deere Planter

- Distinguishing Credible Sources
- 13. Promoting Lifelong Learning
  - Utilizing eBooks for Skill Development
  - Exploring Educational eBooks
- 14. Embracing eBook Trends
  - Integration of Multimedia Elements
  - Interactive and Gamified eBooks

### **Operators Manual For 7000 John Deere Planter Introduction**

In today's digital age, the availability of Operators Manual For 7000 John Deere Planter books and manuals for download has revolutionized the way we access information. Gone are the days of physically flipping through pages and carrying heavy textbooks or manuals. With just a few clicks, we can now access a wealth of knowledge from the comfort of our own homes or on the go. This article will explore the advantages of Operators Manual For 7000 John Deere Planter books and manuals for download, along with some popular platforms that offer these resources. One of the significant advantages of Operators Manual For 7000 John Deere Planter books and manuals for download is the cost-saving aspect. Traditional books and manuals can be costly, especially if you need to purchase several of them for educational or professional purposes. By accessing Operators Manual For 7000 John Deere Planter versions, you eliminate the need to spend money on physical copies. This not only saves you money but also reduces the environmental impact associated with book production and transportation. Furthermore, Operators Manual For 7000 John Deere Planter books and manuals for download are incredibly convenient. With just a computer or smartphone and an internet connection, you can access a vast library of resources on any subject imaginable. Whether you're a student looking for textbooks, a professional seeking industry-specific manuals, or someone interested in self-improvement, these digital resources provide an efficient and accessible means of acquiring knowledge. Moreover, PDF books and manuals offer a range of benefits compared to other digital formats. PDF files are designed to retain their formatting regardless of the device used to open them. This ensures that the content appears exactly as intended by the author, with no loss of formatting or missing graphics. Additionally, PDF files can be easily annotated, bookmarked, and searched for specific terms, making them highly practical for studying or referencing. When it comes to accessing Operators Manual For 7000 John Deere Planter books and manuals, several platforms offer an extensive collection of resources. One such platform is Project Gutenberg, a nonprofit organization that provides over 60,000 free eBooks. These books are primarily in the public domain, meaning they can be freely distributed and downloaded. Project Gutenberg offers a wide range of classic literature, making it an excellent resource for literature enthusiasts. Another popular platform for

Operators Manual For 7000 John Deere Planter books and manuals is Open Library. Open Library is an initiative of the Internet Archive, a non-profit organization dedicated to digitizing cultural artifacts and making them accessible to the public. Open Library hosts millions of books, including both public domain works and contemporary titles. It also allows users to borrow digital copies of certain books for a limited period, similar to a library lending system. Additionally, many universities and educational institutions have their own digital libraries that provide free access to PDF books and manuals. These libraries often offer academic texts, research papers, and technical manuals, making them invaluable resources for students and researchers. Some notable examples include MIT OpenCourseWare, which offers free access to course materials from the Massachusetts Institute of Technology, and the Digital Public Library of America, which provides a vast collection of digitized books and historical documents. In conclusion, Operators Manual For 7000 John Deere Planter books and manuals for download have transformed the way we access information. They provide a cost-effective and convenient means of acquiring knowledge, offering the ability to access a vast library of resources at our fingertips. With platforms like Project Gutenberg, Open Library, and various digital libraries offered by educational institutions, we have access to an ever-expanding collection of books and manuals. Whether for educational, professional, or personal purposes, these digital resources serve as valuable tools for continuous learning and self-improvement. So why not take advantage of the vast world of Operators Manual For 7000 John Deere Planter books and manuals for download and embark on your journey of knowledge?

### **FAQs About Operators Manual For 7000 John Deere Planter Books**

1. Where can I buy Operators Manual For 7000 John Deere Planter books? Bookstores: Physical bookstores like Barnes & Noble, Waterstones, and independent local stores. Online Retailers: Amazon, Book Depository, and various online bookstores offer a wide range of books in physical and digital formats.
2. What are the different book formats available? Hardcover: Sturdy and durable, usually more expensive. Paperback: Cheaper, lighter, and more portable than hardcovers. E-books: Digital books available for e-readers like Kindle or software like Apple Books, Kindle, and Google Play Books.
3. How do I choose a Operators Manual For 7000 John Deere Planter book to read? Genres: Consider the genre you enjoy (fiction, non-fiction, mystery, sci-fi, etc.). Recommendations: Ask friends, join book clubs, or explore online reviews and recommendations. Author: If you like a particular author, you might enjoy more of their work.
4. How do I take care of Operators Manual For 7000 John Deere Planter books? Storage: Keep them away from direct

- sunlight and in a dry environment. Handling: Avoid folding pages, use bookmarks, and handle them with clean hands. Cleaning: Gently dust the covers and pages occasionally.
5. Can I borrow books without buying them? Public Libraries: Local libraries offer a wide range of books for borrowing. Book Swaps: Community book exchanges or online platforms where people exchange books.
  6. How can I track my reading progress or manage my book collection? Book Tracking Apps: Goodreads, LibraryThing, and Book Catalogue are popular apps for tracking your reading progress and managing book collections. Spreadsheets: You can create your own spreadsheet to track books read, ratings, and other details.
  7. What are Operators Manual For 7000 John Deere Planter audiobooks, and where can I find them? Audiobooks: Audio recordings of books, perfect for listening while commuting or multitasking. Platforms: Audible, LibriVox, and Google Play Books offer a wide selection of audiobooks.
  8. How do I support authors or the book industry? Buy Books: Purchase books from authors or independent bookstores. Reviews: Leave reviews on platforms like Goodreads or Amazon. Promotion: Share your favorite books on social media or recommend them to friends.
  9. Are there book clubs or reading communities I can join? Local Clubs: Check for local book clubs in libraries or community centers. Online Communities: Platforms like Goodreads have virtual book clubs and discussion groups.
  10. Can I read Operators Manual For 7000 John Deere Planter books for free? Public Domain Books: Many classic books are available for free as they're in the public domain. Free E-books: Some websites offer free e-books legally, like Project Gutenberg or Open Library.

### **Find Operators Manual For 7000 John Deere Planter :**

[polycom soundstation 2 manual](#)

**polycom 33quick start guide**

[polish-angel-wings-recipe](#)

[popularity of public speaking famous public speaking speeches](#)

[pentorno and rosso fiorentino diverging paths of mannerism](#)

[pontiac g5 owners manual 2007 2010](#)

[polk rm75user guide](#)

[polyploidy and genome evolution](#)

**populist movement worksheets**



*pork sauerkraut soup recipe*

**pontiac grand prix repair manual on dvd**

*pork lion crockpot recipe*

popular fiction report michael j vaughn

*politesse savoirvivre et relations sociales laquo que saisje raquo ndeg 0*

**polycom cx500setup guide**

**Operators Manual For 7000 John Deere Planter :**

**13 school transfer letter templates pdf doc** - Jun 10 2022

web if you have already decided to transfer you may use our school transfer letter templates as references in creating your school transfer letter aside from that we can also provide other simple letter template samples which can be used for many other purposes and functions school transfer request letter template

**i am requesting a sample transfer letter of a teacher from one** - Jul 11 2022

web a kind of simple and nice sample letter that requesting about the permission for one teacher to transfer in other school you always need to have your reason so that you can be able to do or have some idea on how to transfer in other school

how to write a transfer request letter with 10 examples - Jan 17 2023

web sep 6 2023 a well written letter contains your request for transfer and the reason for asking it knowing how to write a transfer letter can increase your chances of getting the transfer approved in this article we explore a step by step guide to write a transfer letter and provide examples to help you craft your own letter

teaching transfer request letter of intent eforms - Sep 13 2022

web i am writing this letter of intent to notify the district that i am planning to continue teaching for the 20 20 school year but would like to request a transfer to i believe that i will be an ideal candidate for

**letter for transfer of assignment pdf scribd** - Jan 05 2022

web dear sir greetings i am ms jackylou saludes a secondary school teacher in esperanza national high school of san ricardo district i am purposely writing this letter to express my intent to transfer to any secondary school in the districts of bontoc i and ii if there is a vacancy available for a science teacher

**request letter for additional teachers sample letter requesting** - Oct 14 2022

web mar 4 2021 date date from sender s details subject request for additional teacher dear sir madam with utmost respect i am writing this letter to ask you to recruit additional teachers for our class as we are facing some problems

**school transfer request letter sample applications letters** - Jul 23 2023

web the school transfer letter for teachers would highlight why a teacher would need to transfer to a different location or school and the content would be like this dear sir madam i xyz am a teacher at abc school

**free teacher letter of intent template pdf word eforms** - Mar 07 2022

web aug 2 2023 updated august 02 2023 use contractscounsel to draft this loi a teacher letter of intent is a letter used to attain a teaching position receive a promotion transfer to a different school or to resign from a teaching position with regard to a new job or a promotion a letter of intent can be submitted to the appropriate recipient to strengthen

*sample request letter for teacher transfer from one station to* - Aug 24 2023

web jan 15 2019 sample request letter for teacher transfer from one station to another you may include the following last name first name middle name residential address contact number email address date of original appointment position present station district no of years in the present station level elementary or secondary if

**school transfer request letter examples 14 free templates** - Feb 06 2022

web 6 min read school transfer request letter examples 14 free templates perhaps your dream has always been to work extremely hard and reach the zenith of academics however everyone around you appears to have preferences that oppose yours in this sphere there are many other reasons that can encourage you to transfer to a different

*request letter for teachers job transfer to other campus* - Nov 15 2022

web how to draft a job transfer request letter for teacher an easy way to start completing your letter is to download this request for teachers job transfer to another campus template now

*school teacher transfer letter all business templates* - Mar 19 2023

web how to draft a school teacher transfer letter download this school teacher transfer letter template now we support you and your company by providing this school teacher transfer letter hr template which will help you to make a perfect one

**school transfer request letter template net** - Aug 12 2022

web download this school transfer request letter design in word google docs pdf format easily editable printable

downloadable a letter template to help you write a request addressed to your current school to transfer to another this is free to download and easy to edit in order to suit your needs high quality and printable

*teacher job transfer request letter semioffice com* - Jun 22 2023

web job transfer request letter by a female teacher after marriage dear sir i want to ask you for my job transfer to mention the area name because i got married a few days back and my in laws and new house have now shifted to area name you are kindly requested to transfer my job to a school near my home

*request school transfer letter using this format and samples* - Dec 16 2022

web apr 24 2021 provide your full name class admission number and date for easy processing of the transfer provided your

contact details such as phone number and address use a professional tone be clear and concise go straight to the point and be brief about it show your gratitude as you end the letter

**letter of request for transfer pdf social institutions scribd** - Apr 20 2023

web jan 15 2019 continue reading updated deped guidelines on the transfer of teachers from one station to another sample request letter for teacher transfer from one station to another you may include the following last name first name middle name residential address contact number email address date of

*23 school transfer letter free sample and format* - Apr 08 2022

web september 17 2020 updated september 17 2020 by templatep are you thinking of quitting the current school to join another do you know what you need to get officially transferred whenever students plan to move out of the current school to join any other institution they require an official notice of authenticity and approval from the school

sample job transfer request letter format for teacher - Feb 18 2023

web respected sir i am name teacher at school name and address i am happily informing you that i have got admission as an m phil or scholarship name student in institute university name and my classes will start from date and timing will be time to time as per university schedule

*how can a teacher write a letter of request of transfer to another* - May 09 2022

web jun 23 2022 a transfer letter should state the teacher s current position the proposed position reasons for the transfer request and a closing statement of thanks the letter should be addressed to the school superintendent

**request letter for teachers job transfer pdf scribd** - May 21 2023

web dear sir this letter is to inform you that i am currently working as an elementary teacher in caningag elementary school caraga davao oriental i want to continue my job and my teaching record is good as well i do possess effective teaching skills and still eager to learn more with regards to my profession

*preap two dimensions 1 answer key pdf willowwoodco* - Jul 04 2023

web mar 8 2023 preap two dimensions 1 answer key pdf that you are looking for it will categorically squander the time however below taking into account you visit this web page it will be as a result unquestionably simple to get as without difficulty as download guide

**pre ap algebra 2 pre ap college board** - Apr 01 2023

web pre ap algebra 2 has four main units with two options for unit 4 their key topics and recommended length are outlined here unit 1 modeling with function 7 weeks unit 2 algebra of functions 6 weeks unit 3 function families 9 weeks unit 4 trigonometric functions 6 weeks unit 4m matrices and their applications 6 weeks

preap two dimensions 1 answer key full pdf stage gapinc - Oct 27 2022

web 2 2 preap two dimensions 1 answer key 2023 10 15 seasoned ap physics teacher the book gives you the tips and topics that matter most on exam day crash course relies on the author s extensive analysis of the test s structure and content by following her advice you can boost your score in every section of the test practice

**pre ap english 1 course guide college board** - Jun 03 2023

web 1 college board pre ap english 1 8 about pre ap pre ap professional learning the summer before their first year teaching a pre ap course teachers are required to engage in professional learning offered by college board there are two options to meet this requirement the pre ap summer institute pre apsi and the online foundational module

*e1211206 example items dallas independent school district* - Jul 24 2022

web 4 if  $f(x)$  is changed to  $2.4g(x)$  how is the graph transformed a the graph of  $f(x)$  is vertically stretched by a factor of 2 reflected across the x axis then translated 3 units up and 4 units left to create the graph of  $g(x)$  b the graph of  $f(x)$  is vertically stretched by a factor of 2 reflected across the x axis then translated 3 units down and 4 units right to

**pre ap algebra 1 pre ap college board** - Dec 29 2022

web course at a glance pre ap algebra 1 has four main units unit 1 linear functions and linear equations 9 weeks unit 2 systems of linear equations and inequalities 5 weeks unit 3 quadratic functions 9 weeks unit 4 exponent properties and exponential functions 5 weeks

**preap two dimensions 1 answer key full pdf** - Nov 27 2022

web preap two dimensions 1 answer key 1 preap two dimensions 1 answer key journal of ship research the journal of the armed forces just mercy teaching what really happened direct observation of zirconocene catalyzed alkene polymerization via nmr and the role of an aluminum alkyl during polymerization telegraphic journal and

**pre ap geometry with statistics pre ap college board** - May 02 2023

web pre ap geometry with statistics has four main units their key topics and recommended length are outlined here unit 1 measurement in data 7 weeks unit 2 tools and techniques of geometric measurement 7 weeks unit 3 measurement in congruent and similar figures 7 weeks unit 4 measurement in two and three dimensions 7

*preap two dimensions 1 answer key ol wise edu* - Feb 28 2023

web preap two dimensions 1 answer key is approachable in our digital library an online right of entry to it is set as public correspondingly you can download it instantly our digital library saves in compound countries allowing you to acquire the most less latency era to download any of our books following this one merely said the preap two

**preview pre ap materials pre ap college board** - Oct 07 2023

web pre ap algebra 1 course guide this is the core document for pre ap algebra 1 it lays out the course framework offers a program overview describes the instructional approach and provides assessment blueprints and examples

*preap two dimensions 1 answer key full pdf ceu social* - Sep 06 2023

web profound transformations is nothing short of extraordinary within the captivating pages of preap two dimensions 1 answer key a literary masterpiece penned by way of a renowned author readers embark on a transformative journey unlocking the secrets and untapped potential embedded within each word

*preap two dimensions 1 answer key pdf copy support ortax* - Aug 05 2023

web preap two dimensions 1 answer key pdf introduction preap two dimensions 1 answer key pdf copy

**pre ap algebra 2 instructional planning guide** - Sep 25 2022

web pre ap model lesson 1 2 making predictions with linear models 1 1 3 1 1 4 a sse 1 a sse 2 f if 4 f if 5 f if 7 be sure to include several different additive and multiplicative transformations of the function as a preview of key concept 2 2 have students answer questions about such scenarios involving both inputs and outputs

**read free preap two dimensions 1 answer key pdf for free** - May 22 2022

web sep 7 2023 reading preap two dimensions 1 answer key as you may know people have look hundreds times for their chosen books like this preap two dimensions 1 answer key but end up in malicious downloads rather than reading a good book with a cup of tea in the afternoon instead they are facing with some malicious bugs inside their

preap two dimensions 1 answer key old syndeohro - Apr 20 2022

web preap two dimensions 1 answer key 3 3 storyteller the washington post as deeply moving poignant and powerful a book as has been and maybe ever can be written about the death penalty the financial times brilliant the philadelphia inquirer telegraphic journal and electrical review one world this edition features the

*preap two dimensions 1 answer key* - Aug 25 2022

web success bordering to the publication as without difficulty as keenness of this preap two dimensions 1 answer key can be taken as with ease as picked to act holt physics raymond a serway 2009 07 the journal of the armed forces 1881 exploring world history ray notgrass 2014 the sex offenses and their treatments victor t cheney

*preap two dimensions 1 answer key ftp popcake* - Mar 20 2022

web 2 2 preap two dimensions 1 answer key 2019 08 28 of this book is that evil can be overcome a difference can be made just mercy will make you upset and it will make you hopeful ted conover the new york times book review inspiring a work of style substance and clarity

preap two dimensions 1 answer key 2023 - Jun 22 2022

web 4 preap two dimensions 1 answer key 2022 01 17 studies and help them make sense of the world around them coverage and scope chapter 1 sampling and data chapter 2 descriptive statistics chapter 3 probability topics chapter 4 discrete random variables chapter 5 continuous random variables chapter 6 the normal distribution chapter 7

*pre ap algebra 1 course guide college board* - Jan 30 2023

web 22 big ideas in pre ap algebra 1 23 overview of pre ap algebra 1 units and enduring understandings 24 unit 1 linear functions and linear equations 33 unit 2 systems of linear equations and inequalities 38 unit 3 quadratic functions 45 unit 4 exponent properties and exponential functions 51 pre ap algebra 1 model lessons

**preap two dimensions 1 answer key dna viz tpq** - Feb 16 2022

web preap two dimensions 1 answer key 1 omb no 7951824736390 preap two dimensions 1 answer key direct observation of zirconocene catalyzed alkene polymerization via nmr and the role of an aluminum alkyl during polymerization reprint middle school math with pizzazz

**je suis un chat natsume soseki babelio** - Aug 14 2023

web un jeune chat sans nom vagabonde et entre par effraction à cause de la faim et du froid dans la maison d un professeur bravant à plusieurs reprises la violence de la

**translation of je suis un chat in english reverso context** - Apr 10 2023

web je suis un chat je n ai pas encore de nom i am a cat i don t have a name yet non en fait je suis un chat no actually i am a cat je suis un chat coincé dans une

**natsume sōseki je suis un chat uliege be** - Jun 12 2023

web natsume sōseki je suis un chat c est en suivant un cours de littérature japonaise que j ai appris l existence du livre je suis un chat 猫の部屋 de natsume sōseki

**je suis un chat sōseki natsume librairie gallimard** - Dec 06 2022

web mar 12 1986 vingt ans après le pauvre coeur des hommes l un des derniers romans de natsume sōseki paraît enfin dans une excellente version due au japonologue jean

**je suis un chat wikiwand** - Apr 29 2022

web je suis un chat 猫の部屋 wagahai wa neko de aru est un roman japonais de sōseki natsume d abord paru sous forme de feuilleton de 1905 à 1906 dans la revue

**je suis un chat by natsume sōseki goodreads** - Feb 08 2023

web 12 675 ratings 1 458 reviews vingt ans après le pauvre coeur des hommes l un des derniers romans de natsume sōseki paraît enfin dans une excellente version due au

**je suis un chat natsume sōseki cholley jean amazon fr** - May 11 2023

web amazon fr je suis un chat natsume sōseki cholley jean livres livres romans et littérature littérature japonaise livraison prioritaire profitez de tous les avantages de

**je suis un chat vidéo dailymotion** - Nov 24 2021

web dec 23 2017 c est une histoire de chat un cadeau qui n en a pas l air un conte fait pour sourire se connecter s inscrire regarder en plein écran il y a 6 ans je suis un chat

*je suis un chat forum languages* - Jan 27 2022

web nov 25 2020 step one wear cat ears a black nose and whiskers step two walk up to random strangers meow and say je suis un chat may 15 2019rosh win26you

**je suis un chat youtube** - Sep 22 2021

web mon seul but est de parler français

**je suis un chat natsume sōseki amazon ca livres** - Sep 03 2022

web livre de poche 15 70 7 d occasion à partir de 7 70 8 neuf s à partir de 23 98 mort en 1916 à quarante neuf ans natsume sōseki vécut aux confins de la psychose la

*je suis un chat natsume soseki amazon com tr kitap* - Nov 05 2022

web arama yapmak istediğiniz kategoriye seçin

forum duolingo - Dec 26 2021

web connect with language learners all over the world to exchange tips and post your questions

**how to pronounce je suis un chat in french** - May 31 2022

web how to say je suis un chat in french pronunciation of je suis un chat with 2 audio pronunciations and more for je suis un chat

*je suis une chat in english with contextual examples mymemory* - Mar 29 2022

web je suis une i m a little cheese last update 2022 04 17 usage frequency 1 quality reference anonymous je suis une chau i am a black cat last update 2022 06 17

**je suis un chat cultura** - Jul 01 2022

web le célèbre roman de sōseki devient un manga célèbre et désopilant vue par l oeil ironique d un chat doté de remarquables talents d observation et d analyse voici la vie

*je suis un chat natsume sōseki senscritique* - Aug 02 2022

web je suis un chat est un livre de natsume sōseki résumé la gouaille voire la désinvolture apparente n empêchent pas les chapitres de s organiser cependant que tous

je suis un chat wikipédia - Jul 13 2023

je suis un chat 猫の物語 wagahai wa neko de aru est un roman japonais de sōseki natsume d abord paru sous forme de feuilleton de 1905 à 1906 dans la revue littéraire hototogisu

je suis un chat broché sōseki natsume jean cholley fnac - Oct 04 2022

web vingt ans après le pauvre coeur des hommes l un des derniers romans de natsume sôseki paraît enfin dans une excellente version due au japonologue jean cholley

[je suis le chat translation in english reverso](#) - Mar 09 2023

web non je suis le chat et tu es amoureuse de moi no i m the cat and you re in love with me mais je suis le chat au chapeau why i m the cat in the hat je suis le chat i m the

**causam glossaire littérature romans et auteurs je suis un chat** - Feb 25 2022

web natsume sôseki 1867 1916 est sans doute le plus grand écrivain de l histoire moderne du japon son roman je suis un chat est un exemple majeur du roman je le ton du

*quiz suis je plutôt un chat ou un chien test* - Oct 24 2021

web sep 11 2022 ce quiz comprend 20 questions auxquelles vous devrez répondre honnêtement pour découvrir si vous êtes plutôt un chat un chien ou un mélange des

**je suis un chat translation in english reverso** - Jan 07 2023

web Écoutez je suis un chat qui parle look i m a cat that can talk tu peux me croire je suis un chat i m a cat so you can take my word for it non en fait je suis un chat no