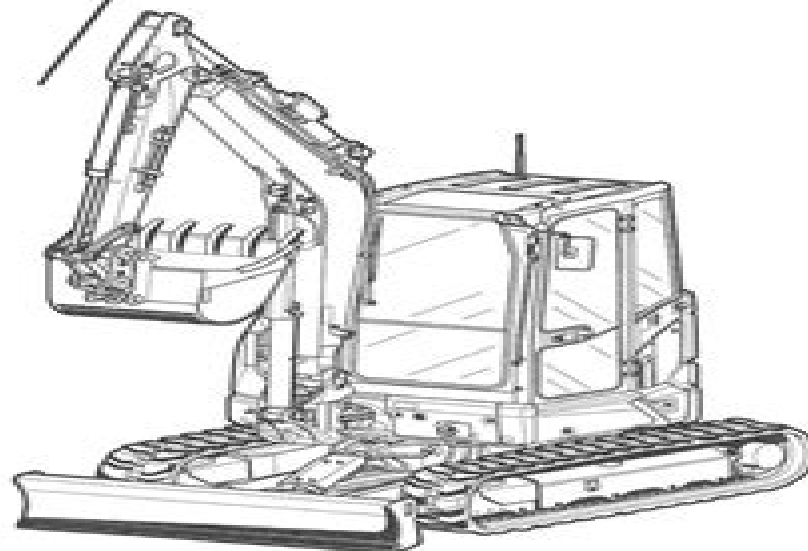


Kubota

COMPACT EXCAVATOR

MODEL
U50-5



GB



OPERATING INSTRUCTIONS

W9272-8135-1

- Original -

05/2020

Operator Manual Kubota Mini Excavator

J Spring



Operator Manual Kubota Mini Excavator:

Unveiling the Energy of Verbal Beauty: An Emotional Sojourn through **Operator Manual Kubota Mini Excavator**

In a global inundated with monitors and the cacophony of instantaneous communication, the profound power and emotional resonance of verbal art often disappear in to obscurity, eclipsed by the constant barrage of sound and distractions. Yet, set within the musical pages of **Operator Manual Kubota Mini Excavator**, a captivating function of literary splendor that impulses with fresh thoughts, lies an remarkable trip waiting to be embarked upon. Published with a virtuoso wordsmith, that exciting opus courses visitors on a psychological odyssey, softly exposing the latent possible and profound affect embedded within the intricate web of language. Within the heart-wrenching expanse of the evocative evaluation, we shall embark upon an introspective exploration of the book is key themes, dissect their captivating writing style, and immerse ourselves in the indelible impact it leaves upon the depths of readers souls.

<https://crm.avenza.com/results/browse/HomePages/service%20manual%20honda%20shadow%20125.pdf>

Table of Contents Operator Manual Kubota Mini Excavator

1. Understanding the eBook Operator Manual Kubota Mini Excavator
 - The Rise of Digital Reading Operator Manual Kubota Mini Excavator
 - Advantages of eBooks Over Traditional Books
2. Identifying Operator Manual Kubota Mini Excavator
 - Exploring Different Genres
 - Considering Fiction vs. Non-Fiction
 - Determining Your Reading Goals
3. Choosing the Right eBook Platform
 - Popular eBook Platforms
 - Features to Look for in an Operator Manual Kubota Mini Excavator
 - User-Friendly Interface
4. Exploring eBook Recommendations from Operator Manual Kubota Mini Excavator
 - Personalized Recommendations

- Operator Manual Kubota Mini Excavator User Reviews and Ratings
- Operator Manual Kubota Mini Excavator and Bestseller Lists
- 5. Accessing Operator Manual Kubota Mini Excavator Free and Paid eBooks
 - Operator Manual Kubota Mini Excavator Public Domain eBooks
 - Operator Manual Kubota Mini Excavator eBook Subscription Services
 - Operator Manual Kubota Mini Excavator Budget-Friendly Options
- 6. Navigating Operator Manual Kubota Mini Excavator eBook Formats
 - ePub, PDF, MOBI, and More
 - Operator Manual Kubota Mini Excavator Compatibility with Devices
 - Operator Manual Kubota Mini Excavator Enhanced eBook Features
- 7. Enhancing Your Reading Experience
 - Adjustable Fonts and Text Sizes of Operator Manual Kubota Mini Excavator
 - Highlighting and Note-Taking Operator Manual Kubota Mini Excavator
 - Interactive Elements Operator Manual Kubota Mini Excavator
- 8. Staying Engaged with Operator Manual Kubota Mini Excavator
 - Joining Online Reading Communities
 - Participating in Virtual Book Clubs
 - Following Authors and Publishers Operator Manual Kubota Mini Excavator
- 9. Balancing eBooks and Physical Books Operator Manual Kubota Mini Excavator
 - Benefits of a Digital Library
 - Creating a Diverse Reading Collection Operator Manual Kubota Mini Excavator
- 10. Overcoming Reading Challenges
 - Dealing with Digital Eye Strain
 - Minimizing Distractions
 - Managing Screen Time
- 11. Cultivating a Reading Routine Operator Manual Kubota Mini Excavator
 - Setting Reading Goals Operator Manual Kubota Mini Excavator
 - Carving Out Dedicated Reading Time
- 12. Sourcing Reliable Information of Operator Manual Kubota Mini Excavator
 - Fact-Checking eBook Content of Operator Manual Kubota Mini Excavator

- Distinguishing Credible Sources
- 13. Promoting Lifelong Learning
 - Utilizing eBooks for Skill Development
 - Exploring Educational eBooks
- 14. Embracing eBook Trends
 - Integration of Multimedia Elements
 - Interactive and Gamified eBooks

Operator Manual Kubota Mini Excavator Introduction

In the digital age, access to information has become easier than ever before. The ability to download Operator Manual Kubota Mini Excavator has revolutionized the way we consume written content. Whether you are a student looking for course material, an avid reader searching for your next favorite book, or a professional seeking research papers, the option to download Operator Manual Kubota Mini Excavator has opened up a world of possibilities. Downloading Operator Manual Kubota Mini Excavator provides numerous advantages over physical copies of books and documents. Firstly, it is incredibly convenient. Gone are the days of carrying around heavy textbooks or bulky folders filled with papers. With the click of a button, you can gain immediate access to valuable resources on any device. This convenience allows for efficient studying, researching, and reading on the go. Moreover, the cost-effective nature of downloading Operator Manual Kubota Mini Excavator has democratized knowledge. Traditional books and academic journals can be expensive, making it difficult for individuals with limited financial resources to access information. By offering free PDF downloads, publishers and authors are enabling a wider audience to benefit from their work. This inclusivity promotes equal opportunities for learning and personal growth. There are numerous websites and platforms where individuals can download Operator Manual Kubota Mini Excavator. These websites range from academic databases offering research papers and journals to online libraries with an expansive collection of books from various genres. Many authors and publishers also upload their work to specific websites, granting readers access to their content without any charge. These platforms not only provide access to existing literature but also serve as an excellent platform for undiscovered authors to share their work with the world. However, it is essential to be cautious while downloading Operator Manual Kubota Mini Excavator. Some websites may offer pirated or illegally obtained copies of copyrighted material. Engaging in such activities not only violates copyright laws but also undermines the efforts of authors, publishers, and researchers. To ensure ethical downloading, it is advisable to utilize reputable websites that prioritize the legal distribution of content. When downloading Operator Manual Kubota Mini Excavator, users should also consider the potential security risks associated with online platforms. Malicious actors may exploit vulnerabilities in

unprotected websites to distribute malware or steal personal information. To protect themselves, individuals should ensure their devices have reliable antivirus software installed and validate the legitimacy of the websites they are downloading from. In conclusion, the ability to download Operator Manual Kubota Mini Excavator has transformed the way we access information. With the convenience, cost-effectiveness, and accessibility it offers, free PDF downloads have become a popular choice for students, researchers, and book lovers worldwide. However, it is crucial to engage in ethical downloading practices and prioritize personal security when utilizing online platforms. By doing so, individuals can make the most of the vast array of free PDF resources available and embark on a journey of continuous learning and intellectual growth.

FAQs About Operator Manual Kubota Mini Excavator Books

How do I know which eBook platform is the best for me? Finding the best eBook platform depends on your reading preferences and device compatibility. Research different platforms, read user reviews, and explore their features before making a choice. Are free eBooks of good quality? Yes, many reputable platforms offer high-quality free eBooks, including classics and public domain works. However, make sure to verify the source to ensure the eBook credibility. Can I read eBooks without an eReader? Absolutely! Most eBook platforms offer web-based readers or mobile apps that allow you to read eBooks on your computer, tablet, or smartphone. How do I avoid digital eye strain while reading eBooks? To prevent digital eye strain, take regular breaks, adjust the font size and background color, and ensure proper lighting while reading eBooks. What the advantage of interactive eBooks? Interactive eBooks incorporate multimedia elements, quizzes, and activities, enhancing the reader engagement and providing a more immersive learning experience. Operator Manual Kubota Mini Excavator is one of the best book in our library for free trial. We provide copy of Operator Manual Kubota Mini Excavator in digital format, so the resources that you find are reliable. There are also many Ebooks of related with Operator Manual Kubota Mini Excavator. Where to download Operator Manual Kubota Mini Excavator online for free? Are you looking for Operator Manual Kubota Mini Excavator PDF? This is definitely going to save you time and cash in something you should think about.

Find Operator Manual Kubota Mini Excavator :

[service manual honda shadow 125](#)

[service manual hp psc 1510](#)

[service manual honda 300 fourtrax](#)

[service manual for kawasaki zsr](#)

[service manual honda civic](#)

service manual for moped

service manual for sewing machine efka

~~service manual kenwood vr 509 510 517 audio surround receiver~~

service manual kawasaki prairie 300 4x4 1991

service manual honda civic 2001

service manual om 906 la

[service manual for honda cr500](#)

service manual for ls55

service manual for international farmall super

~~service manual hitachi 42hdt50 plasma display panel~~

Operator Manual Kubota Mini Excavator :

[the octonauts and the frown fish bedtime stories for kids](#) - Oct 05 2022

web 92k views 3 years ago this story is about a little fish who seemed like he always had a frown and the octonauts made it their mission to try to make him smile nothing seemed to work until

the octonauts and the frown fish harpercollins children s books - Jul 02 2022

web the octonauts are a crew of cute animals who love to explore the big blue ocean from their underwater base the octopod the eight intrepid friends are always ready for fun and excitement when the octonauts meet a fish with a

[the octonauts and the frown fish by meomi waterstones](#) - Feb 26 2022

web mar 4 2010 the octonauts are a crew of cute animals who love to explore the big blue ocean from their underwater base the octopod the eight intrepid friends are always ready for fun and excitement when the octonauts meet a fish with a giant frown on his face they begin to feel glum too the octonauts try everything they can to cheer him up

the octonauts the frown fish amazon com - Jul 14 2023

web oct 1 2008 in the octonauts and the frown fish the crew finds a fish that frowns all the time they don t know why the fish frowns because they don t speak frownese the octonauts are determined to cheer the fish up his book elicited the aww that s cute reaction many times

the octonauts the frown fish by meomi goodreads - Oct 17 2023

web oct 1 2008 the octonauts and the frown fish is the third in the series by meomi in this one the octonauts come across a

fish with a giant frown they want to help to cheer the fish up they take the fish around to the best under the sea
entertainment spots still the fish frowns if anything the fish s frown gets bigger

[the octonauts and the frown fish on apple books](#) - Apr 11 2023

web in this entertaining story the octonauts meets a fish with a giant frown on its face it looks so glum that it s causing
everyone around to feel down too our heroes need to find a way to cheer it up so the octonauts share their favorite pastimes
readers will enjoy making music building robots baking desserts and carousing at the playground

the octonauts and the frown fish meomi meomi amazon sg - Jun 01 2022

web hello sign in account lists returns orders cart

the octonauts the frown fish octonauts wiki fandom - Sep 16 2023

web the octonauts the frown fish is the third illustrated storybook by meomi it released on october

the octonauts the frown fish book by meomi epic - Nov 06 2022

web the octonauts the frown fish kids book from the leading digital reading platform with a collection of 40 000 books from
250 of the world s best publishers read now on epic instantly access the octonauts the frown fish plus

[the octonauts and the frown fish national library board](#) - Jun 13 2023

web in this entertaining story the octonauts meets a fish with a giant frown on its face it looks so glum that it s causing
everyone around to feel down too our heroes need to find a way to cheer it up so the octonauts share their favorite pastimes
readers will enjoy making music building robots baking desserts and carousing at the playground

the octonauts and the frown fish kindle edition amazon com - Aug 03 2022

web oct 1 2014 724 ratings part of the octonauts 12 books see all formats and editions kindle 1 99 read with our free app
hardcover 12 19 56 used from 1 18 29 new from 9 98 the octonauts meet a fish who looks very sad can they make it smile
enjoy the original books that launched the hit animated tv show worldwide

the octonauts and the frown fish hardcover amazon com au - Sep 04 2022

web in the octonauts and the frown fish the crew finds a fish that frowns all the time they don t know why the fish frowns
because they don t speak frownese the octonauts are determined to cheer the fish up his book elicited the aww that s cute
reaction many times

the octonauts and the frownquestionnaire for hydroponic tomato business plan - Dec 28 2022

*web questionnaire for hydroponic tomato business plan the complete book on on tomato tomato products manufacturing
cultivation processing 2nd revised*

[hydroponic greenhouse farm business plan sample template](#) - Jan 17 2022

web oct 3 2023 questionnaire for hydroponic tomato business plan 2 6 downloaded from uniport edu ng on october 3 2023

by guest solution formulas and discusses the

hydroponic farming business plan sample 2023 - Oct 06 2023

are you looking for a type of business that will have immensely increased demand in the near future well you might like to start a hydroponics farm if you are a person with a knowledge of plants and if you can invest what is required for this

hydroponic farming business plan hydroponics farm business includes see more

[questionnaire for hydroponic tomato business plan](#) - Nov 14 2021

web questionnaire for hydroponic tomato business plan agri entrepreneurship training manual oct 05 2021 the complete book on onion garlic cultivation with processing

[questionnaire for hydroponic tomato business plan 2023](#) - Aug 04 2023

if you are going to start a hydroponic farming business plan you are fortunate enough in the case of the target market and marketing trends nowadays the concept see more

[questionnaire for hydroponic tomato business plan pdf](#) - Mar 19 2022

web sep 26 2023 questionnaire for hydroponic tomato business plan 2 4 downloaded from uniport edu ng on september 26 2023 by guest acres and eventually to a hillside

[questionnaire for hydroponic tomato business plan pdf](#) - Apr 19 2022

web questionnaire for hydroponic tomato business plan 1 questionnaire for hydroponic tomato business plan soilless culture theory and practice rural futures plant

tomato farming business plan sample template - Jun 02 2023

web hydroponic systems irrigation and control measures allows readers to achieve optimal performance state of the art book on all theoretical aspects of hydroponics and

questionnaire for hydroponic tomato business plan download - Jun 21 2022

web download and install the questionnaire for hydroponic tomato business plan it is entirely easy then since currently we extend the link to purchase and make bargains to

[questionnaire for hydroponic tomato business plan download](#) - Nov 26 2022

web questionnaire for hydroponic tomato business plan an economic analysis of integrating hydroponic tomato production into an indoor recirculating aquacultural

questionnaire for hydroponic tomato business plan 2022 - May 21 2022

web hydroponics a practical guide for the soilless grower has been revised to reflect these advances with new chapters that provide essential information on greenhouse design

hydroponics farm business plan template growthink - Sep 05 2023

it will be really helpful for you in future if you include your products and services in your hydroponics business plan template predetermining the services will see more

questionnaire for hydroponic tomato business plan - Jul 23 2022

web questionnaire for hydroponic tomato business plan planning a profitable hydroponic greenhouse business mar 20 2020

tribal sovereignty and the historical

questionnaire for hydroponic tomato business plan pdf - Sep 24 2022

web questionnaire for hydroponic tomato business plan author tristan winkler from orientation sutd edu sg subject

questionnaire for hydroponic tomato

questionnaire for hydroponic tomato business plan pdf - Feb 15 2022

web aug 23 2023 questionnaire for hydroponic tomato business plan is available in our book collection an online access to it is set as public so you can download it instantly

download free questionnaire for hydroponic tomato business - Aug 24 2022

web questionnaire for hydroponic tomato business plan downloaded from ai classmonitor com by guest reilly allen good agricultural practices for

questionnaire for hydroponic tomato business plan - Jul 03 2023

web a business plan will help you raise funding if needed and plan out the growth of your hydroponics farming business in order to improve your chances of success your

hydroponics farm business plan executive summary - Jan 29 2023

web this sample hydroponics business plan will provide an idea for writing a successful hydroponics plan including all the essential components of your business after this if

download free questionnaire for hydroponic tomato business - Dec 16 2021

web the total fee for incorporating the business hydroponics crops farm in united states of america 750 the budget for key insurance policies permits and business license

read free questionnaire for hydroponic tomato business plan - Feb 27 2023

web questionnaire for hydroponic tomato business plan downloaded from 2013 thecontemporaryaustin org by guest ramos klein urban horticulture macmillan

questionnaire for hydroponic tomato business plan - Oct 26 2022

web how to start and succeed in the hydroponics business survey of utah s tomato industry a comparative study of two hydroponic greenhouse types and four tomato varieties

questionnaire for hydroponic tomato business plan 2022 - May 01 2023

web questionnaire for hydroponic tomato business plan author eckhard herbig from orientation sutd edu sg subject questionnaire for hydroponic tomato

hydroponics business plan free template 2023 - Mar 31 2023

web a sample tomato farming business plan template 1 industry overview tomato farming is a niche idea in the hydroponics and vegetable farming industry and

about naoto fukasawa design - Jul 14 2023

web embodiment naoto fukasawa phaidon press 2019 wallpaper design awards best meals on wheels jia monolithic cookware 2018 isamu noguchi award 2015 good design award gold hitachi building systems human friendly concept model hf 1 elevator 2014 good design award gold muji consumer electronics series for

naoto fukasawa embodiment design amazon com tr - Feb 09 2023

web featuring more than 100 of his latest designs including furniture phones watches fashion luggage and accessories naoto fukasawa embodiment perfectly captures fukasawa s perspective on the dynamic interplay between people places and things
industrial designer naoto fukasawa on his creative process - Apr 30 2022

web march 19 2018 industrial designer naoto fukasawa on his creative process fukasawa who recently won the isamu noguchi award discusses the idea of embodiment in this excerpt from his forthcoming book from phaidon by naoto fukasawa fukasawa s hut design for muji japan 2017 photo kentauros yasunaga

embodiment design store phaidon - Feb 26 2022

web featuring more than 100 of his latest designs including furniture phones watches fashion luggage and accessories naoto fukasawa embodiment perfectly captures fukasawa s perspective on the dynamic interplay between people places and things
naoto fukasawa embodiment b b italia amazon com - Oct 05 2022

web mar 22 2018 featuring more than 100 of his latest designs including furniture phones watches fashion luggage and accessories naoto fukasawa embodiment perfectly captures fukasawa s perspective on the dynamic
naoto fukasawa embodiment naoto fukasawa design - Apr 11 2023

web apr 1 2018 naoto fukasawa embodiment april 1st 2018 a collection of naoto fukasawa s works was released by british publishing house phaidon this is the second collection of his works published by phaidon the first being naoto fukasawa published in 2007

naoto fukasawa embodiment gessato - Mar 10 2023

web naoto fukasawa embodiment pays homage to japan s best known product designer the celebrated creator has worked with a range of renowned brands and companies including issey miyake herman miller b b italia and driade among many others

naoto fukasawa embodiment by amazon on inspirationde - Aug 03 2022

web aug 16 2023 naoto fukasawa embodiment by amazon a brand new monograph on one of japan s best known product designers featuring more than 100 of his latest works amazon embodiment fukasawa naoto

naoto fukasawa embodiment naoto fukasawa google books - Jan 08 2023

web featuring more than 100 of his latest designs including furniture phones watches fashion luggage and accessories naoto fukasawa embodiment perfectly captures fukasawa s perspective on the dynamic interplay between people places and things it places the designer s products into the context of the contemporary design world and offers a

naoto fukasawa embodiment minimalissimo - Jun 13 2023

web naoto fukasawa embodiment a brand new monograph on one of japan s best known product designers featuring more than 100 of his latest works

embodiment naoto fukasawa naoto fukasawa design - Dec 27 2021

web embodiment naoto fukasawa chinese edition embodiment naoto fukasawa yuugu ambient 日本设计家 藤原 野矢 的 15 件 设计 naoto fukasawa the outline 日本设计家 藤原 野矢 的 15 件 设计

15 products designed by naoto fukasawa that we love dwell - Jun 01 2022

web oct 14 2019 emeco za low stool lumens with a softly rounded top and simple legs the za low stool by emeco is a design from naoto fukasawa who wanted to give people a multi functional long lasting piece za means a place to sit in japanese and this practical piece offers spaces just that shop magis deja vu oval table lumens

pandora naoto fukasawa embodiment naoto fukasawa - Jan 28 2022

web naoto fukasawa embodiment naoto fukasawa phaidon 9780714876078 kitap satıŝ sÖzleşmesİ publications naoto fukasawa design - Jul 02 2022

web embodiment naoto fukasawa chinese edition embodiment naoto fukasawa yuugu ambient lifestyle item design by naoto fukasawa the boundary between kogeï and design naoto fukasawa the outline the unseen outline for things naoto fukasawa outline in design the ecological approach to design

embodiment by naoto fukasawa waterstones - May 12 2023

web mar 23 2018 featuring more than 100 of his latest designs including furniture phones watches fashion luggage and accessories naoto fukasawa embodiment perfectly captures fukasawa s perspective on the dynamic

buy naoto fukasawa embodiment book online at low prices in - Nov 06 2022

web amazon in buy naoto fukasawa embodiment book online at best prices in india on amazon in read naoto fukasawa embodiment book reviews author details and more at amazon in free delivery on qualified orders

naoto fukasawa embodiment fukasawa naoto - Mar 30 2022

web abebooks com naoto fukasawa embodiment 9780714876078 by fukasawa naoto and a great selection of similar new used and collectible books available now at great prices

embodiment naoto fukasawa design - Sep 04 2022

web author naoto fukasawa publisher phaidon press u k published year 2018

naoto fukasawa embodiment amazon com - Aug 15 2023

web mar 23 2018 featuring more than 100 of his latest designs including furniture phones watches fashion luggage and accessories naoto fukasawa embodiment perfectly captures fukasawa s perspective on the dynamic

naoto fukasawa embodiment by naoto fukasawa goodreads - Dec 07 2022

web featuring more than 100 of his latest designs including furniture phones watches fashion luggage and accessories naoto embodiment perfectly captures fukasawa s perspective on the dynamic interplay between people places and things