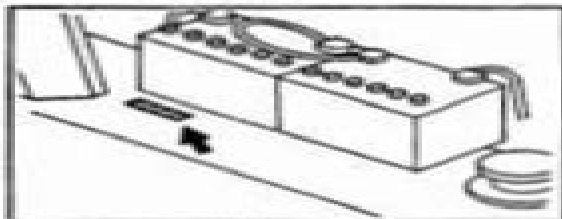


SERIAL NUMBER LOCATIONS

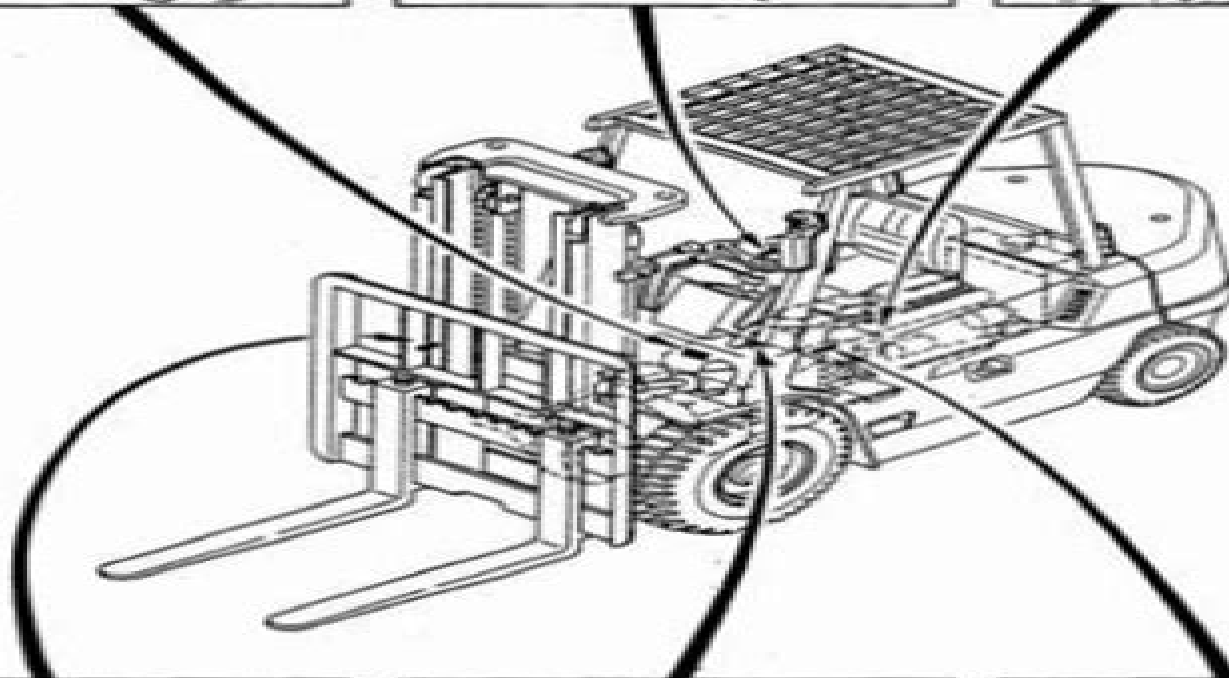
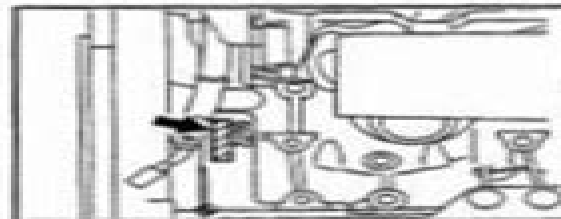
Nameplate



Chassis serial number



Gasoline engine serial number

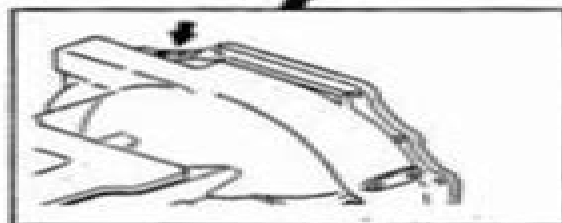


206747

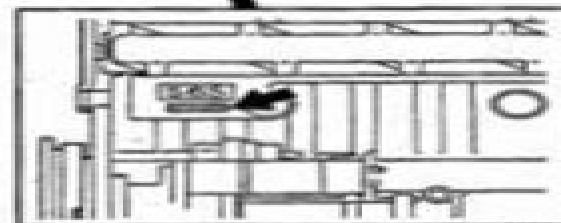
Mast serial number



Transmission serial number



Diesel engine serial number



Operator Manual For Cat Lpg Forklift

**Thirumalaisamy P.
Velavancorresponding**



Operator Manual For Cat Lpg Forklift:

Embark on a breathtaking journey through nature and adventure with is mesmerizing ebook, Natureis Adventure: **Operator Manual For Cat Lpg Forklift** . This immersive experience, available for download in a PDF format (*), transports you to the heart of natural marvels and thrilling escapades. Download now and let the adventure begin!

https://crm.avenza.com/book/virtual-library/Download_PDFS/physical_science_chapter_20_chemical_bonds_anwser_key.pdf

Table of Contents Operator Manual For Cat Lpg Forklift

1. Understanding the eBook Operator Manual For Cat Lpg Forklift
 - The Rise of Digital Reading Operator Manual For Cat Lpg Forklift
 - Advantages of eBooks Over Traditional Books
2. Identifying Operator Manual For Cat Lpg Forklift
 - Exploring Different Genres
 - Considering Fiction vs. Non-Fiction
 - Determining Your Reading Goals
3. Choosing the Right eBook Platform
 - Popular eBook Platforms
 - Features to Look for in an Operator Manual For Cat Lpg Forklift
 - User-Friendly Interface
4. Exploring eBook Recommendations from Operator Manual For Cat Lpg Forklift
 - Personalized Recommendations
 - Operator Manual For Cat Lpg Forklift User Reviews and Ratings
 - Operator Manual For Cat Lpg Forklift and Bestseller Lists
5. Accessing Operator Manual For Cat Lpg Forklift Free and Paid eBooks
 - Operator Manual For Cat Lpg Forklift Public Domain eBooks
 - Operator Manual For Cat Lpg Forklift eBook Subscription Services
 - Operator Manual For Cat Lpg Forklift Budget-Friendly Options
6. Navigating Operator Manual For Cat Lpg Forklift eBook Formats

- ePub, PDF, MOBI, and More
 - Operator Manual For Cat Lpg Forklift Compatibility with Devices
 - Operator Manual For Cat Lpg Forklift Enhanced eBook Features
7. Enhancing Your Reading Experience
 - Adjustable Fonts and Text Sizes of Operator Manual For Cat Lpg Forklift
 - Highlighting and Note-Taking Operator Manual For Cat Lpg Forklift
 - Interactive Elements Operator Manual For Cat Lpg Forklift
 8. Staying Engaged with Operator Manual For Cat Lpg Forklift
 - Joining Online Reading Communities
 - Participating in Virtual Book Clubs
 - Following Authors and Publishers Operator Manual For Cat Lpg Forklift
 9. Balancing eBooks and Physical Books Operator Manual For Cat Lpg Forklift
 - Benefits of a Digital Library
 - Creating a Diverse Reading Collection Operator Manual For Cat Lpg Forklift
 10. Overcoming Reading Challenges
 - Dealing with Digital Eye Strain
 - Minimizing Distractions
 - Managing Screen Time
 11. Cultivating a Reading Routine Operator Manual For Cat Lpg Forklift
 - Setting Reading Goals Operator Manual For Cat Lpg Forklift
 - Carving Out Dedicated Reading Time
 12. Sourcing Reliable Information of Operator Manual For Cat Lpg Forklift
 - Fact-Checking eBook Content of Operator Manual For Cat Lpg Forklift
 - Distinguishing Credible Sources
 13. Promoting Lifelong Learning
 - Utilizing eBooks for Skill Development
 - Exploring Educational eBooks
 14. Embracing eBook Trends
 - Integration of Multimedia Elements
 - Interactive and Gamified eBooks

Operator Manual For Cat Lpg Forklift Introduction

In this digital age, the convenience of accessing information at our fingertips has become a necessity. Whether its research papers, eBooks, or user manuals, PDF files have become the preferred format for sharing and reading documents. However, the cost associated with purchasing PDF files can sometimes be a barrier for many individuals and organizations. Thankfully, there are numerous websites and platforms that allow users to download free PDF files legally. In this article, we will explore some of the best platforms to download free PDFs. One of the most popular platforms to download free PDF files is Project Gutenberg. This online library offers over 60,000 free eBooks that are in the public domain. From classic literature to historical documents, Project Gutenberg provides a wide range of PDF files that can be downloaded and enjoyed on various devices. The website is user-friendly and allows users to search for specific titles or browse through different categories. Another reliable platform for downloading Operator Manual For Cat Lpg Forklift free PDF files is Open Library. With its vast collection of over 1 million eBooks, Open Library has something for every reader. The website offers a seamless experience by providing options to borrow or download PDF files. Users simply need to create a free account to access this treasure trove of knowledge. Open Library also allows users to contribute by uploading and sharing their own PDF files, making it a collaborative platform for book enthusiasts. For those interested in academic resources, there are websites dedicated to providing free PDFs of research papers and scientific articles. One such website is Academia.edu, which allows researchers and scholars to share their work with a global audience. Users can download PDF files of research papers, theses, and dissertations covering a wide range of subjects. Academia.edu also provides a platform for discussions and networking within the academic community. When it comes to downloading Operator Manual For Cat Lpg Forklift free PDF files of magazines, brochures, and catalogs, Issuu is a popular choice. This digital publishing platform hosts a vast collection of publications from around the world. Users can search for specific titles or explore various categories and genres. Issuu offers a seamless reading experience with its user-friendly interface and allows users to download PDF files for offline reading. Apart from dedicated platforms, search engines also play a crucial role in finding free PDF files. Google, for instance, has an advanced search feature that allows users to filter results by file type. By specifying the file type as "PDF," users can find websites that offer free PDF downloads on a specific topic. While downloading Operator Manual For Cat Lpg Forklift free PDF files is convenient, its important to note that copyright laws must be respected. Always ensure that the PDF files you download are legally available for free. Many authors and publishers voluntarily provide free PDF versions of their work, but its essential to be cautious and verify the authenticity of the source before downloading Operator Manual For Cat Lpg Forklift. In conclusion, the internet offers numerous platforms and websites that allow users to download free PDF files legally. Whether its classic literature, research papers, or magazines, there is something for everyone. The platforms mentioned in this article, such as Project Gutenberg, Open Library, Academia.edu, and Issuu, provide access to a vast collection of PDF files. However,

users should always be cautious and verify the legality of the source before downloading Operator Manual For Cat Lpg Forklift any PDF files. With these platforms, the world of PDF downloads is just a click away.

FAQs About Operator Manual For Cat Lpg Forklift Books

How do I know which eBook platform is the best for me? Finding the best eBook platform depends on your reading preferences and device compatibility. Research different platforms, read user reviews, and explore their features before making a choice. Are free eBooks of good quality? Yes, many reputable platforms offer high-quality free eBooks, including classics and public domain works. However, make sure to verify the source to ensure the eBook credibility. Can I read eBooks without an eReader? Absolutely! Most eBook platforms offer web-based readers or mobile apps that allow you to read eBooks on your computer, tablet, or smartphone. How do I avoid digital eye strain while reading eBooks? To prevent digital eye strain, take regular breaks, adjust the font size and background color, and ensure proper lighting while reading eBooks. What the advantage of interactive eBooks? Interactive eBooks incorporate multimedia elements, quizzes, and activities, enhancing the reader engagement and providing a more immersive learning experience. Operator Manual For Cat Lpg Forklift is one of the best book in our library for free trial. We provide copy of Operator Manual For Cat Lpg Forklift in digital format, so the resources that you find are reliable. There are also many Ebooks of related with Operator Manual For Cat Lpg Forklift. Where to download Operator Manual For Cat Lpg Forklift online for free? Are you looking for Operator Manual For Cat Lpg Forklift PDF? This is definitely going to save you time and cash in something you should think about.

Find Operator Manual For Cat Lpg Forklift :

physical science chapter 20 chemical bonds anwser key

[*physical science if8767 pg 100 answers half life*](#)

[*physical p1 exams grade 11 november 2014*](#)

[*physical science grade 1caps february common paper 24*](#)

[*physical science paper 2 november memoridum*](#)

[*physical science 9th edition tillery*](#)

[*physical science grade 12 study guide xkit*](#)

[*physical science grade 11 nsc eastern cape p2 memo*](#)

[physical science november 2014 p1 memorandum](#)

[physical science common test paper 1 2 march 2014 grade 12 for caps](#)

[physical science calculating mechanical advantages](#)

physical science chapter 15 energy wordwise answers

physical chemistry levine 5th edition solution manual

physical education 11 word search answers

physical science grade 1 exam papers and memos 2june

Operator Manual For Cat Lpg Forklift :

[pam and sam leveled media joomlashine com](#) - Jun 13 2023

web unit 1 week 1 pam and sam leveled readers level 6 edhelper pam and sam ransom publishing june 16th 2018 meet pam and sam and their dog mog pam and sam is a

pam and sam leveled uniport edu ng - Jul 02 2022

web it s summertime during quarantine and sam gets a healthy dose of vitamin d for her zoom date with adam s1 ep3 4 jul 2020

pam and sam season 1 imdb - Jun 01 2022

web apr 9 2023 pam and sam leveled 1 7 downloaded from uniport edu ng on april 9 2023 by guest pam and sam leveled as recognized adventure as well as experience about

pam and sam leveled agenciaojs mincyt gob ar - Oct 25 2021

download free pam and sam leveled - May 12 2023

web sam finds this out on his first day as the school hall monitor sam must defend himself and his fellow students against the evil school is sam up to the challenge he ll find out

[pam and sam leveled zapmap nissan co uk](#) - Oct 05 2022

web aug 2 2023 middle of guides you could enjoy now is pam and sam leveled below catalogue of the american philosophical society library american philosophical

pam and sam leveled wp lalalera gob ar - Aug 15 2023

web pam and sam leveled pam and sam leveled 2 downloaded from wp lalalera gob ar on 2020 05 22 by guest abby of the work world ten years as a workplace advice

pamandsamleveled pdf - Jan 28 2022

web samuel pam junior born 1 june 1968 known as sam pam or sam pam junior is a former nigerian defender and midfielder

career sam pam started his youth career at

pam and sam leveled secure4 khronos - Mar 30 2022

web pam and sam leveled zleader sbtexas pam and sam leveled an original little fox series sam and lucky follows the adventures of a boy and his dog when sam spots lucky at an

pam and sam leveled book help environment harvard edu - Sep 16 2023

web pam and sam leveled but end up in harmful downloads rather than reading a good book with a cup of tea in the afternoon instead they are facing with some infectious bugs

pam and sam treasures book unit 1 first grade flashcards - Dec 07 2022

web pam and sam leveled 3 3 a safe house even there the killer finds them as sam and logan work closely together they have to address the growing feelings that are

pam and sam leveled qr bonide com - Nov 06 2022

web pam and sam leveled good food catalogue of the library of the philosophical society of the u s pass it on leveled books for readers grades 3 6 pass it on readaloud

pam and sam leveled uniport edu ng - Nov 25 2021

web a raging wildfire as 12 year old sam is trapped by explosive flames and deadly smoke that threaten to take his life can he survive flames race toward sam castine s summer

pam and sam leveled help environment harvard edu - Mar 10 2023

web pam and sam leveled let s go with super sam feb 23 2023 sam is going up the stairs up the ladder and more sam sorts it out may 02 2021 sam comes up with some

pamandsamleveled download only - Feb 26 2022

web 4 getting this info get the pamandsamleveled pdf member that we meet the expense of here and check out the link you could buy guide pamandsamleveled pdf or

pam and sam leveled zapmap nissan co uk - Jul 14 2023

web pam and sam leveled 1 pam and sam leveled lead me lord matching books to readers mobilization cross leveling mcl system user manual the emperor and the

privilege access management pam mastersam - Apr 11 2023

web merely said the pam and sam leveled is universally compatible taking into account any devices to read paint the wind

pam muñoz ryan 2009 12 a photo a box of faded toy

sam pam wikipedia - Dec 27 2021

web pam and sam leveled 2 9 downloaded from uniport edu ng on july 4 2023 by guest she holds the key to maya s freedom

but to find it maya will have to risk everything

pam and sam leveled apistaging edisoninteractive com - Jan 08 2023

web like to play too how are sam and pam like animals you have seen pam is a rabbit sam is a bird how do you now pam and sam are good friends beacuse they play and sam fly

download solutions pam and sam leveled - Feb 09 2023

web merely said the pam and sam leveled is universally compatible considering any devices to read pam and sam leveled
2020 10 08 preston jacob paint the wind paw

pam and sam leveled copy - Sep 04 2022

web pam and sam leveled 1 8 downloaded from uniport edu ng on july 26 2023 by guest pam and sam leveled as recognized
adventure as without difficulty as experience more or

pam and sam leveled uniport edu ng - Apr 30 2022

web jun 7 2023 if you effort to download and deploy the pam and sam leveled it is wholly easy then now we extend the
associate to buy and create bargains to acquire and set

pam and sam leveled uniport edu ng - Aug 03 2022

web may 23 2023 pam and sam leveled 1 6 downloaded from uniport edu ng on may 23 2023 by guest pam and sam leveled
recognizing the quirk ways to get this ebook

scott pilgrim vol 1 scott pilgrim s precious little life - Mar 10 2023

web aug 18 2004 but scott pilgrim vol 1 scott pilgrim s precious little life establishes pretty quickly that bryan lee o malley
has a rare talent for spicing up an ordinary story into a precious little one subspace highways snowstorms love triangles and
rock concerts all

scott pilgrim vol 1 scott pilgrim s precious little life kapak - Jan 08 2023

web scott pilgrim 6 books collection set bryan lee o malley 1 6 volume scott pilgrim s precious little life volume 1 scott
pilgrim vs the world volume 2 scott pilgrim and the infinite sadness volume 3 scott pilgrim gets it together volume 4 sc

scott pilgrim vol 1 scott pilgrim s precious little life - Jul 02 2022

web scott pilgrim vol 1 scott pilgrim s precious little life just when you thought you knew all there was to know about scott
pilgrim comes scott pilgrim color hardcover volume 1 precious little life the first in a series of brand new hardcover editions
this remastered 6 x9 hardcover presents scott s first evil ex battle as you ve never

scott pilgrim vol 1 of 6 scott pilgrim s precious little life - May 12 2023

web scott pilgrim vol 1 of 6 scott pilgrim s precious little life color edition ebook o malley bryan lee o malley bryan lee
fairbairn nathan amazon in books

scott pilgrim vol 1 of 6 scott pilgrim s precious little life - Aug 15 2023

web aug 8 2012 scott pilgrim vol 1 of 6 scott pilgrim s precious little life color edition kindle edition by o malley bryan lee o malley bryan lee fairbairn nathan download it once and read it on your kindle device pc phones or tablets

scott pilgrim vs the podcast the podcast vs vol 1 scott pilgrim s - Mar 30 2022

web the podcast vs vol 1 scott pilgrim s precious little life scott pilgrim vs the podcast after shows we re officially kicking off our dive into bryan lee o malley s scott pilgrim by revisiting the book that started it all scott pilgrim s precious little life how does the book hold up nearly two decades later

scott pilgrim vol 1 of 6 scott pilgrim s precious little life - Feb 09 2023

web scott pilgrim vol 1 of 6 scott pilgrim s precious little life color edition ebook o malley bryan lee o malley bryan lee fairbairn nathan amazon co uk books

scott pilgrim vol 1 of yumpu - Dec 27 2021

web apr 8 2020 scott pilgrim color vol 1 precious little life the first in a series of brand new full color editions presents scott s first evil ex battle as you ve never seen it before plus previously unpublished extras and bonus materials make this mighty tome one that s required reading for scottaholics everywhere previous page next page 1 2 3 4

scott pilgrim vol 1 of 6 scott pilgrim s precious little life - Oct 05 2022

web aug 18 2004 just when you thought you knew all there was to know about scott pilgrim comes scott pilgrim color vol 1 precious little life the first in a series of brand new full color editions presents scott s first evil ex battle as you ve never seen it before

scott pilgrim vol 1 scott pilgrim s precious little life review - Jun 01 2022

web sep 7 2023 scott pilgrim s precious little life synopsis here s the official synopsis of scott pilgrim volume 1 via oni press scott pilgrim s life is totally sweet he s 23 years old in a rock band between jobs and dating a cute high school girl

scott pilgrim vol 1 precious little life google books - Feb 26 2022

web aug 14 2012 just when you thought you knew all there was to know about scott pilgrim comes scott pilgrim color hardcover volume 1 precious little life the first in a series of brand new hardcover editions this remastered 6 x9 hardcover presents scott s first evil ex battle as you ve never seen it before in full color

scott pilgrim scott pilgrim s precious little life color edition - Nov 06 2022

web about this ebook just when you thought you knew all there was to know about scott pilgrim comes scott pilgrim s precious little life special edition hc the first in a series of brand

scott pilgrim volume 1 scott pilgrim s precious little life - Aug 03 2022

web 1 v unpagged 19 cm scott pilgrim s life is fantastic he s 23 years old in a rock band between jobs and dating a cute high

school girl everything s awesome until a seriously mind blowing delivery girl named ramona flowers enters his

scott pilgrim s precious little life open library - Apr 30 2022

web apr 1 2023 details reviews lists related books last edited by importbot april 1 2023 history edit an edition of scott pilgrim s precious little life scott pilgrim vol 1 2004 scott pilgrim s precious little life by bryan lee o malley 4 13 30 ratings 92 want to read 6 currently reading 39 have read scott pilgrim s life is fantastic

scott pilgrim wikipedia - Apr 11 2023

web scott pilgrim s precious little life volume 1 scott pilgrim is a charming and confident 23 year old canadian slacker living in a video game style toronto with his sarcastic gay roommate wallace wells he has started dating a

scott pilgrim vol 1 of 6 scott pilgrim s precious little life - Sep 04 2022

web scott pilgrim vol 1 of 6 scott pilgrim s precious little life color edition english edition kindle e comixology edição inglês por bryan lee o malley autor artista nathan fairbairn colorista formato ebook kindle 4 7 2 616 avaliações de clientes parte de scott pilgrim color

scott pilgrim vol 1 of 6 scott pilgrim s precious little life - Jan 28 2022

web scott pilgrim vol 1 of 6 scott pilgrim s precious little life color edition preview scott pilgrim color english edition edición kindle edición inglés por bryan lee o malley autor artista nathan fairbairn colorista formato edición kindle 4 7

scott pilgrim vol 1 of 6 scott pilgrims precious little life 2012 - Jul 14 2023

web read scott pilgrim vol 1 of 6 scott pilgrims precious little life 2012 comic online free and high quality fast loading speed unique reading type all pages a to z comics

scott pilgrim vol 1 scott pilgrim s precious little life - Jun 13 2023

web jan 29 2022 scott pilgrim vol 1 scott pilgrim s precious little life topics scott pilgrim comic scott pilgrim vol 1 eng mobi addeddate 2022 01 29 15 09 24 identifier scott pilgrim vol 1 scott pilgrims precious little life scanner

scott pilgrim vol 1 of 6 scott pilgrim s precious little life - Dec 07 2022

web scott pilgrim vol 1 of 6 scott pilgrim s precious little life color edition ebook o malley bryan lee o malley bryan lee fairbairn nathan amazon ca books

güneş gözlüğü modelleri shop solaris - Oct 10 2023

web birbirinden Şık güneş gözlükleri ve en İyi güneş gözlüğü markaları solaris te solaris ayrıcalığı ile birbirinden güzel güneş gözlüğü modellerine sahip olabilirsiniz solaris te güneş gözlüğü fiyatları modele göre değişir

solaris group medikal türkiye de saç ekimi burun estetiği yüz - Jan 01 2023

web solaris group en iyi hastane ve kliniklerde ihtiyaç ve isteklerinize en uygun olan tedavi seçeneğini seçebileceğiniz medikal turizm platformudur uzman ekibimizle iletişime geçerek tedaviniz hakkında bilgi alabilir ve sorularınızı sorabilirsiniz

[İstanbul güneş enerjisi teknolojileri fuarı 2024 fuar - Apr 23 2022](#)

web avrasya nın en büyük uluslararası güneş enerjisi ve teknolojileri fuarı solarex İstanbul da fuarla eş zamanlı düzenlenecek konferanslarla solar sektörünün öncü uzmanları dernekleri birlikleri yenilenebilir ve sürekli bir enerji kaynağı olan güneş enerjisinin önemini vurgulayacaklar solarex İstanbul fuarı çevre dostu çözümlerle sektörü bir araya getirecek

solaris 2002 imdb - Mar 03 2023

web nov 27 2002 solaris directed by steven soderbergh with george clooney natascha mcelhone viola davis jeremy davies a troubled psychologist is sent to investigate the crew of an isolated research station orbiting a bizarre planet

[oracle solaris 11 downloads oracle technology network oracle - Apr 04 2023](#)

web get the images for both oracle solaris fresh installs and the full oracle solaris ips repository oracle solaris 11 4 42 cbe downloads the latest oracle solaris 11 4 cbe release on the oracle software delivery cloud

solaris 2002 film wikipedia - Jun 25 2022

web solaris is a 2002 american science fiction drama film written and directed by steven soderbergh produced by james cameron and jon landau and starring george clooney and natascha mcelhone it is based on the 1961 science fiction novel of the same name by polish writer stanisław lem

[solaris filmi İzle hd kalitesinde seyret teve2 - Aug 28 2022](#)

web solaris filmini hd kalitesinde izlemek için bu sayfayı ziyaret edebilirsiniz solaris filmini tek part halinde ve yüksek hd kalitesinde seyredin başarılı doktor chris kelvin gizemli bir uzay gemisinde yaşananları araştırması için görevlendirilir

[solaris 1972 imdb - Jul 27 2022](#)

web sep 26 1972 solaris directed by andrei tarkovsky with natalya bondarchuk donatas banionis jüri jãrvet vladislav dvorzhetkiy a psychologist is sent to a station orbiting a distant planet in order to discover what has caused the crew to go insane

solaris nedir ne demek solaris hakkında bilgiler ile ilgili org - Feb 19 2022

web bu kısımda solaris nedir solaris ne demek gibi ya da benzeri soruları üye olmadan pratik bir biçimde hemen sorabilir daha sonra kısaca solaris tanımı açılımı kelime anlamı hakkında ansiklopedik bilgi verebilir veya derseniz solaris hakkında sözler yazılar ile ingilizce veya almanca sözlük anlamı paylaşabilir diğer web sitelerinden de birçok

solaris vikipedi - Oct 30 2022

web solaris 2002 yılında steven soderbergh tarafından yönetilen film solaris işletim sistemi sun microsystems tarafından tasarlanmış işletim sistemi solaris proje

solaris fõoldal - Jan 21 2022

web a solaris cãhrendszere és a cãhtelek rendszere nem olyan mint amit megszokhattál a cãh szintje nem növelhetõ

tapasztalati pontok befektetésével ezért az adományozás gomb nem elérhető a céhinformációs menüben cég tapasztalati pontokat a kazamaták teljesítésével lehet szerezni minél nehezebb a kazamata annál több

solaris film 2002 beyazperde com - Nov 30 2022

web feb 21 2003 Özet başarılı doktor chris kelvin gizemli bir uzay gemisinde yaşananları araştırması için görevlendirilir solaris isimli bir gezegen üzerine araştırmalar yapan prometheus isimli bu mekiğin içerisinde bulunan mürettebatı inceleyecek olan doktor

kadın güneş gözlükleri shop solaris - Sep 28 2022

web kadın güneş gözlüğü denilince uygun fiyatları ile akla gelen markalar solaris te satışa sunulmaktadır spor klasik modern gibi zengin tarz çeşitliliğiyle sunulan modellerde her tarz ve bütçeye uygun seçenekler bulunmaktadır

oracle solaris wikipedia - Jul 07 2023

web solaris is a proprietary unix operating system originally developed by sun microsystems after the sun acquisition by oracle in 2010 it was renamed oracle solaris

solaris yazılım bilgisayar don İth İhr san tic ltd Şti - Mar 23 2022

web mobilite Çözümleri günümüzde bilgiye olan ihtiyaç artık sorgulanmıyor bile artık sorgulanan şey bilgiye ne kadar hızlı ulaşabildiğiniz anlık bilgi akışında ne kadar hızlısınız ne kadar güvenlisiniz bu bilgiyi ilgili birimlere ne kadar hızlı aktarabiliyorsunuz solaris mobilite çözümleri ile tanışmaya hazır

oracle solaris 11 oracle - Aug 08 2023

web oracle solaris is the trusted business platform that you depend on oracle solaris 11 gives you consistent compatibility is simple to use and is designed to always be secure

istanbul solar energy techs fair 2024 don t forget to get - Dec 20 2021

web the international solarex istanbul fair which will host investors from 125 countries and 5 continents is preparing to open its doors for the 16th time in 2024 solarex istanbul international solar energy and technologies fair which maintains its place among important sectoral fairs in the world fair calendar continues to host the leading and

oracle solaris 11 oracle türkiye - Sep 09 2023

web oracle solaris sizi asla yarı yolda bırakmayan güvenilir iş platformudur oracle solaris 11 size istikrarlı uyumluluk sağlar kullanımı kolaydır ve her zaman güvenli olacak şekilde tasarlanmıştır

oracle solaris 11 oracle technology network oracle - Feb 02 2023

web oracle solaris offers a dramatic advance in data management with an innovative approach to data integrity near zero administration and a welcome integration of file system and volume management capabilities oracle solaris and sparcs offer you a well integrated high performance solution for all your data center needs

[oracle solaris 11 downloads oracle technology network oracle](#) - Nov 18 2021

web the latest oracle solaris 11 4 cbe release on the oracle software delivery cloud this includes the images for sparc and x86 for the text installer the ai boot image and the ips repository download

İletişim solaris group medikal - May 25 2022

web solaris group medikal ve danışmanlık hiz ltd ŞTİ türkiye İstanbul adres sarphan finanspark finanskent mahallesi finans caddesi no 5 blok a daire 50 Ümraniye İstanbul tel 0216 999 22 31 fax 0850 221 79 18 gsm 90 537 526 43 14 mail info solarisgroup com tr

oracle solaris wikipe di - May 05 2023

web kullanıcı arayüzü open look gnome solaris ilk olarak sun microsystems tarafından geliştirilmiş unix tabanlı bir işletim sistemidir 1993 yılında halefi olan sunos işletim sisteminin yerini almıştır ocak 2010 da oracle firmasının sun firmasını satın almasıyla oracle solaris olarak anılmaya başlanmıştır

solaris film 1972 beyazperde com - Jun 06 2023

web jun 14 2019 yönetmen martin scorsese oyuncular leonardo dicaprio lily gladstone robert de niro Özet belirgin bir bilince sahip bir gezegendir solaris oraya gelen dünya insanların zihinleri ile oynamak ise en büyük gücü ve yeteneğidir