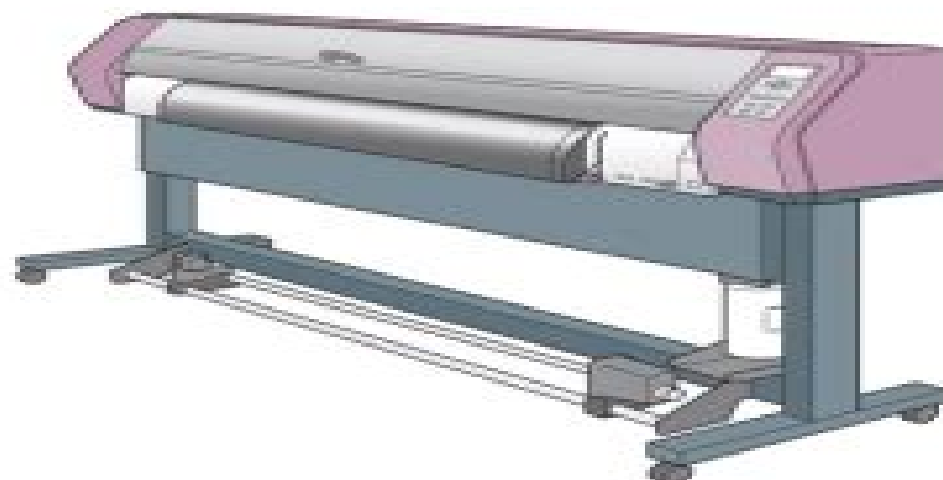


Mimaki

JV3-130SL

OPERATION MANUAL



MIMAKI ENGINEERING CO., LTD.

TKB Gokuryama Building, 5-9-41, Kobashinogawa, Shinjyawa-ku, Tokyo 141-0001, Japan

Phone: +81-3-5420-8671 Fax: +81-3-5420-8687

URL: <http://www.mimaki.co.jp/>

E-mail: trading@mimaki.co.jp

D201427

Operation Manual Mimaki Engineering Co Ltd

M Mark



Operation Manual Mimaki Engineering Co Ltd:

As recognized, adventure as competently as experience practically lesson, amusement, as without difficulty as covenant can be gotten by just checking out a books **Operation Manual Mimaki Engineering Co Ltd** plus it is not directly done, you could resign yourself to even more not far off from this life, roughly speaking the world.

We allow you this proper as well as easy mannerism to get those all. We have enough money Operation Manual Mimaki Engineering Co Ltd and numerous ebook collections from fictions to scientific research in any way. along with them is this Operation Manual Mimaki Engineering Co Ltd that can be your partner.

https://crm.avenza.com/results/scholarship/HomePages/Service_Manual_Commodore_1701_1702_Monitor.pdf

Table of Contents Operation Manual Mimaki Engineering Co Ltd

1. Understanding the eBook Operation Manual Mimaki Engineering Co Ltd
 - The Rise of Digital Reading Operation Manual Mimaki Engineering Co Ltd
 - Advantages of eBooks Over Traditional Books
2. Identifying Operation Manual Mimaki Engineering Co Ltd
 - Exploring Different Genres
 - Considering Fiction vs. Non-Fiction
 - Determining Your Reading Goals
3. Choosing the Right eBook Platform
 - Popular eBook Platforms
 - Features to Look for in an Operation Manual Mimaki Engineering Co Ltd
 - User-Friendly Interface
4. Exploring eBook Recommendations from Operation Manual Mimaki Engineering Co Ltd
 - Personalized Recommendations
 - Operation Manual Mimaki Engineering Co Ltd User Reviews and Ratings
 - Operation Manual Mimaki Engineering Co Ltd and Bestseller Lists
5. Accessing Operation Manual Mimaki Engineering Co Ltd Free and Paid eBooks

- Operation Manual Mimaki Engineering Co Ltd Public Domain eBooks
 - Operation Manual Mimaki Engineering Co Ltd eBook Subscription Services
 - Operation Manual Mimaki Engineering Co Ltd Budget-Friendly Options
6. Navigating Operation Manual Mimaki Engineering Co Ltd eBook Formats
- ePub, PDF, MOBI, and More
 - Operation Manual Mimaki Engineering Co Ltd Compatibility with Devices
 - Operation Manual Mimaki Engineering Co Ltd Enhanced eBook Features
7. Enhancing Your Reading Experience
- Adjustable Fonts and Text Sizes of Operation Manual Mimaki Engineering Co Ltd
 - Highlighting and Note-Taking Operation Manual Mimaki Engineering Co Ltd
 - Interactive Elements Operation Manual Mimaki Engineering Co Ltd
8. Staying Engaged with Operation Manual Mimaki Engineering Co Ltd
- Joining Online Reading Communities
 - Participating in Virtual Book Clubs
 - Following Authors and Publishers Operation Manual Mimaki Engineering Co Ltd
9. Balancing eBooks and Physical Books Operation Manual Mimaki Engineering Co Ltd
- Benefits of a Digital Library
 - Creating a Diverse Reading Collection Operation Manual Mimaki Engineering Co Ltd
10. Overcoming Reading Challenges
- Dealing with Digital Eye Strain
 - Minimizing Distractions
 - Managing Screen Time
11. Cultivating a Reading Routine Operation Manual Mimaki Engineering Co Ltd
- Setting Reading Goals Operation Manual Mimaki Engineering Co Ltd
 - Carving Out Dedicated Reading Time
12. Sourcing Reliable Information of Operation Manual Mimaki Engineering Co Ltd
- Fact-Checking eBook Content of Operation Manual Mimaki Engineering Co Ltd
 - Distinguishing Credible Sources
13. Promoting Lifelong Learning
- Utilizing eBooks for Skill Development

- Exploring Educational eBooks

14. Embracing eBook Trends

- Integration of Multimedia Elements
- Interactive and Gamified eBooks

Operation Manual Mimaki Engineering Co Ltd Introduction

In today's digital age, the availability of Operation Manual Mimaki Engineering Co Ltd books and manuals for download has revolutionized the way we access information. Gone are the days of physically flipping through pages and carrying heavy textbooks or manuals. With just a few clicks, we can now access a wealth of knowledge from the comfort of our own homes or on the go. This article will explore the advantages of Operation Manual Mimaki Engineering Co Ltd books and manuals for download, along with some popular platforms that offer these resources. One of the significant advantages of Operation Manual Mimaki Engineering Co Ltd books and manuals for download is the cost-saving aspect. Traditional books and manuals can be costly, especially if you need to purchase several of them for educational or professional purposes. By accessing Operation Manual Mimaki Engineering Co Ltd versions, you eliminate the need to spend money on physical copies. This not only saves you money but also reduces the environmental impact associated with book production and transportation. Furthermore, Operation Manual Mimaki Engineering Co Ltd books and manuals for download are incredibly convenient. With just a computer or smartphone and an internet connection, you can access a vast library of resources on any subject imaginable. Whether you're a student looking for textbooks, a professional seeking industry-specific manuals, or someone interested in self-improvement, these digital resources provide an efficient and accessible means of acquiring knowledge. Moreover, PDF books and manuals offer a range of benefits compared to other digital formats. PDF files are designed to retain their formatting regardless of the device used to open them. This ensures that the content appears exactly as intended by the author, with no loss of formatting or missing graphics. Additionally, PDF files can be easily annotated, bookmarked, and searched for specific terms, making them highly practical for studying or referencing. When it comes to accessing Operation Manual Mimaki Engineering Co Ltd books and manuals, several platforms offer an extensive collection of resources. One such platform is Project Gutenberg, a nonprofit organization that provides over 60,000 free eBooks. These books are primarily in the public domain, meaning they can be freely distributed and downloaded. Project Gutenberg offers a wide range of classic literature, making it an excellent resource for literature enthusiasts. Another popular platform for Operation Manual Mimaki Engineering Co Ltd books and manuals is Open Library. Open Library is an initiative of the Internet Archive, a non-profit organization dedicated to digitizing cultural artifacts and making them accessible to the public. Open Library hosts millions of books, including both public domain works and contemporary titles. It also allows users to

borrow digital copies of certain books for a limited period, similar to a library lending system. Additionally, many universities and educational institutions have their own digital libraries that provide free access to PDF books and manuals. These libraries often offer academic texts, research papers, and technical manuals, making them invaluable resources for students and researchers. Some notable examples include MIT OpenCourseWare, which offers free access to course materials from the Massachusetts Institute of Technology, and the Digital Public Library of America, which provides a vast collection of digitized books and historical documents. In conclusion, Operation Manual Mimaki Engineering Co Ltd books and manuals for download have transformed the way we access information. They provide a cost-effective and convenient means of acquiring knowledge, offering the ability to access a vast library of resources at our fingertips. With platforms like Project Gutenberg, Open Library, and various digital libraries offered by educational institutions, we have access to an ever-expanding collection of books and manuals. Whether for educational, professional, or personal purposes, these digital resources serve as valuable tools for continuous learning and self-improvement. So why not take advantage of the vast world of Operation Manual Mimaki Engineering Co Ltd books and manuals for download and embark on your journey of knowledge?

FAQs About Operation Manual Mimaki Engineering Co Ltd Books

What is a Operation Manual Mimaki Engineering Co Ltd PDF? A PDF (Portable Document Format) is a file format

developed by Adobe that preserves the layout and formatting of a document, regardless of the software, hardware, or

operating system used to view or print it. **How do I create a Operation Manual Mimaki Engineering Co Ltd PDF?**

There are several ways to create a PDF: Use software like Adobe Acrobat, Microsoft Word, or Google Docs, which often have

built-in PDF creation tools. Print to PDF: Many applications and operating systems have a "Print to PDF" option that allows

you to save a document as a PDF file instead of printing it on paper. Online converters: There are various online tools that

can convert different file types to PDF. **How do I edit a Operation Manual Mimaki Engineering Co Ltd PDF?** Editing a

PDF can be done with software like Adobe Acrobat, which allows direct editing of text, images, and other elements within the

PDF. Some free tools, like PDFescape or Smallpdf, also offer basic editing capabilities. **How do I convert a Operation**

Manual Mimaki Engineering Co Ltd PDF to another file format? There are multiple ways to convert a PDF to another

format: Use online converters like Smallpdf, Zamzar, or Adobe Acrobats export feature to convert PDFs to formats like Word,

Excel, JPEG, etc. Software like Adobe Acrobat, Microsoft Word, or other PDF editors may have options to export or save PDFs

in different formats. **How do I password-protect a Operation Manual Mimaki Engineering Co Ltd PDF?** Most PDF

editing software allows you to add password protection. In Adobe Acrobat, for instance, you can go to "File" -> "Properties"

-> "Security" to set a password to restrict access or editing capabilities. Are there any free alternatives to Adobe Acrobat for working with PDFs? Yes, there are many free alternatives for working with PDFs, such as: LibreOffice: Offers PDF editing features. PDFsam: Allows splitting, merging, and editing PDFs. Foxit Reader: Provides basic PDF viewing and editing capabilities. How do I compress a PDF file? You can use online tools like Smallpdf, ILovePDF, or desktop software like Adobe Acrobat to compress PDF files without significant quality loss. Compression reduces the file size, making it easier to share and download. Can I fill out forms in a PDF file? Yes, most PDF viewers/editors like Adobe Acrobat, Preview (on Mac), or various online tools allow you to fill out forms in PDF files by selecting text fields and entering information. Are there any restrictions when working with PDFs? Some PDFs might have restrictions set by their creator, such as password protection, editing restrictions, or print restrictions. Breaking these restrictions might require specific software or tools, which may or may not be legal depending on the circumstances and local laws.

Find Operation Manual Mimaki Engineering Co Ltd :

~~service manual commodore 1701 1702 monitor~~

[service manual 93 cr250](#)

service manual for champion 600 grader

service manual 1999 johnson 225 ho outboard

~~service engine soon flashing~~

[service manual 13am675g062](#)

service manual for 1999 suzuki tl1000s

~~service manual club car precedent 2004 electric~~

[service manual deskjet c9017a hp](#)

service manual for coleman evcon furnace

[service manual 1996 mazda miata](#)

service manual for arctic cat snowmobiles

service manual for 2012 heritage

[service interval resetten skoda fabia](#)

[service desk institute qualifications](#)

Operation Manual Mimaki Engineering Co Ltd :

[cac bai doc toefl b1 solutions milnerbrowne com](#) - Oct 09 2023

web cac bai doc toefl b1 downloaded from solutions milnerbrowne com by guest koch evelin toefl ibt cambridge university press new close up help learners get closer to the world through dynamic photography video and real world stories from national geographic relevant global topics paired with a comprehensive

cac bai doc toefl b1 implantes odontocompany com - Oct 29 2022

web 2 cac bai doc toefl b1 2022 09 02 neveah essence the official guide to the toefl ibt with cd rom third edition allyn bacon collocations are combinations of words which frequently appear together using them makes your english sound more natural presents and explains approximately 1 500 word combinations in typical contexts using

[toefl ibt sinav puaniniz nasil hesaplanir kaÇ](#) - Aug 07 2023

web may 19 2021 toefl ibt sinav puaniniz total score 25 23 27 20 95 ayrıca toefl ibt de her bir beceri için 4 ya da 5 seviye belirlenmiştir bazı kurumlar sınav sonucundan ziyade bu seviyelere sahip olmanızı da isteyebilirler aşağıdaki görselde bu seviyelere yer verilmiştir

cac bai doc toefl b1 wrbb neu edu - Jul 06 2023

web cac bai doc toefl b1 2020 12 05 haas ingrid the vocabulary files cambridge university press this text prepares students for the ielts test at b1 foundation level it is designed to introduce students to the critical thinking required for ielts and provide strategies and skills to maximise

buyem boun edu tr - Feb 01 2023

web kendinizi geliştirmek için eğitim arayışındaysanız gelişen ve değişen dünya hakkında fikir sahibi olmak yeni bir alanda fikir edinmek veya kendi alanınızda uzmanlaşmak istiyorsanız sizleri bÜyem in faaliyetlerine katılmaya davet ediyoruz İncele online eğitim 29 dönem hafta İçi akşam ve hafta sonu gündüz

[cac bai doc toefl b1 ai classmonitor com](#) - Aug 27 2022

web cac bai doc toefl b1 1 cac bai doc toefl b1 destination b1 post office reform very easy toeic 2 e english for everyone level 1 beginner practice book test your english vocabulary in use upper intermediate longman introductory course for the toefl test common mistakes at ielts intermediate english collocation in use per le scuole

[cac bai doc toefl b1 ai classmonitor com](#) - Mar 02 2023

web cac bai doc toefl b1 1 cac bai doc toefl b1 common mistakes at ielts intermediate how to win friends and influence people effortless english english collocation in use per le scuole superiori get ready for ielts cambridge ielts 8 student s book with answers intermediate language practice the official guide to the toefl ibt with cd

cac bai doc toefl b1 testing reso org - Sep 08 2023

web skills for the toefl ibt test pathways reading writing and critical thinking foundations the official guide to the toefl ibt with cd rom third edition cac bai doc toefl b1 downloaded from testing reso org by guest jaylen cohen the vocabulary files cambridge university press

[cac bai doc toefl b1 wrbb neu edu](#) - Apr 22 2022

web to purchase and make bargains to download and install cac bai doc toefl b1 in view of that simple cac bai doc toefl b1 2023 09 09 goodman jaylin 7 secrets to success toefl ibt independently published test taking and skill building strategies in a clear user friendly style features 3 sample tests toefl reading practice book test prep

cac bai doc toefl b1 store1 shops widebot net - Jul 26 2022

web the book features 5 full length sample toefl tests available both in the book and on a dvd real toefl essay writing prompts sample responses for the speaking and writing test sections downloadable audio for all the listening and speaking sections

[toeic b1 quel est le niveau requis clic campus](#) - Feb 18 2022

web mar 7 2022 renforcer un document professionnel grâce au score au toeic b1 si possible essayez d atteindre les 785 points du niveau b1 lorsque vous passez le test toeic en effet c est le score minimal apprécié par les entreprises s il s agit d une mission ponctuelle en france ou à l étranger néanmoins vous devez obtenir plus de 900 points

[cac bai doc toefl b1 controlplane themintgaming com](#) - Jun 24 2022

web toefl ibt longman introductory course for the toefl test very easy toeic 2 e cac bai doc toefl b1 downloaded from controlplane themintgaming com by guest myla maximus complete ielts bands 4 5 student s book without answers with cd rom nova press destination c1 c2 grammar and vocabulary is the ideal grammar and

cac bai doc toefl b1 ai classmonitor com - Jun 05 2023

web introductory course for the toefl test the paper test gives intermediate students all the tools they need to improve their scores on all sections of the toefl paper test

cac bai doc toefl b1 ai classmonitor com - Apr 03 2023

web cac bai doc toefl b1 downloaded from ai classmonitor com by guest esther ashtyn english for everyone level 1 beginner practice book cambridge university press how is this toefl book different this toefl book is different because it uses an integrated vocabulary learning system called recycling recycling is simple each

[cac bai doc toefl b1 db csda org](#) - May 24 2022

web cac bai doc toefl b1 3 3 vocabulary in use series varied vocabulary tests with answers new to the popular english vocabulary in use series cambridge ielts 8 student s book with answers cambridge university press bars fight a ballad telling the tale of an ambush by native americans on two families in 1746 in a massachusetts meadow is

[préparation toefl guide des tests d anglais ef](#) - Dec 31 2022

web les grandes stratégies d entraînement au toefl sont les mêmes que celles utilisées pour préparer n importe quel test d anglais cela peut inclure toutes vos démarches pour améliorer votre anglais parce que le toefl évalue les quatre compétences vous pourrez d abord vous concentrer sur vos compétences les plus faibles

[cac bai doc toefl b1 programma syriza gr](#) - Mar 22 2022

web cac bai doc toefl b1 downloaded from programma syriza gr by guest karsyn townsend key ernst klett sprachen effortless english learn to speak english like a native a j hoge the world s 1 english teacher teaches you his most powerful methods for learning to speak english fluently and confidently

[cac bai doc toefl b1 seminary fbny org](#) - Sep 27 2022

web 4 cac bai doc toefl b1 2023 05 13 toefl and uses the same testing methods so you can practice your skills and measure your success use this practice book with english for everyone level 3 intermediate course book so you can work with the books together and download the free app and practice online with free listening exercises at

[cac bai doc toefl b1 2013 thecontemporaryaustin org](#) - May 04 2023

web cac bai doc toefl b1 downloaded from 2013 thecontemporaryaustin org by guest devan osborn destination c1 c2 mcgraw hill professional barron s newest edition of toefl ibt has been fully updated to reflect the new toefl format and provides flexible study options and key skills review to help you study what you need to know for the test

[cac bai toefl b1 help environment harvard edu](#) - Nov 29 2022

web cac bai toefl b1 if you ally craving such a referred cac bai toefl b1 ebook that will manage to pay for you worth acquire the extremely best seller from us currently from several preferred authors if you desire to funny books lots of novels tale jokes and more fictions collections are in addition to launched from

marriage conferences retreats focus on the family - Aug 04 2022

web journey to us host this two day experience for marriages in your congregation this event is designed to help couples find their way back to a marriage that feel like the safest place on earth apply today resist the drift host this

marriage ministry the church without walls - May 13 2023

web the marriage ministry is designed to enrich the lives of couples and those engaged to be married this ministry host workshops retreats conferences seminars and cruises designed to equip and enrich the lives of families

how to plan a christian marriage retreat for couples - Jan 09 2023

web here are a few ideas for marriage retreat themes that you can cover at your marriage retreat communication many couples have a hard time communicating in fact a lack of communication in a marriage leads to many arguments and negative feelings you can offer workshops on areas such as how to express your feelings honestly

marriage ministry ideas on pinterest - Oct 06 2022

web explore a hand picked collection of pins about marriage ministry ideas on pinterest

[how to take your marriage event to the next level](#) - Jun 02 2022

web may 9 2019 make it personal find a professional videographer and interview several of the couples attending the event ahead of time ask them to share a story in relation to your theme for instance for the have serious fun segment ask them to share a story about a vacation they went on that was super fun

[serving opportunities marriage ministry ministries rock church](#) - Jan 29 2022

web rock marriage ministry recognizes an immediate responsibility to help couples begin to build and sustain better marriages and to help restore those marriages threatened by divorce no matter how long you have been married there are opportunities to serve is god calling you to allow your marriage to make a difference in other marriages

29 couples seminar activities ideas couples marriage pinterest - Dec 28 2021

web couples seminar activities 29 pins 3y k collection by kendal turner similar ideas popular now marriage advice christian marriage happy marriage relationship tips healthy relationships distance relationships romantic gestures for him love boyfriend boyfriend quotes romantic anniversary gifts romantic good night celtic love knot

20 creative ideas for women s ministry events remo co - Feb 27 2022

web august 4 2023 event ideas remo staff women s ministry events play a crucial role in the spiritual growth and empowerment of women within the church community these events provide a platform for women to come together share their experiences and learn from one another

marriage ministry curriculum activities for churches grace for marriage - Dec 08 2022

web how couples use grace for marriage pastor hunter hosts regular marriage sessions weekly or monthly to help couples apply the gospel to their marriages after each session couples leave to go on a date night the church provides childcare for a few hours so the couples can enjoy their alone time and practice what they ve just learned

4 marriage ministry ideas to bless couples in your church - Aug 16 2023

web if you start developing a positive and supportive marriage ministry at your church you ll bless couples and strengthen families as you implement these marriage ministry ideas and help couples seek god in their marriages they ll be able to nurture strong relationships that can endure for life

ideas for a marriage ministry our everyday life - Jul 15 2023

web dec 11 2017 a marriage ministry can serve those couples with strong marriages as well as those whose marriages are almost falling apart running a marriage ministry properly requires you to do many different things to impact each type of couple consider the couple ministry ideas that best fit your congregation

[lessons for couples in ministry just between us](#) - Sep 05 2022

web jun 24 2021 lessons for couples in ministry just between us once upon a time there lived a professional working mother named eve who had two ph t s i e putting hubby through two children under three and one on the way eve could hardly wait for the next four months to finish

couples ministry ideas on pinterest - Mar 31 2022

web explore a hand picked collection of pins about couples ministry ideas on pinterest

fun icebreaker activities for married christian couples - Mar 11 2023

web dec 11 2018 if you invite married couples from your church to your home or a church event try some icebreaker activities to kick off your event an icebreaker encourages people to interact and make friends many icebreakers need little more than paper or pen and couples can get started almost as soon as they come in the door

married couples ministry first shiloh baptist church - May 01 2022

web meet the needs of married couples spiritually socially culturally intellectually financially and sentimentally sexual needs help individuals grow together to bring together the married couples in the church through fellowship in a well structured christian environment

30 activities for your church s married couples group - Jun 14 2023

web activities to try indoor game night board games quizzes ping pong pool charades back yard olympics croquet horseshoes tag football soccer volleyball miniature golf at home movie or movie at the theater 60s or 70s party with costumes

professional sporting event get seats in a group instead of just across the row

10 great ideas to help strengthen marriages in the church how - Apr 12 2023

web jun 10 2014 i have devised a list of ten ministry ideas to empower marriages in your church 10 great ideas to help strengthen marriages in the church how to reinforce the core of marriages in your ministry lead by example

sample games for church marriage ministry our everyday life - Jul 03 2022

web home events entertaining sample games for church marriage ministry by marcelina hardy stockbyte stockbyte getty images marriage is a sacrament which is a blessing from god to preserve its sanctity and strengthen the bond between man and wife it s important to strengthen the emotional connection they have for one another

start a marriage ministry in your church familylife - Feb 10 2023

web they provide training to volunteer couples assist in assessing needs offer ideas for events and curriculum suggestions for small groups and generally guide your church in developing and sustaining a marriage ministry

strategies for promoting marriage in the church usccb - Nov 07 2022

web ministry events for youth and young adults should actively work to include married role models as leaders and mentors these couples stand as witnesses to the sacrament of matrimony and can offer a healthy ideal for individuals without

electre iii 1 5 download free electreiii exe software informer - Aug 14 2023

web free download electronic instrumentation 3e the enigmatic realm of free download electronic instrumentation 3e unleashing the language is inner magic in a fast

free electronic instrumentation 3e - Nov 24 2021

web users interested in electre iii iv software generally download electre iii 1 5 free work with electronic signals and create sequences for electrode controllers generate a digital

free download electronic instrumentation 3e copy - Sep 03 2022

web electronic instrumentation h s kalsi click the start the download download pdf

free download electronic instrumentation 3e copy emidproxy - Feb 25 2022

web free download electronic instrumentation 3e 2022 07 31 tristin nathan elements of electronic instrumentation and measurement springer science business media

free download electronic instrumentation 3e - Jul 13 2023

web sep 14 2023 download popular programs drivers and latest updates easily electre iii is a sequence generator designed for multi electrode units it is a program that allows you to

pdf electronic instrumentation h s kalsi free download pdf - Aug 02 2022

web may 30 2023 free download electronic instrumentation 3e pdf web free download electronic instrumentation 3e 2 12 downloaded from uniport edu ng on april 12 2023 by

free download electronic instrumentation 3e - Jan 27 2022

web feb 17 2023 you set sights on to download and install the free download electronic instrumentation 3e it is definitely easy then in the past currently we extend the join to

free download electronic instrumentation 3e pdf pdf cdn - Mar 29 2022

web free download electronic instrumentation 3e is available in our digital library an online access to it is set as public so you can download it instantly our books collection hosts

electre iii iv software free download suggestions softadvice - Oct 24 2021

free download electronic instrumentation 3e pdf 2023 - Jul 01 2022

web this free download electronic instrumentation 3e as one of the most full of zip sellers here will very be in the middle of the best options to review introduction to infrared and

free download electronic instrumentation 3e 2022 - Jan 07 2023

web electronic instrumentation 3e kalsi tata mcgraw hill 2012 electronic apparatus and appliances 829 pages overview this

revised and up to date edition

electronic instrumentation 3e kalsi google books - Dec 06 2022

web electronic instrumentation 3e as without difficulty as review them wherever you are now principles of measurement and instrumentation alan s morris 1993 this text presents

free download electronic instrumentation 3e - May 31 2022

web free download electronic instrumentation 3e this is a list of radars a radar is an electronic system used to detect range determine the distance of and map various types

free download electronic instrumentation 3e jetpack theaoi - Apr 29 2022

web free download electronic instrumentation 3e pdf pdf cdn diabetesselfmanagement com created date 9 1 2023 10 04 05 pm

electre iii free download windows version - Feb 08 2023

web electronic instruments and instrumentation technology the data warehouse toolkit measurement and instrumentation instrumentation for process

pdf electronic instrumentation h s kalsi academia edu - Apr 10 2023

web electronic instrumentation 3e h s kalsi google books

free download electronic instrumentation 3e pdf uniport edu - Oct 04 2022

web 2 free download electronic instrumentation 3e 2023 03 27 free download electronic instrumentation 3e downloaded from portal dlc ui edu ng by guest hallie duke

pdf electronic instrumentation by h s kalsi - Sep 15 2023

web sep 14 2023 software informer download popular programs drivers and latest updates easily electre iii is a sequence generator designed for multi electrode units it is a

free download electronic instrumentation 3e pdf download - May 11 2023

web download pdf see full pdf download pdf loading preview electronic instrumentation h s kalsi

free download electronic instrumentation 3e sportidapp - Dec 26 2021

web free electronic instrumentation 3e is available in our book collection an online access to it is set as public so you can download it instantly our books collection saves in multiple

electre iii download sequence generator designed for multi - Jun 12 2023

web free download electronic instrumentation 3e pdf pages 3 27 free download electronic instrumentation 3e pdf upload herison c ferguson 3 27 downloaded from

electronic instrumentation 3e h s kalsi google books - Mar 09 2023

web nov 10 2022 download electre iii 1 5 0 1 from our software library for free the electre iii installer is commonly called electreiii exe the latest installer that can be downloaded is

free download electronic instrumentation 3e pdf uniport edu - Nov 05 2022

web apr 12 2023 free download electronic instrumentation 3e 1 12 downloaded from uniport edu ng on april 12 2023 by guest free download electronic instrumentation