

SEARS

OWNER'S MANUAL

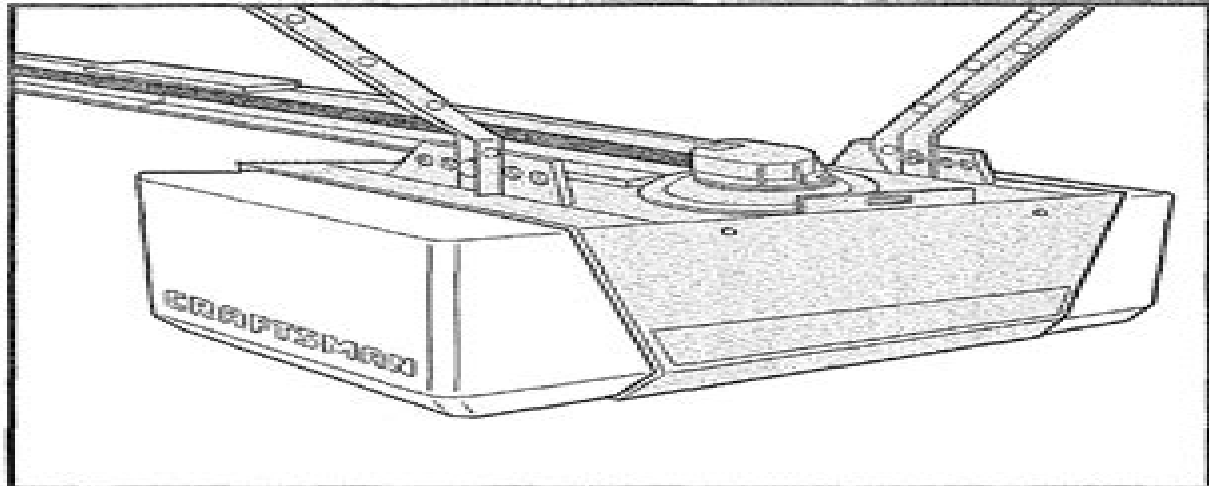
Model No.
139.53800SRT

*For Residential Use
Only*

Caution:
Read and follow all
safety rules and
operating instructions
before first use of this
product.

Fasten the manual
near the garage door
after installation.

Complies with UL 325
regulations effective
January 1, 1993



Sears Best / CRAFTSMAN. 1/2 HP GARAGE DOOR OPENER

- Safety Precautions
- Assembly
- Installation
- Adjustment
- Care and Maintenance
- Operation
- Troubleshooting
- Parts List

Sears 1 2 Hp Garage Door Opener Manual

Liying Dong



Sears 1 2 Hp Garage Door Opener Manual:

Thank you unquestionably much for downloading **Sears 1 2 Hp Garage Door Opener Manual**. Most likely you have knowledge that, people have seen numerous periods for their favorite books gone this Sears 1 2 Hp Garage Door Opener Manual, but end in the works in harmful downloads.

Rather than enjoying a good ebook in the manner of a cup of coffee in the afternoon, on the other hand they juggled later some harmful virus inside their computer. **Sears 1 2 Hp Garage Door Opener Manual** is comprehensible in our digital library with online access to it is set as public suitably you can download it instantly. Our digital library saves in combined countries, allowing you to get the most less latency time to download any of our books in the manner of this one. Merely said, the Sears 1 2 Hp Garage Door Opener Manual is universally compatible past any devices to read.

https://crm.avenza.com/public/uploaded-files/index.jsp/nikon_speedlight_sb_900_price_in_dubai.pdf

Table of Contents Sears 1 2 Hp Garage Door Opener Manual

1. Understanding the eBook Sears 1 2 Hp Garage Door Opener Manual
 - The Rise of Digital Reading Sears 1 2 Hp Garage Door Opener Manual
 - Advantages of eBooks Over Traditional Books
2. Identifying Sears 1 2 Hp Garage Door Opener Manual
 - Exploring Different Genres
 - Considering Fiction vs. Non-Fiction
 - Determining Your Reading Goals
3. Choosing the Right eBook Platform
 - Popular eBook Platforms
 - Features to Look for in an Sears 1 2 Hp Garage Door Opener Manual
 - User-Friendly Interface
4. Exploring eBook Recommendations from Sears 1 2 Hp Garage Door Opener Manual
 - Personalized Recommendations
 - Sears 1 2 Hp Garage Door Opener Manual User Reviews and Ratings

- Sears 1 2 Hp Garage Door Opener Manual and Bestseller Lists
- 5. Accessing Sears 1 2 Hp Garage Door Opener Manual Free and Paid eBooks
 - Sears 1 2 Hp Garage Door Opener Manual Public Domain eBooks
 - Sears 1 2 Hp Garage Door Opener Manual eBook Subscription Services
 - Sears 1 2 Hp Garage Door Opener Manual Budget-Friendly Options
- 6. Navigating Sears 1 2 Hp Garage Door Opener Manual eBook Formats
 - ePub, PDF, MOBI, and More
 - Sears 1 2 Hp Garage Door Opener Manual Compatibility with Devices
 - Sears 1 2 Hp Garage Door Opener Manual Enhanced eBook Features
- 7. Enhancing Your Reading Experience
 - Adjustable Fonts and Text Sizes of Sears 1 2 Hp Garage Door Opener Manual
 - Highlighting and Note-Taking Sears 1 2 Hp Garage Door Opener Manual
 - Interactive Elements Sears 1 2 Hp Garage Door Opener Manual
- 8. Staying Engaged with Sears 1 2 Hp Garage Door Opener Manual
 - Joining Online Reading Communities
 - Participating in Virtual Book Clubs
 - Following Authors and Publishers Sears 1 2 Hp Garage Door Opener Manual
- 9. Balancing eBooks and Physical Books Sears 1 2 Hp Garage Door Opener Manual
 - Benefits of a Digital Library
 - Creating a Diverse Reading Collection Sears 1 2 Hp Garage Door Opener Manual
- 10. Overcoming Reading Challenges
 - Dealing with Digital Eye Strain
 - Minimizing Distractions
 - Managing Screen Time
- 11. Cultivating a Reading Routine Sears 1 2 Hp Garage Door Opener Manual
 - Setting Reading Goals Sears 1 2 Hp Garage Door Opener Manual
 - Carving Out Dedicated Reading Time
- 12. Sourcing Reliable Information of Sears 1 2 Hp Garage Door Opener Manual
 - Fact-Checking eBook Content of Sears 1 2 Hp Garage Door Opener Manual
 - Distinguishing Credible Sources

-
13. Promoting Lifelong Learning
 - Utilizing eBooks for Skill Development
 - Exploring Educational eBooks
 14. Embracing eBook Trends
 - Integration of Multimedia Elements
 - Interactive and Gamified eBooks

Sears 1 2 Hp Garage Door Opener Manual Introduction

Sears 1 2 Hp Garage Door Opener Manual Offers over 60,000 free eBooks, including many classics that are in the public domain. Open Library: Provides access to over 1 million free eBooks, including classic literature and contemporary works. Sears 1 2 Hp Garage Door Opener Manual Offers a vast collection of books, some of which are available for free as PDF downloads, particularly older books in the public domain. Sears 1 2 Hp Garage Door Opener Manual : This website hosts a vast collection of scientific articles, books, and textbooks. While it operates in a legal gray area due to copyright issues, its a popular resource for finding various publications. Internet Archive for Sears 1 2 Hp Garage Door Opener Manual : Has an extensive collection of digital content, including books, articles, videos, and more. It has a massive library of free downloadable books. Free-eBooks Sears 1 2 Hp Garage Door Opener Manual Offers a diverse range of free eBooks across various genres. Sears 1 2 Hp Garage Door Opener Manual Focuses mainly on educational books, textbooks, and business books. It offers free PDF downloads for educational purposes. Sears 1 2 Hp Garage Door Opener Manual Provides a large selection of free eBooks in different genres, which are available for download in various formats, including PDF. Finding specific Sears 1 2 Hp Garage Door Opener Manual, especially related to Sears 1 2 Hp Garage Door Opener Manual, might be challenging as theyre often artistic creations rather than practical blueprints. However, you can explore the following steps to search for or create your own Online Searches: Look for websites, forums, or blogs dedicated to Sears 1 2 Hp Garage Door Opener Manual, Sometimes enthusiasts share their designs or concepts in PDF format. Books and Magazines Some Sears 1 2 Hp Garage Door Opener Manual books or magazines might include. Look for these in online stores or libraries. Remember that while Sears 1 2 Hp Garage Door Opener Manual, sharing copyrighted material without permission is not legal. Always ensure youre either creating your own or obtaining them from legitimate sources that allow sharing and downloading. Library Check if your local library offers eBook lending services. Many libraries have digital catalogs where you can borrow Sears 1 2 Hp Garage Door Opener Manual eBooks for free, including popular titles. Online Retailers: Websites like Amazon, Google Books, or Apple Books often sell eBooks. Sometimes, authors or publishers offer promotions or free periods for certain books. Authors Website Occasionally, authors provide excerpts or short stories for free on their websites. While this

might not be the Sears 1 2 Hp Garage Door Opener Manual full book , it can give you a taste of the authors writing style. Subscription Services Platforms like Kindle Unlimited or Scribd offer subscription-based access to a wide range of Sears 1 2 Hp Garage Door Opener Manual eBooks, including some popular titles.

FAQs About Sears 1 2 Hp Garage Door Opener Manual Books

How do I know which eBook platform is the best for me? Finding the best eBook platform depends on your reading preferences and device compatibility. Research different platforms, read user reviews, and explore their features before making a choice. Are free eBooks of good quality? Yes, many reputable platforms offer high-quality free eBooks, including classics and public domain works. However, make sure to verify the source to ensure the eBook credibility. Can I read eBooks without an eReader? Absolutely! Most eBook platforms offer web-based readers or mobile apps that allow you to read eBooks on your computer, tablet, or smartphone. How do I avoid digital eye strain while reading eBooks? To prevent digital eye strain, take regular breaks, adjust the font size and background color, and ensure proper lighting while reading eBooks. What the advantage of interactive eBooks? Interactive eBooks incorporate multimedia elements, quizzes, and activities, enhancing the reader engagement and providing a more immersive learning experience. Sears 1 2 Hp Garage Door Opener Manual is one of the best book in our library for free trial. We provide copy of Sears 1 2 Hp Garage Door Opener Manual in digital format, so the resources that you find are reliable. There are also many Ebooks of related with Sears 1 2 Hp Garage Door Opener Manual. Where to download Sears 1 2 Hp Garage Door Opener Manual online for free? Are you looking for Sears 1 2 Hp Garage Door Opener Manual PDF? This is definitely going to save you time and cash in something you should think about.

Find Sears 1 2 Hp Garage Door Opener Manual :

[nikon speedlight sb 900 price in dubai](#)

[nikon mh 23 user guide](#)

[nissan 1400 conrod torque settings](#)

[nissan altima service repair manual](#)

[nissan 141992 model bakkie loom diagram](#)

[nissan frontier 2007 user guide](#)

[nissan 240sx service repair manual 1996 1997 1998](#)

[nissan 300 zx 1992 factory service repair manual](#)

[nissan a14 service manual](#)

nikon manual wu-1b

[nikon total station manual r 200](#)

[nissan bluebird replacement parts manual 1982 1986](#)

[nissan 240sx 1989 1990 factory shop service repair manual](#)

[nikon user manual for 60mm lens](#)

[nissan 240sx service repair workshop manual 1995 1998](#)

Sears 1 2 Hp Garage Door Opener Manual :

2001 LEGACY SERVICE MANUAL QUICK REFERENCE ... This service manual has been prepared to provide. SUBARU service personnel with the necessary information and data for the correct maintenance and. Outback Service Manual Jan 10, 2011 — I am looking for a good service manual for a 2001 Outback, I found a great PDF file online for my 1998 Outback, genuine Subaru manual with ... User manual Subaru Outback (2001) (English - 453 pages) Manual. View the manual for the Subaru Outback (2001) here, for free. This manual comes under the category cars and has been rated by 1 people with an ... Anyone have a link to download the Service Manual for the H6 ... Aug 24, 2018 — Anyone have a link to download the Service Manual for the H6 3.0 engine in a 2001 Outback? ... Impreza, Outback, Forester, Baja, WRX&WrxSTI, SVX. 2001 LEGACY SERVICE MANUAL QUICK ... - Docar This manual includes the procedures for maintenance, disassembling, reassembling, inspection and adjustment of components and diagnostics for guidance of. Service & Repair Manuals for Subaru Outback Get the best deals on Service & Repair Manuals for Subaru Outback when you shop the largest online selection at eBay.com. Free shipping on many items ... Vehicle Resources Your hub for information on your Subaru. Watch videos on in-vehicle technology, download manuals and warranties or view guides to indicator and warning ... Subaru Outback Repair Manual Subaru Legacy (00-09) & Forester (00-08) Haynes Repair Manual (USA) (Paperback). by Robert Maddox. Part of: Haynes Repair Manual (16 books). Subaru Factory Service Manuals (FSM) - Every Model Apr 6, 2014 — Welcome SLi members to one of the most thorough cataloged Factory Service Manual collections available for download. Subaru 2001 LEGACY Service Manual View and Download Subaru 2001 LEGACY service manual online. 2001 LEGACY automobile pdf manual download. Working as a Field Engineer at Schlumberger: 137 Reviews The job itself is very stressful and includes very long hours a lot of the time. There's no work life balance. Pros. Field Engineer | Schlumberger The WEC Field Engineer - DD identifies opportunities to improve service delivery, implements standard work, and manage, risk during service delivery. Roles and ... Early Careers - Operations Field Engineer. Be involved in every phase of our business ; Field Specialist. Turn technical

expertise into transformative impact ; Field Technical Analyst. SLB Cement Field Engineer Salaries The average salary for a Field Engineer - Cementing is \$81,856 per year in United States, which is 29% lower than the average SLB salary of \$115,567 per year ... Cementing Field Specialist | Schlumberger The purpose of the position is to execute the different cementing processes of both primary and remediation oil wells. A successful person in this position must ... SLB Cement Field Engineer Salaries in Midland The average salary for a Cement Field Engineer is \$69,532 per year in Midland, TX, which is 27% lower than the average SLB salary of \$96,015 per year for this ... How is it to be a Field Engineer in Schlumberger? Dec 5, 2012 — A Field Engineer in Schlumberger is like an adjustable wrench. He/she can be used to tighten any bolt as and when needed... Instead of getting ... My Schlumberger Career- Field Engineer - YouTube Schlumberger - Cementing : r/oilandgasworkers Greetings,. I've just recieved a job offer letter from Schlumberger in Cementing as Field Engineer Trainee. I'm aware of Schlumberger general ... 1996 Chevrolet S10 Remanufactured Manual ... We currently carry 2 Remanufactured Manual Transmission products to choose from for your 1996 Chevrolet S10, and our inventory prices range from as little as ... Complete Manual Transmissions for Chevrolet S10 Get the best deals on Complete Manual Transmissions for Chevrolet S10 when you shop the largest online selection at eBay.com. Free shipping on many items ... HM290 Manual Transmission for GM 1996-1997 ... Details: Manual Transmission Assembly; Model: Getrag HM290; Drive Type: RWD; Engine Liters: 4.3L; Engine Cylinders: 6; Transmission Speeds: 5; Integral Bell ... HM290 Manual Transmission for GM 96-97 S10 S15 And ... HM290 Manual Transmission for GM 96-97 S10 S15 And Sonoma 4.3L 2WD 5 Speed Zumbrota Drivetrain. Brand: Zumbrota Drivetrain. SKU: RMT290C-9-GJSP. Category:. CHEVROLET S10 Manual Transmissions Find CHEVROLET S10 Manual Transmissions and get Free Shipping on Orders Over \$109 at Summit Racing! HM290 Manual Transmission for GM 1996-1997 ... Details: Manual Transmission Assembly; Getrag HM290; Drive Type: 4WD; Engine Liter: 4.3; Engine Cylinders: 6; Transmission Speeds: 5; Integral Bell Housing ... Chevrolet S10 Remanufactured Manual Transmission Low prices on Remanufactured Manual Transmission for your Chevrolet S10 at Advance Auto Parts. Find aftermarket and OEM parts online or at a local store ... NV1500 Manual Transmission for GM 96-99 S10 S15 And ... Manual transmissions used in vehicles up to 3/4 tons are sold with a Standard 2 Year/Unlimited Mileage Warranty. Details: Manual Transmission ... Transmission & Drivetrain for 1996 Chevrolet S10 Get the best deals on Transmission & Drivetrain for 1996 Chevrolet S10 when you shop the largest online selection at eBay.com. Free shipping on many items ... 1996 Chevrolet Blazer S10 manual Transmission 5-Speed Manual Transmission for 1996 Chevrolet Blazer S10 Remanufactured, and rebuilt Transmissions available. Call Now (888) 242-2605!