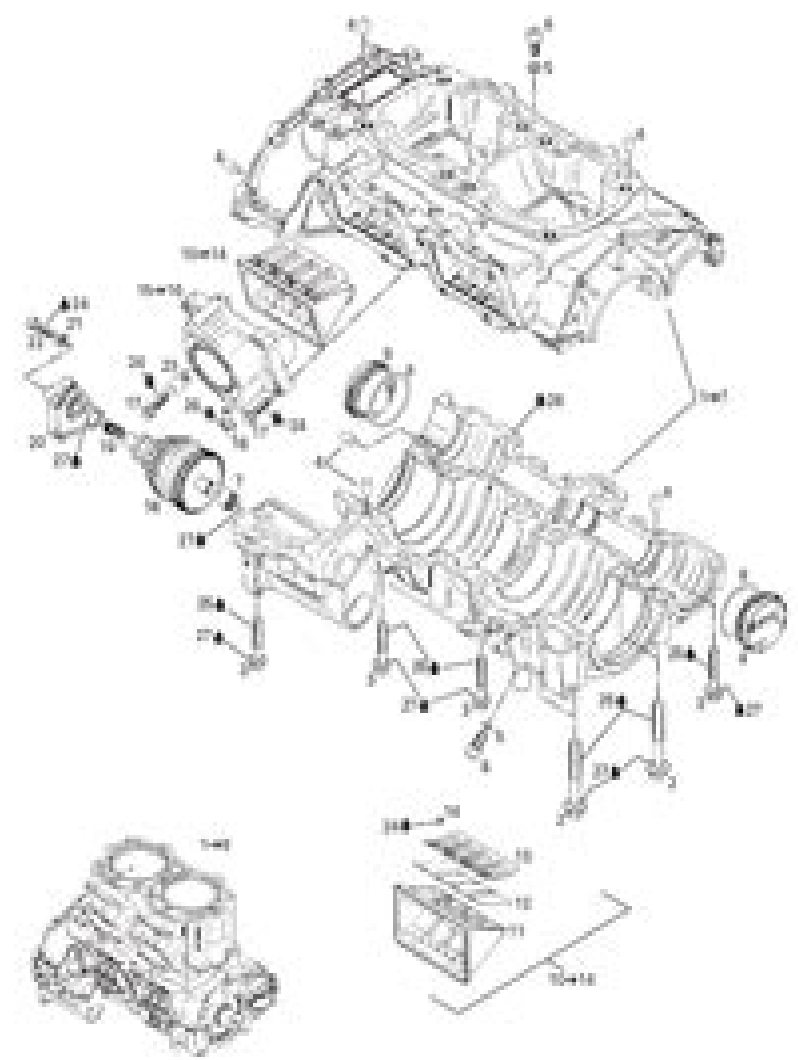




Bookmarks

- MAIN MENU (ENGLISH)
- MENU PRINCIPAL (FRANÇAIS)
- TABLE OF CONTENTS/TABLE DES MATIÈRES



Seadoo Rx 5533 2001 Factory Service Repair Manual

Yan Bai



Seadoo Rx 5533 2001 Factory Service Repair Manual:

Fuel your quest for knowledge with is thought-provoking masterpiece, Explore **Seadoo Rx 5533 2001 Factory Service Repair Manual** . This educational ebook, conveniently sized in PDF (*), is a gateway to personal growth and intellectual stimulation. Immerse yourself in the enriching content curated to cater to every eager mind. Download now and embark on a learning journey that promises to expand your horizons. .

https://crm.avenza.com/results/scholarship/default.aspx/Nursing_Bursary_In_Gauteng.pdf

Table of Contents Seadoo Rx 5533 2001 Factory Service Repair Manual

1. Understanding the eBook Seadoo Rx 5533 2001 Factory Service Repair Manual
 - The Rise of Digital Reading Seadoo Rx 5533 2001 Factory Service Repair Manual
 - Advantages of eBooks Over Traditional Books
2. Identifying Seadoo Rx 5533 2001 Factory Service Repair Manual
 - Exploring Different Genres
 - Considering Fiction vs. Non-Fiction
 - Determining Your Reading Goals
3. Choosing the Right eBook Platform
 - Popular eBook Platforms
 - Features to Look for in an Seadoo Rx 5533 2001 Factory Service Repair Manual
 - User-Friendly Interface
4. Exploring eBook Recommendations from Seadoo Rx 5533 2001 Factory Service Repair Manual
 - Personalized Recommendations
 - Seadoo Rx 5533 2001 Factory Service Repair Manual User Reviews and Ratings
 - Seadoo Rx 5533 2001 Factory Service Repair Manual and Bestseller Lists
5. Accessing Seadoo Rx 5533 2001 Factory Service Repair Manual Free and Paid eBooks
 - Seadoo Rx 5533 2001 Factory Service Repair Manual Public Domain eBooks
 - Seadoo Rx 5533 2001 Factory Service Repair Manual eBook Subscription Services
 - Seadoo Rx 5533 2001 Factory Service Repair Manual Budget-Friendly Options

6. Navigating Seadoo Rx 5533 2001 Factory Service Repair Manual eBook Formats
 - ePub, PDF, MOBI, and More
 - Seadoo Rx 5533 2001 Factory Service Repair Manual Compatibility with Devices
 - Seadoo Rx 5533 2001 Factory Service Repair Manual Enhanced eBook Features
7. Enhancing Your Reading Experience
 - Adjustable Fonts and Text Sizes of Seadoo Rx 5533 2001 Factory Service Repair Manual
 - Highlighting and Note-Taking Seadoo Rx 5533 2001 Factory Service Repair Manual
 - Interactive Elements Seadoo Rx 5533 2001 Factory Service Repair Manual
8. Staying Engaged with Seadoo Rx 5533 2001 Factory Service Repair Manual
 - Joining Online Reading Communities
 - Participating in Virtual Book Clubs
 - Following Authors and Publishers Seadoo Rx 5533 2001 Factory Service Repair Manual
9. Balancing eBooks and Physical Books Seadoo Rx 5533 2001 Factory Service Repair Manual
 - Benefits of a Digital Library
 - Creating a Diverse Reading Collection Seadoo Rx 5533 2001 Factory Service Repair Manual
10. Overcoming Reading Challenges
 - Dealing with Digital Eye Strain
 - Minimizing Distractions
 - Managing Screen Time
11. Cultivating a Reading Routine Seadoo Rx 5533 2001 Factory Service Repair Manual
 - Setting Reading Goals Seadoo Rx 5533 2001 Factory Service Repair Manual
 - Carving Out Dedicated Reading Time
12. Sourcing Reliable Information of Seadoo Rx 5533 2001 Factory Service Repair Manual
 - Fact-Checking eBook Content of Seadoo Rx 5533 2001 Factory Service Repair Manual
 - Distinguishing Credible Sources
13. Promoting Lifelong Learning
 - Utilizing eBooks for Skill Development
 - Exploring Educational eBooks
14. Embracing eBook Trends
 - Integration of Multimedia Elements

- Interactive and Gamified eBooks

Seadoo Rx 5533 2001 Factory Service Repair Manual Introduction

In this digital age, the convenience of accessing information at our fingertips has become a necessity. Whether its research papers, eBooks, or user manuals, PDF files have become the preferred format for sharing and reading documents. However, the cost associated with purchasing PDF files can sometimes be a barrier for many individuals and organizations. Thankfully, there are numerous websites and platforms that allow users to download free PDF files legally. In this article, we will explore some of the best platforms to download free PDFs. One of the most popular platforms to download free PDF files is Project Gutenberg. This online library offers over 60,000 free eBooks that are in the public domain. From classic literature to historical documents, Project Gutenberg provides a wide range of PDF files that can be downloaded and enjoyed on various devices. The website is user-friendly and allows users to search for specific titles or browse through different categories. Another reliable platform for downloading Seadoo Rx 5533 2001 Factory Service Repair Manual free PDF files is Open Library. With its vast collection of over 1 million eBooks, Open Library has something for every reader. The website offers a seamless experience by providing options to borrow or download PDF files. Users simply need to create a free account to access this treasure trove of knowledge. Open Library also allows users to contribute by uploading and sharing their own PDF files, making it a collaborative platform for book enthusiasts. For those interested in academic resources, there are websites dedicated to providing free PDFs of research papers and scientific articles. One such website is Academia.edu, which allows researchers and scholars to share their work with a global audience. Users can download PDF files of research papers, theses, and dissertations covering a wide range of subjects. Academia.edu also provides a platform for discussions and networking within the academic community. When it comes to downloading Seadoo Rx 5533 2001 Factory Service Repair Manual free PDF files of magazines, brochures, and catalogs, Issuu is a popular choice. This digital publishing platform hosts a vast collection of publications from around the world. Users can search for specific titles or explore various categories and genres. Issuu offers a seamless reading experience with its user-friendly interface and allows users to download PDF files for offline reading. Apart from dedicated platforms, search engines also play a crucial role in finding free PDF files. Google, for instance, has an advanced search feature that allows users to filter results by file type. By specifying the file type as "PDF," users can find websites that offer free PDF downloads on a specific topic. While downloading Seadoo Rx 5533 2001 Factory Service Repair Manual free PDF files is convenient, its important to note that copyright laws must be respected. Always ensure that the PDF files you download are legally available for free. Many authors and publishers voluntarily provide free PDF versions of their work, but its essential to be cautious and verify the authenticity of the source before downloading Seadoo Rx 5533 2001 Factory Service Repair Manual. In conclusion, the internet offers numerous

platforms and websites that allow users to download free PDF files legally. Whether its classic literature, research papers, or magazines, there is something for everyone. The platforms mentioned in this article, such as Project Gutenberg, Open Library, Academia.edu, and Issuu, provide access to a vast collection of PDF files. However, users should always be cautious and verify the legality of the source before downloading Seadoo Rx 5533 2001 Factory Service Repair Manual any PDF files. With these platforms, the world of PDF downloads is just a click away.

FAQs About Seadoo Rx 5533 2001 Factory Service Repair Manual Books

How do I know which eBook platform is the best for me? Finding the best eBook platform depends on your reading preferences and device compatibility. Research different platforms, read user reviews, and explore their features before making a choice. Are free eBooks of good quality? Yes, many reputable platforms offer high-quality free eBooks, including classics and public domain works. However, make sure to verify the source to ensure the eBook credibility. Can I read eBooks without an eReader? Absolutely! Most eBook platforms offer web-based readers or mobile apps that allow you to read eBooks on your computer, tablet, or smartphone. How do I avoid digital eye strain while reading eBooks? To prevent digital eye strain, take regular breaks, adjust the font size and background color, and ensure proper lighting while reading eBooks. What the advantage of interactive eBooks? Interactive eBooks incorporate multimedia elements, quizzes, and activities, enhancing the reader engagement and providing a more immersive learning experience. Seadoo Rx 5533 2001 Factory Service Repair Manual is one of the best book in our library for free trial. We provide copy of Seadoo Rx 5533 2001 Factory Service Repair Manual in digital format, so the resources that you find are reliable. There are also many Ebooks of related with Seadoo Rx 5533 2001 Factory Service Repair Manual. Where to download Seadoo Rx 5533 2001 Factory Service Repair Manual online for free? Are you looking for Seadoo Rx 5533 2001 Factory Service Repair Manual PDF? This is definitely going to save you time and cash in something you should think about.

Find Seadoo Rx 5533 2001 Factory Service Repair Manual :

[nursing bursary in gauteng](#)

[**nussbaum jumbo nt car lift user guide**](#)

[numerical analysis test](#)

[**ny courts guardian report rochester**](#)

[**nwu vaal late applications for 2015**](#)

nutrition and digestion review answer key

[nuclear reactor physics stacey solution manual](#)

[nursing program application essays](#)

numerical methods for engineering

nwea growth chart 2014

nutribullet paleo smoothie recipes

nuclear decay answers

[nutrionics introduction to elemental pairs](#)

[numeracy and statistics past papers september 2014](#)

nuovo manualetto di linguistica italiana

Seadoo Rx 5533 2001 Factory Service Repair Manual :

[012032 4 40 5 iteh standards](#) - Jan 28 2022

web the text of the international standard iec 60068 2 38 2021 was approved by cenelec as a european standard without any modification in the official version for bibliography the following notes have to be added for the standards indicated iec 60068 2 30 note harmonized as en 60068 2 30 iec 60068 2 78 note harmonized as en 60068 2 78

[iec 60068 2 64 pdf ebook download docdatabase net](#) - Aug 15 2023

web 60115 1 iec 1999 a1 2001 e œ 7 œ iec 60068 2 6 1995 environmental testing œ part 2 tests œ test fc vibration sinusoidal iec 60068 2 13 1983 environmental international standard iec 60068 2 27 view online download

[international iec standard 60068 2 64 iec webstore](#) - Jun 01 2022

web jun 3 2013 you can view this international iec standard 60068 2 64 iec webstore pdf file on our website or you can download it as well pdf view and downloadable pdf file about international iec standard 60068 2 64 iec webstore pdf selected and prepared for you by browsing on search engines

edition 2 0 2008 04 international standard norme internationale - Jul 14 2023

web iec 60068 2 64 edition 2 0 2008 04 international standard norme internationale environmental testing part 2 64 tests test fh vibration broadband random and guidance essais d environnement partie 2 64 essais essai fh vibrations aléatoires à large bande et guide this publication is copyright

international iec standard 60068 2 64 sai global - Aug 03 2022

web jan 6 2016 all rights of this international iec standard 60068 2 64 sai global file is reserved to who prepared it environmental testing part 2 test methods test fh vibration broad band random digital control and guidance reference

number iec 60068 2 64 1993 e 60068 2 68 last update 7 year ago

iec 60068 2 28 1968 iec webstore - Dec 27 2021

web iec 60068 2 28 1968 standard basic environmental testing procedures for electronic components and electronic equipment part 2 tests guidance for damp heat tests international standard publication date 1968 01 01 edition 1 0 available language s english french russian tc sc keep up to date with new publication releases

standard detayı tse - Apr 11 2023

web en 60068 2 64 ics kodu atıf yapılan std iec 60050 300 ts 1876 en 60068 1 1997 ts en 60068 2 6 2009 iec 60068 47 iec 60068 3 ts en 60068 5 2 2000 iec 60721 3 iec guide 104 iso 2041 ts en 60068 2 47 2008 ts en 60068 3 8 2006 ts en 60721 3 0 2001 cen cenelec cenelec iec dili tr

din en 60068 2 64 2020 09 beuth de - Feb 26 2022

web home key industry sectors mechanical engineering din en 60068 2 64 2020 09 vde 0468 2 64 2020 09 standard current din en 60068 2 64 2020 09 vde 0468 2 64 2020 09 environmental testing part 2 64 tests test fh vibration broadband random and guidance iec 60068 2 64 2008 a1 2019 german version en 60068 2 64 2008

din en 60068 2 64 vde 0468 2 64 2020 09 standards vde - Apr 30 2022

web iec 60068 2 64 2008 a1 2019 german version en 60068 2 64 2008 a1 2019 class status standard valid released 2020 09 *iec 60068 2 64 ed 2 0 b 2008 ansi webstore* - Jul 02 2022

web iec 60068 2 64 ed 2 0 b 2008 environmental testing part 2 64 tests test fh vibration broadband random and guidance iec 60068 2 64 2008 demonstrates the adequacy of specimens to resist dynamic loads without unacceptable degradation of its functional and or structural integrity when subjected to the specified random vibration test

edition 2 0 2008 04 international standard norme internationale - May 12 2023

web international standard iec 60068 2 64 has been prepared by iec technical committee 104 environmental conditions classification and methods of test this second edition cancels and replaces the first edition published in 1993 and constitutes

iec 60068 2 2023 ser iec webstore - Nov 06 2022

web iec 60068 2 2023 ser series environmental testing part 2 tests all parts iec 60068 2 64 2008 amd1 2019 csv iec 60068 2 65 2013 iec 60068 2 66 1994 iec 60068 2 67 1995 amd1 2019 csv international standard publication date 2023 07 27 edition 1 0 available language s

iec 60068 2 64 environmental testing ihs markit standards - Jan 08 2023

web iec 60068 2 64 revision 2 1 october 2019 environmental testing part 2 64 tests test fh vibration broadband random and guidance this part of iec 60068 demonstrates the adequacy of specimens to resist dynamic loads without unacceptable degradation of its functional and or structural integrity when subjected to the specified random

international iec standard 60068 2 64 - Dec 07 2022

web international electrotechnical commission 3 rue de varembe po box 131 ch 1211 geneva 20 switzerland telephone 41 22 919 02 11 telefax 41 22 919 03 00 e mail inmail iec ch web iec ch international standard iec 60068 2 64 first edition 1993 05 commission electrotechnique internationale x international

international iec standard 60068 2 64 sai global store - Mar 30 2022

web as from 1 january 1997 all iec publications are issued with a designation in the 60000 series for example iec 34 1 is now referred to as iec 60034 1 consolidated editions the iec is now publishing consolidated versions of its publications for example edition numbers 1 0 1 1 and 1 2 refer respectively to the base publication the base

iec 60068 2 64 2008 amd1 2019 edition 2 1 normadoc com - Sep 04 2022

web apr 29 2008 details iec 60068 2 64 2008 a1 2019 demonstrates the adequacy of specimens to resist dynamic loads without unacceptable degradation of its functional and or structural integrity when subjected to the specified random vibration test requirements

antpedia com - Feb 09 2023

web dec 31 2021 iec 60068 2 64 edition 2 1 201 9 10 consolidated version version consolid É e environmental testing part 2 64 tests test fh vibration broadband random and guidance essais d environnement partie 2 64 essais essai fh vibrations aléatoires à large bande et guide iec 60068 2 64 20 0 8 0 4 amd 1 201 9

consolidated version international standard norme internationale - Jun 13 2023

web iec 60068 2 64 edition 2 1 2019 10 consolidated version norme internationale colour inside environmental testing part 2 64 tests test fh vibration broadband random and guidance essais d environnement partie 2 64 essais essai fh vibrations aléatoires à large bande et guide international

iec 60068 2 64 pdf international electrotechnical commission - Oct 05 2022

web international iec standard 60068 2 64 first edition 1993 05 basic safety publication environmental testing this is a free 6 page sample access the full version online part 2 test methods test fh vibration broad band random digital control and guidance this english language version is derived from the original

iec 60068 wikipedia - Mar 10 2023

web 3 iec 60068 2 1 test a cold 4 iec 60068 2 2 test b dry heat 5 iec 60068 2 5 test s simulated solar radiation at ground level and guidance for solar radiation testing and weathering iec 60068 2 6 test fc vibration sinusoidal iec 60068 2 7 test ga and guidance acceleration steady state

lecture ms moyenne section pdf à imprimer pass education - Nov 06 2022

web lecture en moyenne section ressources à imprimer en explorant le site pass education vous trouverez des fiches de

lecture en moyenne section celles ci portent sur un thème apprécié par les maternelles tel que la rentrée la chandeleur la galette la fête de pâques les sciences etc elles offrent aussi des exercices de lecture

toute ma maternelle français moyenne section 4 5 ans - May 12 2023

web un cahier pour bien démarrer la lecture et l écriture ce cahier permet de développer des compétences fondamentales sens de l observation reconnaissance de lettres toute ma maternelle français moyenne section 4 5 ans hachette education

tout le programme moyenne section 4 5 ans pdf - Jun 01 2022

web la moyenne section pour les 4 5 ans 2ème année de maternelle livre j aime la maternelle tout le programme moyenne section ans collectif activité vous trouverez ici un ensemble d exercices fiches et jeux adaptés aux enfants de 4 5 ans et reprenant tous les thèmes à aborder en moyenne section de

exercices et activités en moyenne section ms grandir avec - Jul 14 2023

web des fiches pédagogiques et des coloriages magiques à imprimer pour les enfants de 4 5 ans l enfant peut en autonomie faire des exercices de moyenne section vocabulaire logique numération et premiers graphismes a chacun son rythme exercices et activités en moyenne section

fiches maternelles de lecture grande section moyenne section - Aug 15 2023

web fiches maternelle lecture grande section moyenne section lecture en maternelle titres d albums et exercices de la petite taupe qui voulait savoir boucle d or le magicien des couleurs arc en ciel elmer m toto la princesse au petit pois pierre et le loup il y a un alligator pélagie le loup est revenu roule galette rafara une soupe

exercices de moyenne section ma maternelle - Jul 02 2022

web may 29 2020 qu est ce que la moyenne section seconde année pour votre enfant il a déjà certains repères et sa méthode de travail il apprendra par le biais des exercices de moyenne section de maternelle à devenir autonome et à raisonner de lui même

mon cahier maternelle moyenne section 4 5 ans nathan - Mar 10 2023

web un cahier pour poursuivre à la maison les apprentissages de l école des activités ludiques et variées pour revoir la totalité du programme de la classe de moyenne section de maternelle en écriture pour s initier à la maîtrise du geste et s exercer à tracer des lettres

toute ma maternelle moyenne section 4 5 ans hachette - Jun 13 2023

web le cahier n 1 de la maternelle pour bien accompagner son enfant tout au long de l année 88 fiches d activités simples et ludiques conformes au programme plus de 120 autocollants des illustrations attrayantes et des thèmes amusants pour encourager l enfant et le stimuler un poster à détacher et à afficher au recto l alphabet au verso le

lecture maternelle moyenne section 4 5 ans decitre - Dec 27 2021

web may 1 2013 lecture maternelle moyenne section 4 5 ans de fabrice gachet collection graine de génie livraison gratuite à 0 01 dès 35 d achat librairie decitre votre prochain livre est là

mon cahier maternelle lecture écriture moyenne section extrait - Oct 05 2022

web moyenne section 4 5 ans maternelle d auto avec ple collants in lecture Écriture e u n cadea ue riag e magiq un colo un cahier pour poursuivre à la maison les apprentissages de l école des activités ludiques et variées sur tout le programme de lecture et d écriture de moyenne section en lecture sur chaque page

bravo les maternelles lecture moyenne section dès 4 ans - Dec 07 2022

web la collection bravo les maternelles propose une approche ludique et pédagogique des notions vues en moyenne section de maternelle grâce à des activités adaptées aux enfants à partir de 4 ans avec le cahier de lecture bravo les maternelles ms votre enfant s initie en douceur aux premières notions de la lecture

tout le programme moyenne section 4 5 ans a la maternelle - Apr 11 2023

web un cahier pour accompagner l enfant toute l année des activités ludiques et variées pour aborder en douceur tous les apprentissages de moyenne section entraînement au graphisme et à l écriture premiers pas vers les mathématiques découverte du monde approche de la lecture

lecture moyenne section 4 5 ans de huguette chauvet decitre - Apr 30 2022

web may 1 2008 lecture moyenne section 4 5 ans de huguette chauvet collection les ateliers de la maternelle livraison gratuite à 0 01 dès 35 d achat librairie decitre votre prochain livre est là

ms moyenne section pdf gratuit à imprimer pass education - Mar 30 2022

web mathématiques progression annuelle moyenne section ms maternelle cycle 1 activités mathématiques moyenne section période 1 septembre octobre période 2 novembre décembre période 3 janvier février période 4 mars avril période 5 mai juin compétences 1ère période compétences 2ème période compétences 3ème

vers la lecture en moyenne section grandir avec nathan - Sep 04 2022

web ma moyenne section avec t choupi les grandes notions de maternelle graphisme écriture nombres 4 5 ans

la lecture vers 4 5 ans apprendsmoimaman com - Aug 03 2022

web la lecture vers 4 5 ans 06 03 2018 apprendsmoimaman dès 4 5 ans certains enfants sont capables d apprendre à lire alors pourquoi pas essayer en employant des méthodes ludiques 1 apprendre les lettres

lecture moyenne section 4 5 ans amazon fr - Feb 09 2023

web amazon fr lecture moyenne section 4 5 ans cohen albert roullier jean laborie karen livres livres dictionnaires langues et encyclopédies langues étrangères neuf 4 90 tous les prix incluent la tva livraison à 6 99 17 20 avril détails habituellement expédié sous 6 à 7 jours quantité ajouter au panier acheter cet article

toute ma maternelle tout le programme moyenne section 4 5 ans - Jan 08 2023

web le cahier n 1 de la maternelle pour bien accompagner son enfant tout au long de l année 88 fiches d activités simples et ludiques conformes au programme plus de 120 autocollants des illustrations attrayantes et des thèmes amusants pour encourager l enfant et le stimuler un poster à détacher et à afficher au recto l alphabet au verso le

lecture moyenne section 4 5 ans cohen albert label emmaüs - Feb 26 2022

web lecture moyenne section 4 5 ans livre d occasion écrit par cohen albert paru en 2017 aux éditions hatier thème parascolaire cahier de

isdelbuta lecture écriture moyenne section 4 5 ans télécharger - Jan 28 2022

web jun 4 2018 entraînement aux premiers déchiffres lecture de quelques mots Écriture réalisation de graphismes fins et orientés reproduction de tracés avec un modèle exercices d écriture ebook lecture écriture moyenne section 4 5 ans télécharger pdf epub kindle

wingspan knitting pattern etsy - Jul 03 2023

web check out our wingspan knitting pattern selection for the very best in unique or custom handmade pieces from our shops

ravelry wingspan pattern by ruth boelkins - Mar 31 2023

web sep 6 2023 wingspan uses only knit purl and slipped stitches throughout there are five different stitch patterns and some repeat with a different color mosaic knitting in the round means no stranded color work and only one color worked per round easy and fun

[tips for knitting wingspan shiny happy world](#) - Sep 24 2022

web apr 12 2012 to accomplish the patterning for wingspan you basically want to turn 3 stitches before the last time you turned on the previous row fortunately since the pattern recommends not wrapping before turning you ll see a giant gap in your work where you previously turned the red arrow

wingspan shawl vectorknits designs - Jan 29 2023

web pattern details this pattern contains instructions for knitting wingspan in three sizes needles 3 25 mm us 3 circular needles 40 inch or larger recommended 4 5 mm us 7 straight or circular needles for the bind off gauge 32 sts by 56 rows for a 4 inch square in linen stitch before blocking other materials stitch markers up to 26

wingspan knitted shawl loubug knits - Oct 26 2022

web jun 27 2023 this wingspan shawl is by maylin tri coterie designs and the pattern can be downloaded free from ravelry i m amazed at how popular this pattern is loads of people have posted images of their versions and each one looks unique

wingspan shawl knitting pattern knitting pattern - May 01 2023

web wingspan shawl knitting pattern the wingspan shawl is as light and elegant as it is regal and powerful drawing

inspiration from the wings of a bird this symmetrical pattern can be a bit of a tedious knit but the rewards are absolutely worth it

ravelry wingspan patterns - Jun 02 2023

web it includes the structure of wingspan and how changing certain stitch counts can dramatically change your final creation you have all the information to modify to your hearts content included will be 3 extra pattern modifications to show you how to do it this is a very comprehensive ebook which will contain more than 20 pages when complete

wingspan shawl using zauberball knitting squirrel - Aug 04 2023

web jan 1 2013 the wingspan shawl is certain to attract comment from both your non knitting and knitting friends the former will want you to knit one for them and the latter will want to know which pattern and yarn you used the pattern wingspan is designed by maylin tri coterie designs as soon as i saw photographs of the finished pattern on

wingspan shawl knitting pattern crochet knitting - May 21 2022

web wingspan shawl knitting pattern crochet knitting designed with blue brick yarn this wingspan shawl stands at the intersection of knitting and nature the shawl is as light and elegant as it is regal and powerful drawing inspiration from the wings of a bird

wingspan shawl knitting pattern knitting pattern pinterest - Apr 19 2022

web wingspan shawl knitting pattern knitting pattern wingspan shawl knitting pattern shawl knitting patterns crochet shawl knit patterns crochet stitches knit crochet knitted loom knitting stitches knit poncho poncho pattern knittingpattern 112k [wingspan shawl knitting pattern](#) - Feb 15 2022

web may 4 2019 the wingspan shawl knitting pattern has very detailed instructions the difficulty level of this pattern is rated as medium it s a great pattern for you to practice new knitting skills it will be a really fun and rewarding project to work on share with your awesome final product with us

ravelry bananaknits winged vest - Dec 28 2022

web nov 8 2012 project info pattern wingspan by maylin tri coterie designs craft knitting category neck torso shawl wrap needles yarn us 7 4 5 mm yarn noro silk garden lite yarn noro silk garden sock colorway s301 dye lot d notes it started out as a wingspan shawl and soon it morphed into a vest

the original wingspan knitting pattern digital download etsy - Feb 27 2023

web the original wingspan knitting pattern digital download etsy the original wingspan pattern first published on ravelry in april 2011 the patterns has been downloaded hundreds of thousands of times tens of thousands of wingspans have been made you can see pictures of over 10 000 projects on ravelry etsy categories accessories

knitter s geometry triangular shawls interweave - Mar 19 2022

web jul 4 2017 there are four basic ways to knit a triangle top down point up wingspan down and side to side top down for a directional stitch pattern point up construction would give you the correct stitch pattern orientation while wingspan down would flip it 180 degrees as new stitches are added or removed on the ends of every row more pattern

[23 wingspan shawl ideas knitting patterns shawl knitting pinterest](#) - Jul 23 2022

web feb 15 2020 explore bernadette lozada s board wingspan shawl on pinterest see more ideas about knitting patterns shawl knitting

[ravelry tunisian wingspan pattern by amy depew](#) - Jun 21 2022

web jun 2 2019 tunisian wingspan by amy depew published in no longer available from 1 source show craft crochet category neck torso shawl wrap published july 2012 suggested yarn languages english german asymmetric bias reversible seamless short rows textured tunisian worked flat written pattern search patterns with these

ravelry wingspan pattern by maylin tri coterie designs - Sep 05 2023

web may 7 2019 wingspan craft knitting category neck torso shawl wrap published june 2011 suggested yarn tri coterie sock mcn self striping yarn weight fingering 14 wpi needle size us 4 3 5 mm yardage 361 465 yards 330 425 m sizes available adjustable size asymmetric one piece reversible seamless short

wingspan pattern etsy - Aug 24 2022

web wingspan pattern etsy 1 60 of 152 results price shipping all sellers pattern wingspan bird nest for eggs 103 2 00

wingspan bird house laser cut svg dxf digital file 21 1 42 small nest for wingspan board game expansion crochet 194 5 00

crochet pattern wingspan bird nests instant pdf download 161 0 99

[tri coterie wingspan examples and adaptations pinterest](#) - Nov 26 2022

web jun 5 2016 wingspan examples and adaptations of my garter stitch shawl pattern with many thanks to all the creative knitters who interpreted it in their own way the pattern is available at ravelry com see more ideas about garter stitch shawl pattern pattern

[ravelry wingspan pattern by kyle vey](#) - Oct 06 2023

web apr 27 2019 wingspan combines intermediate level knitting techniques such as increases decreases cables and short rows to give it the look and feel of feathers whether you are knitting it for yourself a friend or a family member the future recipient is