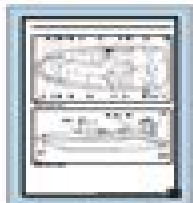




22



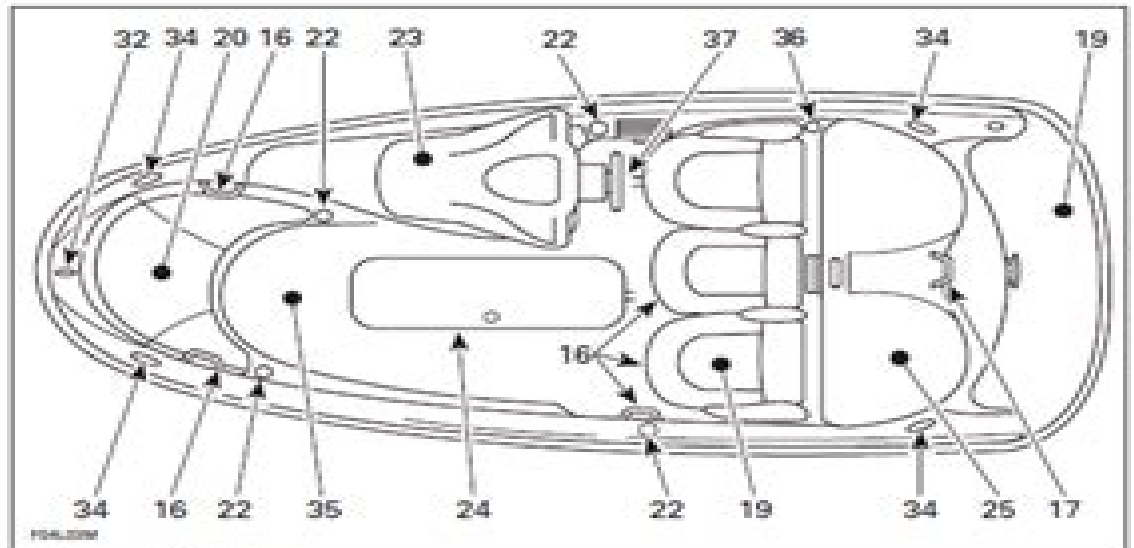
23



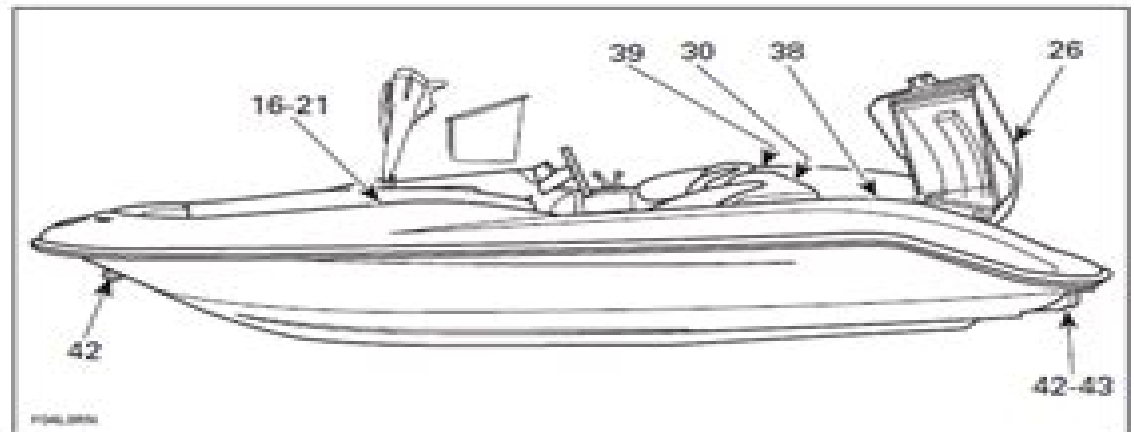
24



25



TYPICAL — TOP VIEW



TYPICAL — SIDE VIEW

# Seadoo Challenger 1800 Wiring Manual

**AW Chickering**



## **Seadoo Challenger 1800 Wiring Manual:**

## Decoding **Seadoo Challenger 1800 Wiring Manual**: Revealing the Captivating Potential of Verbal Expression

In an era characterized by interconnectedness and an insatiable thirst for knowledge, the captivating potential of verbal expression has emerged as a formidable force. Its power to evoke sentiments, stimulate introspection, and incite profound transformations is genuinely awe-inspiring. Within the pages of "**Seadoo Challenger 1800 Wiring Manual**," a mesmerizing literary creation penned by way of a celebrated wordsmith, readers set about an enlightening odyssey, unraveling the intricate significance of language and its enduring effect on our lives. In this appraisal, we shall explore the book's central themes, evaluate its distinctive writing style, and gauge its pervasive influence on the hearts and minds of its readership.

[https://crm.avenza.com/public/book-search/fetch.php/s10\\_truck\\_guide.pdf](https://crm.avenza.com/public/book-search/fetch.php/s10_truck_guide.pdf)

### **Table of Contents Seadoo Challenger 1800 Wiring Manual**

1. Understanding the eBook Seadoo Challenger 1800 Wiring Manual
  - The Rise of Digital Reading Seadoo Challenger 1800 Wiring Manual
  - Advantages of eBooks Over Traditional Books
2. Identifying Seadoo Challenger 1800 Wiring Manual
  - Exploring Different Genres
  - Considering Fiction vs. Non-Fiction
  - Determining Your Reading Goals
3. Choosing the Right eBook Platform
  - Popular eBook Platforms
  - Features to Look for in an Seadoo Challenger 1800 Wiring Manual
  - User-Friendly Interface
4. Exploring eBook Recommendations from Seadoo Challenger 1800 Wiring Manual
  - Personalized Recommendations
  - Seadoo Challenger 1800 Wiring Manual User Reviews and Ratings
  - Seadoo Challenger 1800 Wiring Manual and Bestseller Lists

5. Accessing Seadoo Challenger 1800 Wiring Manual Free and Paid eBooks
  - Seadoo Challenger 1800 Wiring Manual Public Domain eBooks
  - Seadoo Challenger 1800 Wiring Manual eBook Subscription Services
  - Seadoo Challenger 1800 Wiring Manual Budget-Friendly Options
6. Navigating Seadoo Challenger 1800 Wiring Manual eBook Formats
  - ePub, PDF, MOBI, and More
  - Seadoo Challenger 1800 Wiring Manual Compatibility with Devices
  - Seadoo Challenger 1800 Wiring Manual Enhanced eBook Features
7. Enhancing Your Reading Experience
  - Adjustable Fonts and Text Sizes of Seadoo Challenger 1800 Wiring Manual
  - Highlighting and Note-Taking Seadoo Challenger 1800 Wiring Manual
  - Interactive Elements Seadoo Challenger 1800 Wiring Manual
8. Staying Engaged with Seadoo Challenger 1800 Wiring Manual
  - Joining Online Reading Communities
  - Participating in Virtual Book Clubs
  - Following Authors and Publishers Seadoo Challenger 1800 Wiring Manual
9. Balancing eBooks and Physical Books Seadoo Challenger 1800 Wiring Manual
  - Benefits of a Digital Library
  - Creating a Diverse Reading Collection Seadoo Challenger 1800 Wiring Manual
10. Overcoming Reading Challenges
  - Dealing with Digital Eye Strain
  - Minimizing Distractions
  - Managing Screen Time
11. Cultivating a Reading Routine Seadoo Challenger 1800 Wiring Manual
  - Setting Reading Goals Seadoo Challenger 1800 Wiring Manual
  - Carving Out Dedicated Reading Time
12. Sourcing Reliable Information of Seadoo Challenger 1800 Wiring Manual
  - Fact-Checking eBook Content of Seadoo Challenger 1800 Wiring Manual
  - Distinguishing Credible Sources
13. Promoting Lifelong Learning

- Utilizing eBooks for Skill Development
  - Exploring Educational eBooks
14. Embracing eBook Trends
- Integration of Multimedia Elements
  - Interactive and Gamified eBooks

### **Seadoo Challenger 1800 Wiring Manual Introduction**

In the digital age, access to information has become easier than ever before. The ability to download Seadoo Challenger 1800 Wiring Manual has revolutionized the way we consume written content. Whether you are a student looking for course material, an avid reader searching for your next favorite book, or a professional seeking research papers, the option to download Seadoo Challenger 1800 Wiring Manual has opened up a world of possibilities. Downloading Seadoo Challenger 1800 Wiring Manual provides numerous advantages over physical copies of books and documents. Firstly, it is incredibly convenient. Gone are the days of carrying around heavy textbooks or bulky folders filled with papers. With the click of a button, you can gain immediate access to valuable resources on any device. This convenience allows for efficient studying, researching, and reading on the go. Moreover, the cost-effective nature of downloading Seadoo Challenger 1800 Wiring Manual has democratized knowledge. Traditional books and academic journals can be expensive, making it difficult for individuals with limited financial resources to access information. By offering free PDF downloads, publishers and authors are enabling a wider audience to benefit from their work. This inclusivity promotes equal opportunities for learning and personal growth. There are numerous websites and platforms where individuals can download Seadoo Challenger 1800 Wiring Manual. These websites range from academic databases offering research papers and journals to online libraries with an expansive collection of books from various genres. Many authors and publishers also upload their work to specific websites, granting readers access to their content without any charge. These platforms not only provide access to existing literature but also serve as an excellent platform for undiscovered authors to share their work with the world. However, it is essential to be cautious while downloading Seadoo Challenger 1800 Wiring Manual. Some websites may offer pirated or illegally obtained copies of copyrighted material. Engaging in such activities not only violates copyright laws but also undermines the efforts of authors, publishers, and researchers. To ensure ethical downloading, it is advisable to utilize reputable websites that prioritize the legal distribution of content. When downloading Seadoo Challenger 1800 Wiring Manual, users should also consider the potential security risks associated with online platforms. Malicious actors may exploit vulnerabilities in unprotected websites to distribute malware or steal personal information. To protect themselves, individuals should ensure their devices have reliable antivirus software installed and validate the legitimacy of the websites

they are downloading from. In conclusion, the ability to download Seadoo Challenger 1800 Wiring Manual has transformed the way we access information. With the convenience, cost-effectiveness, and accessibility it offers, free PDF downloads have become a popular choice for students, researchers, and book lovers worldwide. However, it is crucial to engage in ethical downloading practices and prioritize personal security when utilizing online platforms. By doing so, individuals can make the most of the vast array of free PDF resources available and embark on a journey of continuous learning and intellectual growth.

### **FAQs About Seadoo Challenger 1800 Wiring Manual Books**

How do I know which eBook platform is the best for me? Finding the best eBook platform depends on your reading preferences and device compatibility. Research different platforms, read user reviews, and explore their features before making a choice. Are free eBooks of good quality? Yes, many reputable platforms offer high-quality free eBooks, including classics and public domain works. However, make sure to verify the source to ensure the eBook credibility. Can I read eBooks without an eReader? Absolutely! Most eBook platforms offer webbased readers or mobile apps that allow you to read eBooks on your computer, tablet, or smartphone. How do I avoid digital eye strain while reading eBooks? To prevent digital eye strain, take regular breaks, adjust the font size and background color, and ensure proper lighting while reading eBooks. What the advantage of interactive eBooks? Interactive eBooks incorporate multimedia elements, quizzes, and activities, enhancing the reader engagement and providing a more immersive learning experience. Seadoo Challenger 1800 Wiring Manual is one of the best book in our library for free trial. We provide copy of Seadoo Challenger 1800 Wiring Manual in digital format, so the resources that you find are reliable. There are also many Ebooks of related with Seadoo Challenger 1800 Wiring Manual. Where to download Seadoo Challenger 1800 Wiring Manual online for free? Are you looking for Seadoo Challenger 1800 Wiring Manual PDF? This is definitely going to save you time and cash in something you should think about. If you trying to find then search around for online. Without a doubt there are numerous these available and many of them have the freedom. However without doubt you receive whatever you purchase. An alternate way to get ideas is always to check another Seadoo Challenger 1800 Wiring Manual. This method for see exactly what may be included and adopt these ideas to your book. This site will almost certainly help you save time and effort, money and stress. If you are looking for free books then you really should consider finding to assist you try this. Several of Seadoo Challenger 1800 Wiring Manual are for sale to free while some are payable. If you arent sure if the books you would like to download works with for usage along with your computer, it is possible to download free trials. The free guides make it easy for someone to free access online library for download books to your device. You can get free download on free trial for lots of books categories. Our library is the

biggest of these that have literally hundreds of thousands of different products categories represented. You will also see that there are specific sites catered to different product types or categories, brands or niches related with Seadoo Challenger 1800 Wiring Manual. So depending on what exactly you are searching, you will be able to choose e books to suit your own need. Need to access completely for Campbell Biology Seventh Edition book? Access Ebook without any digging. And by having access to our ebook online or by storing it on your computer, you have convenient answers with Seadoo Challenger 1800 Wiring Manual To get started finding Seadoo Challenger 1800 Wiring Manual, you are right to find our website which has a comprehensive collection of books online. Our library is the biggest of these that have literally hundreds of thousands of different products represented. You will also see that there are specific sites catered to different categories or niches related with Seadoo Challenger 1800 Wiring Manual So depending on what exactly you are searching, you will be able to choose ebook to suit your own need. Thank you for reading Seadoo Challenger 1800 Wiring Manual. Maybe you have knowledge that, people have search numerous times for their favorite readings like this Seadoo Challenger 1800 Wiring Manual, but end up in harmful downloads. Rather than reading a good book with a cup of coffee in the afternoon, instead they juggled with some harmful bugs inside their laptop. Seadoo Challenger 1800 Wiring Manual is available in our book collection an online access to it is set as public so you can download it instantly. Our digital library spans in multiple locations, allowing you to get the most less latency time to download any of our books like this one. Merely said, Seadoo Challenger 1800 Wiring Manual is universally compatible with any devices to read.

### **Find Seadoo Challenger 1800 Wiring Manual :**

[s10 truck guide](#)

**saab dashboard electrical distribution box**

*s1 ocr june 13*

[sabs house wiring](#)

[saeco royal exclusive user manual](#)

**safari animal paper cut outs**

[ryobi weed eater service manual](#)

**saab 900 vacuum diagram librarymore**

*sae technical paper series hdi fap*

**rZR 8engine bolt torque specs**

~~safety data sheet norcem portland cements cem i og ii~~

**sabotage and subversion the soe and oss at war**



**sabre yachts operator manual**

saab convertible repair

**saab 900 automatic transmission problems**

**Seadoo Challenger 1800 Wiring Manual :**

*through the eyes of idioms by the free dictionary* - May 12 2023

web through the eyes of someone from someone else s perspective or point of view try to consider topic through the eyes of the person you re debating so you can better understand their potential arguments i try to look at things through the eyes of my students when coming up with my curriculum

**phil collins look through my eyes youtube** - Aug 03 2022

web mar 24 2012 music video by phil collins look through my eyes brother bear soundtrack copyright belongs to disney

*through my eyes summary and study guide supersummary* - Jan 08 2023

web a nonfiction book by ruby bridges the first african american child to integrate an elementary school in new orleans louisiana in 1960 the book tells her childhood perspective of the events and legacy of that historic moment in the civil rights movement it features chapter summaries analysis themes quotes and essay topics

*through my eyes idioms by the free dictionary* - Jul 14 2023

web through one s eyes from someone else s perspective or point of view i try to look at things through the student s eyes when coming up with my curriculum try to consider topic through your opponent s eyes when preparing for the debate so you can better understand their potential arguments

**through my eyes wikipedia** - Dec 07 2022

web through my eyes through my eyes may refer to through my eyes erica baxter album 2007 through my eyes fabrizio sotti album 2004 through my eyes hunter hayes album 2000 through my eyes miniseries 2004 australian television crime drama this disambiguation page lists articles associated with the title through my eyes

*travis scott my eyes official audio youtube* - Feb 26 2022

web jul 27 2023 travis scott my eyes official audio utopia available at travisscott lnk to utopiatravis scott online shop travisscott com twitt

**through my eyes tv mini series 2004 imdb** - Sep 04 2022

web through my eyes created by tony cavanaugh simone north with miranda otto craig mclachlan peter o brien steven vidler the true life story of lindy chamberlain and her recount of a dingo taking her baby

**travis scott my eyes lyrics genius lyrics** - Oct 05 2022

web jul 28 2023 my eyes lyrics part i pre chorus justin vernon when i stare in your eyes you ll be there forever to watch our life to watch our life together you just like going to heaven my

**book connections through my eyes** - Nov 06 2022

web sep 12 2023 through my eyes by ruby bridges and margo lundell in 1960 six year old ruby bridges became the first african american student to attend read more 23 total resources 7 awards 4 state lists view text complexity discover like *through my eyes ruby bridges margo lundell margo lundell* - Jul 02 2022

web sep 1 1999 ruby bridges shares her personal and moving account of the day in 1960 when she became the first black child to integrate a white school in new orleans louisiana this book is a poignant and lyrical story of a landmark moment in the civil rights movement with historical photos quotes and updates on her life and work

*tureng through my eyes türkçe İngilizce sözlük* - Aug 15 2023

web İngilizce türkçe phrases 1 İfadeler through my own eyes expr

**vision of disorder through my eyes lyrics genius lyrics** - Apr 30 2022

web oct 22 1996 through my eyes lyrics my perception my infection lazy bloody eyes self destruct so addictive here s a taste of death here s your taste of death and i wish that i could feel the things you

through my eyes album reviews songs more allmusic - Jan 28 2022

web discover through my eyes by through my eyes find album reviews track lists credits awards and more at allmusic through my eyes 2014 imdb - Jun 01 2022

web nov 17 2014 through my eyes directed by rohan nuttall through my eyes offers honest insight into the realities of edmonton s at risk homeless youth acclaimed by the centre for global education as providing a captivating glimpse into the lives of some edmonton s most vulnerable the film profiles homeless and formerly homeless

through my eyes by ruby bridges goodreads - Apr 11 2023

web the web page for the book through my eyes by tim tebow is unavailable it may have moved or the web address you entered was incorrect visit our help section or home page for a fresh start

*through my eyes amazon com tr kitap* - Feb 09 2023

web through my eyes amazon com tr kitap Çerez tercihlerinizi seçin Çerez bildirimimizde ayrıntılı şekilde açıklandığı üzere alışveriş yapmanızı sağlamak alışveriş deneyiminizi iyileştirmek ve hizmetlerimizi sunmak için gerekli olan çerezleri ve benzer araçları kullanırız

**675 382 through my eyes stock photos high res pictures** - Mar 30 2022

web browse getty images premium collection of high quality authentic through my eyes stock photos royalty free images and pictures through my eyes stock photos are available in a variety of sizes and formats to fit your needs

**through my eyes miniseries wikipedia** - Mar 10 2023

web through my eyes also known as through my eyes the lindy chamberlain story is a two part australian television crime drama written by tony cavanaugh and simone north that is based upon the memoirs of lindy chamberlain creighton whose nine week old baby azaria was taken by a dingo from her family s tent near uluru in australia s remote

**through my eyes thanh bui youtube** - Dec 27 2021

web through my eyes sung by thanh bui is an attempt to help people get a handle on what it s like to live with an autism spectrum disorder music by fiona johnson words by valerie foley

**through my eyes youtube** - Jun 13 2023

web jul 31 2018 through my eyes lionelrichie 1 66m subscribers 589 89k views 5 years ago provided to youtube by universal music group through my eyes lionel richie more more lionelrichie event

**trait improvement of solanaceae fruit crops for vertical farming** - Mar 20 2022

web oct 24 2022 currently science and technology are continuously evolving by convergence with each other in agriculture new concepts such as smart farm vertical farming and urban agriculture have emerged beyond the traditional form

**science and practice archive org** - Jul 04 2023

web title science and practice in farm cultivation author james buckman release date july 10 2012 ebook 40190 language english start of this project gutenber ebook science and practice in farm produced by steven giacomelli harry lamé and the online distributed proofreading team at

**details science and practice in farm cultivation biodiversity** - Jun 22 2022

web science and practice in farm cultivation by buckman james 1816 1884 type book material published material publication info london r hardwicke 1865 subjects agriculture call number sb185 b92 language english identifiers

**best global universities for plant and animal science in turkey** - May 22 2022

web germany india italy japan netherlands see the us news rankings for plant and animal science among the top universities in turkey compare the academic programs at the world s best universities

**agriculture in turkey all about turkey** - Feb 16 2022

web the cultivated land is around 23 7 million hectares as per 2016 around 18 4 of the cultivated land is irrigated vegetable products account for 76 of total agricultural production then animal husbandary meanwhile forestry and fishing contribute a minimal amount fruits and field crops make up the most of vegetable products wheat being the

**the art and science of agriculture national geographic society** - Nov 27 2022

web oct 19 2023 agriculture is the art and science of cultivating the soil growing crops and raising livestock it includes the preparation of plant and animal products for people to use and their distribution to markets agriculture provides most of the

world s food and fabrics cotton wool and leather are all agricultural products

[science and practice in farm cultivation archive org](#) - Sep 06 2023

web oct 29 2008 science and practice in farm cultivation by buckman james 1816 1884 publication date 1865 topics agriculture publisher london r hardwicke collection americana contributor ncsu libraries language english 9 addeddate 2008 10 29 17 07 12 call number 005886521 camera canon 5d external identifier

**science and practice in farm cultivation amazon com tr kitap** - May 02 2023

web arama yapmak istediğiniz kategoriye seçin

**on farm experimentation to transform global agriculture** - Jan 30 2023

web dec 23 2021 nature food building productive relationships between farmers and scientists is critical to developing new innovation pathways to solve the challenges of contemporary agriculture on farm

*farmers experiments and scientific methodology springer* - Dec 29 2022

web may 15 2019 in this section six methodological precepts from modern science will be used as descriptive tools to characterize the methodological practices in farmers experiments namely using controls changing one variable at a time following the original plan randomizing blinding and replicating

**science and practice in farm cultivation google books** - Oct 07 2023

web science and practice in farm cultivation james buckman creative media partners llc 2018 386 pages this work has been selected by scholars as being culturally important and is part of the knowledge base of civilization as we know it this work was reproduced from the original artifact and remains as true to the original work as possible

*science and practice in farm cultivation kindle edition* - Jul 24 2022

web jun 15 2012 science and practice in farm cultivation by james buckman f l s f g s late professor of geology and rural economy at the royal agricultural college contents dedication part 1 how to grow good roots chapter 1 on the origin of root crops chapter 2 on the origin of sorts of roots chapter 3 on trueness of sort in

**science and practice in farm cultivation classic reprint** - Oct 27 2022

web excerpt from science and practice in farm cultivation the facility with which different sorts of roots may be procured can readily be understood from the many varieties not only of turnip which

[science and practice in farm cultivation kağıt kapak](#) - Apr 01 2023

web science and practice in farm cultivation buckman james amazon com tr kitap Çerez tercihlerinizi seçin Çerez bildirimimizde ayrıntılı şekilde açıklandığı üzere alışveriş yapmanızı sağlamak alışveriş deneyiminizi iyileştirmek ve hizmetlerimizi sunmak için gerekli olan çerezleri ve benzer araçları kullanırız

[science and practice in farm cultivation archive org](#) - Jun 03 2023

web science and practice in farm cultivation by buckman james 1816 1884 publication date 1865 topics agriculture field crops publisher london r hardwicke collection cornell americana digitizing sponsor msn contributor cornell university library contributor usage rights see terms language english the metadata below describe the original scanning

**science and practice in farm cultivation james buckman free** - Aug 05 2023

web jul 28 2018 science and practice in farm cultivation james buckman free download borrow and streaming internet archive

**science and practice in farm cultivation video dailymotion** - Apr 20 2022

web jun 23 2020 xrkpg read achieving sustainable cultivation of rice volume 2 cultivation pest and disease management burleigh dodds series in agricultural science by burleigh dodds science publishing pdf frankfurter

science and practice in farm cultivation google books - Sep 25 2022

web science and practice in farm cultivation james buckman r hardwicke 1865 agriculture 358 pages preview this book selected pages page 264 page 280 page

**the history and future of agricultural experiments sciencedirect** - Feb 28 2023

web feb 1 2011 an agricultural experiment is usually associated with a scientific method for testing certain agricultural phenomena a central point in the work of paul richards is that experimentation is at the heart of agricultural practice

*İstanbul tarım alanları agricultural land of İstanbul* - Aug 25 2022

web pdf on mar 1 2021 atakan büke and others published İstanbul tarım alanları agricultural land of İstanbul find read and cite all the research you need on researchgate

**what is a running record in early childhood education** - Dec 13 2021

**running record passages for first grade tpt** - Aug 21 2022

web feb 24 2019 first things first choose the book you are going to be reading my first several years of teaching we were given a set of books and recording forms that were

**running records teaching literacy in grades pre** - Dec 25 2022

web running record passages for first grade worksheets teaching resources tpt browse running record passages for first grade resources on teachers pay

*benchmark passages raz kids* - Oct 23 2022

web this packet contains the following running record for story in workshop book worksheet for story in workshop book to sort vowel sounds flashcards for new words in sto

**1st grade running record teaching resources** - Oct 03 2023

web are you looking for a simple running record form for your classroom if so this is a great resource to have if you teach kindergarten or first grade here is what is included 2 running record sheets the first sheet has 2 running records on one page for one child

*benchmark passages assessments reading a z* - Aug 01 2023

web oct 16 2023 a running record is a way to assess a student s reading progress by systematically evaluating a student s oral reading and identifying error patterns these

*running record assesment tips reading a z* - Apr 28 2023

web literacy teaching toolkit running records a running record is an assessment tool which provides an insight into a student s reading as it is happening clay 1993 a

**free 1st grade running record teaching resources tpt** - May 30 2023

web running records first grade collection by bigtime literacy 4 8 78 4 00 zip now updated the running records now include page numbers space to record errors self

*running records template free file and examples mrs wills* - Sep 21 2022

web there are 3 sheets for each passage a student page that includes a skill to focus on a teacher page that has the passage for a running record and a rubric for grading a full

**results for running records 1st grade tpt** - Jun 18 2022

web apr 30 2023 a running record is a technique for capturing and recording oral reading behaviors what a reader says and does using a system for coding the reader s

**about running records reading a z** - Nov 23 2022

web on raz plus with our online running record tool raz plus or raz kids members can assign a benchmark book from levels aa j assign a benchmark passage from levels

*running records mrs judy araujo m ed cags reading* - Feb 12 2022

[running records definition examples study com](#) - Mar 16 2022

web this packet contains the following running record for story in workshop book worksheet for story in workshop book to sort vowel sounds flashcards for new words in sto

[running records downloads maryruth books](#) - Jan 14 2022

*running records department of education and training* - Jan 26 2023

web feb 8 2022 993 shares running records template and assessment examples and free file learn how to complete the

running record assessment form learn why running

**marking a running record reading a z** - Feb 24 2023

web score a printed running record as a student reads aloud for quantitative measures learn more about running records on raz plus find students reading ability by assessing

*running records first grade teaching resources tpt* - Mar 28 2023

web part 1 listen to record reading behavior running records allow you to assess reading behavior as students read from developmentally appropriate texts they are

**scoring and analyzing a running record reading a z** - Jul 20 2022

web dec 21 2021 a reading running record definition is a formative assessment measuring a student s oral reading strengths weaknesses and comprehension teachers use

results for first grade running records tpt - Nov 11 2021

**running records reading assessment teachervision** - Jun 30 2023

web running records first grade collection by bigtime literacy 4 8 78 4 00 zip now updated the running records now include page numbers space to record errors self

*taking running records the unofficial guide shared teaching* - Apr 16 2022

web a running record is also an important way to identify and address any possible developmental delays or learning challenges and they are always shared with parents

**running record passages level tpt** - May 18 2022

web free downloadable running records for individual maryruth books titles mrb running records coordinate with our leveled books to assist teachers in improving their students

**what are running records weareteachers** - Sep 02 2023

web benchmark passages running records target students instructional needs by assessing their reading skills with developmentally appropriate texts while recording