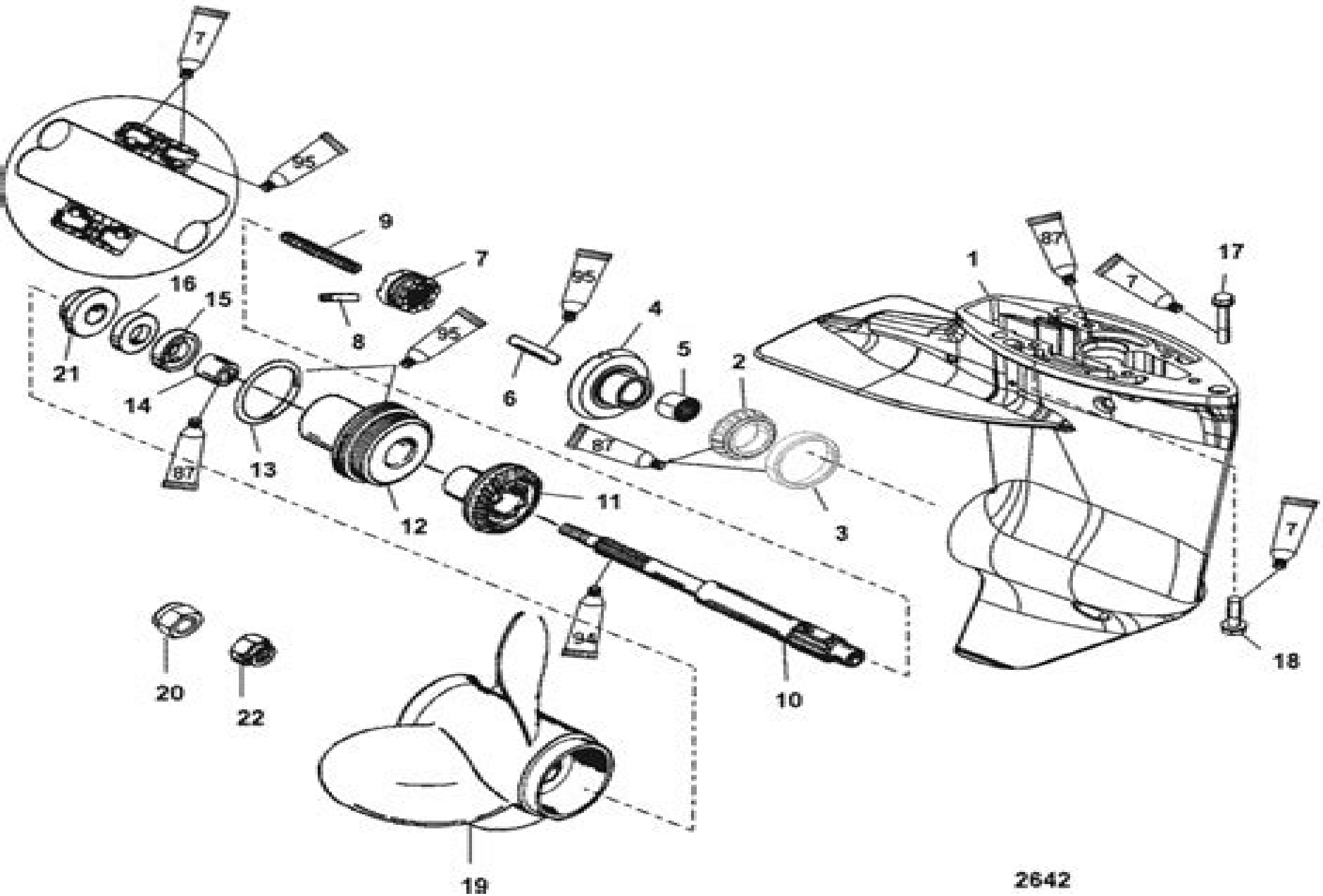


**2.60 IN./102 MM
TORPEDO DIA.
NON-BIGFOOT**



Sea King Parts List

Clemens Wendtner



Sea King Parts List:

Discover tales of courage and bravery in is empowering ebook, Unleash Courage in **Sea King Parts List** . In a downloadable PDF format (PDF Size: *), this collection inspires and motivates. Download now to witness the indomitable spirit of those who dared to be brave.

https://crm.avenza.com/data/detail/fetch.php/sedibeng_college_nmathematics.pdf

Table of Contents Sea King Parts List

1. Understanding the eBook Sea King Parts List
 - The Rise of Digital Reading Sea King Parts List
 - Advantages of eBooks Over Traditional Books
2. Identifying Sea King Parts List
 - Exploring Different Genres
 - Considering Fiction vs. Non-Fiction
 - Determining Your Reading Goals
3. Choosing the Right eBook Platform
 - Popular eBook Platforms
 - Features to Look for in an Sea King Parts List
 - User-Friendly Interface
4. Exploring eBook Recommendations from Sea King Parts List
 - Personalized Recommendations
 - Sea King Parts List User Reviews and Ratings
 - Sea King Parts List and Bestseller Lists
5. Accessing Sea King Parts List Free and Paid eBooks
 - Sea King Parts List Public Domain eBooks
 - Sea King Parts List eBook Subscription Services
 - Sea King Parts List Budget-Friendly Options
6. Navigating Sea King Parts List eBook Formats

- ePub, PDF, MOBI, and More
 - Sea King Parts List Compatibility with Devices
 - Sea King Parts List Enhanced eBook Features
7. Enhancing Your Reading Experience
 - Adjustable Fonts and Text Sizes of Sea King Parts List
 - Highlighting and Note-Taking Sea King Parts List
 - Interactive Elements Sea King Parts List
 8. Staying Engaged with Sea King Parts List
 - Joining Online Reading Communities
 - Participating in Virtual Book Clubs
 - Following Authors and Publishers Sea King Parts List
 9. Balancing eBooks and Physical Books Sea King Parts List
 - Benefits of a Digital Library
 - Creating a Diverse Reading Collection Sea King Parts List
 10. Overcoming Reading Challenges
 - Dealing with Digital Eye Strain
 - Minimizing Distractions
 - Managing Screen Time
 11. Cultivating a Reading Routine Sea King Parts List
 - Setting Reading Goals Sea King Parts List
 - Carving Out Dedicated Reading Time
 12. Sourcing Reliable Information of Sea King Parts List
 - Fact-Checking eBook Content of Sea King Parts List
 - Distinguishing Credible Sources
 13. Promoting Lifelong Learning
 - Utilizing eBooks for Skill Development
 - Exploring Educational eBooks
 14. Embracing eBook Trends
 - Integration of Multimedia Elements
 - Interactive and Gamified eBooks

Sea King Parts List Introduction

In this digital age, the convenience of accessing information at our fingertips has become a necessity. Whether its research papers, eBooks, or user manuals, PDF files have become the preferred format for sharing and reading documents. However, the cost associated with purchasing PDF files can sometimes be a barrier for many individuals and organizations. Thankfully, there are numerous websites and platforms that allow users to download free PDF files legally. In this article, we will explore some of the best platforms to download free PDFs. One of the most popular platforms to download free PDF files is Project Gutenberg. This online library offers over 60,000 free eBooks that are in the public domain. From classic literature to historical documents, Project Gutenberg provides a wide range of PDF files that can be downloaded and enjoyed on various devices. The website is user-friendly and allows users to search for specific titles or browse through different categories. Another reliable platform for downloading Sea King Parts List free PDF files is Open Library. With its vast collection of over 1 million eBooks, Open Library has something for every reader. The website offers a seamless experience by providing options to borrow or download PDF files. Users simply need to create a free account to access this treasure trove of knowledge. Open Library also allows users to contribute by uploading and sharing their own PDF files, making it a collaborative platform for book enthusiasts. For those interested in academic resources, there are websites dedicated to providing free PDFs of research papers and scientific articles. One such website is Academia.edu, which allows researchers and scholars to share their work with a global audience. Users can download PDF files of research papers, theses, and dissertations covering a wide range of subjects. Academia.edu also provides a platform for discussions and networking within the academic community. When it comes to downloading Sea King Parts List free PDF files of magazines, brochures, and catalogs, Issuu is a popular choice. This digital publishing platform hosts a vast collection of publications from around the world. Users can search for specific titles or explore various categories and genres. Issuu offers a seamless reading experience with its user-friendly interface and allows users to download PDF files for offline reading. Apart from dedicated platforms, search engines also play a crucial role in finding free PDF files. Google, for instance, has an advanced search feature that allows users to filter results by file type. By specifying the file type as "PDF," users can find websites that offer free PDF downloads on a specific topic. While downloading Sea King Parts List free PDF files is convenient, its important to note that copyright laws must be respected. Always ensure that the PDF files you download are legally available for free. Many authors and publishers voluntarily provide free PDF versions of their work, but its essential to be cautious and verify the authenticity of the source before downloading Sea King Parts List. In conclusion, the internet offers numerous platforms and websites that allow users to download free PDF files legally. Whether its classic literature, research papers, or magazines, there is something for everyone. The platforms mentioned in this article, such as Project Gutenberg, Open Library, Academia.edu, and Issuu, provide access to a vast collection of PDF files. However, users should always be cautious and verify the legality of the source

before downloading Sea King Parts List any PDF files. With these platforms, the world of PDF downloads is just a click away.

FAQs About Sea King Parts List Books

How do I know which eBook platform is the best for me? Finding the best eBook platform depends on your reading preferences and device compatibility. Research different platforms, read user reviews, and explore their features before making a choice. Are free eBooks of good quality? Yes, many reputable platforms offer high-quality free eBooks, including classics and public domain works. However, make sure to verify the source to ensure the eBook credibility. Can I read eBooks without an eReader? Absolutely! Most eBook platforms offer web-based readers or mobile apps that allow you to read eBooks on your computer, tablet, or smartphone. How do I avoid digital eye strain while reading eBooks? To prevent digital eye strain, take regular breaks, adjust the font size and background color, and ensure proper lighting while reading eBooks. What the advantage of interactive eBooks? Interactive eBooks incorporate multimedia elements, quizzes, and activities, enhancing the reader engagement and providing a more immersive learning experience. Sea King Parts List is one of the best book in our library for free trial. We provide copy of Sea King Parts List in digital format, so the resources that you find are reliable. There are also many Ebooks of related with Sea King Parts List. Where to download Sea King Parts List online for free? Are you looking for Sea King Parts List PDF? This is definitely going to save you time and cash in something you should think about.

Find Sea King Parts List :

[sedibeng college nmathematics](#)

section 3 reinforcement transition elements paper answers

section 9 1 continental drift worksheet answers

see jayne play the jayne series book english edition

section 3 holocaust answers reteaching activity

[seducing the chaperone a regency erotica](#)

selection and part tests unit two macbeth

section mixed review answer key

selection test the tragedy of julius caesar act 2

section 6 running water worksheet

section 3 reinforcement word find

section 5 multicellular life study guide a answers

selected correspondence 1921949

section 4 guided presidential nominations answers

~~security guard training quiz~~

Sea King Parts List :

cbse academics unit curriculum syllabus - Jun 02 2022

web cbse academics unit curriculum syllabus curriculum of skill subjects for the academic session 2022 23

cbse class 9 french syllabus studiestoday - Jan 09 2023

web the latest cbse syllabus has been used to design ncert book for class 9 french based on which exams for class 9 french will be conducted refer to mcq questions for class 9 french with answers and also download more latest study material for all subjects french class 9 cbse syllabus

cbse class 9 syllabus of french 2020 21 download in pdf - Mar 11 2023

web apr 7 2020 cbse class 9 french syllabus download the latest syllabus of class 9 french which is released by cbse for the new academic session 2020 21 here

cbse class 9 french syllabus 2021 2022 pdf jagran josh - Feb 10 2023

web may 19 2021 cbse class 9 french syllabus for the new academic session 2021 2022 is available here in pdf format check the latest course structure and examination pattern to perform well in cbse class

french code 018 class ix term wise - Aug 16 2023

web french code 018 class ix term wise rationalised syllabus 2021 2022 term i term i mcq 50 weightage 50 marks section a comprehension reading 5 unseen passage s picture based text section b

cbse french syllabus class 9 - Apr 12 2023

web cbse french syllabus class 9 frenchfaster 2013 page 1of 1 a exam description sec components details question type marks marks a reading

cbse class 9 french syllabus 2021 22 aglasem docs - Sep 05 2022

web dec 16 2022 the full form of cbse is central board of secondary education established in the year 1929 the cbse board looks after all schooling teaching and exams of its affiliated schools class 10 class 11 class 12 class 6 class 7 class 8 class 9 ctet

cbse french syllabus class 9 batch 2022 23 youtube - Jan 29 2022

web bonjour in today s video we have discussed the french syllabus of cbse class 9th for the batch 2022 23 there are few things in writing skills that we need

[cbse class 9 french revised syllabus 2021 22 term 1 and - Jul 15 2023](#)

web oct 29 2021 cbse class 9 french revised syllabus 2021 2022 pdf check this syllabus to prepare the right content for term 1 and term 2 exams cbse class 9th french syllabus 2021 2022 for terms 1 and

[classes 9 10 french 2022 2023 syllabus - Jun 14 2023](#)

web title classes 9 10 french 2022 2023 syllabus docx author rimjhim created date 4 2 2023 8 44 03 pm

[cbse syllabus for class 9 all subjects 2023 24 byju s - Mar 31 2022](#)

web cbse class 9 syllabus 2023 24 pdf download cbse syllabus for class 9 for the academic session 2023 24 is released by the board here students will find the cbse class 9 syllabus for 2023 24 class 9 plays an important in building a strong foundation for the higher classes

cbse syllabus for class 9 french 2020 2021 pdf download - Aug 04 2022

web strategies to score good marks in cbse class 9 french 2020 2021 to score a good mark in the cbse class 9 french 2020 2021 students need to follow a strategic plan those strategies are first and foremost step is to go through the cbse syllabus for class 9 french 2020 2021 through the syllabus students can get a brief about all the chapters

cbse class 9 french syllabus 2023 24 pdf download here - Sep 17 2023

web apr 5 2023 cbse class 9 french syllabus 2023 24 has been released you can now download the cbse class 9th french syllabus pdf from here on aglasem the central board of secondary education has published the cbse class 9 syllabus for french subject it includes all topics to study in 9th standard from ncert book of french

cbse class 9 syllabus 2023 24 all subjects pdf jagran josh - May 01 2022

web sep 18 2023 cbse class 9 punjabi syllabus 2023 24 download here cbse class 9 french syllabus 2023 24 download here cbse class 9 german syllabus 2023 24 download here cbse

french for class 9 books notes tests 2023 2024 syllabus - Feb 27 2022

web full syllabus lectures tests to study french for class 9 cbse docs mcqs with solution ncert solutions short long questions class 9 best strategy to prepare for french for class 9 cbse docs mcqs with solution ncert solutions short long questions free course for class 9 exam

cbse class 9th french syllabus 2021 22 download revised - Dec 08 2022

web jan 14 2022 check cbse class 9th french term 2 syllabus 2021 22 to know the content to be prepared for the upcoming cbse class 9 term 2 exam 2022 this revised syllabus is a perfect tool to plan your exam

cbse syllabus for class 9 french 2021 cbse study group - Jul 03 2022

web get here new reduced cbse syllabus 2021 for class 9 french as you all know that this year cbse syllabus has been revised due to ongoing pandemic situation thus its very important to check latest cbse reduced syllabus for class 9 to perform well for your upcoming annual board exams

cbse class 9 french syllabus 2023 24 pdf download new - May 13 2023

web may 15 2023 download cbse class 9 french syllabus 2023 24 in pdf here check new syllabus to know latest course structure section wise topics marking scheme and exam pattern

b writing section 20 marks one long composition informal - Oct 06 2022

web french code 018 class ix 2022 2023 time 3 hours m marks 80 20 a reading section 10 marks one unseen prose passage factual descriptive 150 words with a picture diagrammatically represented data

cbse syllabus of class 9 french 2022 23 mycbseguide - Nov 07 2022

web the syllabus for cbse class 9 french is published by cbse nic in central board of secondary education head office in new delhi the latest syllabus for class 9 french includes list of topics and chapters in french cbse question papers are designed as per the syllabus prescribed for current session download cbse syllabus class 3 to 12 in

top notch 1b workbook answer key third edition pdf - Feb 08 2023

web 1 have to 2 have to 3 has to 4 have to 5 has to 1 athletic field 2 gym 3 court course 4 pool 6 have to 7 have to 5 track exercise 6 exercise 11 answers will vary following

top notch 1 second edition answer key to just for - Aug 02 2022

web workbook answers unit 1 workbook answer key 1 please call me beth exercise 1 answers will vary exercise 2 2 a what s your teacher s first 105 5 569kb read more

top notch 1 workbook answers unit 6 pdf sports scribd - Jun 12 2023

web 1 have to 2 have to 3 has to 4 have to 5 has to 6 he s taking a shower now 6 have to 7 have to 7 they drive to work at least once a week

workbook answer key unit 1 topnotch - Dec 26 2021

web top notch 3 third edition unit 1 note in communicative exercises where several answers are possible this answer key contains some examples of correct answers not all

download top notch 1 3 edicion workbook answer key doku - Sep 03 2022

web download top notch 1 3 edicion workbook answer key type pdf date april 2023 size 568 5kb author luis lopez this document was uploaded by user and they

top notch 1 answers workbook documents and e books - Mar 09 2023

web workbook answer key unit 8 exercise 1 1 d 2 f 3 a 4 c 5 b 6 e exercise 2 1 service 2 price 3 selection exercise 3 1 a shirt

2 a blazer 3 a skirt 4 pantyhose 5 pumps 6 a
top notch 1 1 pdf scribd - May 11 2023

web workbook answer key unit 1 note in communicative exercises where several answers are possible this answer key contains some examples of correct answers not all

top notch 1 workbook answers unit 6 vsip info - Jul 01 2022

web top notch 1 second edition unit 10 workbook answer key unit 10 exercise 1 1 d 2 e 3 f 4 b 5 c 6 a exercise 2 1 c 2 e 3 a 4 f 5 b 6 d exercise 3 answers will vary

workbook answer key unit 1 topnotch - Apr 29 2022

web top notch workbook fundamentals top notch is a dynamic six level course for international communication with the flexibility to fit any teaching situation top notch

answer key workbook top notch 1 studocu - Jul 13 2023

web top notch 1 workbook answer key workbook answer key note in communicative exercises where several answers are possible this answer key contains some examples

top notch 1 3 edicion workbook answer key pdf - Aug 14 2023

web note in communicative exercises where several answers are possible this answer key contains some examples of correct answers not all possible answers any valid

workbook answer key unit 1 top notch 2 second - Feb 25 2022

web top notch 2 second edition unit 1 note in some communicative exercises where several answers are possible this answer key contains some examples of correct

top notch 1a workbook answer key third edition pdf scribd - Jan 07 2023

web top notch 1a workbook answer key third edition free download as pdf file pdf text file txt or read online for free top notch 1a workbook answer key third edition

unit 10 workbook ak pdf scribd - May 31 2022

web top notch 3 second edition unit 1 correct answers not all possible answers any valid answer in this type of exercise should be considered acceptable exercise 1 1

top notch 3 workbook answer key top notch 3 third edition - Nov 24 2021

top notch 1 3 edicion workbook answer key tuxdoc com - Nov 05 2022

web jan 22 2023 top notch 1 3 edicion workbook answer key january 22 2023 author anonymous category n a report this link download pdf share

top notch 1 answers workbook compress studocu - Apr 10 2023

web top notch 1 second edition unit 8 workbook answer key unit 8 exercise 1 1 d 2 f 3 a 4 c 5 b 6 e exercise 2 1 service 2 price 3 selection exercise 3 1 a shirt 2 a blazer

top notch fundamentals workbook pdf 5d4lv59c08g0 e - Mar 29 2022

web top notch 1 second edition answer key to just for fun top notch 1 second edition answer key to just for fun top notch 1 second edition answer key to just for

top notch 3a workbook answer key third edition studocu - Oct 24 2021**top notch 1 second edition pdf txt pdfcookie** - Jan 27 2022

web top notch 3 third edition unit 5 exercise 5 possible answers 1 she told the cat to get out 2 open your mouth the dentist told the patient to open his mouth 3 clean this

tp 02 unit 01 workbook ak workbook answer key unit 1 top - Oct 04 2022

web workbook answer key unit 1 top notch 2 second edition unit 1 copyright 2011 by pearson education inc permission granted to reproduce for classroom use exercise 1

top notch 1 assessment answer key r2r3eg617n26 - Dec 06 2022

web top notch 1 assessment answer key r2r3eg617n26 general test answer key unit 1 general test 23 b 1 b 24 a 2 a 25 true 3 c 26 false 4 b 27 true 5 a 28 what s 6

my stroke of luck by kirk douglas goodreads - Aug 21 2023

web jan 8 2002 kirk douglas 3 71 310 ratings 62 reviews in 1995 kirk douglas suffered a debilitating stroke that changed his life in this vivid and very personal reflection upon his extraordinary life as an actor author and legend in his own time douglas offers a candid and heartfelt memoir of where it all went right in his life even after the stroke

my stroke of luckppt - Jan 02 2022

web my stroke of luckppt f have luck good luck best of luck good bad hard tough luck be in out of luck try chance your luck stroke of luck lucky you me a lucky dog thank your lucky star some people have all the luck enlarge your understanding your definition of love may be too

my stroke of luck kirk douglas google books - Feb 15 2023

web jan 7 2003 my stroke of luck user review kirkus with high humor though fighting waves of depression douglas tells of his recovery from a stroke this is douglas s eighth book the best being his autobiography the ragman s son 1988 and his

115 words and phrases for stroke of luck power thesaurus - Sep 10 2022

web another way to say stroke of luck synonyms for stroke of luck other words and phrases for stroke of luck

my stroke of luck douglas kirk 1916 free download borrow - Apr 17 2023

web internet archive language english the actor shares his story of survival after a debilitating stroke in 1995 which changed his life and taught him valuable lessons and provides anecdotes from other famous figures who have triumphed over adversity

my stroke of luck by kirk douglas publishers weekly - Jun 19 2023

web my stroke of luck kirk douglas morrow 22 95 208pp isbn 978 0 06 000929 8 one of hollywood s brightest stars since the late 1940s champion lust for life spartacus douglas embarked

[a stroke of luck idioms by the free dictionary](#) - Jul 20 2023

web fig a bit of luck a lucky happening i had a stroke of luck and found tom at home when i called he s not usually there unless i have a stroke of luck i m not going to finish this report by tomorrow

pdf read online my stroke of luck ВКонтакте - Jun 07 2022

web click here to read download the book my stroke of luck in 1995 kirk douglas suffered a debilitating stroke that changed his life in this vivid and very personal reflection upon his extraordinary life as an actor author and legend in his own time douglas offers a candid and heartfelt memoir of where it all went right in his life

a stroke of luck rotten tomatoes - Mar 04 2022

web the gold season 1 the super models season 1 the continental from the world of john wick season 1 american horror story season 12 sex education season 4 still up season 1 becoming

pdf download my stroke of luck yumpu - May 06 2022

web feb 27 2021 info my stroke of luck copy the link to get the book visit link read book download 2021 s blogspot com servers1 0060014040 in 1995 kirk douglas suffered a debilitating stroke that changed his life

my stroke of luck paperback 5 feb 2009 amazon co uk - Oct 11 2022

web my stroke of luck amazon co uk kirk douglas 9780749940362 books arts photography performing arts individual directors buy new 9 99 free returns free delivery thursday march 23 on your first eligible order to uk or ireland details or fastest delivery tomorrow march 21 order within 6 hrs 39 mins details select delivery location

my stroke of luck by kirk douglas national aphasia association - Mar 16 2023

web from amazon com in this vivid and very personal reflection upon his extraordinary life as an actor author and legend in his own time kirk douglas offers a candid and heartfelt memoir of where it all went right in his life even after suffering a debilitating stroke

my stroke of luck the marsh - Apr 05 2022

web sep 23 2017 my stroke of luck is more than a story about a doctor who has a stroke and her path to recovery it s a story

about identity being a single mom of a special needs child being a doctor who becomes a patient having brilliance reduced to a handicap courage loss pain and ultimate triumph

[my stroke of luck shirley ryan abilitylab](#) - Dec 13 2022

web feb 15 2023 kirk douglas offers a candid and heartfelt memoir of where it all went right in his life even after suffering a debilitating stroke revealing not only the incredible physical and emotional toll of his stroke but how it has changed his life for the better douglas shares the lessons that saved him and helped him to heal

my stroke of luck by kirk douglas phdessay com - Jul 08 2022

web feb 10 2023 my stroke of luck by kirk douglas is a memoir of a famous actor film producer and author s personal story before and after a debilitating stroke that he suffered at the age of 80 within this book douglas describes the symptoms he experienced when having the stroke which included a painful sensation in his right cheek followed by an

stroke of luck 2022 imdb - Feb 03 2022

web jan 11 2022 stroke of luck directed by christian frelinghuysen with kyle derosiers sara ball john popper patrick lescarbeau young nathan has pulled a damaging prank at his school in the city and is sent to his father s farm to work it off but nathan finds much more than he bargained for when he gets there including sarah a very charming

[my stroke of luck by kirk douglas paperback barnes noble](#) - Nov 12 2022

web jan 7 2003 in 1995 kirk douglas suffered a debilitating stroke that changed his life in this vivid and very personal reflection upon his extraordinary life as an actor author and legend in his own time douglas offers a candid and heartfelt memoir of where it all went right in his life even after the stroke

my stroke of luck amazon com - May 18 2023

web jan 1 2003 in 1995 kirk douglas suffered a debilitating stroke that changed his life in this vivid and very personal reflection upon his extraordinary life as an actor author and legend in his own time douglas offers a candid and heartfelt memoir of where it all went right in his life even after the stroke

[my stroke of luck douglas kirk 9780060009298 amazon com](#) - Jan 14 2023

web jan 1 2002 charming soulful and filled with personal photographs my stroke of luck is an intimate look at the real person behind the fabulous talent and at a life lived to its very fullest

my stroke of luck the new york times - Aug 09 2022

web may 13 2013 my stroke of luck the times s andrew c revkin speaks about his experience of having a stroke as well as warning signs to watch out for by jeffery delviscio pedro rafael rosado robin lindsay kriston lewis and abe sater on may 13 2013 a stroke in 2011 landed the writer in the hospital