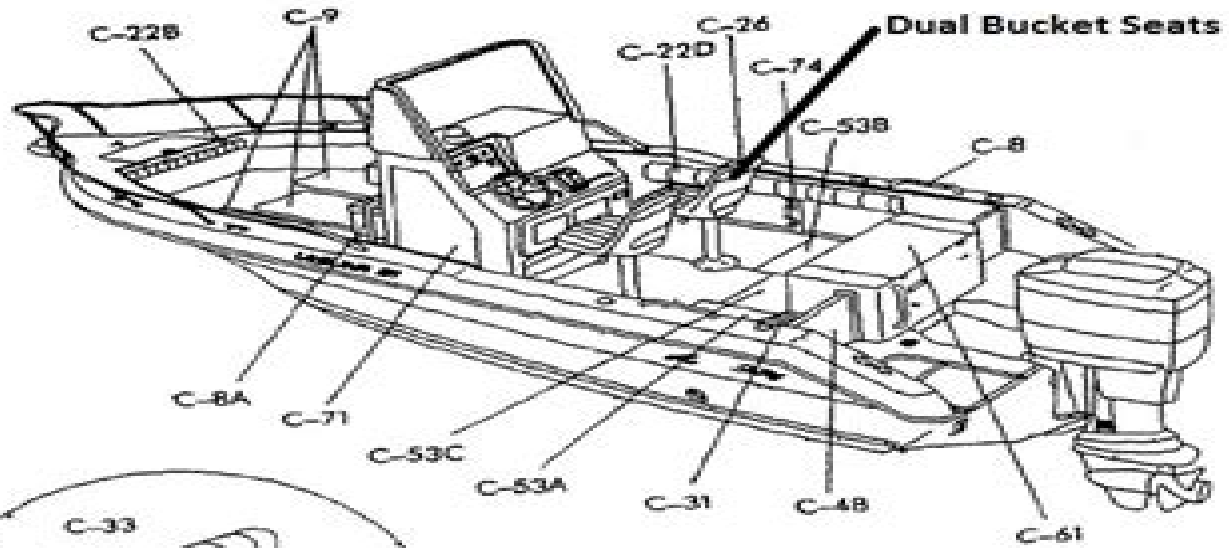


COCKPIT

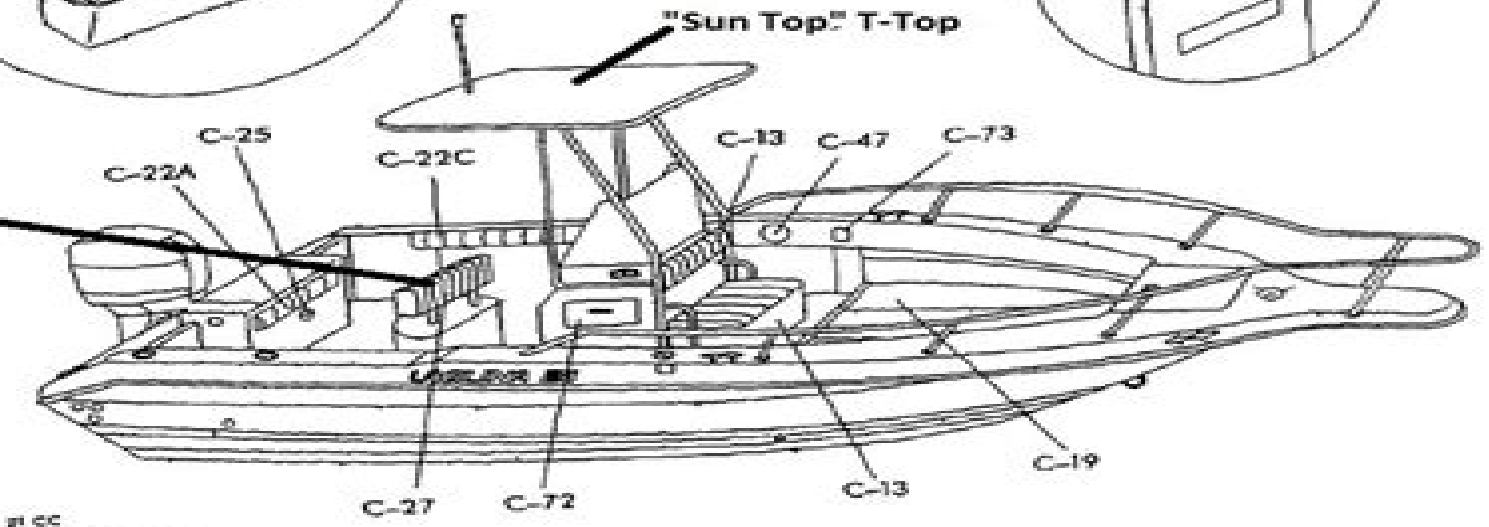


Dual Bucket Seats

Flip/Flop (reversible pilot) Seat

"Sun Top" T-Top

Leaning Post



# Sea Ray Parts Manual

**Christian Drosten**



## Sea Ray Parts Manual:

**Technical Manual** United States. War Department,1944     Monthly Catalogue, United States Public Documents ,1994  
**Catalogue** Bailey Brothers,1887     **Monthly Catalog of United States Government Publications** ,2000  
**Michigan Manufacturers Directory** ,1989     **Report** Royal Scottish Museum,1909     Boating ,1983-01     *Catalog of Copyright Entries. Third Series* Library of Congress. Copyright Office,1956 Includes Part 1 Number 2 Books and Pamphlets Including Serials and Contributions to Periodicals July December     Monthly Catalog of United States Government Publications United States. Superintendent of Documents,1983 February issue includes Appendix entitled Directory of United States Government periodicals and subscription publications September issue includes List of depository libraries June and December issues include semiannual index     **Catalogue** Bernard Quaritch (Firm),1896     Catalogue of Copyright Entries ,1954     **Catalogue of the Reference Library** Paisley Free Public Library and Museum. Reference Library,1872     A Manual of Elementary Instruction Edward Austin Sheldon,M. E. M. Jones,Hermann Krüsi,1870  
Catalogue of Books John Taylor,1878     **A Manual of Elementary Instruction, for ...** Edward Austin Sheldon,1875  
Moody's Industrial Manual ,1996 Covering New York American regional stock exchanges international companies     Air Force Manual United States. Department of the Air Force,1953     **English Mechanic and Mirror of Science** ,1877  
**English Mechanic and World of Science** ,1897     **Bibliography of Scientific and Industrial Reports** ,1947

## Reviewing **Sea Ray Parts Manual**: Unlocking the Spellbinding Force of Linguistics

In a fast-paced world fueled by information and interconnectivity, the spellbinding force of linguistics has acquired newfound prominence. Its capacity to evoke emotions, stimulate contemplation, and stimulate metamorphosis is actually astonishing. Within the pages of "**Sea Ray Parts Manual**," an enthralling opus penned by a highly acclaimed wordsmith, readers set about an immersive expedition to unravel the intricate significance of language and its indelible imprint on our lives. Throughout this assessment, we shall delve to the book is central motifs, appraise its distinctive narrative style, and gauge its overarching influence on the minds of its readers.

[https://crm.avenza.com/data/detail/Documents/Pioneer\\_Vsx\\_23\\_Manual.pdf](https://crm.avenza.com/data/detail/Documents/Pioneer_Vsx_23_Manual.pdf)

### **Table of Contents Sea Ray Parts Manual**

1. Understanding the eBook Sea Ray Parts Manual
  - The Rise of Digital Reading Sea Ray Parts Manual
  - Advantages of eBooks Over Traditional Books
2. Identifying Sea Ray Parts Manual
  - Exploring Different Genres
  - Considering Fiction vs. Non-Fiction
  - Determining Your Reading Goals
3. Choosing the Right eBook Platform
  - Popular eBook Platforms
  - Features to Look for in an Sea Ray Parts Manual
  - User-Friendly Interface
4. Exploring eBook Recommendations from Sea Ray Parts Manual
  - Personalized Recommendations
  - Sea Ray Parts Manual User Reviews and Ratings
  - Sea Ray Parts Manual and Bestseller Lists

5. Accessing Sea Ray Parts Manual Free and Paid eBooks
  - Sea Ray Parts Manual Public Domain eBooks
  - Sea Ray Parts Manual eBook Subscription Services
  - Sea Ray Parts Manual Budget-Friendly Options
6. Navigating Sea Ray Parts Manual eBook Formats
  - ePub, PDF, MOBI, and More
  - Sea Ray Parts Manual Compatibility with Devices
  - Sea Ray Parts Manual Enhanced eBook Features
7. Enhancing Your Reading Experience
  - Adjustable Fonts and Text Sizes of Sea Ray Parts Manual
  - Highlighting and Note-Taking Sea Ray Parts Manual
  - Interactive Elements Sea Ray Parts Manual
8. Staying Engaged with Sea Ray Parts Manual
  - Joining Online Reading Communities
  - Participating in Virtual Book Clubs
  - Following Authors and Publishers Sea Ray Parts Manual
9. Balancing eBooks and Physical Books Sea Ray Parts Manual
  - Benefits of a Digital Library
  - Creating a Diverse Reading Collection Sea Ray Parts Manual
10. Overcoming Reading Challenges
  - Dealing with Digital Eye Strain
  - Minimizing Distractions
  - Managing Screen Time
11. Cultivating a Reading Routine Sea Ray Parts Manual
  - Setting Reading Goals Sea Ray Parts Manual
  - Carving Out Dedicated Reading Time
12. Sourcing Reliable Information of Sea Ray Parts Manual
  - Fact-Checking eBook Content of Sea Ray Parts Manual
  - Distinguishing Credible Sources
13. Promoting Lifelong Learning

- Utilizing eBooks for Skill Development
  - Exploring Educational eBooks
14. Embracing eBook Trends
- Integration of Multimedia Elements
  - Interactive and Gamified eBooks

### **Sea Ray Parts Manual Introduction**

In the digital age, access to information has become easier than ever before. The ability to download Sea Ray Parts Manual has revolutionized the way we consume written content. Whether you are a student looking for course material, an avid reader searching for your next favorite book, or a professional seeking research papers, the option to download Sea Ray Parts Manual has opened up a world of possibilities. Downloading Sea Ray Parts Manual provides numerous advantages over physical copies of books and documents. Firstly, it is incredibly convenient. Gone are the days of carrying around heavy textbooks or bulky folders filled with papers. With the click of a button, you can gain immediate access to valuable resources on any device. This convenience allows for efficient studying, researching, and reading on the go. Moreover, the cost-effective nature of downloading Sea Ray Parts Manual has democratized knowledge. Traditional books and academic journals can be expensive, making it difficult for individuals with limited financial resources to access information. By offering free PDF downloads, publishers and authors are enabling a wider audience to benefit from their work. This inclusivity promotes equal opportunities for learning and personal growth. There are numerous websites and platforms where individuals can download Sea Ray Parts Manual. These websites range from academic databases offering research papers and journals to online libraries with an expansive collection of books from various genres. Many authors and publishers also upload their work to specific websites, granting readers access to their content without any charge. These platforms not only provide access to existing literature but also serve as an excellent platform for undiscovered authors to share their work with the world. However, it is essential to be cautious while downloading Sea Ray Parts Manual. Some websites may offer pirated or illegally obtained copies of copyrighted material. Engaging in such activities not only violates copyright laws but also undermines the efforts of authors, publishers, and researchers. To ensure ethical downloading, it is advisable to utilize reputable websites that prioritize the legal distribution of content. When downloading Sea Ray Parts Manual, users should also consider the potential security risks associated with online platforms. Malicious actors may exploit vulnerabilities in unprotected websites to distribute malware or steal personal information. To protect themselves, individuals should ensure their devices have reliable antivirus software installed and validate the legitimacy of the websites they are downloading from. In conclusion, the ability to download Sea Ray Parts Manual has transformed the way we access information. With the

convenience, cost-effectiveness, and accessibility it offers, free PDF downloads have become a popular choice for students, researchers, and book lovers worldwide. However, it is crucial to engage in ethical downloading practices and prioritize personal security when utilizing online platforms. By doing so, individuals can make the most of the vast array of free PDF resources available and embark on a journey of continuous learning and intellectual growth.

### FAQs About Sea Ray Parts Manual Books

**What is a Sea Ray Parts Manual PDF?** A PDF (Portable Document Format) is a file format developed by Adobe that preserves the layout and formatting of a document, regardless of the software, hardware, or operating system used to view or print it. **How do I create a Sea Ray Parts Manual PDF?** There are several ways to create a PDF: Use software like Adobe Acrobat, Microsoft Word, or Google Docs, which often have built-in PDF creation tools. Print to PDF: Many applications and operating systems have a "Print to PDF" option that allows you to save a document as a PDF file instead of printing it on paper. Online converters: There are various online tools that can convert different file types to PDF. **How do I edit a Sea Ray Parts Manual PDF?** Editing a PDF can be done with software like Adobe Acrobat, which allows direct editing of text, images, and other elements within the PDF. Some free tools, like PDFescape or Smallpdf, also offer basic editing capabilities. **How do I convert a Sea Ray Parts Manual PDF to another file format?** There are multiple ways to convert a PDF to another format: Use online converters like Smallpdf, Zamzar, or Adobe Acrobats export feature to convert PDFs to formats like Word, Excel, JPEG, etc. Software like Adobe Acrobat, Microsoft Word, or other PDF editors may have options to export or save PDFs in different formats. **How do I password-protect a Sea Ray Parts Manual PDF?** Most PDF editing software allows you to add password protection. In Adobe Acrobat, for instance, you can go to "File" -> "Properties" -> "Security" to set a password to restrict access or editing capabilities. Are there any free alternatives to Adobe Acrobat for working with PDFs? Yes, there are many free alternatives for working with PDFs, such as: LibreOffice: Offers PDF editing features. PDFsam: Allows splitting, merging, and editing PDFs. Foxit Reader: Provides basic PDF viewing and editing capabilities. How do I compress a PDF file? You can use online tools like Smallpdf, ILovePDF, or desktop software like Adobe Acrobat to compress PDF files without significant quality loss. Compression reduces the file size, making it easier to share and download. Can I fill out forms in a PDF file? Yes, most PDF viewers/editors like Adobe Acrobat, Preview (on Mac), or various online tools allow you to fill out forms in PDF files by selecting text fields and entering information. Are there any restrictions when working with PDFs? Some PDFs might have restrictions set by their creator, such as password protection, editing restrictions, or print restrictions. Breaking these restrictions might require specific software or tools, which may or may not be legal depending on the circumstances and local laws.

**Find Sea Ray Parts Manual :**

**pioneer vsx 23 manual**

[pioneer stereo wiring diagram deh 1400](#)

**pipefitters steamfitters study guide**

**pinball wizard parts manual**

[pioneer vsx 60 manual](#)

**pictures on graph paper using equations**

*pie crust recipe using lard*

*pioneer sx lx70sw multi channel receiver service manual*

[pioneer deh 18manual](#)

**pioneer air dryer manual**

*piezas para motor gx390*

*piknik na obochine arkady strugatski en boris strugatski*

**pink pig ears template**

[pioneer plasma display user manual](#)

[pioneer mosfet 50wx4 mp3 manual](#)

**Sea Ray Parts Manual :**

**homophones nonsense passage to convert worksheet ks2** - Mar 31 2023

web task 1 the challenge for the children to first find the incorrect homophones and convert them into the correct homophones secondly the children will write the proper version using the correct homophones in their exercise book a dictionary could be used here

**mnemonics relieves homophone misuse jstor** - Feb 15 2022

web tion of a homophone reference book my students knew the majority of homophone meanings the problem was spelling the correct one in a given situation they needed a synonym or mnemonic device to trigger recall of which one to use from this emerged the idea of constructing an easy to use reference book compiling lists of homophones

**homophones word choice worksheets language arts activities** - Jul 23 2022

web here are 25 practice problems on homophones this homophone worksheet is themed around ninjas which students seem to enjoy students read each example and choose the word that best completes the sentence then they practice using tricky



homophones in their own sentences

[the ultimate guide to homophones grammarly blog](#) - Feb 27 2023

web apr 27 2021 when you re learning a new language homophones can be tricky they can even be confusing if you re a primary speaker of a language especially when you re writing read on to learn more about homophones commonly confused homophones and how to be a homophone pro

**homophone worksheets teach nology com** - Sep 24 2022

web free teacher worksheets homophone worksheets homophones are words that sound the same but have vastly different meanings usually the words are spelled differently as well early on students start using different forms of the words and should be corrected to help them develop

[homophones dictation teachingenglish british council](#) - Jun 02 2023

web procedure choose from 8 to 10 homophones to dictate tell your students you are going to say about 10 words and for them to write them down ask students to stay silent while you dictate and not to check with a partner dictate each word clearly and allow students time to

**how to recognize and properly use homophones in english** - Dec 28 2022

web aug 3 2017 1 constantly expand your vocabulary to learn more homophones by the day you have to be keen on learning new words and enriching your english vocabulary on a daily basis essentially the more homophones you know the easier it becomes for you to discern what homophone is being used at any given moment and the meaning behind it

[mr nussbaum using common homophones in a paragraph](#) - Jun 21 2022

web presidents activities revolutionary war people rosa parks scavenger hunts susan b anthony thomas jefferson women in history women in history activities this online activity requires students to complete a paragraph by selecting the correct homophones from the drop down menus

[homophone correction worksheet teacher made twinkl](#) - Jan 29 2023

web an worksheet with a passage on it strewn with incorrect homophones pupils have to correct the errors extension task included

**results for homophone passage tpt** - Mar 19 2022

web it is a short fiction passage about bears that go on an adventure in each passage students are to hunt for homophones in version a students are given two options and circle the correct homophones in version b students hunt for the homophones throughout the passage and highlight them

[homophone story worksheet education com](#) - Aug 04 2023

web give third grade students this homophone story worksheet that tells the story of a boy and his humongous monsters this

reading and writing worksheet explains that homophones are words that sound similar but have different meanings and asks students to circle the correct homophones in each sentence of the story

*101 english homophones you should know otuk 1 british* - Aug 24 2022

web 101 english homophones with examples in this list of english homophones you will find simple intermediate and more advanced level vocabulary for each pair or set there are meanings and examples some you will know already but others will certainly be new

homophone definition and examples poem analysis - May 21 2022

web writers use homophones in order to create a humorous or clever effect in their writing when words with two or more meanings are used the reader is asked to stop and consider them and think for a moment about which meaning the writer has selected

**sample paragraph with a homonyms worksheets learny kids** - Nov 26 2022

web displaying top 8 worksheets found for sample paragraph with a homonyms some of the worksheets for this concept are homophones write the following passage in your literacy practicing homophones homonyms homographs homophones homonyms homographs homophones 55 homophone entry 3 level 2 spelling synonym antonym ready for pdg

300 cool examples of homophones in english from a z 7esl - Jul 03 2023

web oct 5 2023 in english a homophone is a word that is pronounced exactly or nearly the same as another word but differs in meaning and is spelled differently a homophone is a linguistic situation in which two words have the same pronunciation but have different spellings and meanings

**homophone mix up super teacher worksheets** - May 01 2023

web here is a very clever reading passage to practice identifying incorrect use of homophones students are instructed to circle all homophones used incorrectly and replace them with the correct spelling alternative this english language arts worksheet is a great addition to a lesson on homophones

**25 pairs of english homophones you ll need in life fluentu** - Oct 26 2022

web sep 29 2023 in this post we ll teach you 25 pairs of english homophones with example sentences to compare their uses contents what is a homophone 25 sets of english homophones all english learners should know 1 ate eight 2 bare bear 3 buy by bye 4 cell sell 5 dew do due 6 eye i 7 fairy ferry 8 flour flower 9 for four

*714 top comprehension passage with homophones teaching* - Sep 05 2023

web explore more than 714 comprehension passage with homophones resources for teachers parents and pupils as well as related resources on passage with homophones check out our interactive series of lesson plans worksheets powerpoints and homophones write the following passage in your literacy - Oct 06 2023

web spot the homophones see if you can find all the homophones that have been used underline the words that you need to change and use a dictionary to help last knight when i looked up the sky was dark blew i new i wood sea stars but eye was surprised buy there brightness who had maid them seam sew beautiful i was shore

*homophones write the following passage in your literacy - Apr 19 2022*

web homophones write the following passage in your literacy book with the correct homophones look carefully to make sure you don t miss any make sure that all spellings are correct using a dictionary if necessary won knight i sore a pear of men buy the see

**histologie kurzlehrbuch der zytologie und mikrosk copy** - May 20 2022

web 2 histologie kurzlehrbuch der zytologie und mikrosk 2020 01 01 kapitels praxistipps kapitel zur gynäkologischen untersuchung und den leitsymptomen die extras der

**histologie kurzlehrbuch der zytologie und mikrosk dotnbm** - Mar 18 2022

web histologie kurzlehrbuch der zytologie und mikrosk getting the books histologie kurzlehrbuch der zytologie und mikrosk now is not type of inspiring means you

histologie kurslehrbuch der zytologie und - Apr 30 2023

web lehrbuch der histologie dec 08 2022 das vorliegende lehrbuch der histologie cytologie histologie mikroskopische anatomie ist in erster linie für den gebrauch im

*histologie kurzlehrbuch der zytologie und mikrosk pdf* - Aug 23 2022

web oct 25 2023 histologie kurzlehrbuch der zytologie und mikrosk 1 5 downloaded from uniport edu ng on october 25 2023 by guest histologie kurzlehrbuch der zytologie

**histologie kurzlehrbuch der zytologie und mikrosk pdf** - Aug 03 2023

web lehrbuch der histologie aug 27 2022 das vorliegende lehrbuch der histologie cytologie histologie mikroskopische anatomie ist in erster linie für den gebrauch im

histologie kurzlehrbuch der zytologie und mikrosk frank - Sep 23 2022

web inhalte des fachs und gibt ihnen eine strukturierte Übersicht über die grundlagen der zytologie und mikroskopischen anatomie bis zur funktion der einzelnen

**histologie kurzlehrbuch der zytologie und mikrosk copy db csda** - Oct 25 2022

web 4 histologie kurzlehrbuch der zytologie und mikrosk 2023 03 11 gezielten vorbereiten auf die 1 Ärztliche prüfung physikum kurzlehrbuch pathologie georg thieme verlag

*histologie kurzlehrbuch der zytologie und mikrosk uniport edu* - Apr 18 2022

web histologie kurzlehrbuch der zytologie und mikrosk unbiased stereology feb 21 2022 unbiased stereology second edition

is a practical guide to making unbiased 3 d

**kurzlehrbuch histologie 9783132433182 thieme webshop** - Oct 05 2023

web histologie verstehen und behalten von a wie allgemeine gewebelehre bis z wie zytologie dieses kurzlehrbuch bringt das gesamte prüfungsrelevante wissen der histologie

lehrbuch histologie 5 a elibrary die online - Jun 01 2023

web cyberlab sutd edu sg

*read free histologie kurzlehrbuch der zytologie und mikrosk* - Feb 14 2022

web histologie kurzlehrbuch der zytologie und mikrosk 2 8 downloaded from uniport edu ng on october 27 2023 by guest subjects illustrations hand drawn by a veterinary

*histologie kurzlehrbuch der zytologie und mikrosk louis de* - Jan 16 2022

web basiswissen histologie und zytologie ist ein wirklich gutes buch für den einstieg und meiner meinung nach gut für die ausbildung zur mta geeignet vorallem der

*download solutions histologie kurzlehrbuch der zytologie und* - Jan 28 2023

web histologie lehrbuch der zytologie histologie und mikroskopischen anatomie des menschen wachtler franz isbn 9783850766814 kostenloser versand für alle

*cyberlab sutd edu sg* - Mar 30 2023

web histologie kurzlehrbuch der zytologie und mikrosk cell imaging feb 19 2022 this book covers the key techniques that can be employed in any lab with access to cell

**basiswissen histologie und zytologie arbeitsbuch für mta** - Nov 13 2021

**histologie kurzlehrbuch der zytologie und mikrosk pdf** - Jun 20 2022

web aug 19 2023 histologie kurzlehrbuch der zytologie und mikrosk 3 9 downloaded from uniport edu ng on august 19 2023 by guest continues to provide a coherent lasting

**histologie kurzlehrbuch der zytologie und mikrosk download** - Jul 22 2022

web histologie kurzlehrbuch der zytologie und mikrosk 1 10 downloaded from uniport edu ng on october 31 2023 by guest histologie kurzlehrbuch der zytologie

*histologie lehrbuch der zytologie histologie und* - Nov 25 2022

web histologie kurzlehrbuch der zytologie und mikrosk as recognized adventure as skillfully as experience virtually lesson amusement as competently as harmony can be

**read free histologie kurzlehrbuch der zytologie und mikrosk** - Dec 27 2022

web gut von den grundlagen der histologie bis zur histomorphologie funktion und klinik der organsysteme besser mit klinischen fallbeispielen basics jedes thema in kleinen

[histologie kurzlehrbuch der zytologie und mikrosk](#) - Jul 02 2023

web histologie kurzlehrbuch der zytologie und mikrosk taschenatlas der zytologie histologie und mikroskopischen anatomie apr 17 2022 urinzytologie may 07 2021

**histologie kurzlehrbuch der zytologie und mikrosk uniport edu** - Dec 15 2021

**kurzlehrbuch histologie erref thieme** - Sep 04 2023

web von a wie allgemeine gewebelehre bis z wie zytologie dieses kurzlehrbuch bringt das gesamte prüfungsrelevante wissen der histologie auf den punkt farbige

**ebook histologie kurzlehrbuch der zytologie und mikrosk** - Feb 26 2023

web histologie kurzlehrbuch der zytologie und mikrosk histologie jun 29 2021 histologi einführung in die zytologie und histologie apr 08 2022 taschenatlas der

*manifesto la buona impresa valori e proposte per l economia* - Aug 02 2022

web jan 29 2020 va promossa una nuova stagione di crescita cinque obiettivi chiari e le indicazioni su come raggiungerli il manifesto di cia confindustria confagricoltura

*beni comuni un manifesto economica laterza italia pdf pdf* - Sep 22 2021

web beni comuni un manifesto economica laterza italia pdf beni comuni un manifesto economica laterza italia pdf book review unveiling the magic of language in a digital

**beni comuni un manifesto economica laterza italian edition** - Dec 06 2022

web beni comuni un manifesto economica laterza italian edition ebook mattei ugo amazon de kindle shop

[beni comuni un manifesto economica laterza italia pdf](#) - Jul 13 2023

web jun 9 2023 beni comuni un manifesto economica laterza italia 1 12 downloaded from uniport edu ng on june 9 2023 by guest beni comuni un manifesto economica

**beni comuni un manifesto economica laterza italia pdf** - Feb 25 2022

web may 28 2023 sul tema del neo costituzionalismo e dei beni comuni beni comuni dalla teoria all azione dissensi 2011 democrazia dei beni comuni laterza 2013 la

**beni comuni un manifesto economica laterza italian edition by** - May 11 2023

web beni comuni un manifesto economica laterza italian edition by ugo mattei mattei guida il lettore alla scoperta delle diverse modalità con cui il saccheggio dei beni comuni

**beni comuni un manifesto economica laterza italia luca** - Nov 24 2021

web beni comuni un manifesto economica laterza italia is universally compatible when any devices to read nuova trasparenza amministrativa e libert di accesso alle informazioni

[beni comuni un manifesto economica laterza italia download](#) - Mar 09 2023

web beni comuni un manifesto economica laterza italia 1 beni comuni un manifesto economica laterza italia this is likewise one of the factors by obtaining the soft

**riassunto libro manifesto per la felicità di stefano bartolini** - May 31 2022

web jan 21 2019 economia sociale e del settore pubblico riassunto libro manifesto per la felicità di stefano bartolini dispense di economia politica 5 1 30 punti scarica

**beni comuni un manifesto economica laterza italian edition** - Jun 12 2023

web jun 12 2012 buy beni comuni un manifesto economica laterza italian edition read kindle store reviews amazon com

**beni comuni un manifesto economica laterza italian edition** - Apr 10 2023

web beni comuni un manifesto economica laterza italian edition ebook mattei ugo amazon co uk kindle store

**beni comuni un manifesto economica laterza amazon it** - Aug 14 2023

web roberto esposito la repubblicaquesto manifesto si propone di far emergere in piena luce il potenziale rivoluzionario della nozione di beni comuni con scrittura chiara e

[beni comuni un manifesto economica laterza italia pdf](#) - Nov 05 2022

web 2 beni comuni un manifesto economica laterza italia 2021 06 10 book presents a multi disciplinary debate on the new frontiers of strategic and spatial planning economic

**beni comuni un manifesto economica laterza italian edition** - Jan 07 2023

web lee ahora en digital con la aplicación gratuita kindle beni comuni un manifesto economica laterza italian edition ebook mattei ugo amazon es tienda kindle

**beni comuni un manifesto economica laterza italia 2022** - Feb 08 2023

web beni comuni un manifesto economica laterza italia restless cities on the edge the commons and a new global governance social movements and public policies in

[beni comuni un manifesto economica laterza italian edition by](#) - Dec 26 2021

web march 18th 2020 u mattei beni uni un manifesto laterza collana saggi tascabili laterza 2011 le nuove dispense del corso necessarie alla prova dell esame saranno disponibili

*beni comuni un manifesto economica laterza italian edition by* - Jan 27 2022

web april 15th 2020 ugo mattei is an italian law professor who lives between turin italy and berkeley fritjof capra and ugo

mattei argue that at the root of many of the environmental

**beni comuni un manifesto economica laterza italia** - Oct 04 2022

web beni comuni un manifesto economica laterza italia 1 beni comuni un manifesto economica laterza italia this is likewise one of the factors by obtaining the soft

*beni comuni un manifesto economica laterza italia* - Mar 29 2022

web kindly say the beni comuni un manifesto economica laterza italia is universally compatible with any devices to read comunicazione poteri e cittadini stefano rolando

*beni comuni un manifesto economica laterza italian edition by* - Sep 03 2022

web aug 16 2023 april 26th 2020 un manifesto essenziale e coerente che potrebbe richiamare società civile e politica a un insieme di responsabilità non derogabili diritti

beni comuni un manifesto economica laterza italian edition by - Oct 24 2021

web beni comuni un manifesto economica laterza italian edition by ugo mattei conclusions contained in sect 6 were jointly written by both authors mons and design grammars of

*il manifesto di brunetta per una nuova economia sociale di* - Jul 01 2022

web jul 5 2021 comincia così il manifesto per una nuova economica sociale di mercato scritto dal ministro della pubblica amministrazione renato brunetta scritto sul foglio

**beni comuni un manifesto economica laterza italia copy** - Apr 29 2022

web mar 30 2023 beni comuni un manifesto economica laterza italia 1 12 downloaded from uniport edu ng on march 30 2023 by guest beni comuni un manifesto