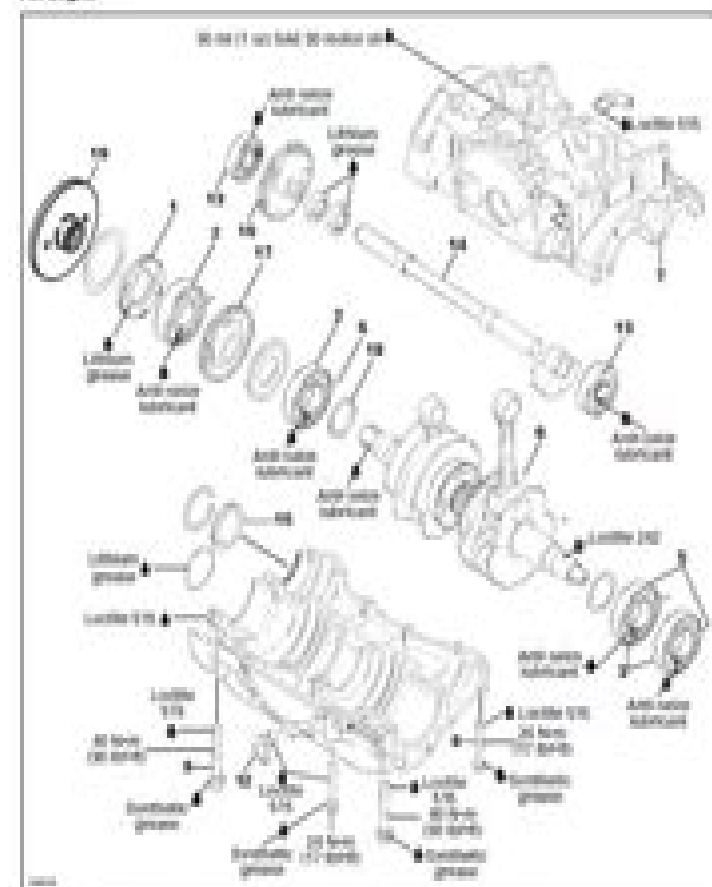


- TABLE OF CONTENTS
- SAFETY NOTICE
- WHAT'S NEW
- INTRODUCTION
- 01 SERVICE TOOLS AND PRODUCTS
  - MANDATORY TOOLS
  - OPTIONAL TOOLS
  - SERVICE PRODUCTS
- 02 MAINTENANCE
- 03 TROUBLESHOOTING
- 04 ENGINE
- 05 COOLING SYSTEM
- 06 FUEL SYSTEM
- 07 LUBRICATION SYSTEM
- 08 ELECTRICAL
- 09 PROPULSION SYSTEM
- 10 STEERING SYSTEM
- 11 HULL/DUCK
- 12 TECHNICAL DATA
  - SPORTSTER/SPORTSTER 1800/CHALLENGER

**Section 04 ENGINE**  
**Subsection 04 BOTTOM END**

JET Engine



NOTE: Some numbers are missing. They are used on the previous illustration.

# Sea Doo 1998 2000 Sportster Challenger Repair Manual Seadoo

**J Ma**



**Sea Doo 1998 2000 Sportster Challenger Repair Manual Seadoo:**

Yeah, reviewing a ebook **Sea Doo 1998 2000 Sportster Challenger Repair Manual Seadoo** could mount up your close connections listings. This is just one of the solutions for you to be successful. As understood, skill does not suggest that you have fantastic points.

Comprehending as without difficulty as conformity even more than further will provide each success. next to, the proclamation as skillfully as insight of this Sea Doo 1998 2000 Sportster Challenger Repair Manual Seadoo can be taken as well as picked to act.

[https://crm.avenza.com/data/browse/HomePages/Question\\_Paper\\_Of\\_Grade\\_12013\\_Maths\\_Sl\\_P2.pdf](https://crm.avenza.com/data/browse/HomePages/Question_Paper_Of_Grade_12013_Maths_Sl_P2.pdf)

## **Table of Contents Sea Doo 1998 2000 Sportster Challenger Repair Manual Seadoo**

1. Understanding the eBook Sea Doo 1998 2000 Sportster Challenger Repair Manual Seadoo
  - The Rise of Digital Reading Sea Doo 1998 2000 Sportster Challenger Repair Manual Seadoo
  - Advantages of eBooks Over Traditional Books
2. Identifying Sea Doo 1998 2000 Sportster Challenger Repair Manual Seadoo
  - Exploring Different Genres
  - Considering Fiction vs. Non-Fiction
  - Determining Your Reading Goals
3. Choosing the Right eBook Platform
  - Popular eBook Platforms
  - Features to Look for in an Sea Doo 1998 2000 Sportster Challenger Repair Manual Seadoo
  - User-Friendly Interface
4. Exploring eBook Recommendations from Sea Doo 1998 2000 Sportster Challenger Repair Manual Seadoo
  - Personalized Recommendations
  - Sea Doo 1998 2000 Sportster Challenger Repair Manual Seadoo User Reviews and Ratings
  - Sea Doo 1998 2000 Sportster Challenger Repair Manual Seadoo and Bestseller Lists
5. Accessing Sea Doo 1998 2000 Sportster Challenger Repair Manual Seadoo Free and Paid eBooks

- Sea Doo 1998 2000 Sportster Challenger Repair Manual Seadoo Public Domain eBooks
  - Sea Doo 1998 2000 Sportster Challenger Repair Manual Seadoo eBook Subscription Services
  - Sea Doo 1998 2000 Sportster Challenger Repair Manual Seadoo Budget-Friendly Options
6. Navigating Sea Doo 1998 2000 Sportster Challenger Repair Manual Seadoo eBook Formats
    - ePub, PDF, MOBI, and More
    - Sea Doo 1998 2000 Sportster Challenger Repair Manual Seadoo Compatibility with Devices
    - Sea Doo 1998 2000 Sportster Challenger Repair Manual Seadoo Enhanced eBook Features
  7. Enhancing Your Reading Experience
    - Adjustable Fonts and Text Sizes of Sea Doo 1998 2000 Sportster Challenger Repair Manual Seadoo
    - Highlighting and Note-Taking Sea Doo 1998 2000 Sportster Challenger Repair Manual Seadoo
    - Interactive Elements Sea Doo 1998 2000 Sportster Challenger Repair Manual Seadoo
  8. Staying Engaged with Sea Doo 1998 2000 Sportster Challenger Repair Manual Seadoo
    - Joining Online Reading Communities
    - Participating in Virtual Book Clubs
    - Following Authors and Publishers Sea Doo 1998 2000 Sportster Challenger Repair Manual Seadoo
  9. Balancing eBooks and Physical Books Sea Doo 1998 2000 Sportster Challenger Repair Manual Seadoo
    - Benefits of a Digital Library
    - Creating a Diverse Reading Collection Sea Doo 1998 2000 Sportster Challenger Repair Manual Seadoo
  10. Overcoming Reading Challenges
    - Dealing with Digital Eye Strain
    - Minimizing Distractions
    - Managing Screen Time
  11. Cultivating a Reading Routine Sea Doo 1998 2000 Sportster Challenger Repair Manual Seadoo
    - Setting Reading Goals Sea Doo 1998 2000 Sportster Challenger Repair Manual Seadoo
    - Carving Out Dedicated Reading Time
  12. Sourcing Reliable Information of Sea Doo 1998 2000 Sportster Challenger Repair Manual Seadoo
    - Fact-Checking eBook Content of Sea Doo 1998 2000 Sportster Challenger Repair Manual Seadoo
    - Distinguishing Credible Sources
  13. Promoting Lifelong Learning
    - Utilizing eBooks for Skill Development

- Exploring Educational eBooks
14. Embracing eBook Trends
- Integration of Multimedia Elements
  - Interactive and Gamified eBooks

### **Sea Doo 1998 2000 Sportster Challenger Repair Manual Seadoo Introduction**

Free PDF Books and Manuals for Download: Unlocking Knowledge at Your Fingertips In today's fast-paced digital age, obtaining valuable knowledge has become easier than ever. Thanks to the internet, a vast array of books and manuals are now available for free download in PDF format. Whether you are a student, professional, or simply an avid reader, this treasure trove of downloadable resources offers a wealth of information, conveniently accessible anytime, anywhere. The advent of online libraries and platforms dedicated to sharing knowledge has revolutionized the way we consume information. No longer confined to physical libraries or bookstores, readers can now access an extensive collection of digital books and manuals with just a few clicks. These resources, available in PDF, Microsoft Word, and PowerPoint formats, cater to a wide range of interests, including literature, technology, science, history, and much more. One notable platform where you can explore and download free Sea Doo 1998 2000 Sportster Challenger Repair Manual Seadoo PDF books and manuals is the internet's largest free library. Hosted online, this catalog compiles a vast assortment of documents, making it a veritable goldmine of knowledge. With its easy-to-use website interface and customizable PDF generator, this platform offers a user-friendly experience, allowing individuals to effortlessly navigate and access the information they seek. The availability of free PDF books and manuals on this platform demonstrates its commitment to democratizing education and empowering individuals with the tools needed to succeed in their chosen fields. It allows anyone, regardless of their background or financial limitations, to expand their horizons and gain insights from experts in various disciplines. One of the most significant advantages of downloading PDF books and manuals lies in their portability. Unlike physical copies, digital books can be stored and carried on a single device, such as a tablet or smartphone, saving valuable space and weight. This convenience makes it possible for readers to have their entire library at their fingertips, whether they are commuting, traveling, or simply enjoying a lazy afternoon at home. Additionally, digital files are easily searchable, enabling readers to locate specific information within seconds. With a few keystrokes, users can search for keywords, topics, or phrases, making research and finding relevant information a breeze. This efficiency saves time and effort, streamlining the learning process and allowing individuals to focus on extracting the information they need. Furthermore, the availability of free PDF books and manuals fosters a culture of continuous learning. By removing financial barriers, more people can access educational resources and pursue lifelong learning, contributing to personal growth and professional development. This democratization

of knowledge promotes intellectual curiosity and empowers individuals to become lifelong learners, promoting progress and innovation in various fields. It is worth noting that while accessing free Sea Doo 1998 2000 Sportster Challenger Repair Manual Seadoo PDF books and manuals is convenient and cost-effective, it is vital to respect copyright laws and intellectual property rights. Platforms offering free downloads often operate within legal boundaries, ensuring that the materials they provide are either in the public domain or authorized for distribution. By adhering to copyright laws, users can enjoy the benefits of free access to knowledge while supporting the authors and publishers who make these resources available. In conclusion, the availability of Sea Doo 1998 2000 Sportster Challenger Repair Manual Seadoo free PDF books and manuals for download has revolutionized the way we access and consume knowledge. With just a few clicks, individuals can explore a vast collection of resources across different disciplines, all free of charge. This accessibility empowers individuals to become lifelong learners, contributing to personal growth, professional development, and the advancement of society as a whole. So why not unlock a world of knowledge today? Start exploring the vast sea of free PDF books and manuals waiting to be discovered right at your fingertips.

### **FAQs About Sea Doo 1998 2000 Sportster Challenger Repair Manual Seadoo Books**

**What is a Sea Doo 1998 2000 Sportster Challenger Repair Manual Seadoo PDF?** A PDF (Portable Document Format) is a file format developed by Adobe that preserves the layout and formatting of a document, regardless of the software, hardware, or operating system used to view or print it. **How do I create a Sea Doo 1998 2000 Sportster Challenger Repair Manual Seadoo PDF?** There are several ways to create a PDF: Use software like Adobe Acrobat, Microsoft Word, or Google Docs, which often have built-in PDF creation tools. Print to PDF: Many applications and operating systems have a "Print to PDF" option that allows you to save a document as a PDF file instead of printing it on paper. Online converters: There are various online tools that can convert different file types to PDF. **How do I edit a Sea Doo 1998 2000 Sportster Challenger Repair Manual Seadoo PDF?** Editing a PDF can be done with software like Adobe Acrobat, which allows direct editing of text, images, and other elements within the PDF. Some free tools, like PDFescape or Smallpdf, also offer basic editing capabilities. **How do I convert a Sea Doo 1998 2000 Sportster Challenger Repair Manual Seadoo PDF to another file format?** There are multiple ways to convert a PDF to another format: Use online converters like Smallpdf, Zamzar, or Adobe Acrobat's export feature to convert PDFs to formats like Word, Excel, JPEG, etc. Software like Adobe Acrobat, Microsoft Word, or other PDF editors may have options to export or save PDFs in different formats. **How do I password-protect a Sea Doo 1998 2000 Sportster Challenger Repair Manual Seadoo PDF?** Most PDF editing software allows you to add password protection. In Adobe Acrobat, for instance, you can go to "File" -> "Properties" ->

"Security" to set a password to restrict access or editing capabilities. Are there any free alternatives to Adobe Acrobat for working with PDFs? Yes, there are many free alternatives for working with PDFs, such as: LibreOffice: Offers PDF editing features. PDFsam: Allows splitting, merging, and editing PDFs. Foxit Reader: Provides basic PDF viewing and editing capabilities. How do I compress a PDF file? You can use online tools like Smallpdf, ILovePDF, or desktop software like Adobe Acrobat to compress PDF files without significant quality loss. Compression reduces the file size, making it easier to share and download. Can I fill out forms in a PDF file? Yes, most PDF viewers/editors like Adobe Acrobat, Preview (on Mac), or various online tools allow you to fill out forms in PDF files by selecting text fields and entering information. Are there any restrictions when working with PDFs? Some PDFs might have restrictions set by their creator, such as password protection, editing restrictions, or print restrictions. Breaking these restrictions might require specific software or tools, which may or may not be legal depending on the circumstances and local laws.

**Find Sea Doo 1998 2000 Sportster Challenger Repair Manual Seadoo :**

[question paper of grade 12013 maths sl p2](#)

**quinox el angel oscuro 1 exilio**

[question paper of jan 2013 ial accounting](#)

[questions actuelles sur lorganisation normale et pathologique du nourrisson](#)

*quick recipe for pasta*

**question paper 2 of agric grade 11 2014**

**quinault guide service**

[quick reference guide for suturing](#)

[question paper of business studies grade12014](#)

*quickbooks chapter 6*

*questions agrave mon pegravere*

[question paper grade 9 june and september](#)

[question paper geography 1 grade11 final examination 2014](#)

**quincy compressor 325 manual**

*quiz in paragraph development*



**Sea Doo 1998 2000 Sportster Challenger Repair Manual Seadoo :**

*pharmako gnosis plant teachers and the poison path* - Nov 28 2021

**farmakognozi dersi hakkında eczacilar net** - Mar 01 2022

web pharmacognosy definition materia medica def 2 see more

**pharmako gnosis revised and updated google books** - Jun 16 2023

web pharmako gnosis plant teachers and the poison path this is the third and final volume of north atlantic books updated paperback edition of dale pendell s pharmako trilogy

pharmako gnosis revised and updated plant teachers and the - Nov 09 2022

web pharmako gnosis plant teachers and the poison path focuses on plant based and derivative psychedelic teachers including ayahuasca peyote lsd and dmt and on

pharmako gnosis plant teachers and the poison path google - Mar 13 2023

web pharmako gnosis plant teachers and the poison path focuses on plant based and derivative psychedelic teachers including ayahuasca peyote lsd and dmt and on

*farmakognozi cilt 1 ankara Üniversitesi* - Jul 05 2022

web pharmako gnosis plant teachers and the poison path includes a new introduction by the author and as in previous editions focuses on plant based and derivative psychedelic

**pharmako gnosis revised and updated penguin random house** - Jul 17 2023

web sep 28 2010 delving deep into the world of psychoactive plants including ayahuasca pharmako gnosis serves as a comprehensive and standalone guide celebrated by

pharmako penguin random house - Oct 08 2022

web may 10 2023 pharmako gnosis plant teachers and the poison path by pendell dale 1947 publication date 2005 topics poisonous plants hallucinogenic plants

pharmako gnosis plant teachers and the poison path dale - Dec 10 2022

web pharmako gnosis plant teachers and the poison path includes a new introduction by the author and as in previous editions focuses on plant based and derivative psychedelic

**pharmacognosis definition of pharmacognosis by the free** - Dec 30 2021

web pharmako gnosis plant teachers and the poison path focuses on plant based and derivative psychedelic teachers including ayahuasca peyote lsd and dmt and on

pharmacognosy definition meaning dictionary com - Jan 31 2022

web the branch of pharmacology that studies the composition use and history of drugs pharmacognosist n pharmacognosic  
adj

*pharmako gnosis revised and updated north atlantic books* - Jun 04 2022

web pharmako gnosis bitki Öğretmenler ve zehir yolu pharmako pharmako pharmako dynamis amazon com tr kitap

**pharmako gnosis plant teachers and the poison path** - Feb 12 2023

web pharmako gnosis plant teachers and the poison path includes a new introduction by the author and as in previous  
editions focuses on plant based and derivative psychedelic

pharmako gnosis plant teachers and the poison path - Sep 19 2023

web jul 1 1999 pharmako gnosis plant teachers and the poison path by dale pendell mercury house 1999 615 321

pharmacognosis is the branch of pharmacology that

**pharmako gnosis by dale pendell 9781556438899 penguin** - Oct 28 2021

*pharmako gnosis plant teachers and the poison path google* - Apr 14 2023

web this is the third and final volume of north atlantic books hard cover edition of dale pendell s pharmako trilogy an  
encyclopedic study of the history and uses of psychoactive plants

**pharmako gnosis revised and updated plant teachers and the** - Aug 06 2022

web bu site altında yer alan tüm kaynaklar creative commons alıntı gayriticari türetilemez 4 0 uluslararası lisansı ile  
lisanslanmıştır bu lisans koşulları altında ankara Üniversitesi

pharmako gnosis plant teachers and the poison path - Sep 07 2022

web paperback currently unavailable we don t know when or if this item will be back in stock select delivery location have  
one to sell sell on amazon roll over image to zoom in

*pharmako gnosis revised and updated plant teachers and the* - Jan 11 2023

web this final volume covers the visionary plants the contemporary uses of plant poisons historic cultural lore and shamanic  
rites if homer had been a drug connoisseur his

*pharmako gnosis by dale pendell goodreads* - Aug 18 2023

web powell s delving deep into the world of psychoactive plants including ayahuasca pharmako gnosis serves as a  
comprehensive and standalone guide celebrated by

**pharmako gnosis bitki Öğretmenler ve zehir yolu pharmako** - May 03 2022

web pharmacognosis pharmacognosis terimi tıp dilinde kullanılan latince bir kelimedir pharmacognosis nedir size kısaca  
bunun hakkında bilgi verelim pharmacognosis

**pharmako gnosis plant teachers and the poison path** - May 15 2023

web pharmako gnosis weaves together writing on ancient shamanic rites historical cultural lore and the contemporary use of plant poisons in chapters phantastica hypnotica and

pharmacognosis nedir türkçe ne demek tıp terimleri sözlüğü - Apr 02 2022

web jan 14 2015 farmakognozi dersi farmakognozi biyolojik kaynaklı ilaçların elde edilmesi üretilmesi farmakolojisi ve tedavide kullanımlarını inceleyen bilim dalıdır farmakognozi

**burning bright flynn 2 by sophie mckenzie goodreads** - Dec 07 2022

web burning bright book read 47 reviews from the world s largest community for readers the second title in a new four book romance series from the red hous

**burning bright by sophie mckenzie 9780857071019 paperback** - Aug 03 2022

web burning bright isbn 9780857071019 january 2013 book of the month in this high octane sequel to falling fast river still passionately in love with flynn finds herself more and more confused and anxious by his violent behaviour

**editions of burning bright by sophie mckenzie goodreads** - Sep 04 2022

web editions for burning bright kindle edition published in 2013 kindle edition published in 2013 published in 2013 published in 2013 08570710

**burning bright ghent university library** - Jul 02 2022

web burning bright isbn 0 85707 101 7 0 85707 102 5 author mckenzie sophie publisher simon schuster children s uk 2013 e location

**burning bright ebook by sophie mckenzie official publisher** - Jan 08 2023

web burning bright by sophie mckenzie the sequel to falling fast four months have passed and river and flynn s romance is still going strong river thinks fly

*burning bright falling fast volume 2 sophie mckenzie* - Apr 11 2023

web burning bright was a brilliant book but i gave it this rating as compared to falling fast the first novel in the series it was disappointing in the first book i felt like i understood the characters more i was also not a big fan of the ending but even though i would still recommend this book

burning bright by sophie mckenzie ebook ebooks com - Nov 06 2022

web the sequel to falling fast four months have passed and river and flynn s romance is still going strong river thinks flynn has his anger under control but when she discovers he has been getting into fights and is facing a terrible accusation at school she starts to question both flynn s honesty and the intensity of their passion things come to a head at a

burning bright sophie mckenzie google books - Jul 14 2023

web jan 3 2013 the sequel to falling fast four months have passed and river and flynn s romance is still going strong river thinks flynn has his anger under control but when she discovers he has been getting

[burning bright ebook mckenzie sophie amazon in kindle store](#) - Mar 30 2022

web select the department you want to search in

[burning bright worldcat org](#) - Oct 05 2022

web burning bright author sophie mckenzie summary four months have passed and river and flynn s romance is still going strong river thinks flynn has his anger under control but when she discovers he has been getting into fights and is facing a terrible accusation at school she starts to question both flynn s honesty and the intensity of

**burning bright sophie mckenzie p 1 global archive voiced** - Dec 27 2021

web the right of sophie mckenzie to be identified as the author of this work has been asserted by her in accordance with sections 77 and 78 of the copyright design and patents act 1988

**burning bright mckenzie sophie free download borrow and** - May 12 2023

web 1 volume 20 cm four months have passed and river and flynn s romance is still going strong river thinks flynn has his anger under control but when she discovers he has been getting into fights and is facing a terrible accusation at school she starts to question both flynn s honesty and the intensity of their passion

[burning bright falling fast sophie mckenzie amazon com tr](#) - Jun 13 2023

web burning bright falling fast sophie mckenzie amazon com tr kitap Çerez tercihlerinizi seçin Çerez bildirimimizde detaylandırıldığı üzere satın alım yapmanızı sağlamak alışveriş deneyiminizi geliştirmek ve hizmetlerimizi sunmak için gerekli olan çerezleri ve benzer araçları kullanıyoruz

[burning bright by sophie mckenzie open library](#) - Feb 26 2022

web burning bright by sophie mckenzie 2012 simon schuster children s edition in english

**burning bright read online free without download readanybook** - Jan 28 2022

web burning bright read free ebook by sophie mckenzie in online reader directly on the web page select files or add your book in reader

[burning bright by sophie mckenzie overdrive ebooks](#) - Jun 01 2022

web jan 3 2013 the sequel to falling fast four months have passed and river and flynn s romance is still going strong river thinks flynn has his anger under control but when she discovers he has been getting into fights and is facing a terrible accusation at school she starts to question both flynn s honesty and the intensity of their passion

**burning bright flynn 2 by sophie mckenzie goodreads** - Aug 15 2023

web jan 3 2013 burning bright sophie mckenzie 3 82 873 ratings50 reviews the second title in a new four book romance

series from the red house book award winning author of girl missing four months have passed and river and flynn are still going strong but things are not perfect

*burning bright flynn series book 2 kindle edition by mckenzie* - Mar 10 2023

web jan 3 2013 *burning bright flynn series book 2 kindle edition by mckenzie sophie* download it once and read it on your kindle device pc phones or tablets use features like bookmarks note taking and highlighting while reading *burning bright flynn series book 2*

*burning bright sophie mckenzie google books* - Feb 09 2023

web jan 3 2013 *burning bright sophie mckenzie simon and schuster* jan 3 2013 juvenile fiction 272 pages 1 review reviews aren't verified but google checks for and removes fake content when it's identified

*burning bright flynn series book 2 kindle edition amazon co uk* - Apr 30 2022

web *burning bright flynn series book 2 ebook mckenzie sophie amazon co uk kindle store*

**chapter 12 solution of managerial accounting garrison** - May 10 2023

web chapter 12 solution of managerial accounting garrison the mcgraw hill companies inc 2010 all studocu it is the solution manual of chapter 12 of managerial

**chapter 13 managerial accountin 12th** - May 30 2022

web aug 5 2014 managerial accounting ed 15 chapter 12 download as a pdf or view online for free

ch 12 multiple choice principles of accounting volume 2 - Aug 01 2022

web jun 27 2023 chapter 13 managerial accountin 12th chapter 13 managerial accountin 12th we pay for you this proper as expertly as simple haughtiness to receive those all

*managerial accounting chapter 12 and 13 flashcards quizlet* - Mar 08 2023

web chapter 13 managerial accountin 12th free ebooks april 23rd 2018 chapter 13 managerial accountin 12th descriptions

chapter 13 managerial accountin 12th books is

*chapter 13 managerial accountin 12th secure4 khronos* - Jun 30 2022

web chapter 13 managerial accountin 12th getting the books chapter 13 managerial accountin 12th now is not type of inspiring means you could not and no one else going

**managerial accounting ed 15 chapter 12 ppt slideshare** - Apr 28 2022

web 2 for tax exemption under section 1312 as explained in paragraph 5 s reits of the abovementioned e tax guide ease complete sections 1 2 3 and 5 3 for tax

**chapter 13 managerial accountin 12th pdf** - Jun 11 2023

web chapter 13 managerial accountin 12th cost accounting jan 15 2023 cost accounting and myacctglab access code package

a managerial emphasis with access code

**managerial accounting 17e solutions chapter 13 studylib net** - Oct 03 2022

web garrison cdn managerial accounting 12ce chapter 14 solutions sm ch 13 solutions manual chapters available solutions manual chapters available solutions sm

managerial accounting 13th edition solutions and - Apr 09 2023

web 4 objectives of internal control safeguard assets check accuracy and reliability of accounting data promote operational efficiency encourage adherence to prescribed

*managerial accounting 13th edition textbook solutions chegg* - Jan 06 2023

web 1 1 define managerial accounting and identify the three primary responsibilities of management 1 2 distinguish between financial and managerial accounting 1 3

managerial accounting 12th edition textbook solutions bartleby - Sep 14 2023

web chapter 11 flexible budgeting and analysis of overhead costs chapter 12 responsibility accounting and the balanced scorecard chapter 13 investment

chapter 13 managerial accounting pdf labour economics - Oct 15 2023

web managerial accounting 12th edition case 13 27 60 minutes 1 the original cost of the facilities at ashton is a sunk cost and should be ignored in any decision the decision being considered here is whether to continue operations at ashton the only relevant costs are

*chapter 12 solutions managerial accounting 16th edition chegg* - Jan 26 2022

**managerial accounting creating value in a dynamic business** - Nov 04 2022

web while not covered in the text constraints can also be intangible and often take the form of a formal or informal policy that prevents the organization from furthering its goals 13 12

sm ch 12 solutions manual chapters available solutions - Sep 02 2022

web 1 1 define managerial accounting and identify the three primary responsibilities of management 1 2 distinguish between financial and managerial accounting 1 3

**answer key chapter 12 principles of accounting volume 2** - Dec 05 2022

web the 13th edition of managerial accounting offers significant coverage of contemporary topics such as activity based costing target costing the value chain customer

*tax exemption under section 13 12 of income tax act iras* - Mar 28 2022

web aim 1 1 this e tax guide explains the scenarios and conditions under which tax exemption under section 13 12 of the

income tax act 1947 ita may be granted to resident

*managerial accounting 12th edition textbook solutions chegg* - Jul 12 2023

web chapter cha problem 1e step by step solution step 1 of 2 income statement this statement is also called statement of revenue and expense income statement is one of

*pdf 13e chapter 12 pdf francisco alvarez academia edu* - Aug 13 2023

web all rights reserved 118 managerial accounting 13th edition fcommon costs would include the salary of the 12 10 margin refers to the ratio of net general counsel of the entire

**iras e tax guide** - Feb 24 2022

web managerial accounting 16th edition chapter 12 we have solutions for your book this problem has been solved problem 1ae chapter ch12 problem 1ae step by step

*chapter 13 mangerial accountin 12th orientation sutd edu sg* - Feb 07 2023

web managerial accounting 13th edition we have solutions for your book this problem has been solved problem 1cap chapter ch1 problem 1cap step by step solution step