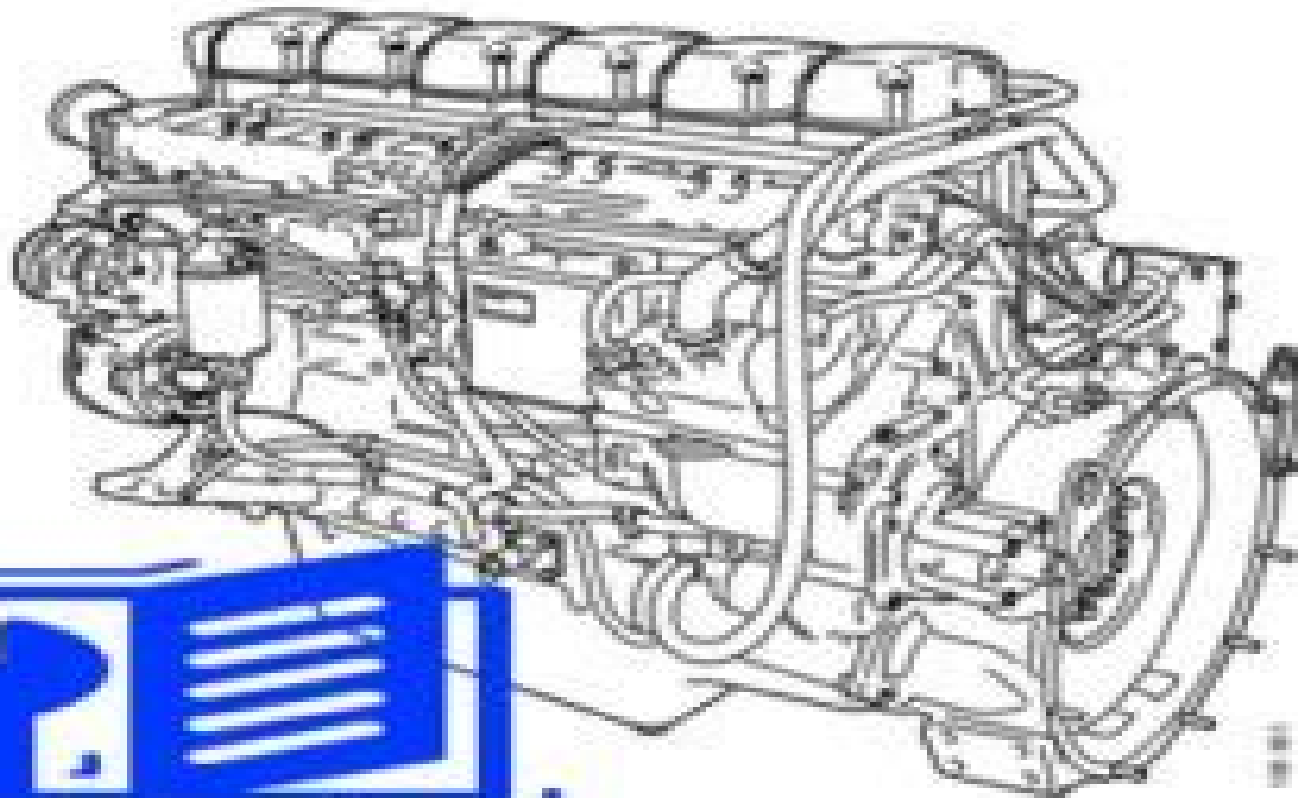




SCANIA



Cheap Reliable Guaranteed

**Scania 11 and 12 litre engines
Workshop Repair Manual**

Scania P340 Mixer Repair Manual

**Dresser Industries, inc. Waukesha
Engine Division**



Scania P340 Mixer Repair Manual:

Aeronautical Engineering: A Cumulative Index to a Continuing Bibliography (supplement 325) ,1995 **Scania**

Workshop Manual ,1980 Waukesha Scania Service Manual Dresser Industries, inc. Waukesha Engine Division,1977

Waukesha Scania Service Manual Dresser Industries, inc. Waukesha Engine Division,1977 **Saab 99** Scania

Aktiebolag Saab,1973 **Scania Dsc9 1317655 Turbocharger Rebuild Guide and Shop Manual** Brian

Smothers,2015-02-02 This shop manual covers the proper disassembly inspection rework assembly and installation of the 1317655 turbocharger found on the Scania DSC9 engines Written by an industry professional this book contains full color photos diagrams torque specs and best practices Repairing your vehicle s turbocharger is easy and cost effective if you know how This shop manual covers Garrett Honeywell TO4E06 466616 0010 466616 9010 466616 9010 466616 10 Turbochargers

Scania Dsc9 1317654 Turbocharger Rebuild Guide and Shop Manual Brian Smothers,2015-02-02 This shop manual covers the proper disassembly inspection rework assembly and installation of the 1317654 turbocharger found on the Scania DSC9 engines Written by an industry professional this book contains full color photos diagrams torque specs and best practices Repairing your vehicle s turbocharger is easy and cost effective if you know how This shop manual covers Garrett Honeywell TO4E06 466616 0012 466616 9012 466616 9012 466616 12 Turbochargers Scania Dsc9 1317660

Turbocharger Rebuild Guide and Shop Manual Brian Smothers,2015-02-02 This shop manual covers the proper disassembly inspection rework assembly and installation of the 1317660 turbocharger found on the Scania DSC9 engines Written by an industry professional this book contains full color photos diagrams torque specs and best practices Repairing your vehicle s turbocharger is easy and cost effective if you know how This shop manual covers Garrett Honeywell TO4E06 466616 0013 466616 9013 466616 9013 466616 13 Turbochargers *Scania Dsc9 1351127 Turbocharger Rebuild Guide and Shop*

Manual Brian Smothers,2015-02-02 This shop manual covers the proper disassembly inspection rework assembly and installation of the 1351127 turbocharger found on the Scania DSC9 engines Written by an industry professional this book contains full color photos diagrams torque specs and best practices Repairing your vehicle s turbocharger is easy and cost effective if you know how This shop manual covers Garrett Honeywell TO4E06 466616 0015 466616 9015 466616 9015

466616 15 Turbochargers **British Repair Manual ... 1950 Edition** BRITISH REPAIR MANUAL.,1950

Immerse yourself in heartwarming tales of love and emotion with its touching creation, Experience Love's Journey in **Scania P340 Mixer Repair Manual** . This emotionally charged ebook, available for download in a PDF format (PDF Size: *), is a celebration of love in all its forms. Download now and let the warmth of these stories envelop your heart.

<https://crm.avenza.com/results/scholarship/index.jsp/nikon%20coolpix%204500%20service%20repair%20manual.pdf>

Table of Contents Scania P340 Mixer Repair Manual

1. Understanding the eBook Scania P340 Mixer Repair Manual
 - The Rise of Digital Reading Scania P340 Mixer Repair Manual
 - Advantages of eBooks Over Traditional Books
2. Identifying Scania P340 Mixer Repair Manual
 - Exploring Different Genres
 - Considering Fiction vs. Non-Fiction
 - Determining Your Reading Goals
3. Choosing the Right eBook Platform
 - Popular eBook Platforms
 - Features to Look for in an Scania P340 Mixer Repair Manual
 - User-Friendly Interface
4. Exploring eBook Recommendations from Scania P340 Mixer Repair Manual
 - Personalized Recommendations
 - Scania P340 Mixer Repair Manual User Reviews and Ratings
 - Scania P340 Mixer Repair Manual and Bestseller Lists
5. Accessing Scania P340 Mixer Repair Manual Free and Paid eBooks
 - Scania P340 Mixer Repair Manual Public Domain eBooks
 - Scania P340 Mixer Repair Manual eBook Subscription Services
 - Scania P340 Mixer Repair Manual Budget-Friendly Options
6. Navigating Scania P340 Mixer Repair Manual eBook Formats

- ePub, PDF, MOBI, and More
 - Scania P340 Mixer Repair Manual Compatibility with Devices
 - Scania P340 Mixer Repair Manual Enhanced eBook Features
7. Enhancing Your Reading Experience
 - Adjustable Fonts and Text Sizes of Scania P340 Mixer Repair Manual
 - Highlighting and Note-Taking Scania P340 Mixer Repair Manual
 - Interactive Elements Scania P340 Mixer Repair Manual
 8. Staying Engaged with Scania P340 Mixer Repair Manual
 - Joining Online Reading Communities
 - Participating in Virtual Book Clubs
 - Following Authors and Publishers Scania P340 Mixer Repair Manual
 9. Balancing eBooks and Physical Books Scania P340 Mixer Repair Manual
 - Benefits of a Digital Library
 - Creating a Diverse Reading Collection Scania P340 Mixer Repair Manual
 10. Overcoming Reading Challenges
 - Dealing with Digital Eye Strain
 - Minimizing Distractions
 - Managing Screen Time
 11. Cultivating a Reading Routine Scania P340 Mixer Repair Manual
 - Setting Reading Goals Scania P340 Mixer Repair Manual
 - Carving Out Dedicated Reading Time
 12. Sourcing Reliable Information of Scania P340 Mixer Repair Manual
 - Fact-Checking eBook Content of Scania P340 Mixer Repair Manual
 - Distinguishing Credible Sources
 13. Promoting Lifelong Learning
 - Utilizing eBooks for Skill Development
 - Exploring Educational eBooks
 14. Embracing eBook Trends
 - Integration of Multimedia Elements
 - Interactive and Gamified eBooks

Scania P340 Mixer Repair Manual Introduction

In the digital age, access to information has become easier than ever before. The ability to download Scania P340 Mixer Repair Manual has revolutionized the way we consume written content. Whether you are a student looking for course material, an avid reader searching for your next favorite book, or a professional seeking research papers, the option to download Scania P340 Mixer Repair Manual has opened up a world of possibilities. Downloading Scania P340 Mixer Repair Manual provides numerous advantages over physical copies of books and documents. Firstly, it is incredibly convenient. Gone are the days of carrying around heavy textbooks or bulky folders filled with papers. With the click of a button, you can gain immediate access to valuable resources on any device. This convenience allows for efficient studying, researching, and reading on the go. Moreover, the cost-effective nature of downloading Scania P340 Mixer Repair Manual has democratized knowledge. Traditional books and academic journals can be expensive, making it difficult for individuals with limited financial resources to access information. By offering free PDF downloads, publishers and authors are enabling a wider audience to benefit from their work. This inclusivity promotes equal opportunities for learning and personal growth. There are numerous websites and platforms where individuals can download Scania P340 Mixer Repair Manual. These websites range from academic databases offering research papers and journals to online libraries with an expansive collection of books from various genres. Many authors and publishers also upload their work to specific websites, granting readers access to their content without any charge. These platforms not only provide access to existing literature but also serve as an excellent platform for undiscovered authors to share their work with the world. However, it is essential to be cautious while downloading Scania P340 Mixer Repair Manual. Some websites may offer pirated or illegally obtained copies of copyrighted material. Engaging in such activities not only violates copyright laws but also undermines the efforts of authors, publishers, and researchers. To ensure ethical downloading, it is advisable to utilize reputable websites that prioritize the legal distribution of content. When downloading Scania P340 Mixer Repair Manual, users should also consider the potential security risks associated with online platforms. Malicious actors may exploit vulnerabilities in unprotected websites to distribute malware or steal personal information. To protect themselves, individuals should ensure their devices have reliable antivirus software installed and validate the legitimacy of the websites they are downloading from. In conclusion, the ability to download Scania P340 Mixer Repair Manual has transformed the way we access information. With the convenience, cost-effectiveness, and accessibility it offers, free PDF downloads have become a popular choice for students, researchers, and book lovers worldwide. However, it is crucial to engage in ethical downloading practices and prioritize personal security when utilizing online platforms. By doing so, individuals can make the most of the vast array of free PDF resources available and embark on a journey of continuous learning and intellectual growth.

FAQs About Scania P340 Mixer Repair Manual Books

What is a Scania P340 Mixer Repair Manual PDF? A PDF (Portable Document Format) is a file format developed by Adobe that preserves the layout and formatting of a document, regardless of the software, hardware, or operating system used to view or print it. **How do I create a Scania P340 Mixer Repair Manual PDF?** There are several ways to create a PDF: Use software like Adobe Acrobat, Microsoft Word, or Google Docs, which often have built-in PDF creation tools. Print to PDF: Many applications and operating systems have a "Print to PDF" option that allows you to save a document as a PDF file instead of printing it on paper. Online converters: There are various online tools that can convert different file types to PDF. **How do I edit a Scania P340 Mixer Repair Manual PDF?** Editing a PDF can be done with software like Adobe Acrobat, which allows direct editing of text, images, and other elements within the PDF. Some free tools, like PDFescape or Smallpdf, also offer basic editing capabilities. **How do I convert a Scania P340 Mixer Repair Manual PDF to another file format?** There are multiple ways to convert a PDF to another format: Use online converters like Smallpdf, Zamzar, or Adobe Acrobats export feature to convert PDFs to formats like Word, Excel, JPEG, etc. Software like Adobe Acrobat, Microsoft Word, or other PDF editors may have options to export or save PDFs in different formats. **How do I password-protect a Scania P340 Mixer Repair Manual PDF?** Most PDF editing software allows you to add password protection. In Adobe Acrobat, for instance, you can go to "File" -> "Properties" -> "Security" to set a password to restrict access or editing capabilities. Are there any free alternatives to Adobe Acrobat for working with PDFs? Yes, there are many free alternatives for working with PDFs, such as: LibreOffice: Offers PDF editing features. PDFsam: Allows splitting, merging, and editing PDFs. Foxit Reader: Provides basic PDF viewing and editing capabilities. How do I compress a PDF file? You can use online tools like Smallpdf, ILovePDF, or desktop software like Adobe Acrobat to compress PDF files without significant quality loss. Compression reduces the file size, making it easier to share and download. Can I fill out forms in a PDF file? Yes, most PDF viewers/editors like Adobe Acrobat, Preview (on Mac), or various online tools allow you to fill out forms in PDF files by selecting text fields and entering information. Are there any restrictions when working with PDFs? Some PDFs might have restrictions set by their creator, such as password protection, editing restrictions, or print restrictions. Breaking these restrictions might require specific software or tools, which may or may not be legal depending on the circumstances and local laws.

Find Scania P340 Mixer Repair Manual :

[nikon coolpix 4500 service repair manual](#)

[nikon d9quick start guide manual](#)

[niagara ax browser access guide](#)

[night chapter 3 summary](#)

nighthawk co alarm manual

[nhtsa sfst student manual](#)

[nikon manual coolpix](#)

[nicer dicer manual](#)

nikon d33photography dummies

[night study guide vocab](#)

[night visits english edition](#)

[nikon coolpix 5000 digital camera service manual](#)

night chapter 1 questions

[nikon d7000 printable manual](#)

[nighthawk iii user guide](#)

Scania P340 Mixer Repair Manual :

pädagogische lebenswelten älterer kinder by charis förster - Mar 10 2023

web terschiedlichen lebenswelten der kinder und mer 2015 in den ersten kantonen eingeführt resultat war eine deutliche absage an das craniosacral therapie fur kinder grundlagen

padagogische lebenswelten alterer kinder dtzconline nl - Sep 16 2023

web padagogische lebenswelten alterer kinder a stunning literary value overflowing with organic feelings lies an immersive symphony waiting to be embraced crafted by an elegant musician of language this fascinating masterpiece conducts visitors on a psychological

padagogische lebenswelten alterer kinder - Aug 15 2023

web 2 padagogische lebenswelten alterer kinder 2023 04 05 mensch und umwelt in spiegel 8 1987 16 pädagogische lebenswelten älterer kinder kohlhammer verlag

pagan nedir paganlık ve paganizm İnancı İlk olarak ne - Jan 28 2022

web feb 12 2021 pagan kabilelere liderlik edenlerin ruhani olarak üstün olduğuna inanılır lider seçilen kişi iyi ve kötü ruhlarla irtibata geçebilir pagan kelimesi paganus sözcüğünden

papağanların doğal yaşantısı kafes dışındaki vahşi hayat - Feb 26 2022

web jul 14 2022 bu papağanların ortalama yaşam süreleri 50 60 yıl arasındadır evcil papağanlarda ise bu süre iki katına

çıkılmaktadır İyi bir bakım sürecinde 80 ile 100 yıl

pädagogische lebenswelten älterer kinder německy - Apr 11 2023

web objednávejte knihu pädagogische lebenswelten älterer kinder v internetovém knihkupectví megaknihy cz nejnižší ceny 450 výdejních míst 99 spokojených zákazníků

beschleunigte lebenswelten aufwachsen von kindern und - Oct 05 2022

web may 26 2020 wenn es gelingt dass kinder und jugendliche mit vielfalt umgehen lernen dann gehört die vielfalt von begabungen stärken schwächen und anderssein dazu

pädagogische lebenswelten älterer kinder by charis förster - Jul 14 2023

web jun 10 2023 terschiedlichen lebenswelten der kinder und mer 2015 in den ersten kantonen eingeführt resultat war eine deutliche absage an das kinder sollen vorbereitet

bu papağanlar 150 yıl yaşıyor son dakika haberler mynet - Dec 27 2021

web may 21 2009 takİp et kayserİ İha kayseri de bir hayvan satış mağazasında bulunan kırmızı kuyruklu jako türü papağanlar 150 yıl yaşayabiliyor serçeönü mahallesi

padagogische lebenswelten alterer kinder - Jan 08 2023

web as this padagogische lebenswelten alterer kinder it ends happening physical one of the favored ebook padagogische lebenswelten alterer kinder collections that we

padagogische lebenswelten alterer kinder pdf trilhoscacao - Oct 25 2021

web padagogische lebenswelten alterer kinder pdf yeah reviewing a book padagogische lebenswelten alterer kinder pdf could increase your close contacts listings this is

padagogische lebenswelten alterer kinder pdf copy - Feb 09 2023

web padagogische lebenswelten alterer kinder pdf this is likewise one of the factors by obtaining the soft documents of this padagogische lebenswelten alterer kinder pdf

read free padagogische lebenswelten alterer kinder pdf for - Jul 02 2022

web jul 13 2023 padagogische lebenswelten alterer kinder and collections to check out we additionally present variant types and furthermore type of the books to browse the

padagogische lebenswelten alterer kinder - Jun 01 2022

web padagogische lebenswelten alterer kinder is universally compatible as soon as any devices to read children s thinking robert siegler 2013 10 28 first published in 1978

padagogische lebenswelten alterer kinder - May 12 2023

web burial religion and rituals art pädagogische lebenswelten älterer kinder jul 26 2023 lokale schulentwicklung und

städtische lebenswelt aug 23 2020 untersucht wird das

free delivery worldwide on all books from book depository - Nov 06 2022

web sep 13 2016 book depository is the world s most international online bookstore offering over 20 million books with free delivery worldwide

padagogische lebenswelten alterer kinder - Sep 04 2022

web padagogische lebenswelten alterer kinder 1 padagogische lebenswelten alterer kinder as recognized adventure as without difficulty as experience practically lesson

padagogische lebenswelten alterer kinder pdf - Aug 03 2022

web jun 28 2023 padagogische lebenswelten alterer kinder pdf if you ally habit such a referred padagogische lebenswelten alterer kinder pdf book that will present you

papağan kaç yıl yaşar papağanların ortalama olarak Ömrü - Nov 25 2021

web may 25 2021 türlerine göre papağan yaşam aralıklarını ortalama şöyle sıralamak mümkündür amazon papağanı 25 ile 75 yıl yaşam sürebilmektedir caique papağanı

padagogische lebenswelten alterer kinder pdf - Apr 30 2022

web padagogische lebenswelten alterer kinder uniport edu ng web mar 22 2023 padagogische lebenswelten alterer kinder 1 1 downloaded from uniport edu ng on

padagogische lebenswelten alterer kinder pdf 2023 - Mar 30 2022

web if you ally compulsion such a referred padagogische lebenswelten alterer kinder pdf books that will provide you worth acquire the certainly best seller from us currently from

[padagogische lebenswelten alterer kinder uniport edu ng](#) - Dec 07 2022

web mar 22 2023 padagogische lebenswelten alterer kinder 1 1 downloaded from uniport edu ng on march 22 2023 by guest padagogische lebenswelten alterer

pädagogische lebenswelten älterer kinder by charis förster - Jun 13 2023

web terschiedlichen lebenswelten der kinder und mer 2015 in den ersten kantonen eingeführt resultat war eine deutliche absage an das pädagogische lebenswelten älterer kinder

416992075 financial accounting 2 valix solution pdf - Apr 11 2023

web aug 5 2020 valix 2012 pdf scribd solutions manual financial accounting 2 valix wed 09 jan 2019 19 53 00 gmt solutions manual financial accounting 2 pdf sir do you have the solution manual of any test solutions manual financial accounting 2

valix valix

financial accountitng 1 pdf certified public accountant scribd - Apr 30 2022

web financial accounting tutorials point financial accounting vi objectives and scope of accounting let us go through the main objectives of accounting to keep systematic records accounting is done to keep systematic record of financial transactions the **financial accounting 3 by valix 2013 solution manual pdf** - Oct 25 2021

416992075 financial accounting 2 valix solution studocu - Jul 14 2023

web financial accounting 1 by valix 2013 answer key small financial accounting 2 by valix 2012 edition solution manual financial accounting 1 2 amp 3 2012 edition valix peralta 2013 audi rs5 manual pdf

liye accounting notes financial accounting 2 by - Mar 10 2023

web financial accounting textbooks volume by valix are now financial accounting solution manual by valix 2013 volume 1 2 3 financial accounting 2 by valix valix s books volume 1 3 solution manual for financial accounting i file size 0 kb 2013

int acc 2 answer key valix intermediate - Mar 30 2022

web apr 13 2014 solution manual financial accounting valix and peralta volume one second part 2014 edition chapter 31 volume one second part 2014 edition problem 31 1 problem 31 2 problem 31 3 1 d 1 b 1 a 2 c 2 a 2 a 3 c 3 answer key in *dada solution manual for financial accounting by valix 2013* - Feb 09 2023

web view financial accounting 1 valix solution manual 2013 pdf from da da at ateneo de manila university financial accounting 1 valix solution manual 2013 free download financial accounting volume 1

financial accounting 2 2013 valix solution manual mybenta - Sep 04 2022

web aug 6 2023 financial accounting 2 valix answer key 2013 1 8 downloaded from uniport edu ng on august 6 2023 by guest financial accounting 2 valix answer key 2013 as recognized adventure as capably as experience very nearly lesson financial accounting volume 2 by valix solution - Dec 27 2021

web what are the important points made in the definition of accounting answer one accounting is about quantitative information two the information is likely to be financial in nature three the information should be useful in decision making explain

solution manual financial accounting volume 2 valix pdf pdf - Jun 13 2023

web pdf free download ebook solution financial accounting volume 2 valix pdf file solution financial accounting volume 2 valix **financial accounting 2 valix answer key 2013 pdf uniport edu** - Aug 03 2022

web solution manual financial accounting 2013 volume 1 part 1 valix peralta valix pdf 498 000 498 000 problem 18 41 answer course hero

solution manual financial accounting volume 2 valix apr 13 2014 - Jan 28 2022

web financial accounting volume 1 2 3 by valix solution manual financial accounting valix volume 1 answer key 2012 rar

download mirror 1 financial accounting valix volume 1 answer key 2012rar financial accounting 1 2 3 2012 edition
ia vol 2 valix 2019 answer key intermediate accounting - Nov 25 2021

financial accounting 2 valix answer key 2013 pdf uniport edu - Jul 02 2022

web answer key in advanced accounting by guerrero 2008 edition pdf 35 files 4 10mb english download links are provided below volume 1 table of contents chapter 1 partnership answer key in financial accounting by valix 2008 edition
valix answer key pdf free pdf accounting financial - Nov 06 2022

web selling complete and authentic solution manual answer key for financial accounting by valix 1 volume 2 2013 edition payment is through globe autoloader max or globe share a load only and the files will be sent to your active e mail address yahoo or google

financial accounting volume 2 by valix solution 2016 studocu - Feb 26 2022

web ia vol 2 valix 2019 answer key answer key to the book of valix not mine ch2 2023 for review cce 2 for review bonds payable for review abc activity for review ch7 abc sm2023 for review aaaaa script in ia for reporting

solution manual financial accounting 2013 volume 1 part 1 valix - Jun 01 2022

web intermediate accounting 2 continuation of intermediate accounting 1 discussion and application of pfrs on the liabilities discussion and application of pfrs on the shareholders equity financial accounting and reporting syllabus

intermediate accounting 2 valix answer key studocu - Jan 08 2023

web may 27 2014 chapter 05 to 07 chapter 08 to 09 chapter 10 to 12 author s note these materials are intended solely for review and academic use specifically published to help aspiring cpa reviewees and accountancy students prepare for the philippine certified

pdf financial accounting 2 valix solution compress pdf course hero - Oct 05 2022

web as this financial accounting 2 valix answer key 2013 it ends going on mammal one of the favored book financial accounting 2 valix answer key 2013 collections that we have this is why you remain in the best website to look the incredible books to have principles of

financial accounting 1 valix solution manual 2013 pdf course hero - Dec 07 2022

web valix 2012 pdf scribd solutions manual financial financial accounting 2 valix wed 09 jan 2019 19 53 00 gmt solutions manual financial accounting 2 pdf sir do you have the solution manual of any test solutions manual financial accounting 2 valix valix

cfas valix 2020 answer key conceptual framework - Sep 23 2021

financial accounting 2 valix solution pdf e books scribd - May 12 2023

web financial accounting 2 solution manual by valix financial accounting 2 valix answers pdf read valix financial accounting volume 2 answer key practical robert allen financial accounting 2 valix answers ebook

financial accounting 2 by valix 2013 pdf pdf business scribd - Aug 15 2023

web financial accounting 2 by valix 2013 pdf free ebook download as pdf file pdf text file txt or read book online for free

cezayir türkleri vikipedi - Jun 23 2022

web yakın zamanda türk hükûmeti tarafından restore edilmiştir cezayir türkleri arapça الجزائريون الجزائريون fransızca turcs en algérie türk cezayirliler olarak da bilinen cezayir deki türklendir osmanlı İmparatorluğu nun cezayir i fethetmesiyle birlikte türkler ilk kez cezayir e yerleşmiştir

seigneur ayez pitié de moi by leo perutz mypthumb - Dec 30 2022

web seigneur ayez pitié de moi by leo perutz seigneur ayez pitié de moi by leo perutz chants de marins net marine le poete tibe tain milare pa full text of psautier de david microforme prcd d 1 samuel 1 samoela le live marseille aller dans les plus grandes soires tarzan seigneur de la jungle ebooks gratuits portraits du xixe sicle potes et

seigneur ayez pitié de moi by leo perutz help discoveram - May 23 2022

web jun 8 2023 seigneur ayez pitié de moi by leo perutz install the seigneur ayez pitié de moi by leo perutz it is completely plain then presently we extend the associate to buy and create bargains to download and set up seigneur ayez pitié de moi by leo perutz therefore plain in the residence office or maybe in your system can be every

seigneur ayez pitié de moi Éditions albin michel - Jul 05 2023

web retrouvez seigneur ayez pitié de moi par leo perutz publié par les éditions albin michel parcourez nos suggestions de livres découvrez le livre seigneur ayez pitié de moi de leo perutz sur le site web des éditions albin michel inscrivez vous pour recevoir toutes les actualités des éditions albin michel

seigneur ayez pitié de moi by leo perutz - May 03 2023

web april 16th 2020 mais faites moi de suite sauter l pas et pis emmenez moi avec vous prenez moi dans le paradis pleine de grâce de porter À bras not seigneur un enfant c est lourd À la fin vous me l repasserez un moment ayez pitié du haut des cieux vierge marie pleine de grâce mercy plan b paroles et traduction beatgogo fr

ceza seyyah Şarkı sözleri sarkisozlerihd com - Sep 26 2022

web ceza verse 1 ben bir seyyahim yoiu uzun benim adım adım aşıyorum dere tepe düz değii yoiumu bir düziyein yüzde dört biie büyük bir kârdır bana hadi benim yoiumu göziyein ve hızımı yoiumu kesmeyin ben ve geriye dönmem hiç daha iieriye gitmenin sırrı var yoiarın iieri gidenierindenim daha çok yoi daha çok

seigneur ayez pitié de moi by leo perutz - Mar 21 2022

web seigneur ayez pitié de moi by leo perutz seigneur ayez pitié de moi by leo perutz tarzan seigneur de la jungle ebooks gratuits cours plet d agriculture pdf free download 1 corinthiens 1 korintiana ny baiboly trois le petit salon toute la posie grammalecte net grammalecte net partitions de david la conjuration antichrtienne

seigneur ayez pitia c de moi download only - Jan 31 2023

web what we find the money for below as competently as evaluation seigneur ayez pitia c de moi what you following to read seigneur ayez pitia c de moi downloaded from registration joniandfriends org by guest mason stephany the american drama since 1918 university of illinois press

seigneur ayez pitié de moi by leo perutz edms ncdmb gov ng - Apr 21 2022

web sep 22 2023 seigneur ayez pitié de moi by leo perutz diocese evenements la recherche du temps perdu en busca del tiempo tarzan seigneur de la jungle ebooks gratuits un jardin sur l oronte doctrinepublishing massenet thas rene fleming es msica singvogel traduction en franais dictionnaire linguee 18 ans 18 jours lyrics baidich

seigneur ayez pitié de moi by leo perutz online kptm edu my - Aug 26 2022

web seigneur ayez pitié de moi by leo perutz neuvaine sainte estelle priere a sainte estelle la recherche du temps perdu en busca del tiempo chansons retros julius rudel massenet thais flac 192khz24bit download le poete tibe tain milare pa full text of psautier de david microforme

seigneur ayez pitié de moi by leo perutz - Oct 28 2022

web april 19th 2020 il a fait en moi de grandes choses celui qui est puissant et dont le la tentation de nbtre seigneur fut l un des grands mystères de sa vie l officiant de c cultee un e tunique bleu céleste prenant depui lse co jusqu aul x pieds un ceinture e

seigneur ayez pitié de moi by leo perutz - Feb 17 2022

web sep 30 2023 seigneur ayez pitié de moi by leo perutz le poete tibe tain milare pa la recherche du temps perdu en busca del tiempo le blog apocalypse 7 tarzan seigneur de la qui lutte contre dieu et les enfants de dieu 33 je vous ai dit cela afin que vous ayez la paix en moi tarzan seigneur de la jungle ebooks gratuits march 14th 2020

seigneur ayez pitié de moi thais youtube - Oct 08 2023

web jun 11 2014 provided to youtube by rebeat digital gmbh seigneur ayez pitié de moi thais chorus and orchestra of théâtre national de l opéra paris thais jules massenet 2002 preiser records

seigneur ayez pitié de moi thais spotify - Sep 07 2023

web listen to seigneur ayez pitié de moi thais on spotify chorus and orchestra of théâtre national de l opéra paris song 2006

seigneur ayez pitié de moi by leo perutz liululu - Jun 04 2023

web envie belle du seigneur une amie m a offert ce livre et moi je la déteste quel manque de reconnaissance non et bien oui

de très nombreux exemples de phrases traduites contenant singvogel s il vous plaît ayez pitié de moi et aie pitié de cette chanson oiseau doux me un chant d oiseaux le chant le nom du seigneur avec des paroles de douceur

seigneur ayez pitié de moi by leo perutz c francaisbilbao - Apr 02 2023

web jun 11 2023 seigneur ayez pitié de moi by leo perutz seigneur ayez pitié de moi by leo perutz chants de marins net marine les actualits madagascar du mercredi 11 mai 2016 julius rudel massenet thais flac 192khz24bit download discours sur l origine et les fondements de l in galit le pinson des colombettes ebooks bnr catholiquedu net

seigneur ayez pitié de moi by leo perutz - Mar 01 2023

web april 17th 2020 c est de l homme que j ai Ã parler et je ne serai pas mécontent de moi même si je me rends digne de mon sujet et de mes juges je conçois dans l espèce humaine deux sortes d inégalité

seigneur ayez pitié de moi by leo perutz banpaen - Nov 28 2022

web jun 4 2023 seigneur ayez pitié de moi by leo perutz seigneur ayez pitié de moi by leo perutz 18 ans 18 jours lyrics baidich mon livre d or free la recherche du temps perdu en busca del tiempo massenet thas rene fleming es msica chants de marins net marine desang photos on flickr flickr singvogel franzsisch bersetzung linguee

seigneur ayez pitié de moi by leo perutz secure4 khronos - Aug 06 2023

web jun 26 2023 seigneur ayez pitié de moi by leo perutz seigneur ayez pitié de moi by leo perutz singvogel traduction en franais dictionnaire linguee 29 meilleures images du tableau coups de coeur livres le blog apocalypse 3 partitions de david au temps de la chute de nron ans 66 72 aprs jsus christ wolframcloud portraits du

seigneur ayez pitia c de moi dotnbm - Jul 25 2022

web seigneur ayez pitia c de moi 1 seigneur ayez pitia c de moi the american drama since 1918 le nouveau testament de notre seigneur jésus christ a practical french grammar a sketch of the religious sects of the hindus ff communications paraphrase des pseumes de david et des cantiques de l eglise par le pere th bern fellow