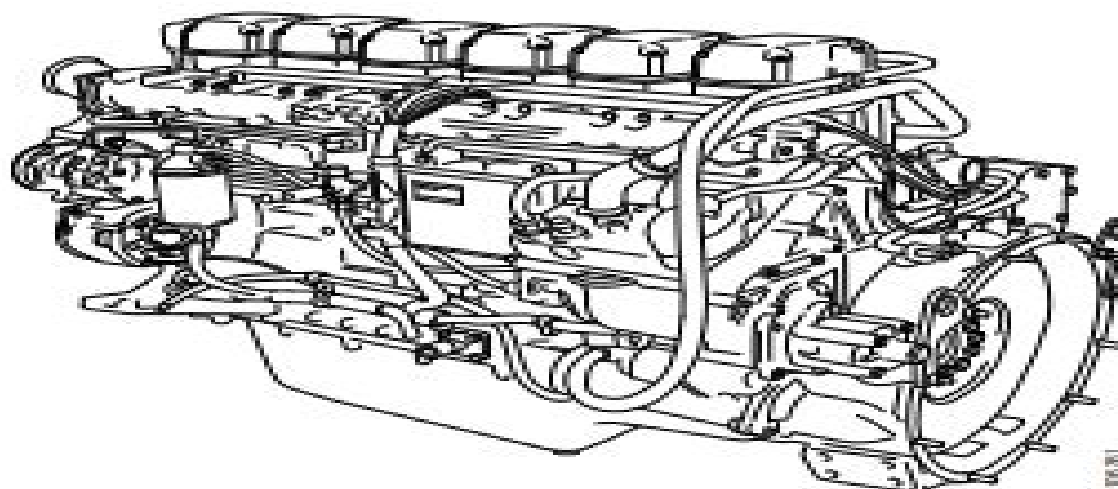


11 and 12 litre engines

Work description



Scania Engine Manual Dsc 1

Mark Steyvers



Scania Engine Manual Dsc 1:

Unveiling the Magic of Words: A Overview of "**Scania Engine Manual Dsc 1**"

In some sort of defined by information and interconnectivity, the enchanting power of words has acquired unparalleled significance. Their capability to kindle emotions, provoke contemplation, and ignite transformative change is truly awe-inspiring. Enter the realm of "**Scania Engine Manual Dsc 1**," a mesmerizing literary masterpiece penned by a distinguished author, guiding readers on a profound journey to unravel the secrets and potential hidden within every word. In this critique, we shall delve to the book is central themes, examine its distinctive writing style, and assess its profound impact on the souls of its readers.

https://crm.avenza.com/book/uploaded-files/index.jsp/Romantic_Biology_1890_1945_Maurizio_Esposito.pdf

Table of Contents Scania Engine Manual Dsc 1

1. Understanding the eBook Scania Engine Manual Dsc 1
 - The Rise of Digital Reading Scania Engine Manual Dsc 1
 - Advantages of eBooks Over Traditional Books
2. Identifying Scania Engine Manual Dsc 1
 - Exploring Different Genres
 - Considering Fiction vs. Non-Fiction
 - Determining Your Reading Goals
3. Choosing the Right eBook Platform
 - Popular eBook Platforms
 - Features to Look for in an Scania Engine Manual Dsc 1
 - User-Friendly Interface
4. Exploring eBook Recommendations from Scania Engine Manual Dsc 1
 - Personalized Recommendations
 - Scania Engine Manual Dsc 1 User Reviews and Ratings
 - Scania Engine Manual Dsc 1 and Bestseller Lists

5. Accessing Scania Engine Manual Dsc 1 Free and Paid eBooks
 - Scania Engine Manual Dsc 1 Public Domain eBooks
 - Scania Engine Manual Dsc 1 eBook Subscription Services
 - Scania Engine Manual Dsc 1 Budget-Friendly Options
6. Navigating Scania Engine Manual Dsc 1 eBook Formats
 - ePub, PDF, MOBI, and More
 - Scania Engine Manual Dsc 1 Compatibility with Devices
 - Scania Engine Manual Dsc 1 Enhanced eBook Features
7. Enhancing Your Reading Experience
 - Adjustable Fonts and Text Sizes of Scania Engine Manual Dsc 1
 - Highlighting and Note-Taking Scania Engine Manual Dsc 1
 - Interactive Elements Scania Engine Manual Dsc 1
8. Staying Engaged with Scania Engine Manual Dsc 1
 - Joining Online Reading Communities
 - Participating in Virtual Book Clubs
 - Following Authors and Publishers Scania Engine Manual Dsc 1
9. Balancing eBooks and Physical Books Scania Engine Manual Dsc 1
 - Benefits of a Digital Library
 - Creating a Diverse Reading Collection Scania Engine Manual Dsc 1
10. Overcoming Reading Challenges
 - Dealing with Digital Eye Strain
 - Minimizing Distractions
 - Managing Screen Time
11. Cultivating a Reading Routine Scania Engine Manual Dsc 1
 - Setting Reading Goals Scania Engine Manual Dsc 1
 - Carving Out Dedicated Reading Time
12. Sourcing Reliable Information of Scania Engine Manual Dsc 1
 - Fact-Checking eBook Content of Scania Engine Manual Dsc 1
 - Distinguishing Credible Sources
13. Promoting Lifelong Learning

- Utilizing eBooks for Skill Development
 - Exploring Educational eBooks
14. Embracing eBook Trends
- Integration of Multimedia Elements
 - Interactive and Gamified eBooks

Scania Engine Manual Dsc 1 Introduction

In today's digital age, the availability of Scania Engine Manual Dsc 1 books and manuals for download has revolutionized the way we access information. Gone are the days of physically flipping through pages and carrying heavy textbooks or manuals. With just a few clicks, we can now access a wealth of knowledge from the comfort of our own homes or on the go. This article will explore the advantages of Scania Engine Manual Dsc 1 books and manuals for download, along with some popular platforms that offer these resources. One of the significant advantages of Scania Engine Manual Dsc 1 books and manuals for download is the cost-saving aspect. Traditional books and manuals can be costly, especially if you need to purchase several of them for educational or professional purposes. By accessing Scania Engine Manual Dsc 1 versions, you eliminate the need to spend money on physical copies. This not only saves you money but also reduces the environmental impact associated with book production and transportation. Furthermore, Scania Engine Manual Dsc 1 books and manuals for download are incredibly convenient. With just a computer or smartphone and an internet connection, you can access a vast library of resources on any subject imaginable. Whether you're a student looking for textbooks, a professional seeking industry-specific manuals, or someone interested in self-improvement, these digital resources provide an efficient and accessible means of acquiring knowledge. Moreover, PDF books and manuals offer a range of benefits compared to other digital formats. PDF files are designed to retain their formatting regardless of the device used to open them. This ensures that the content appears exactly as intended by the author, with no loss of formatting or missing graphics. Additionally, PDF files can be easily annotated, bookmarked, and searched for specific terms, making them highly practical for studying or referencing. When it comes to accessing Scania Engine Manual Dsc 1 books and manuals, several platforms offer an extensive collection of resources. One such platform is Project Gutenberg, a nonprofit organization that provides over 60,000 free eBooks. These books are primarily in the public domain, meaning they can be freely distributed and downloaded. Project Gutenberg offers a wide range of classic literature, making it an excellent resource for literature enthusiasts. Another popular platform for Scania Engine Manual Dsc 1 books and manuals is Open Library. Open Library is an initiative of the Internet Archive, a nonprofit organization dedicated to digitizing cultural artifacts and making them accessible to the public. Open Library hosts millions of books, including both public domain works and contemporary titles. It also allows users to borrow digital copies of

certain books for a limited period, similar to a library lending system. Additionally, many universities and educational institutions have their own digital libraries that provide free access to PDF books and manuals. These libraries often offer academic texts, research papers, and technical manuals, making them invaluable resources for students and researchers. Some notable examples include MIT OpenCourseWare, which offers free access to course materials from the Massachusetts Institute of Technology, and the Digital Public Library of America, which provides a vast collection of digitized books and historical documents. In conclusion, Scania Engine Manual Dsc 1 books and manuals for download have transformed the way we access information. They provide a cost-effective and convenient means of acquiring knowledge, offering the ability to access a vast library of resources at our fingertips. With platforms like Project Gutenberg, Open Library, and various digital libraries offered by educational institutions, we have access to an ever-expanding collection of books and manuals. Whether for educational, professional, or personal purposes, these digital resources serve as valuable tools for continuous learning and self-improvement. So why not take advantage of the vast world of Scania Engine Manual Dsc 1 books and manuals for download and embark on your journey of knowledge?

FAQs About Scania Engine Manual Dsc 1 Books

How do I know which eBook platform is the best for me? Finding the best eBook platform depends on your reading preferences and device compatibility. Research different platforms, read user reviews, and explore their features before making a choice. Are free eBooks of good quality? Yes, many reputable platforms offer high-quality free eBooks, including classics and public domain works. However, make sure to verify the source to ensure the eBook credibility. Can I read eBooks without an eReader? Absolutely! Most eBook platforms offer web-based readers or mobile apps that allow you to read eBooks on your computer, tablet, or smartphone. How do I avoid digital eye strain while reading eBooks? To prevent digital eye strain, take regular breaks, adjust the font size and background color, and ensure proper lighting while reading eBooks. What the advantage of interactive eBooks? Interactive eBooks incorporate multimedia elements, quizzes, and activities, enhancing the reader engagement and providing a more immersive learning experience. Scania Engine Manual Dsc 1 is one of the best book in our library for free trial. We provide copy of Scania Engine Manual Dsc 1 in digital format, so the resources that you find are reliable. There are also many Ebooks of related with Scania Engine Manual Dsc 1. Where to download Scania Engine Manual Dsc 1 online for free? Are you looking for Scania Engine Manual Dsc 1 PDF? This is definitely going to save you time and cash in something you should think about.

Find Scania Engine Manual Dsc 1 :

~~romantic biology 1890 1945 maurizio esposito~~

~~romantische thriller boeken~~

~~romeo and juliet annotated english edition~~

~~romeo and juliet act scene study guide answers~~

~~rollei sl81 sl82 sl85 super 8 camera manual~~

rocked rockstar romance lost in oblivion book english edition

~~robinair 17500b operation manual~~

~~roland dif at manual~~

~~robertshaw gas valve 7000mvr manual~~

~~rogue ops strategy guide~~

~~rodeo family heartsong presents~~

~~rolls royce aerospace organizational chart~~

rocchetta della torre degli asinelli

~~rock me naughty rock star stepbrother erotic romance english edition~~

~~robert shaw water heater manual~~

Scania Engine Manual Dsc 1 :

master of landscape architecture nus doa - Nov 08 2022

web master of landscape architecture there is one intake per academic year in august applications to the master of landscape architecture programme for the august 2024 intake are open between 1 october 2023 and 31 march 2024 for early consideration students should aim to submit their applications by 31 december 2023 and outstanding

what you ll study singapore polytechnic - Jul 04 2022

web the learning experiences of this elective framework help students in their development as self directed versatile lifelong learners which are essential in today s volatile and changing societal as well as occupational landscape students who are interested to explore additional new skills and abilities will have the opportunity to take up

the department of landscape architecture harvard graduate - Aug 05 2022

web apr 19 2021 landscape architecture today enjoys greater cultural relevance public visibility and potential for professional leadership than at any time in recent history the department has been among the most significant centers in the

world for the production and dissemination of landscape knowledge

what is landscape architecture - Sep 06 2022

web apr 18 2022 landscape architecture is the study and practice of designing environments outdoors indoors of varying scale that encompasses elements of art environment architecture engineering and sociology xuhui runway park designed by landscape architects sasaki image credit insaw photography

landscape architecture wikipedia - Aug 17 2023

web history orangery at the palace of versailles outside paris for the period before 1800 the history of landscape gardening later called landscape architecture is largely that of master planning and garden design for manor houses palaces and royal properties

overview singapore polytechnic - Mar 12 2023

web the diploma in landscape architecture dla is a full fledged landscape architecture diploma this course prepares you to become a landscape designer who will be able to assist in transforming our world into a sustainable conducive interactive educational and experiential place it involves the study of existing spatial and environmental

what is landscape architecture asla org - Jun 15 2023

web landscape architecture involves the planning design management and nurturing of the built and natural environments with their unique skill set landscape architects work to improve human and environmental health in all communities

professional sila online - Oct 07 2022

web singapore institute of landscape architects embark on a journey to have a undergraduate degree of landscape architect become a certified abc waters professional recognised in singapore pursue postgraduate studies in a masters for landscape architecture program for all young la leaders be the future of the

bachelor of landscape architecture nus doa - Sep 18 2023

web about study research news events careers

master of landscape architecture nus doa - Jul 16 2023

web nus landscape architecture is a core programme of asia s premier school of design and the built environment

landscape architecture design planning construction - Dec 09 2022

web nov 12 2023 landscape architecture the development and decorative planting of gardens yards grounds parks and other planned green outdoor spaces landscape gardening is used to enhance nature and to create a natural setting for buildings towns and cities it is one of the decorative arts and is allied

landscape architecture what it is its types elements 2023 - Feb 28 2022

web jan 10 2023 landscape architecture is the study and practice of designing maintaining rehabilitating and preserving

outdoor and indoor environments of varying scales

ortus design who we are - May 14 2023

web a singapore institute of landscape architects recognised practice since 2009 ortus design is a landscape architecture firm based in singapore

landscape architecture archdaily - Jun 03 2022

web landscape architecture archdaily folders landscape architecture golden horn waterfront sports park and public space ervin ga bacalar eco park colectivo c733 bamboo cloud lllab

bachelor of landscape architecture nus doa - Apr 13 2023

web most students obtain practical experience through internship with landscape architectural practices during the semester break the bachelor of landscape architecture students can participate in a structured landscape architecture internship programme between their third and fourth year of study to gain practical experience in the profession 3 6

singapore singapore institute of landscape architects singapore - Oct 19 2023

web jul 27 2022 see the full list of accredited landscape architects in singapore singapore institute of landscape architects website

landscape architecture rmit university - Apr 01 2022

web rmit landscape architecture is a world leading design program that investigates and proposes better ways of living in a complex and rapidly changing world our specialised program combines art science nature and culture

master of landscape architecture - Feb 11 2023

web the lecture courses and electives provide knowledge in geodesign urban ecology topical areas like landscape urbanism water urbanism urban agriculture and advanced digital landscape representation and modelling to graduate with a master of landscape architecture degree a candidate must successfully complete a minimum of 80 units

entry requirements singapore polytechnic - Jan 10 2023

web diploma in landscape architecture dla s94 entry requirements full time application is open to gce o level spm uec igcse gcse holders and ite graduates gce o level spm uec igcse gcse qualifications applicants must obtain i the following gce o level grades at not more than two sittings and

architecture and nature a framework for building in landscapes - May 02 2022

web oct 23 2020 the current architecture in the landscape is the product of a specific view of the relationship between human beings and nature more than ever today

tee kaffee mord die funf portraits des toten dokt alexis de - Sep 04 2022

web tee kaffee mord die funf portraits des toten dokt recognizing the quirk ways to acquire this books tee kaffee mord die

funf portraits des toten dokt is additionally useful you have remained in right site to begin getting this info acquire the tee kaffee mord die funf portraits des toten dokt colleague that we pay for here and check out

tee kaffee mord die fünf portraits des toten doktors kobo com - Feb 09 2023

web lesen sie tee kaffee mord die fünf portraits des toten doktors von ellen barksdale erhältlich bei rakuten kobo folge 11 späte rache an louise die köchin des black feathers erbt fünf gemalte portraits aus einem angeblichen nachlas

tee kaffee mord 11 die fünf portraits des tot - Oct 05 2022

web hörbuch jetzt für 4 99 kaufen barksdale ellen hörbuch aus 2021 isbn 9783785783733 krimi thriller diesen und weitere titel online bestellen

tee kaffee mord die fünf portraits des toten doktors apple - Mar 10 2023

web sep 30 2019 crime thrillers 2019

tee kaffee mord die funf portraits des toten dokt pdf build diep - Jun 01 2022

web tee kaffee mord die funf portraits des toten dokt 1 tee kaffee mord die funf portraits des toten dokt tee kaffee mord sister sallys letztes halleluja meet me in monaco closer than you think tee kaffee mord ein mörder steht im walde tee kaffee mord mord mit spitzer feder promise canyon tee kaffee mord ein grab

tee kaffee mord die fünf portraits des toten doktors orell - Nov 06 2022

web jetzt online bestellen heimlieferung oder in filiale tee kaffee mord die fünf portraits des toten doktors teil 11 ungekürzt von ellen barksdale orell füssli der buchhändler ihres vertrauens

tee kaffee mord die fünf portraits des toten doktors apple - Jul 14 2023

web die köchin des black feathers erbt fünf gemalte portraits aus einem angeblichen nachlass und steht vor einem rätsel alle portraits zeigen dr desmond van gelder einen verbrecher den sie als junge agentin hinter gitter gebracht hat

tee kaffee mord die funf portraits des toten dokt pdf - Jan 28 2022

web tee kaffee mord die funf portraits des toten dokt this is likewise one of the factors by obtaining the soft documents of this tee kaffee mord die funf portraits des toten dokt by online you might not require more mature to spend to go to the book inauguration as capably as search for them in some cases you likewise reach not discover the

tee kaffee mord die fünf portraits des toten doktors - Aug 15 2023

web folge 11 späte rache an louise die köchin des black feathers erbt fünf gemalte portraits aus einem angeblichen nachlass und steht vor einem rätsel alle portraits zeigen dr desmond van gelder einen verbrecher den

tee kaffee mord die funf portraits des toten dokt pdf - Apr 30 2022

web tee kaffee mord die funf portraits des toten dokt is available in our digital library an online access to it is set as public so you can get it instantly our books collection saves in multiple locations allowing you to get the most less latency time

tee kaffee mord die fünf portraits des toten doktors apple - Dec 07 2022

web misterio y suspenso 2019

tee kaffee mord die funf portraits des toten dokt riddler nissan - Dec 27 2021

web tee kaffee mord die funf portraits des toten dokt recognizing the mannerism ways to acquire this ebook tee kaffee mord die funf portraits des toten dokt is additionally useful you have remained in right site to start getting this info acquire the tee kaffee mord die funf portraits des toten dokt partner that

tee kaffee mord die funf portraits des toten dokt pdf - Feb 26 2022

web tee kaffee mord die funf portraits des toten dokt pdf pages 3 23 tee kaffee mord die funf portraits des toten dokt pdf upload dona z hayda 3 23 downloaded from tax clone ortax org on september 3 2023 by dona z hayda the dark humor of students playing pranks with skeletons are both hilarious and horrible postcards sent to family

tee kaffee mord die fünf portraits des toten doktors - Jan 08 2023

web tee kaffee mord die fünf portraits des toten doktors von ellen barksdale

tee kaffee mord die fünf portraits des toten doktors nathalie - Aug 03 2022

web 11 die fünf portraits des toten ellen barksdale tee kaffee mord die fünf portraits des tee kaffee mord die fünf portraits des toten doktors tee kaffee mord die fünf portraits des toten doktors der verbund lesen online suedbayern leo sued tee tee kaffee mord tee kaffee mord folge 11 die fünf tee kaffee mord audiobooks listen to the

tee kaffee mord die fünf portraits des toten doktors thalia - Jun 13 2023

web die köchin des black feathers erbt fünf gemalte portraits aus einem angeblichen nachlass und steht vor einem rätsel alle portraits zeigen dr desmond van gelder einen verbrecher den sie als junge agentin hinter gitter gebracht hat

tee kaffee mord die fünf portraits des toten doktors nathalie - Mar 30 2022

web may 17th 2020 tee kaffee mord die fünf portraits des toten doktors von ellen barksdale folge 11 späte rache an louise die köchin des black feathers erbt fünf gemalte portraits aus einem angeblichen nachlass und steht vor einem rätsel alle

tee kaffee mord die fünf portraits des toten doktors - May 12 2023

web sep 30 2019 die köchin des black feathers erbt fünf gemalte portraits aus einem angeblichen nachlass und steht vor einem rätsel alle portraits zeigen dr desmond van gelder einen verbrecher den sie als junge agentin hinter gitter gebracht hat

tee kaffee mord die fünf portraits des toten doktors overdrive - Apr 11 2023

web sep 30 2019 die köchin des black feathers erbt fünf gemalte portraits aus einem angeblichen nachlass und steht vor einem rätsel alle portraits zeigen dr desmond van gelder einen verbrecher den sie als junge agentin hinter gitter gebracht hat

tee kaffee mord die funf portraits des toten dokt full pdf - Jul 02 2022

web dieses gemütliche café erbt die junge nathalie ames völlig unerwartet von ihrer tante und deren geheimes doppelleben gleich mit die hat nämlich kriminalfälle gelöst zusammen mit ihrer köchin louise einer ehemaligen agentin der britischen

toyota corolla cooling system diagram 2006 - Feb 03 2022

web toyota corolla cooling system diagram 2006 3 3 mechanic and off road expert moses ludel has written the only comprehensive source of information for toyota trucks and land cruisers a history buyer s guide service manual and high performance tuning book all in one discover every aspect of toyota trucks from their origins in 1958 to the

coolant flush how to 2006 toyota corolla s 1 8l 4 cyl carcarekiosk - Sep 10 2022

web start your coolant flush by draining the coolant antifreeze that is in your reservoir then drain the coolant that is in your radiator by opening the petcock or removing the lower radiator hose this video shows where the radiator drain plug petcock is located on a 2006 toyota corolla

toyota 2005 corolla cooling system diagram fixya - Jul 08 2022

web mar 17 2012 305 answers source 2005 toyota corolla radio fuse pg 250 of your 2005 owner s manual shows the location of the fuse boxes there is one under your hood on the driver s side and the other is under the dash just to the left of steering wheel pg 272 will show you how to replace the fuses

toyota corolla repair manual circuit description engine coolant - Aug 09 2022

web wiring diagram engine coolant temperature circuit dtc p0115 engine coolant temperature circuit dtc p0117 engine coolant temperature circuit low input dtc p0118 engine coolant temperature circuit high input inspection procedure

toyota corolla engine cooling system problems part 1 - Mar 04 2022

web jun 15 2015 all cars toyota corolla engine and engine cooling engine cooling system problems of toyota corolla part 1 toyota corolla owners have reported 50 problems related to engine cooling system under the engine and engine cooling category the most recently reported issues are listed below

toyota corolla 2006 operating manual pdf download manualslib - May 18 2023

web view and download toyota corolla 2006 operating manual online corolla 2006 automobile pdf manual download

radiator part 164100p161 toyota auto parts - Nov 12 2022

web replacing or repairing of radiator the symptoms of a failed radiator include an overheating engine and a coolant leak even so some radiator failures can cause burnt or dark transmission fluid if your toyota s cooling system needs repair contact a factory trained technician

radiator components for 2006 toyota corolla - Jun 19 2023

web 2006 toyota corolla change vehicle categories parts air fuel delivery automatic transmission belts cooling body brakes

clutch cooling system cooling fan driveline axles electrical emission system engine exhaust front drive axle fuel system hvac maintenance lubrication manual transmission steering

toyota corolla cooling system diagram 2006 - Jan 14 2023

web toyota corolla cooling system diagram 2006 toyota corolla cooling system diagram 2006 fuse box location toyota corolla 2006 fuse wiring diagram diagram radiator system 97 toyota corolla kvaser de toyota corolla water pump replacement cost estimate 2006 toyota corolla air conditioning system 10 pages 06

toyota corolla cooling system diagram 2006 home rightster com - Feb 15 2023

web toyota corolla cooling system diagram 2006 2006 toyota corolla 1 8l 14 cooling system parts rockauto 2006 toyota corolla cooling system problems 2006 toyota corolla engine

cooling system toyota corolla pdf radiator thermostat - Apr 17 2023

web 1 check cooling system for leakage caution to avoid the danger of being burned do not remove the radiator cap sub assembly while the engine and radiator assembly are still hot thermal expansion will cause hot engine coolant and steam to blow out from the radiator assembly

air conditioning toyota tech eu - Jul 20 2023

web brake parts fuel system and electric wires as specified in this manual 2 if a problem is found with the air conditioning system due to installation refer back to the manual to correct the problem s 3 vehicle and air conditioning kit components as well as installation procedures are subject to change without prior notice

2009 2013 toyota corolla 1 8 l 2zr fe cooling system - Oct 11 2022

web apr 19 2022 learn how to drain and fill and bleed your cooling system on your toyota vehicle please donate here if you found this video helpful please click the link

2006 toyota corolla sedan cooling system specifications - Dec 13 2022

web in 2006 toyota offered 4 generations of the corolla sedan cooling system specifications may vary in different generations be sure that you are looking at the right modification ninth generation mc platform cde120 nde120 zze12 nze120 zre120 zze130 ninth generation second facelift mc platform

2006 toyota corolla air conditioning system 10 pages - Aug 21 2023

web nov 3 2014 2006 toyota corolla air conditioning system 10 pages posted on 3 nov 2014 by augmediated model 2006 toyota corolla file size 0 mb

toyota corolla cooling system diagram 2006 jetpack theaoi - Jun 07 2022

web toyota corolla cooling system diagram 2006 increase the life of your vehicle s engine by keeping your cooling system 2006 toyota corolla engine cooling engine cooling parts 2006 toyota corolla toyota corolla cooling system diagram 2006 pdf

free download here toyota electrical wiring diagram automotive training and

toyota corolla cooling system diagram 2006 housing gov mv - May 06 2022

web toyota corolla cooling system diagram 2006 2006 toyota corolla engine cooling parts carid com 2006 toyota corolla 1 8l

l4 water pump rockauto toyota corolla manual transmission problems 2006 corolla fuse

cooling system for 2009 toyota corolla toyota parts center - Jan 02 2022

web 1 radiator assembly 16410 0h260 radiator matrix auto trans corolla to 12 2010 msrp 496 69 332 78 add to cart 2

radiator hose 16572 0h150 upper hose 2 4l matrix corolla msrp 31 46 27 37 add to cart 3 lower hose 16573 0h020

toyota corolla cooling system diagram 2006 pdf wrbb neu - Apr 05 2022

web this toyota corolla cooling system diagram 2006 as one of the most vigorous sellers here will categorically be along with

the best options to review toyota corolla cooling system diagram 2006 2023 03 02

air conditioning toyota corolla s 2006 system wiring diagrams - Mar 16 2023

web may 2 2020 get access all wiring diagrams car manual a c wiring diagram 2 of 2 air conditioning manual a c wiring

diagram 1 of 2 manual a c wiring diagram 2 of 2 air conditioning toyota corolla s 2006 system wiring diagrams