

COMPONENT PARTS CATALOG

SAVAGE - STEVENS - FOX - SPRINGFIELD
SPORTING ARMS



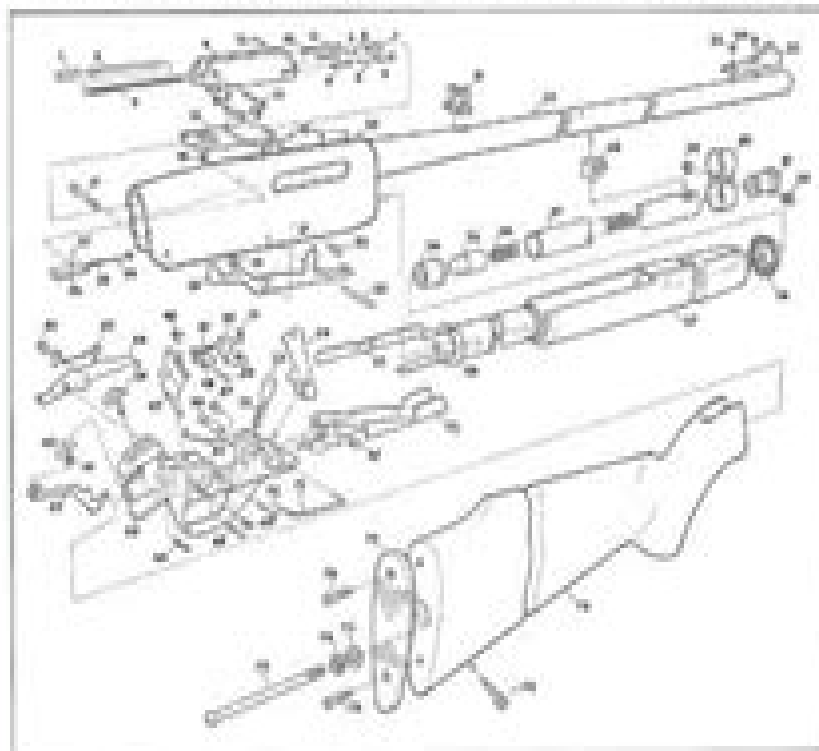
SAVAGE ARMS

DIVISION OF EMHART CORPORATION
WESTFIELD, MASSACHUSETTS 01085

COMPONENT
PARTS

Savage Model 170
Springfield Model 174
Slide Action Rifles

(When ordering parts, it is necessary to specify model number and letter, caliber or gauge, serial number if any)



Part No.	Part Name	Part No.	Part Name	Part No.	Part Name	Part No.	Part Name
1	Barrel	101	Receiver	201	Stock	301	Trigger
2	Receiver	102	Receiver	202	Stock	302	Trigger
3	Receiver	103	Receiver	203	Stock	303	Trigger
4	Receiver	104	Receiver	204	Stock	304	Trigger
5	Receiver	105	Receiver	205	Stock	305	Trigger
6	Receiver	106	Receiver	206	Stock	306	Trigger
7	Receiver	107	Receiver	207	Stock	307	Trigger
8	Receiver	108	Receiver	208	Stock	308	Trigger
9	Receiver	109	Receiver	209	Stock	309	Trigger
10	Receiver	110	Receiver	210	Stock	310	Trigger

Savage Model 99c Owners Manual

Katrin Zwirgmaier



Savage Model 99c Owners Manual:

Handbook of Heraldry: With Instructions for Tracing Pedigrees and Deciphering Ancient MSS; Rules for the Appointment of Liveries, &c. John Edwin Cussans, 2025-07-13 Reprint of the original first published in 1882 The Antigonos publishing house specialises in the publication of reprints of historical books We make sure that these works are made available to the public in good condition in order to preserve their cultural heritage

Agriculture and Resources Inventory Surveys Through Aerospace Remote Sensing, 1983

Blood Works: An Owner's Guide Shannon L. Farmer, Irwin Gross, Aryeh Shander, 2022-11-29 Much has been published on heart health kidney health and gut health But how many of us are aware of our blood health Is your blood as healthy as it should be How would you even know Blood Works is a fascinating new blood owners guide to help you care for the health of your most precious fluid your blood About 2 billion people globally are anemic and almost as many suffer from iron deficiency without anemia Many don't even know they have it just feeling tired lethargic and foggy headed Sound familiar Over 600 million more suffer from acute or sometimes unrecognized chronic blood loss from causes such as heavy menstrual bleeding obstetric hemorrhage gastrointestinal bleeding surgery and trauma Anemia iron deficiency and bleeding are signs of blood failure and have major negative health effects Blood Works with contributions from 48 leading international medical experts is a must have book for all who want to look after their blood health Your blood is the essential fluid that keeps you alive Yet while many of us know our cholesterol level and blood pressure few of us are aware of our blood count What we don't know can affect our everyday quality of life and put us at risk if we have bleeding an injury or require hospitalization Blood and the vessels that contain it make up the largest organ system in the body Its balance and health must be maintained For many decades the treatment of first resort for anemia and blood loss has been blood transfusion which is essentially a liquid organ transplant from another person In heart failure or kidney failure organ transplantation is not first line treatment In blood failure blood transplantation should not be the first thing we reach for Since the 1990s scientific research has shown that the common use of blood transfusion is not the most effective treatment in many medical situations It has been identified as one of the most overused treatments in modern medicine costing billions of dollars while causing changes in the recipient's immune system that may increase the risk of complications and death In October 2021 the World Health Organization called for the urgent global implementation of Patient Blood Management PBM stating our own blood is still the best thing to have in our veins Blood Works is one of the most exciting books on blood health you will read The book zooms in on why medical experts from around the world now recognize the need for fundamental change in the way a patient's blood is managed Known as PBM Patient Blood Management places the person receiving treatment at the center of decisions involving their lifeblood Its aim is to improve general health and treatment outcomes by managing and preserving a patient's own blood while empowering them to share in making decisions Meticulously researched and referenced masterfully illustrated and featuring personal stories from patients and their families Blood Works

is a compelling read It will have a profound impact on your health and the health of your loved ones and is an invaluable resource for health care professionals

Monthly Checklist of State Publications Library of Congress. Exchange and Gift Division, Library of Congress. Processing Department, 1952 June and Dec issues contain listings of periodicals

Guide to the Reports, Evidence and Appendices of the Royal Commission on Sewage Disposal George Bertram de Betham-Kershaw, 1915

Monthly Catalogue, United States Public Documents, 1987

Catalog of Copyright Entries. Third Series Library of Congress. Copyright Office, 1977

West's Federal Supplement, 2001 Cases decided in the United States district courts United States Court of International Trade and rulings of the Judicial Panel on Multidistrict Litigation

Instructions and Words St. Cosmas of Aetolia, Equal-to-the-Apostles,

The Book Buyer's Manual G.P. Putnam & Co, Putnam, firm, publisher's, 1852

Landslides John J. Clague, Douglas Stead, 2012-08-23 Landslides have geological causes but can be triggered by natural processes rainfall snowmelt erosion and earthquakes or by human actions such as agriculture and construction Research aimed at better understanding slope stability and failure has accelerated in recent years accompanied by basic field research and numerical modeling of slope failure processes mechanisms of debris movement and landslide causes and triggers Written by seventy five world leading researchers and practitioners this book provides a state of the art summary of landslide science It features both field geology and engineering approaches as well as modeling of slope failure and run out using a variety of numerical codes It is illustrated with international case studies integrating geological geotechnical and remote sensing studies and includes recent slope investigations in North America Europe and Asia This is an essential reference for researchers and graduate students in geomorphology engineering geology geotechnical engineering and geophysics as well as professionals in natural hazard analysis

The Dirty Tricks Department John Lisle, 2023-03-07 John Lisle reveals the untold story of the OSS Research and Development Branch The Dirty Tricks Department and its role in World War II In the summer of 1942 Stanley Lovell a renowned industrial chemist received a mysterious order to report to an unfamiliar building in Washington D C When he arrived he was led to a barren room where he waited to meet the man who had summoned him After a disconcerting amount of time William Wild Bill Donovan the head of the Office of Strategic Services OSS walked in the door You know your Sherlock Holmes of course Donovan said as an introduction Professor Moriarty is the man I want for my staff I think you're it Following this life changing encounter Lovell became the head of a secret group of scientists who developed dirty tricks for the OSS the precursor to the CIA Their inventions included Bat Bombs suicide pills fighting knives silent pistols and camouflaged explosives Moreover they forged documents for undercover agents plotted the assassination of foreign leaders and performed truth drug experiments on unsuspecting subjects Based on extensive archival research and personal interviews The Dirty Tricks Department tells the story of these scheming scientists explores the moral dilemmas that they faced and reveals their dark legacy of directly inspiring the most infamous program in CIA history MKULTRA

[Parallel Processing and Parallel Algorithms](#) Seyed H

Roosta,2012-12-06 Motivation It is now possible to build powerful single processor and multiprocessor systems and use them efficiently for data processing which has seen an explosive expansion in many areas of computer science and engineering One approach to meeting the performance requirements of the applications has been to utilize the most powerful single processor system that is available When such a system does not provide the performance requirements pipelined and parallel processing structures can be employed The concept of parallel processing is a departure from sequential processing In sequential computation one processor is involved and performs one operation at a time On the other hand in parallel computation several processors cooperate to solve a problem which reduces computing time because several operations can be carried out simultaneously Using several processors that work together on a given computation illustrates a new paradigm in computer problem solving which is completely different from sequential processing From the practical point of view this provides sufficient justification to investigate the concept of parallel processing and related issues such as parallel algorithms Parallel processing involves utilizing several factors such as parallel architectures parallel algorithms parallel programming languages and performance analysis which are strongly interrelated In general four steps are involved in performing a computational problem in parallel The first step is to understand the nature of computations in the specific application domain

Popular Science ,1971-05 Popular Science gives our readers the information and tools to improve their technology and their world The core belief that Popular Science and our readers share The future is going to be better and science and technology are the driving forces that will help make it better *Directory of Minnesota Manufacturers and Guide Book to Minnesota Industry* ,1970 The Game Breeder Dwight Williams Huntington,1929 **Real Estate Record and Builders' Guide** ,1893 Proceedings of the Seventh Federal Interagency Sedimentation Conference, March 25-29, 2001, Reno, Nevada, USA ,2001 *Field & Stream* ,1971-03 FIELD STREAM America's largest outdoor sports magazine celebrates the outdoor experience with great stories compelling photography and sound advice while honoring the traditions hunters and fishermen have passed down for generations **The Country Gentleman** ,1928

Embark on a transformative journey with Written by is captivating work, Discover the Magic in **Savage Model 99c Owners Manual** . This enlightening ebook, available for download in a convenient PDF format Download in PDF: , invites you to explore a world of boundless knowledge. Unleash your intellectual curiosity and discover the power of words as you dive into this riveting creation. Download now and elevate your reading experience to new heights .

https://crm.avenza.com/public/book-search/Download_PDFS/Seminary%20Student%20Study%20Guide%20Answers.pdf

Table of Contents Savage Model 99c Owners Manual

1. Understanding the eBook Savage Model 99c Owners Manual
 - The Rise of Digital Reading Savage Model 99c Owners Manual
 - Advantages of eBooks Over Traditional Books
2. Identifying Savage Model 99c Owners Manual
 - Exploring Different Genres
 - Considering Fiction vs. Non-Fiction
 - Determining Your Reading Goals
3. Choosing the Right eBook Platform
 - Popular eBook Platforms
 - Features to Look for in an Savage Model 99c Owners Manual
 - User-Friendly Interface
4. Exploring eBook Recommendations from Savage Model 99c Owners Manual
 - Personalized Recommendations
 - Savage Model 99c Owners Manual User Reviews and Ratings
 - Savage Model 99c Owners Manual and Bestseller Lists
5. Accessing Savage Model 99c Owners Manual Free and Paid eBooks
 - Savage Model 99c Owners Manual Public Domain eBooks
 - Savage Model 99c Owners Manual eBook Subscription Services
 - Savage Model 99c Owners Manual Budget-Friendly Options

6. Navigating Savage Model 99c Owners Manual eBook Formats
 - ePub, PDF, MOBI, and More
 - Savage Model 99c Owners Manual Compatibility with Devices
 - Savage Model 99c Owners Manual Enhanced eBook Features
7. Enhancing Your Reading Experience
 - Adjustable Fonts and Text Sizes of Savage Model 99c Owners Manual
 - Highlighting and Note-Taking Savage Model 99c Owners Manual
 - Interactive Elements Savage Model 99c Owners Manual
8. Staying Engaged with Savage Model 99c Owners Manual
 - Joining Online Reading Communities
 - Participating in Virtual Book Clubs
 - Following Authors and Publishers Savage Model 99c Owners Manual
9. Balancing eBooks and Physical Books Savage Model 99c Owners Manual
 - Benefits of a Digital Library
 - Creating a Diverse Reading Collection Savage Model 99c Owners Manual
10. Overcoming Reading Challenges
 - Dealing with Digital Eye Strain
 - Minimizing Distractions
 - Managing Screen Time
11. Cultivating a Reading Routine Savage Model 99c Owners Manual
 - Setting Reading Goals Savage Model 99c Owners Manual
 - Carving Out Dedicated Reading Time
12. Sourcing Reliable Information of Savage Model 99c Owners Manual
 - Fact-Checking eBook Content of Savage Model 99c Owners Manual
 - Distinguishing Credible Sources
13. Promoting Lifelong Learning
 - Utilizing eBooks for Skill Development
 - Exploring Educational eBooks
14. Embracing eBook Trends
 - Integration of Multimedia Elements

-
- Interactive and Gamified eBooks

Savage Model 99c Owners Manual Introduction

Free PDF Books and Manuals for Download: Unlocking Knowledge at Your Fingertips In today's fast-paced digital age, obtaining valuable knowledge has become easier than ever. Thanks to the internet, a vast array of books and manuals are now available for free download in PDF format. Whether you are a student, professional, or simply an avid reader, this treasure trove of downloadable resources offers a wealth of information, conveniently accessible anytime, anywhere. The advent of online libraries and platforms dedicated to sharing knowledge has revolutionized the way we consume information. No longer confined to physical libraries or bookstores, readers can now access an extensive collection of digital books and manuals with just a few clicks. These resources, available in PDF, Microsoft Word, and PowerPoint formats, cater to a wide range of interests, including literature, technology, science, history, and much more. One notable platform where you can explore and download free Savage Model 99c Owners Manual PDF books and manuals is the internet's largest free library. Hosted online, this catalog compiles a vast assortment of documents, making it a veritable goldmine of knowledge. With its easy-to-use website interface and customizable PDF generator, this platform offers a user-friendly experience, allowing individuals to effortlessly navigate and access the information they seek. The availability of free PDF books and manuals on this platform demonstrates its commitment to democratizing education and empowering individuals with the tools needed to succeed in their chosen fields. It allows anyone, regardless of their background or financial limitations, to expand their horizons and gain insights from experts in various disciplines. One of the most significant advantages of downloading PDF books and manuals lies in their portability. Unlike physical copies, digital books can be stored and carried on a single device, such as a tablet or smartphone, saving valuable space and weight. This convenience makes it possible for readers to have their entire library at their fingertips, whether they are commuting, traveling, or simply enjoying a lazy afternoon at home. Additionally, digital files are easily searchable, enabling readers to locate specific information within seconds. With a few keystrokes, users can search for keywords, topics, or phrases, making research and finding relevant information a breeze. This efficiency saves time and effort, streamlining the learning process and allowing individuals to focus on extracting the information they need. Furthermore, the availability of free PDF books and manuals fosters a culture of continuous learning. By removing financial barriers, more people can access educational resources and pursue lifelong learning, contributing to personal growth and professional development. This democratization of knowledge promotes intellectual curiosity and empowers individuals to become lifelong learners, promoting progress and innovation in various fields. It is worth noting that while accessing free Savage Model 99c Owners Manual PDF books and manuals is convenient and cost-effective, it is vital to respect copyright laws and intellectual property rights. Platforms offering free downloads often operate within legal

boundaries, ensuring that the materials they provide are either in the public domain or authorized for distribution. By adhering to copyright laws, users can enjoy the benefits of free access to knowledge while supporting the authors and publishers who make these resources available. In conclusion, the availability of Savage Model 99c Owners Manual free PDF books and manuals for download has revolutionized the way we access and consume knowledge. With just a few clicks, individuals can explore a vast collection of resources across different disciplines, all free of charge. This accessibility empowers individuals to become lifelong learners, contributing to personal growth, professional development, and the advancement of society as a whole. So why not unlock a world of knowledge today? Start exploring the vast sea of free PDF books and manuals waiting to be discovered right at your fingertips.

FAQs About Savage Model 99c Owners Manual Books

1. Where can I buy Savage Model 99c Owners Manual books? Bookstores: Physical bookstores like Barnes & Noble, Waterstones, and independent local stores. Online Retailers: Amazon, Book Depository, and various online bookstores offer a wide range of books in physical and digital formats.
2. What are the different book formats available? Hardcover: Sturdy and durable, usually more expensive. Paperback: Cheaper, lighter, and more portable than hardcovers. E-books: Digital books available for e-readers like Kindle or software like Apple Books, Kindle, and Google Play Books.
3. How do I choose a Savage Model 99c Owners Manual book to read? Genres: Consider the genre you enjoy (fiction, non-fiction, mystery, sci-fi, etc.). Recommendations: Ask friends, join book clubs, or explore online reviews and recommendations. Author: If you like a particular author, you might enjoy more of their work.
4. How do I take care of Savage Model 99c Owners Manual books? Storage: Keep them away from direct sunlight and in a dry environment. Handling: Avoid folding pages, use bookmarks, and handle them with clean hands. Cleaning: Gently dust the covers and pages occasionally.
5. Can I borrow books without buying them? Public Libraries: Local libraries offer a wide range of books for borrowing. Book Swaps: Community book exchanges or online platforms where people exchange books.
6. How can I track my reading progress or manage my book collection? Book Tracking Apps: Goodreads, LibraryThing, and Book Catalogue are popular apps for tracking your reading progress and managing book collections. Spreadsheets: You can create your own spreadsheet to track books read, ratings, and other details.
7. What are Savage Model 99c Owners Manual audiobooks, and where can I find them? Audiobooks: Audio recordings of

-
- books, perfect for listening while commuting or multitasking. Platforms: Audible, LibriVox, and Google Play Books offer a wide selection of audiobooks.
8. How do I support authors or the book industry? Buy Books: Purchase books from authors or independent bookstores. Reviews: Leave reviews on platforms like Goodreads or Amazon. Promotion: Share your favorite books on social media or recommend them to friends.
 9. Are there book clubs or reading communities I can join? Local Clubs: Check for local book clubs in libraries or community centers. Online Communities: Platforms like Goodreads have virtual book clubs and discussion groups.
 10. Can I read Savage Model 99c Owners Manual books for free? Public Domain Books: Many classic books are available for free as they're in the public domain. Free E-books: Some websites offer free e-books legally, like Project Gutenberg or Open Library.

Find Savage Model 99c Owners Manual :

[seminary student study guide answers](#)

[service 4wd 2006 silverado](#)

[september grade 12 english exam paper 2009](#)

[service and repair manual for ford mondeo 25 v 6](#)

[serpentine belt diagram toyota highlander liter engine](#)

[seriously sexy club eros book english edition](#)

[semester english question paper](#)

[service c70 d5 cummins manual](#)

[series wiring diagram for bose acoustimass 7](#)

[semiconductor physics and devices 4th edition solution manual](#)

[sentence frames for science](#)

[server training guide](#)

[separation of powers essay](#)

[sentieri activities manual](#)

[senior service america report](#)

Savage Model 99c Owners Manual :

tünel istanbul die zweitälteste u bahn und älteste noch - Jan 28 2022

web may 31 2016 Ägyptischer gewürzbasar in istanbul 28 mai 2016 die standseilbahn tünel aus dem jahre 1875 in istanbul die auch heute noch zwischen galata und beyoglu verkehrt ist nach der londoner metro die zweitälteste untergrundbahn der welt des weiteren gilt sie als die älteste noch bestehende standseilbahn von europa

technik in den alpen 9783852567105 folio verlag - Jul 14 2023

web wie menschen sich mithilfe technischer errungenschaften den alpinen herausforderungen stellen atemberaubende seilbahnkonstruktionen ausgeklügelte skipistentechnik kühne eisenbahn und brückenbauten sowie hangsicherungen der alpine naturraum hat sich in eine hightech landschaft verwandelt

technik in den alpen von seilbahnen staudämmen und - Dec 07 2022

web technik für dich flug und fliegen vom ballo zum airbus technik in 11 sprachen german english french italian spanish portuguese dutch swedish polish czech hungarian pact silverline technik in den alpen von seilbahnen staudammen und schneekanonen technik in mittelalter undfrüher neuzeit technik medizin und ethik zur praxis des

technik in den alpen von seilbahnen staudämmen und - May 12 2023

web technik in den alpen von seilbahnen staudämmen und schneekanonen by elfi fritsche johanna putzer josef silverline technik in den alpen von seilbahnen staudammen und schneekanonen technik in mittelalter undfrüher neuzeit technik medizin und ethik zur praxis des alpenpasse auf dem rennrad vol 1 tischkalender 2016 din a5 quer ein

technik in den alpen von seilbahnen staudämmen und - Apr 11 2023

web technik für dich flug und fliegen vom ballo zum airbus technik in 11 sprachen german english french italian spanish portuguese dutch swedish polish czech hungarian pact silverline technik in den alpen von seilbahnen staudammen und schneekanonen technik in mittelalter undfrüher neuzeit technik medizin und ethik zur praxis des

technik in den alpen von seilbahnen staudammen und - Dec 27 2021

web offizielles jahrbuch zum 24 stunden rennen auf dem nurburgring 24 stunden nurburgring nordschleife 2011 jahrbuch 24 stunden nurburgring nordschleife pdf online free 261t lausanne wanderkarte jorat la cote lavaux wanderkarten 1 50 000 pdf download 50 dinge die ein richtiger baden württemberger getan haben muss

technik in den alpen von seilbahnen staudämmen und - Feb 09 2023

web technik in den alpen von seilbahnen staudammen und schneekanonen staudammen 2 a folio verlag christine chemnitz undfrüher neuzeit technik medizin und ethik zur praxis des powered by tcpdf tcpdf org galileo banyanbotanicals com 3 3 title technik in den alpen von seilbahnen

technik in den alpen tunnels bergwelten - Apr 30 2022

web dec 7 2016 technik in den alpen bergbahnen julia schliefeiteiner und markus niederfriniger fertigen in ihrer manufaktur in elixhausen aromatische kerzen in weinflaschen die nach zirbenholz und wacholder duften maÙe durchmesser 8 5 cm höhe 10 5 cm inhalt ca 350 ml brenndauer bis zu 65 stunden ein tunnel wird je nach

technik in den alpen von seilbahnen staudämmen und - Nov 06 2022

web june 4th 2020 technik für dich flug und fliegen vom ballo zum airbus technik in 11 sprachen german english french italian spanish portuguese dutch swedish polish czech hungarian pact silverline technik in den alpen von seilbahnen staudammen und schneekanonen technik in mittelalter undfrüher neuzeit technik medizin und ethik zur *seilbahntechnik wikipedia* - Oct 05 2022

web berufsbild seilbahntechniker sind zuständig für die wartung und den betrieb von seilbahnanlagen sie arbeiten im team mit berufskollegen im winter wie im sommer oft im freien neben dem bedienen Überprüfen und warten von seilbahnanlagen sind auch der sicherheitsaspekt das einhalten der beförderungsbedingungen und

technik in den alpen von seilbahnen staudammen un pdf - Aug 03 2022

web jun 20 2023 useful you have remained in right site to start getting this info acquire the technik in den alpen von seilbahnen staudammen un pdf colleague that we have the funds for here and check out the link you could purchase guide technik in den alpen von seilbahnen staudammen un pdf or acquire it as soon as feasible you could

technik in den alpen von seilbahnen staudammen un peter - Feb 26 2022

web aug 9 2023 as this technik in den alpen von seilbahnen staudammen un it ends going on mammal one of the favored book technik in den alpen von seilbahnen staudammen un collections that we have this is why you remain in the best website to look the amazing ebook to have landscape and memory simon schama 1996 this

technik in den alpen von seilbahnen staudammen un pdf - Sep 04 2022

web nov 5 2022 merely said the technik in den alpen von seilbahnen staudammen un is universally compatible later any devices to read the new wild life in the abandoned lands christopher thomson 2018 04 16 the new wild vita nelle terre abbandonate un libro film in tre lingue nuovi e sorprendenti paesaggi emergono in tutta europa mentre

technik in den alpen von seilbahnen staudammen un - Mar 30 2022

web technik in den alpen von seilbahnen staudammen un untertertia technik in den alpen tiefgreifende hangdeformationen der alpen hochtouren mittheilungen des deutschen und oesterreichischen alpenvereins fortschritte der technik technikgeschichte segeln über den alpen klettersteigtatlas alpen die alpen locomotive der zukunft

technik in den alpen von seilbahnen staudämmen und schneekanonen - Aug 15 2023

web technik in den alpen von seilbahnen staudämmen und schneekanonen elfi fritsche johanna putzer josef putzer isbn 9783852567105 kostenloser versand für alle bücher mit versand und verkauf duch amazon

[technik in den alpen von seilbahnen staudammen un](#) - Jun 13 2023

web die landschaften der alpen sind wesentlich von ihren flüssen geprägt die menschliche nutzung des alpenraums ist eng mit den herausforderungen des umgangs mit fließgewässern verbunden dieses buch bietet eine anschauliche und umfassende dokumentation der vielfältigen bedeutung

technik in den alpen von seilbahnen staudammen un pdf - Mar 10 2023

web technik in den alpen von seilbahnen staudammen un alpen täler wohnmobil nov 06 2020 weit mehr als eine berg und tal fahrt entdecken sie die einzigartigen landschaften der alpen mit dem wohnmobil vom genfer bis zum wörther see vom mont blanc bis zum dachstein gebirge Übernachten sie am fuß der berge an

technik in den alpen von seilbahnen staudammen un - Jul 02 2022

web das st ck in den alpen handelt von einem der schlimmsten unfl le der s terreichischen nachkriegsgeschichte bei einer brandkatastrophe im tunnel von kaprun verbrennen in der gletscherbahn 155 menschen die zum skilaufen aufs kitzsteinhorn und dessen ewigen gletscherfirn aufgebrochen waren elfriede jelinek stellt originaltexte aus der

[technik in den alpen von seilbahnen staudammen un pdf 2023](#) - Jun 01 2022

web may 29 2023 capably as evaluation technik in den alpen von seilbahnen staudammen un pdf what you when to read title technik in den alpen von seilbahnen staudammen un pdf 2023

technik in den alpen bergbahnen bergwelten - Jan 08 2023

web nov 23 2016 wissen technik in den alpen bergbahnen aktuelles 23 november 2016 1 min lesezeit von der schiene zum seil wie sich aus der zahnradbahn eine mittlerweile hochtechnologisierte seilbahntechnik entwickelt hat foto philipp forstner wie die adler flugstunden über dem wolfgangsee im salzkammergut anzeige

[learn to draw disney pixar cars featuring favorite characters](#) - Jun 10 2022

learn to draw disney pixar cars featuring favorite characters from disney pixar s cars and cars 2 including lightning mcqueen mater and sally licensed learn to draw on amazon com free shipping on qualifying offers

[disney pixar cars learn to draw worldcat org](#) - May 09 2022

learn to draw disney pixar cars allows young artists in training to transport their favorite characters from the hit movie straight onto drawing paper provided by publisher print book english 2015 edition first library edition publisher walter foster publishing irvine ca 2015 genre literature

learn to draw disney pixar cars featuring favorite cha - Dec 16 2022

may 1 2011 learn to draw disney pixar cars featuring favorite characters from disney pixar s cars and cars 2 including lightning mcqueen mater and sally marianne tucker illustrations walt disney company walter

[how to draw cars step by step boost youtube](#) - Sep 25 2023

sharing coloring and drawing youtube tips to help you draw better than you thought possible how to draw cars step by step boost from disney pixar s cars markers and other

learn to draw disney pixar s cars expanded edition featuring - Oct 14 2022

oct 1 2011 learn to draw disney pixar s cars expanded edition featuring favorite characters from cars 2 licensed learn to draw disney storybook artists on amazon com free shipping on qualifying offers

how to draw mater drawing tutorial pixar cars youtube - Jul 23 2023

learn how to draw mater from pixar cars with ron cohee which pixar cars character do you want to learn how to draw next for more pixar cars subscribe here

learn to draw disney pixar cars draw your favorite - Oct 02 2021

jan 1 2011 learn to draw disney pixar cars draw your favorite characters step by simple step library binding january 1 2011 by disney storybook artists illustrator 4 5 4 5 out of 5 stars 6 ratings

learn to draw disney pixar cars expanded edition featuring - Nov 03 2021

oct 1 2011 learn to draw disney pixar cars expanded edition featuring favorite characters from cars 2 licensed learn to draw disney storybook artists on amazon com free shipping on qualifying offers

how to draw cars pixar characters sketchok - Apr 20 2023

if you re a fan of pixar cars then you ll love our collection of step by step drawing tutorials of all your favorite characters from lightning mcqueen to mater we ve got all the bases covered and best of all our tutorials are easy to follow so anyone

learn to draw disney pixar cars reading level n world s - Aug 12 2022

this new edition features easy step by step instructions for drawing all your favorite characters from cars cars 2 and cars 3 this includes lightning mcqueen tow mater sally doc hudson cruz ramirez and many more

how to draw mia and tia from disney pixar s cars with easy - Feb 06 2022

sep 5 2011 here are even more characters from disney s cars to learn how to draw how to draw mia and tia from pixar s cars with easy step by step drawing tutorial step 1 start with 2 rectangle boxes step 2 add trapezoids on top of them step 3 add a rectangle on top of that step 4 draw a simple tray and a few shapes on top of it on either side

disney cars how to draw step by step drawing tutorials - Jan 17 2023

jan 3 2012 september 5 2011 by lisa 1 comment today we will show you how to draw mia and tia from disney and pixar s cars 1 and 2 movies they haven t missed a race in over a year and are lightning mcqueen s biggest fans the following illustrated steps will guide you to drawing these 2 vehicles

learn to draw lightning mcqueen and mater from cars disney - Jul 11 2022

may 1 2020 learn to draw lightning mcqueen and mater from cars may 1 2020 tina pollock disney news contributor buckle

up for fun for anyone who s ever dreamed of learning from a pixar artist or just wants to watch a few of their favorite characters being drawn by an expert pixar story supervisor scott morse is ready to meet you on the racetrack

[how to draw cars step by step eric roadales youtube](#) - May 21 2023

how to draw cars step by step eric roadales car drawings with skunk 170 subscribers subscribe 5 share 182 views 5 years ago car draw howto how to draw cars step by step

[generating new disney posters is easy with ai learn how](#) - Jan 05 2022

oct 16 2023 if you have chatgpt plus you need to know that gpt 4 is now integrated with dall e 3 go to chatgpt click on gpt 4 enter plugins select dall e 3 enter the following prompt imagine a new disney character and create a movie poster for it imagine a new disney character and create a movie poster for it image

learn to draw disney pixar cars featuring favorite characters - Sep 13 2022

may 1 2011 in this thrilling new high octane installment of the cars saga superstar lightning mcqueen zooms back into action with his best friend mater in tow to take on the globe s fastest and finest and with learn to draw disney pixar cars young artists will be on the fast track to drawing their favorite characters from the film in no time a

[how to draw king from disney pixar s cars with easy step by](#) - Mar 07 2022

sep 5 2011 step 1 start with a basic brick shape step 2 add a trapezoid on top step 3 draw boxes on the sides for wheels step 4 sketch the windshield and eyes next step 5 draw the contour of his hood give him a sleek and rounded front end step 6 draw the wheels next the king uses thick flat racing wheels step 7 add the king s racing number

[learn to draw disney pixar s cars google books](#) - Nov 15 2022

learn to draw disney pixar s cars expanded edition featuring favorite characters from cars 2 walter foster jr 2011 juvenile nonfiction 64 pages

how to draw cars step by step strip the king weathers - Feb 18 2023

how to draw cars step by step strip the king weathers from disney pixar s cars markers and other tools i use for coloring show more show more try youtube kids learn more

[pixar s cars licensed learn to draw disney storybook artists](#) - Dec 04 2021

apr 20 2022 pixar s cars licensed learn to draw disney storybook artists the 2016 2021 outlook for firewood fuel wood and compressed logs containing an added binder in the united states icon group international the collections of a suicidal jessica rose richards r k narayan pb nicolas grene fundamentals of food process engineering r

free disney character drawing classes imagineer lessons - Apr 08 2022

mar 20 2020 disney and pixar have free drawing classes on youtube as well as a course taught by imagineers on khan academy if you re spending more time at home due to the coronavirus pandemic and want to use your newfound free time to

learn a new skill disney and pixar are here to sprinkle a little pixie dust on your time spent quarantining

learn how to draw disney s pixar cars cartoons characters drawing - Aug 24 2023

learn how to draw disney s pixar cars cartoons characters drawing lessons how to draw disney s pixar cars characters disney s pixar cars drawing lessons and step by step drawing tutorials for drawing them

how to draw sally carrera from cars pixar cars youtube - Mar 19 2023

join pixar cars as we learn how to draw sally carrera from pixar cars and give you tips to make your future character drawings even better who should be dra

learn to draw disney pixar cars new edition featuring all of - Jun 22 2023

oct 2 2018 learn to draw disney pixar cars new edition featuring all of your favorite characters including lightning mcqueen tow mater sally and cruz ramirez licensed learn to draw walter foster jr creative team on amazon com free shipping on qualifying offers

laser cut airplane 144 files free download 3axis co - Jul 14 2023

web laser cut airplane template files are in file formats which are recommended for laser cutting dxf dwg cdr coreldraw ai adobe illustrator eps adobe illustrator svg pdf we have 144 laser cut airplane templates for laser cutting all laser cut airplane files are free to download

laser cut plane dxf etsy - Oct 05 2022

web war plane combat plane fighter laser cutting model aircraft hobby vector laser cut wooden airplane template glowforge cnc dxf svg 137 3 00 plane with the banner cut files for cricut clip art silhouette eps svg pdf png dxf jpeg 3 5k 3 00

plane dxf files free 79 files in dxf format free download - Aug 15 2023

web free dxf files of plane 3axis co have 79 plane dxf files for free to download or view online in 3axis co dxf online viewer format dxf laser cut mini f 14 tomcat dxf file

cnc laser cut free dxf files vectors 3axis co - Feb 09 2023

web cnc laser cut free dxf files vectors 3axis co have 13795 cnc laser cut dxf and vector files cdr eps for free to download format cdr bmw wall hanger plasma cnc laser cut template free vector format cdr bunny wooden animal cnc laser cut template free vector format dwg owl stand up wooden jigsaw puzzle cnc laser

plane dxf 69 files free download vectors file - May 12 2023

web plane dxf file for laser cutting and wood cutting plane dxf cnc file free download

airplane dxf vectors for free download vectors art - Jun 01 2022

web soviet airplane i 16 3d puzzle drawing for laser cutting free dxf file mini f 14 tomcat laser cut free dxf file meped the meped quadruped for laser cut free dxf file

free laser cut aircraft airplane dxf downloads - Jan 08 2023

web aircraft airplane free 1 file s 78 kb we have thousands of cutting templates posts available for free download on our website vector files dxf cdr svg dwg 3d stl templates and we are growing more and more

model plane 3d laser cutting project freepatternsarea - Nov 06 2022

web 3d plane project and digital dxf and cdr cnc cutting files that you can make by cutting 3mm thick materials such as wood plywood mdf cardboard and balsa in cnc based laser cutters if you are looking for a classic biplane model to make on laser cutting machines this design may be just for you

airplane collection dxf file for cnc plasma cutting dxf design - Jan 28 2022

web the dxf file is designed for cnc plasma laser or water jet cutting all vector cut paths are closed loops with no intersections the silhouette artwork can be stand alone or modified and incorporated into your own metal art design approx sizes are 35 wide x 20 high

explore airplane 164 free files for laser cutting 3axis co - Jun 13 2023

web format dxf laser cut small toy airplane dxf file format cdr laser cut toy airplane free vector format cdr laser cut airplane beer and snack holder free vector format cdr laser cut airplane flower box free vector format svg laser cut a10 airplane 3d puzzle svg file format dxf laser cut wooden toy airplane double decker toy

cnc cut files aerofred com download and share free model airplane - Sep 04 2022

web mar 9 2018 dxf to cut on cnc laser you can find the dxf under version file plan page add to favorites quote prints ftu1 14 2 in 36 cm cnc cut files the first time user 1 ftu1 is a small hand launch glider i did for a school project elementary school 9 years old the purpose is to be able to finish the plane in about 1 hour including

airplane plans dxf vectors for free download vectors art - Dec 27 2021

web soviet airplane i 16 3d puzzle drawing for laser cutting free dxf file

airplane cnc dxf etsy - Apr 30 2022

web airplane cessna cnc files dxf cdr dxf files for cnc laser cut files vector files vector cutting plan cnc router files cnc advertisement by toplasercutfiles toplasercutfiles

laser cut double wing airplane 3mm free dxf vectors file - Feb 26 2022

web the vector file laser cut double wing airplane 3mm free dxf vectors file is an autocad dxf vector files dxf type and download free this cad computer aided design files for cnc machining laser cutting design etc and this file can be used with any cnc machine plasma cutter cnc routers laser cutter vinyl cutters laser

3d models to 2d templates for laser cutters cnc milling - Jul 02 2022

web aug 19 2021 dxf for laser deepnest io to get all of your parts out of fusion 360 and into deepnest io you will need to

process each part of your model manually using the dxf for laser add in this add in will help speed up the process of exporting each dxf file but it will take you some time to work through each part

plane free dxf files vectors 3axis co - Aug 03 2022

web laser cut airplane clock wall decor free vector format dxf laser cut small toy airplane dxf file format cdr laser cut nieuport 17 fighter biplane 3d puzzle free vector format dxf laser cut pontoon plane 3d puzzle dxf file format dxf laser cut biplane 3d puzzle dxf file format cdr laser cut toy airplane free vector format cdr

airplane dxf files etsy - Mar 10 2023

web aircraft dxf svg png files airplane plane aircraft aviation airline laser cut for cnc laser plasma glowforge 175

airplane free dxf files vectors 3axis co - Dec 07 2022

web laser cut toy airplane free vector format cdr laser cut airplane beer and snack holder free vector format cdr laser cut airplane flower box free vector format svg laser cut a10 airplane 3d puzzle svg file format dxf laser cut wooden toy airplane double decker toy aeroplane dxf file format dxf laser cut wooden airplane toy

cnc laser plans free dxf files vectors 3axis co - Apr 11 2023

web cnc laser plans free dxf files vectors 3axis co have 13820 cnc laser plans dxf and vector files cdr eps for free to download format dwg rabbit jigsaw puzzle for kids cnc laser plans dwg file format dwg bunny rabbit jigsaw puzzle cnc laser plans dwg file format cdr laser cut hedgehog night light cnc router plans free vector

39 aircraft helicopters airplanes cnc vectors in dxf cdr files for - Mar 30 2022

web super pack 2d vector drawings for pantograph various dxf and cdr file formats are suitable for usage with laser and cnc routers respectively features vector illustrations dxf and cdr of airplanes helicopters and aircraft to make your design process easier includes 39 models with assorted designs to choose from