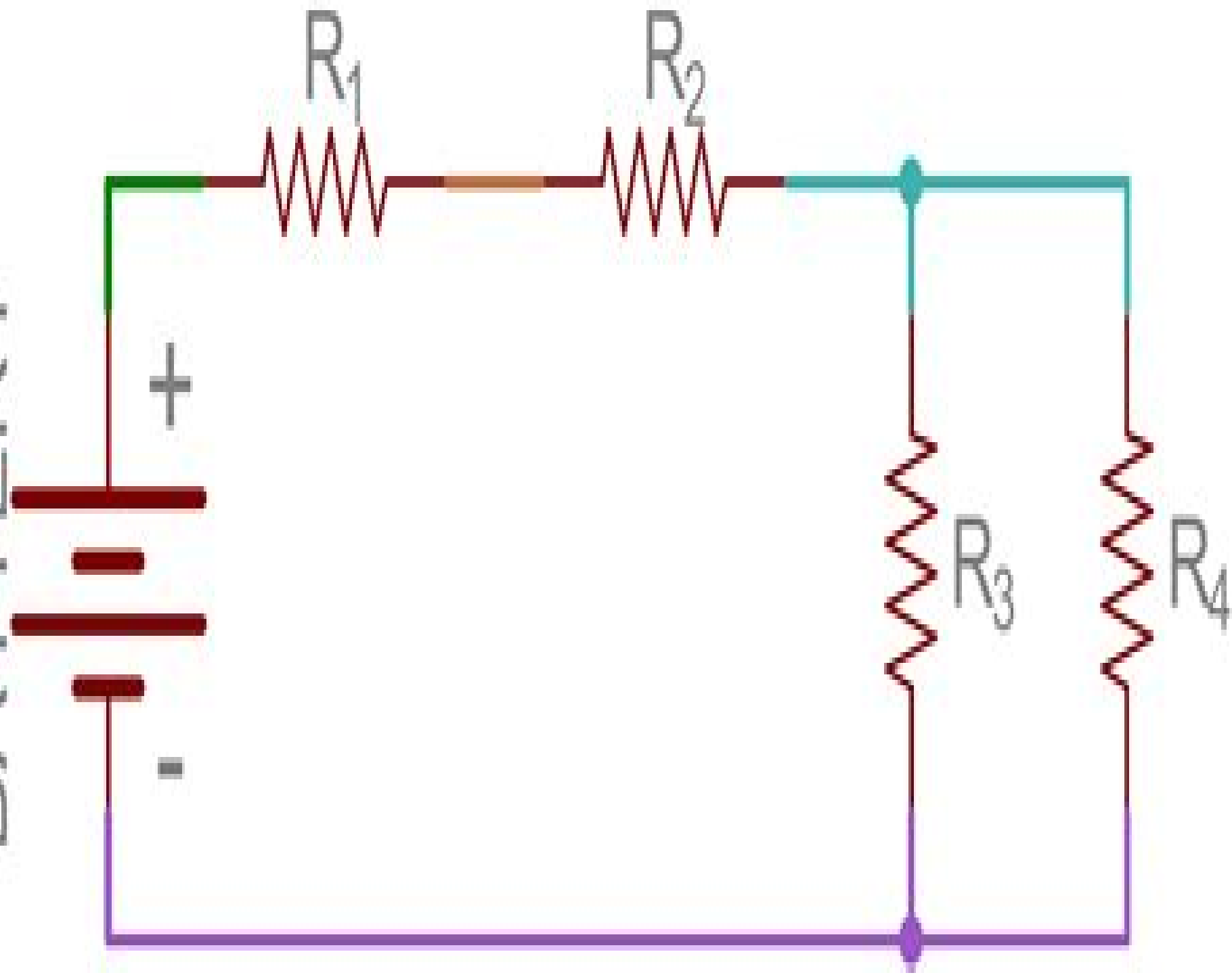


BATTERY



# Parallel Series Circuit Diagrams

**John Avison**



## Parallel Series Circuit Diagrams:

Series, Parallel and Series-parallel Circuits, Klemens Nguyen, 2024-06-25 What can you learn from this book Here is the table of contents Series circuit How to make series circuit How to find resistance and voltage in a series circuit The units Voltage V or mV Current A or mA Resistance or k When to use each unit Practical examples easy to remember How to increase voltage in a circuit Battery connection tips How to find R equivalent in a circuit How to find voltage drop in a series circuit How to calculate current I in a series circuit How to calculate voltage drop in a series circuit Parallel circuit How to do parallel circuits How to find R equivalent in a parallel circuit How to find total current in a parallel circuit How to find voltage in a parallel circuit How to calculate voltage U in a parallel circuit How to calculate current I in a parallel circuit How to calculate resistance R in a parallel circuit How to increase the current drawn from batteries by connecting batteries in parallel Series parallel circuit Differences between series parallel and series parallel circuits Another series parallel circuit How to find R equivalent in a series parallel circuits How to calculate current in a series parallel circuit How to calculate voltage in a series parallel circuit How to measure resistance in a series parallel circuits So Dive into the world of series parallel and series parallel circuits with Series Parallel and Series Parallel Circuits Diagrams Calculations Ready Made Formulas Explanations Whether you re a beginner or looking to sharpen your skills this book offers clear explanations practical examples and step by step guides to help you understand and excel in circuit design and analysis What You Will Gain Clear Understanding Grasp the fundamentals of electrical circuits with easy to follow diagrams and explanations Practical Skills Apply ready made formulas and real world examples to your projects Step by Step Guidance Learn to calculate resistance voltage and current in various circuit configurations Don t miss out on mastering the essential skills needed for your electrical and electronics projects Get your copy today and start learning how to construct analyze and optimize your circuits like a pro Get Your Copy Now and Start Learning **The World of Physics 2nd Edition** John Avison, 2014-11 A clear and easy to follow textbook including material on forces machines motion properties of matter electronics and energy problem solving investigations and practice in experimental design **Aircraft Electrical System** Mr. Rohit Manglik, 2024-07-26 EduGorilla Publication is a trusted name in the education sector committed to empowering learners with high quality study materials and resources Specializing in competitive exams and academic support EduGorilla provides comprehensive and well structured content tailored to meet the needs of students across various streams and levels *Accessing Series Science - 6 (10-11) - Teacher Book* Christine Moorcroft, 2005-02 Contains a complete package of resources for teaching science and includes a separate Teacher resource book accompanied by a colour photobook The resource book also contains a range of photocopyable activity sheets *Digital Overdrive: Automotive & Transportation Technology*, **Theory and Practice of Alternating Currents** Alfred Thomas Dover, 1926 Electronics Technician 3 United States. Bureau of Naval Personnel, 1951 **United States Army Training Manual** U.S. Adjutant-general's

office,1928 **Electrician's Exam Prep** Charles R. Miller,2008-04-28 Based on the successful training seminar conducted by NEC expert Charles R Miller The Electrician s Exam Prep Manual cuts through complex topics to help students pass Journeyman or Master Electrician licensing exams Using clear concise language this book takes users through the preparation process explaining every NEC topic along the way Aspiring electricians will feel prepared after completing the Manual s 23 sample exams addressing general electrical knowledge plus NEC rules A special feature identifies key Code sections for highlighting to assist in studying and to carry in to exams where allowed **Basic Electronics Explained: A Beginner's Guide to Circuits and Components** SREEKUMAR V T,2025-06-05 Are you curious about how electronic devices work Do terms like voltage current and resistance sound confusing Whether you re a student hobbyist or complete novice Basic Electronics Explained A Beginner s Guide to Circuits and Components is your gateway to understanding the fundamentals of electronics clearly simply and practically This hands on guide breaks down complex concepts into easy to follow explanations with real world examples and illustrations to help you grasp the essentials You ll learn about key electronic components like resistors capacitors diodes and transistors and how they work together in circuits Discover the differences between series and parallel circuits understand Ohm s Law and gain the confidence to build and troubleshoot basic electronic projects Whether you re looking to start a new hobby prepare for a technical course or simply understand the devices around you this book provides a strong foundation in electronic theory and practice no prior experience required In this book you ll learn The basics of electricity voltage current resistance and power How to identify and use essential electronic components The difference between series and parallel circuits How to read circuit diagrams and use a multimeter Safety tips for working with electronics Simple projects to test your knowledge and build skills Clear concise and beginner friendly Basic Electronics Explained is your first step toward mastering the fascinating world of electronics **Direct Currents** Carl Edward Magnusson,1929 **Cambridge IGCSE Combined and Co-ordinated Sciences** D. G. Mackean,Dave Hayward,Doug Wilford,Bryan Earl,Tom Duncan,Heather Kennett,2017-09-11 Exam Board Cambridge Assessment International Education Level IGCSE Subject Science First Teaching September 2015 First Exam June 2017 Make best use of your department s specialist skills with this all in one textbook designed and organized by an experienced Combined and Co ordinated Science syllabus teacher Providing full coverage for the Cambridge IGCSE Combined and Co ordinated Science 0653 and 0654 syllabuses this single textbook approach makes classroom teaching easier by covering the syllabus content for the three Sciences together in one place It facilitates a coordinated teaching approach across separate classes with content organized in line with the syllabus for subject specialists and provides easy and cost effective transitioning for students moving from a combined course to a coordinated one where they show clear improvement during their course Make classroom teaching easier with a single textbook covering the syllabus content for the three Sciences Use one textbook across separate classes with content organized in line with the syllabus for subject specialists Easy and cost

effective transitioning for students moving between the two levels with all content covered in one place *Specifications and Drawings of Patents Issued from the United States Patent Office* United States. Patent Office, 1904 [ASVAB Study Guide 2025-2026](#) Jake Nolan, 2024-12-24 Are you ready to conquer the ASVAB and unlock new career opportunities Whether you're aiming for a career in the military or seeking to enhance your problem-solving skills this comprehensive guide is your key to success Packed with expertly crafted practice questions detailed explanations and essential strategies this resource is designed to help you prepare for the ASVAB with confidence and precision This book covers all the critical areas of the ASVAB exam from Arithmetic Reasoning and Mathematics Knowledge to Mechanical Comprehension and Electronics Information Each section is broken down into manageable lessons that focus on the core concepts you need to master ensuring you're well-prepared for every question type With clear step-by-step instructions and tips for tackling even the toughest problems you'll feel empowered to take on the test and achieve your best score What sets this guide apart is its emphasis on practical application It's not just about memorizing facts it's about learning how to think critically and solve problems efficiently under pressure Through real-world examples practice tests and in-depth explanations you'll gain the skills to approach each section of the ASVAB with ease Whether you're struggling with algebraic equations mechanical reasoning or understanding complex diagrams this book provides the tools you need to improve your performance and boost your confidence The key to success is practice and this book delivers with hundreds of ASVAB-style questions and answers You'll be able to test your knowledge track your progress and identify areas for improvement Plus the detailed answer explanations will help you understand why each answer is correct allowing you to learn from your mistakes and avoid them in the future Perfect for students job-seekers and anyone looking to take the ASVAB this guide is designed to help you succeed Whether you're just starting your preparation or looking to fine-tune your skills this book will help you reach your full potential Don't leave your future to chance take control of your ASVAB preparation today and start building the foundation for your success tomorrow *Physics ( Electricity, Magnetism, And EM Theory )* Dr. Mahender Prasad Aggarwal, Dr. Prem Singh, Dr. S.K. Pandey, 2024-05-01 Buy *Physics Electricity Magnetism And EM Theory* MAJOR MINOR e-Book in English Language for B.Sc. 2nd Semester KUK CRS University NEP 2020 By Thakur publication **The Electrical Handling of Materials** Harold Hodgkinson Broughton, 1920 **Circuit Analysis For Dummies** John Santiago, 2013-04-22 Circuits overloaded from electric circuit analysis Many universities require that students pursuing a degree in electrical or computer engineering take an Electric Circuit Analysis course to determine who will make the cut and continue in the degree program *Circuit Analysis For Dummies* will help these students to better understand electric circuit analysis by presenting the information in an effective and straightforward manner *Circuit Analysis For Dummies* gives you clear-cut information about the topics covered in an electric circuit analysis course to help further your understanding of the subject By covering topics such as resistive circuits Kirchhoff's laws equivalent sub-circuits and energy storage this book distinguishes itself as the

perfect aid for any student taking a circuit analysis course Tracks to a typical electric circuit analysis course Serves as an excellent supplement to your circuit analysis text Helps you score high on exam day Whether you re pursuing a degree in electrical or computer engineering or are simply interested in circuit analysis you can enhance you knowledge of the subject with Circuit Analysis For Dummies     *Physics* Graham Dolan,Adrian Percival,1996 Part of a science series for Key Stage 4 which offers a choice of Foundation level books for average and lower ability students and Higher level material which covers the content for both tiers This is the student biology book for the Higher tier     **Leg O Lvl Science Physics** ,

**Jacaranda Science Quest 8 Victorian Curriculum, 3e learnON & Print** Graeme Lofts,Merrin J. Evergreen,2025-11-03 JACARANDA SCIENCE QUEST 8 VICTORIAN CURRICULUM THIRD EDITION Developed by expert teachers every lesson is carefully designed to support learning online offline in class and at home Supporting students Whether students need a challenge or a helping hand they have the tools to help them take the next step in class and at home jacTUTOR every student can have the help of a personal AI tutor when they get stuck in class or at home This purpose built tool sits safely within your Jacaranda resource so guidance will always be specific to that lesson question and curriculum Concepts brought to life with rich multimedia Easy navigation Differentiated pathways Immediate corrective feedback Sample responses for every question Personalised pathways that also allow for social learning Opportunities for remediation extension and acceleration Tracking progress and growth Supporting teachers Teachers are empowered to teach their class their way with flexible resources perfect for teaching and learning Hundreds of ready made and customisable lessons Comprehensive Syllabus coverage and planning documentation A variety of learning activities Marking tracking monitoring and reporting capabilities Ability to add own materials Supporting schools Schools are set up for success with our unmatched customer service training and solutions tailored to you Learning Management System LMS integration Online class set up Dedicated customer specialists Tools to manage classes Bookseller app integration Complimentary resources for teachers Curriculum planning Data insights Flexible subscription services at unbeatable prices

Embark on a breathtaking journey through nature and adventure with Crafted by is mesmerizing ebook, **Parallel Series Circuit Diagrams** . This immersive experience, available for download in a PDF format ( PDF Size: \*), transports you to the heart of natural marvels and thrilling escapades. Download now and let the adventure begin!

<https://crm.avenza.com/results/book-search/default.aspx/propuesta%20de%20arrendamiento.pdf>

## **Table of Contents Parallel Series Circuit Diagrams**

1. Understanding the eBook Parallel Series Circuit Diagrams
  - The Rise of Digital Reading Parallel Series Circuit Diagrams
  - Advantages of eBooks Over Traditional Books
2. Identifying Parallel Series Circuit Diagrams
  - Exploring Different Genres
  - Considering Fiction vs. Non-Fiction
  - Determining Your Reading Goals
3. Choosing the Right eBook Platform
  - Popular eBook Platforms
  - Features to Look for in an Parallel Series Circuit Diagrams
  - User-Friendly Interface
4. Exploring eBook Recommendations from Parallel Series Circuit Diagrams
  - Personalized Recommendations
  - Parallel Series Circuit Diagrams User Reviews and Ratings
  - Parallel Series Circuit Diagrams and Bestseller Lists
5. Accessing Parallel Series Circuit Diagrams Free and Paid eBooks
  - Parallel Series Circuit Diagrams Public Domain eBooks
  - Parallel Series Circuit Diagrams eBook Subscription Services
  - Parallel Series Circuit Diagrams Budget-Friendly Options
6. Navigating Parallel Series Circuit Diagrams eBook Formats

- ePub, PDF, MOBI, and More
  - Parallel Series Circuit Diagrams Compatibility with Devices
  - Parallel Series Circuit Diagrams Enhanced eBook Features
7. Enhancing Your Reading Experience
    - Adjustable Fonts and Text Sizes of Parallel Series Circuit Diagrams
    - Highlighting and Note-Taking Parallel Series Circuit Diagrams
    - Interactive Elements Parallel Series Circuit Diagrams
  8. Staying Engaged with Parallel Series Circuit Diagrams
    - Joining Online Reading Communities
    - Participating in Virtual Book Clubs
    - Following Authors and Publishers Parallel Series Circuit Diagrams
  9. Balancing eBooks and Physical Books Parallel Series Circuit Diagrams
    - Benefits of a Digital Library
    - Creating a Diverse Reading Collection Parallel Series Circuit Diagrams
  10. Overcoming Reading Challenges
    - Dealing with Digital Eye Strain
    - Minimizing Distractions
    - Managing Screen Time
  11. Cultivating a Reading Routine Parallel Series Circuit Diagrams
    - Setting Reading Goals Parallel Series Circuit Diagrams
    - Carving Out Dedicated Reading Time
  12. Sourcing Reliable Information of Parallel Series Circuit Diagrams
    - Fact-Checking eBook Content of Parallel Series Circuit Diagrams
    - Distinguishing Credible Sources
  13. Promoting Lifelong Learning
    - Utilizing eBooks for Skill Development
    - Exploring Educational eBooks
  14. Embracing eBook Trends
    - Integration of Multimedia Elements
    - Interactive and Gamified eBooks



### Parallel Series Circuit Diagrams Introduction

In the digital age, access to information has become easier than ever before. The ability to download Parallel Series Circuit Diagrams has revolutionized the way we consume written content. Whether you are a student looking for course material, an avid reader searching for your next favorite book, or a professional seeking research papers, the option to download Parallel Series Circuit Diagrams has opened up a world of possibilities. Downloading Parallel Series Circuit Diagrams provides numerous advantages over physical copies of books and documents. Firstly, it is incredibly convenient. Gone are the days of carrying around heavy textbooks or bulky folders filled with papers. With the click of a button, you can gain immediate access to valuable resources on any device. This convenience allows for efficient studying, researching, and reading on the go. Moreover, the cost-effective nature of downloading Parallel Series Circuit Diagrams has democratized knowledge. Traditional books and academic journals can be expensive, making it difficult for individuals with limited financial resources to access information. By offering free PDF downloads, publishers and authors are enabling a wider audience to benefit from their work. This inclusivity promotes equal opportunities for learning and personal growth. There are numerous websites and platforms where individuals can download Parallel Series Circuit Diagrams. These websites range from academic databases offering research papers and journals to online libraries with an expansive collection of books from various genres. Many authors and publishers also upload their work to specific websites, granting readers access to their content without any charge. These platforms not only provide access to existing literature but also serve as an excellent platform for undiscovered authors to share their work with the world. However, it is essential to be cautious while downloading Parallel Series Circuit Diagrams. Some websites may offer pirated or illegally obtained copies of copyrighted material. Engaging in such activities not only violates copyright laws but also undermines the efforts of authors, publishers, and researchers. To ensure ethical downloading, it is advisable to utilize reputable websites that prioritize the legal distribution of content. When downloading Parallel Series Circuit Diagrams, users should also consider the potential security risks associated with online platforms. Malicious actors may exploit vulnerabilities in unprotected websites to distribute malware or steal personal information. To protect themselves, individuals should ensure their devices have reliable antivirus software installed and validate the legitimacy of the websites they are downloading from. In conclusion, the ability to download Parallel Series Circuit Diagrams has transformed the way we access information. With the convenience, cost-effectiveness, and accessibility it offers, free PDF downloads have become a popular choice for students, researchers, and book lovers worldwide. However, it is crucial to engage in ethical downloading practices and prioritize personal security when utilizing online platforms. By doing so, individuals can make the most of the vast array of free PDF resources available and embark on a journey of continuous learning and intellectual growth.

### FAQs About Parallel Series Circuit Diagrams Books

1. Where can I buy Parallel Series Circuit Diagrams books? Bookstores: Physical bookstores like Barnes & Noble, Waterstones, and independent local stores. Online Retailers: Amazon, Book Depository, and various online bookstores offer a wide range of books in physical and digital formats.
2. What are the different book formats available? Hardcover: Sturdy and durable, usually more expensive. Paperback: Cheaper, lighter, and more portable than hardcovers. E-books: Digital books available for e-readers like Kindle or software like Apple Books, Kindle, and Google Play Books.
3. How do I choose a Parallel Series Circuit Diagrams book to read? Genres: Consider the genre you enjoy (fiction, non-fiction, mystery, sci-fi, etc.). Recommendations: Ask friends, join book clubs, or explore online reviews and recommendations. Author: If you like a particular author, you might enjoy more of their work.
4. How do I take care of Parallel Series Circuit Diagrams books? Storage: Keep them away from direct sunlight and in a dry environment. Handling: Avoid folding pages, use bookmarks, and handle them with clean hands. Cleaning: Gently dust the covers and pages occasionally.
5. Can I borrow books without buying them? Public Libraries: Local libraries offer a wide range of books for borrowing. Book Swaps: Community book exchanges or online platforms where people exchange books.
6. How can I track my reading progress or manage my book collection? Book Tracking Apps: Goodreads, LibraryThing, and Book Catalogue are popular apps for tracking your reading progress and managing book collections. Spreadsheets: You can create your own spreadsheet to track books read, ratings, and other details.
7. What are Parallel Series Circuit Diagrams audiobooks, and where can I find them? Audiobooks: Audio recordings of books, perfect for listening while commuting or multitasking. Platforms: Audible, LibriVox, and Google Play Books offer a wide selection of audiobooks.
8. How do I support authors or the book industry? Buy Books: Purchase books from authors or independent bookstores. Reviews: Leave reviews on platforms like Goodreads or Amazon. Promotion: Share your favorite books on social media or recommend them to friends.
9. Are there book clubs or reading communities I can join? Local Clubs: Check for local book clubs in libraries or community centers. Online Communities: Platforms like Goodreads have virtual book clubs and discussion groups.
10. Can I read Parallel Series Circuit Diagrams books for free? Public Domain Books: Many classic books are available for free as they're in the public domain. Free E-books: Some websites offer free e-books legally, like Project Gutenberg or Open Library.

**Find Parallel Series Circuit Diagrams :**

[propuesta de arrendamiento](#)

[project server 20report pack](#)

[property management district manager salary](#)

**progressive steps in architectural drawing illustrated**

[property preservation expense guideline manual](#)

[property management companies easley se](#)

[properties of exponents chart](#)

*prosecco pink franki amato mysteries book 2*

[property management jobs rochester mn](#)

[project management harold kerzner 10th edition](#)

*propane forklift service manual*

[project profile on automatic voltage stabilizer](#)

*properties of matter wordwise*

**prometric pediatric exam in oman**

[property management companies corvallis oregon](#)

**Parallel Series Circuit Diagrams :**

[loading interface goodreads](#) - Dec 19 2021

web jan 1 1999 various is the correct author for any book with multiple unknown authors and is acceptable for books with multiple known authors especially if not all are known or the

**english file upper intermediate clive oxenden christina** - Jan 20 2022

web discover and share books you love on goodreads

*english file intermediate workbook with key by various* - Mar 22 2022

web english file pre intermediate workbook with key and ichecker oxenden clive latham koenig christina amazon com tr kitap İngilizce baskı clive oxenden

*christina latham koenig clive oxenden academia edu* - Apr 22 2022

web various is the correct author for any book with multiple unknown authors and is acceptable for books with multiple known authors especially if not all are known or the list is very

**english file intermediate student s book by various goodreads** - Nov 17 2021

**english file 3rd edition intermediate plus workbook without** - Jun 24 2022

web sort by previous 1 2 3 4 5 6 7 8 9 10 next note these are all the books on goodreads for this author to add more books click here clive oxenden has 278 books on

**new english file series by oxenden clive goodreads** - Oct 29 2022

web english file intermediate workbook with key latham koenig christina oxenden clive chomacki kate amazon com tr kitap Çerez tercihlerinizi seçin Çerez

**downloads english file oxford university press** - Aug 07 2023

web download audio and video resources to help you study better with english file please note that songs and other third party owned material are not available for download

**books by clive oxenden author of new english file goodreads** - May 24 2022

web new english file pre intermediate book pdf pdf christina latham koenig clive oxenden emanuela medeiros academia edu academia edu no longer supports internet explorer

**english file intermediate workbook with key by clive oxenden** - Dec 31 2022

web to find out more about the app click on the english file pronunciation app tab english file by clive oxenden et al published by oxford university press series key features

**new english file intermediate teacher s book clive oxenden** - Aug 27 2022

web clive oxenden trained to teach efl at international house london and later took his rsa cert at bromley college kent he has taught english and trained teachers for 23

**english file intermediate christina latham koenig clive** - Apr 03 2023

web dec 13 2018 english file s unique lively and enjoyable lessons are renowned for getting students talkingenglish file fourth edition has been built on tried and trusted

*english file intermediate plus workbook with key english file* - Feb 01 2023

web apr 25 2013 english file intermediate workbook with key by clive oxenden 4 71 rating details 7 ratings 0 reviews sample materials available from the english file

*english file intermediate workbook with key kağıt kapak* - Sep 27 2022

web aug 24 2006 new english file intermediate teacher s book clive oxenden christina latham koenig brian brennan oxford university press 2007 foreign language study

**english file pre intermediate workbook with key and ichecker** - Feb 18 2022

web english file is a multi level course for adults and young adults which genuinely understands the realities of both learning and teaching each level provides between 60 and 120

**new english file student s book clive oxenden christina** - Jul 06 2023

web apr 23 2021 new english file student s book by clive oxenden christina latham koenig paul seligson topics english collection opensource language english

**english file third edition intermediate adults young adults** - Oct 09 2023

web 978 0 19 455526 5 english file third edition provides the right mix of language motivation and o student s book with oxford online skills 978 0 19 490957 0

english file third edition student book intermediate by clive - Nov 29 2022

web new english file series 33 primary works 33 total works book 1 new english file beginner student s book by oxenden clive 3 65 37 ratings 2 reviews published

*intermediate third edition english file oxford university press* - Sep 08 2023

web grammar practise your grammar with exercises for each file vocabulary practise your vocabulary with exercises for each file pronunciation practise the sounds of english

clive oxenden oxford university press - Jul 26 2022

web english file 3rd edition intermediate plus workbook without key by oxenden clive isbn 10 019455810x isbn 13 9780194558105 oxford university press españa s a

*english file third edition intermediate student s book with itutor* - Jun 05 2023

web may 9 2013 english file third edition intermediate student s book with itutor and online skills christina latham koenig clive oxenden paul seligson oup oxford may

english file adults young adults oxford university - May 04 2023

web apr 18 2019 about the author 2019 clive oxenden has taught english and trained teachers for 23 years mainly in spain but also in turkey kuwait algeria and the uk

**english file intermediate christina latham koenig clive** - Mar 02 2023

web workbook with key english file third edition latham koenig christina oxenden clive amazon com tr kitap Çerez tercihlerinizi seçin Çerez bildirimimizde ayrıntılı

europa s problems are far bigger than a shallow recession - Dec 01 2021

web nov 14 2023 00 00 frankfurt nov 14 reuters the euro zone appears to be in the middle of another recession but worries about whether definitive growth figures due early next year will have a plus or

**the euro and its threat to the future of europe paperback** - Dec 13 2022

web the euro and its threat to the future of europe paperback 28 nov 2017 by joseph stiglitz author 4 4 422 ratings see all formats and editions

*the euro and its threat to the future of europe semantic scholar* - Jun 07 2022

web mar 1 2017 trade wars are class wars after europe currency war se urabia paperback the european union the fall of the euro reinventing the eurozone and the future of global investing safeguarding financial stability theory and practice importance measures in reliability risk and optimization the euro area crisis in constitutional perspective this expansion of the eu opportunity or threat *the guardian* - Aug 29 2021

web nov 16 2023 date wednesday 29 november 2023 time 7pm 8 15pm gmt book tickets thu 16 nov 2023 11 51 est book tickets a formal decision to open eu membership negotiations with ukraine and moldova is due

*the euro and its threat to the future of europe google books* - Feb 15 2023

web in the euro nobel prize winning economist and bestselling author joseph e stiglitz dismantles

**the euro and its threat to the future of europe by joseph stiglitz** - Jul 20 2023

web aug 5 2016 the euro and its threat to the future of europe by joseph stiglitz the nobel prize winner is merciless in his critique of the euro but offers a glimpse of what rescue might have looked

**the euro and its threat to the future of europe european** - Jan 14 2023

web penguin presents the audiobook edition of the euro and its threat to the future of europe by joseph stiglitz read by mike fitzpatrick from nobel prize winning economist and best selling author joseph sitglitz author of globalization and its discontents this is the essential audio guide to the future of europe solidarity and prosperity fostered by

*the euro and its threat to the future of europe google books* - Apr 17 2023

web penguin books limited aug 16 2016 political science 512 pages from nobel prize winning

**the euro and its threat to the future of europe** - Aug 21 2023

web the euro and its threat to the future of europe joseph e stiglitz w w norton company 2016 since the onset of the euro zone crisis two schools of thought have emerged offering different diagnoses of the single currency area s woes

*the euro and its threat to the future of europe alibris* - Sep 10 2022

web from nobel prize winning economist and best selling author joseph sitglitz author of globalization and its discontents this is the essential must read guide to the future of europe solidarity and prosperity fostered by economic integration this principle has underpinned the european project from the start and the establishment of a common

[the euro and its threat to the future of europe audiobooks com](#) - Aug 09 2022

web penguin presents the audiobook edition of the euro and its threat to the future of europe by joseph stiglitz read by mike fitzpatrick br br from nobel prize winning economist and best selling author joseph sitglitz author of globalization and its

discontents this is the essential audio guide to the future of europe br br

**europe markets rise to end the week volvo down 10 on share** - Jul 28 2021

web nov 17 2023 european markets looked set to start friday in the green after a reversal of momentum in the previous session the pan european stoxx 600 index ended thursday down 0.7 with oil and gas shares

**the euro and its threat to the future of europe by joseph stiglitz** - Jul 08 2022

web brexit has plunged the european union into its deepest existential crisis since belgium france west germany italy the netherlands and luxembourg set the ball rolling by founding the european

*the euro and its threat to the future of europe amazon.co.uk* - Mar 04 2022

web penguin presents the unabridged downloadable audiobook edition of the euro and its threat to the future of europe by joseph stiglitz read by mike fitzpatrick from nobel prize winning economist and best selling author joseph stiglitz author of

globalization and its discontents this is the essential audio guide to the future of europe solidarity and

*the euro and its threat to the future of europe worldcat.org* - Oct 11 2022

web nobel prize winning economist joseph e stiglitz dismantles the prevailing consensus around what ails europe arguing that economic stagnation is a direct result of the euro's flawed birth demolishing the champions of austerity and offering solutions that can rescue the continent from further devastation

*the euro and its threat to the future of europe oxford academic* - Oct 23 2023

web mar 1 2017 this is not the end of the world currencies come and go if the reforms to the eurozone are beyond the reach it is better to abandon the euro to save europe and the european project p 294 simply put the european project is too important to be destroyed by the euro p xxi

*the euro and its threat to the future of europe by joseph stiglitz* - Mar 16 2023

web sep 1 2016 from the afterword to joseph stiglitz's the euro and its threat to the future of europe europe's response to the uk's referendum was dominated by the same harsh response that greeted greece's june 2015 ballot box rejection of its bailout package

[the euro and its threat to the future of europe amazon.com](#) - Jun 19 2023

web aug 16 2016 this book is most interesting in its demonstration of the failure of europe and the euro but the assumption is basically wrong europe does not function only on money and its humanism is a deliberate choice for a world where other values play a role

**the euro and its threat to the future of europe by joseph stiglitz** - Sep 22 2023

web aug 22 2016 the euro and its threat to the future of europe by joseph stiglitz review the economist exposes the flaws of the common currency but his solutions for reform don't convince

**the euro and its threat to the future of europe kindle edition** - Apr 05 2022

web designed to bring the european union closer together the euro has actually done the opposite after nearly a decade without growth unity has been replaced with dissent and enlargements with prospective exits

*here s what will happen if the euro fails investopedia* - Oct 31 2021

web aug 19 2021 key takeaways euro based countries face challenges as the 2020 crisis has caused the growth rate to decline by approximately 12 in q2 2020 a collapsed euro would likely compromise the schengen

what markets are trying to tell europe and why it should listen - Jan 02 2022

web oct 26 2023 the euro has fallen by around a quarter against the greenback over the past decade though it remains higher than at the launch of its coins and notes in 2002 many factors go into currency prices

the euro and its threat to the future of europe kindle edition - Jun 26 2021

web aug 16 2016 the euro and its threat to the future of europe kindle edition by stiglitz joseph download it once and read it on your kindle device pc phones or tablets use features like bookmarks note taking and highlighting while reading the euro and its threat to the future of europe

the euro and its threat to the future of europe hardcover - May 18 2023

web buy the euro and its threat to the future of europe 01 by stiglitz joseph isbn 9780241258156 from amazon s book store everyday low prices and free delivery on eligible orders

*the euro and its threat to the future of europe* - Nov 12 2022

web the euro and its threat to the future of europe inproceedings stiglitz2016theea title the euro and its threat to the future of europe author j e stiglitz year 2016 j stiglitz published 16 august 2016 economics

europe outlook 2024 economist intelligence unit - Sep 29 2021

web nov 15 2023 europe outlook 2024 despite significant economic headwinds facing europe the most pressing developments to monitor next year will be the performance of new governments and decarbonisation efforts our latest report europe outlook 2024 outlines the trends that will shape the economic political and policy landscapes in the

*the euro and its threat to the future of europe archive org* - May 06 2022

web the euro and its threat to the future of europe by stiglitz joseph e author publication date 2017 topics european union euro currency question european union countries european federation financial crises european union countries monetary policy european union countries international economic integration currency question

**the euro and its threat to the future of europe amazon** - Feb 03 2022

web hello sign in account lists returns orders cart

*lonely planet melbourne victoria travel guide kindle edition* - Aug 04 2022



web lonely planet melbourne victoria travel guide ebook morgan kate armstrong kate bonetto cristian dragicevich peter holden trent amazon com au kindle store kindle store

*lonely planet melbourne victoria travel guide english* - Jul 03 2022

web lonely planet melbourne victoria travel guide english edition ebook morgan kate armstrong kate bonetto cristian dragicevich peter holden trent amazon de kindle shop

**unishop melbourne victoria lonely planet travel guide** - Mar 31 2022

web lonely planet the world s leading travel guide publisher lonely planet melbourne victoria is your passport to the most relevant up to date advice on what to see and skip and what hidden discoveries await you get lost in melbourne s laneways dr engineering and information sciences eis civil mining and environmental engineering

victoria travel lonely planet australia australia pacific - Jul 15 2023

web from mountain ranges to former gold mining towns here s our pick of the best victoria road trips from melbourne wildlife nature top 10 national parks in australia

melbourne victoria travel guidebook lonely planet shop - Mar 11 2023

web buy lonely planet melbourne victoria travel guidebook direct from lonely planet available in print and digital ebook downloads

**lonely planet melbourne and victoria 6 matching results** - Feb 27 2022

web san salvador lima rio de janeiro sao paulo oceania brisbane melbourne north island nz south island nz sydney about lonely planet started in 1973 lonely planet has become the world s leading travel guide publisher

**lonely planet melbourne victoria google books** - Jun 02 2022

web lonely planetmelbourne victoria is your passport to the most relevant up to date advice on what to see and skip and what hidden discoveries await you get lost in melbourne s laneways

**lonely planet melbourne victoria travel guide paperback** - Jan 09 2023

web jul 18 2014 lonely planet the world s leading travel guide publisher lonely planet melbourne victoria is your passport to the most relevant up to date advice on what to see and skip and what hidden discoveries await you discover melbourne s laneways and arcades soak up spectacular scenery along the great ocean road or enjoy food wine

must see attractions melbourne victoria lonely planet - May 13 2023

web must see attractions in melbourne considered one of the finest examples of victorian era landscaping in the world melbourne s royal botanic gardens draw over two million visitors a year

*melbourne victoria travel guidebook lonely planet shop* - Jun 14 2023

web lonely planet will get you to the heart of melbourne victoria with amazing travel experiences and the best planning

advice lonely planet melbourne victoria is your passport to the most relevant up to date advice on what to see and skip and what hidden discoveries await you

**melbourne victoria around melbourne download lonely planet** - Sep 05 2022

web download the around melbourne ebook of lonely planet s melbourne victoria guidebook from lonelyplanet com

*lonely planet melbourne victoria chapter from australia travel guide* - Jan 29 2022

web new york timesthis ebook offering is an excerpt of lonely planet s latest australia guide book and includes melbourne victoria chapters understanding australia melbourne victoria maps melbourne is victoria s urban hub and the nation s artistic centre

**lonely planet melbourne victoria travel guide** - Feb 10 2023

web the perfect choice lonely planet melbourne victoria our most comprehensive guide to melbourne victoria is perfect for both exploring top sights and taking roads less travelled looking for just the highlights of melbourne

**melbourne region travel destinations lonely planet** - Oct 06 2022

web where to go best places to stay travel tips and and best holiday destinations inspiration from the experts at lonely planet

[melbourne victoria travel guide on apple books](#) - Nov 07 2022

web the perfect choice lonely planet melbourne victoria our most comprehensive guide to melbourne victoria is perfect for both exploring top sights and taking roads less travelled looking for just the highlights of melbourne check out pocket melbourne a handy sized guide focused on the can t miss sights for a quick trip

*australia s gateway to adventure victoria australia* - Dec 28 2021

web victoria australia s gateway to adventure discover adventure beyond melbourne in regional victoria set out along the iconic great ocean road hike spectacular trails in the grampians and more

**lonely planet melbourne victoria travel guide by kate** - May 01 2022

web inside lonely planet melbourne victoria the perfect lonely planet melbourne victoria our most comprehensive guide to melbourne victoria is perfect for both exploring top sights and taking roads less travelled

**melbourne victoria lonely planet travel guide booktopia** - Dec 08 2022

web nov 1 2017 lonely planet melbourne victoria is your passport to the most relevant up to date advice on what to see and skip and what hidden discoveries await you get lost in melbourne s laneways drive the great ocean road or hear the roar of the fans at the melbourne cricket ground all with your trusted travel companion

*melbourne travel lonely planet victoria australia australia* - Aug 16 2023

web get to the heart of melbourne with one of our in depth award winning guidebooks covering maps itineraries and expert guidance shop our guidebooks go beyond

**melbourne region travel lonely planet victoria australia** - Apr 12 2023

web purchase our award winning guidebooks get to the heart of melbourne region with one of our in depth award winning guidebooks covering maps itineraries and expert guidance shop our guidebooks