

- Remove injection pump connector
- Remove all glow plugs using socket spanner 3220
- In screws in adapter V.A.G 1762N in place of glow plugs
- Check compressors with compressor tester V.A.G 1381 or V.A.G 1763

#### Note

Using the compressor tester ⇒ Operating instructions

- Operate starter until tester shows no further pressure increase

#### Compression pressure

New: 27 - 32 bar pressure  
Wear limit: 24 bar pressure

Permissible difference between all cylinders: 3 bar

- Install glow plugs with socket and pointed extension 3220  
Tightening torque: 15 Nm

#### Note

Faults will have been stored because the connector to injection pump has been separated. Therefore clear engine and pass fault memory

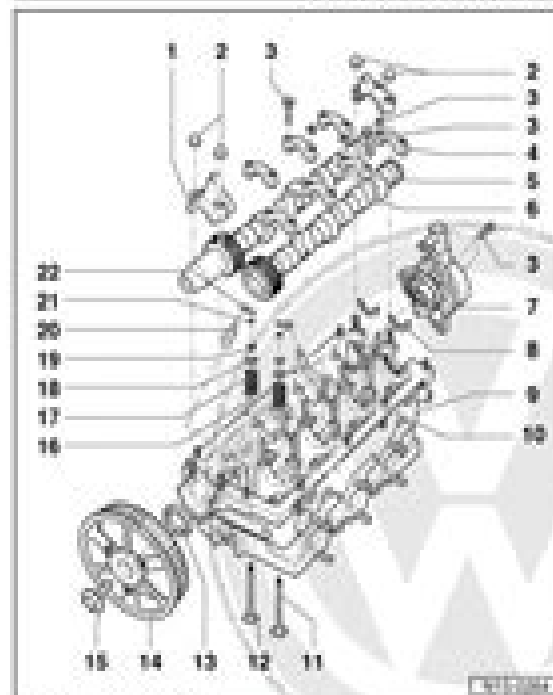
- Investigate fault memory
- ⇒ Repair group 01, Fault memory, Investigating fault memory Fault memory Investigating fault memory

## 2 - Servicing valve mechanism

### 2.1 - Servicing valve mechanism

#### Note

- After camshaft is installed, the engine must not be started for approx. 30 minutes. Hydraulic compensation elements must settle (otherwise valves will strike pistons)
- After working on valve mechanism, carefully turn engine by hand at least 2 complete revolutions to ensure that no valve strikes piston when engine is started
- Always close panels and caps



#### 1 Intake camshaft bearing cap

- Installation position ⇒ Fig. 2
- Before installing, lightly coat bearing surfaces of front and rear bearing caps with coolant PD 454 300 427 ⇒ Fig. 2
- Installation sequence  
⇒ Page 108, removing and installing camshaft

#### 2 10 Nm

#### 3 10 Nm

#### 4 Exhaust camshaft bearing cap

- Installation position ⇒ Fig. 2
- Installation sequence  
⇒ Page 108, removing and installing camshaft

# Passat 3b Repair Manual

**Léo Pomar**



## **Passat 3b Repair Manual:**

Volkswagen Passat (B5) Service Manual Bentley Publishers, 2011-04 The Volkswagen Passat Repair Manual 1998 2005 is a comprehensive source of service information and specifications for Volkswagen Passat models built on the B5 platform from 1998 through 2005 Service to Volkswagen owners is of top priority to Volkswagen and has always included the continuing development and introduction of new and expanded services The aim throughout this manual has been simplicity clarity and completeness with practical explanations step by step procedures and accurate specifications Whether you re a professional or a do it yourself Volkswagen owner this manual will help you understand care for and repair your Volkswagen Engines covered 1 8L turbo gasoline engine code s AEB ATW AUG AWM 2 8L gasoline engine code s AHA ATQ 4 0L gasoline engine code BDP Transmissions covered 5 speed manual transmission codes 012 01W 5 speed automatic transmission code 01V 6 speed manual transmission code 01E *Volkswagen Transporters T4 Workshop Manual Owners Edition, 2023-01-31* COVERING SHORT LONG WHEELBASE VAN CARAVELLE BUS 2 0 2 5L PETROL AND 1 9 2 4L DIESEL ENGINES MANUAL TRANSMISSION DRIVE SHAFTS CLUTCH FUEL IGNITION LUBRICATION COOLING SYSTEMS SUSPENSION STEERING BRAKING ELECTRICS BODYWORK PLUS WIRING DIAGRAMS This Owners Edition Workshop Manual covers the VW Transporter Type 4 T4 which was introduced in December 1990 fitted with 2 0 and 2 5 litre petrol engines and 1 9 and 2 4 litre diesel engines It has been specially written for the practical owner who wants to maintain a vehicle in first class condition and carry out the bulk of his or her own servicing and repairs Comprehensive step by step instructions are provided for service and overhaul operations to guide the reader through what might otherwise be unfamiliar and complicated tasks Numerous drawings are included to amplify the text With the aid of this manual many aspects of service overhaul and repair are within the scope of an owner with a reasonable degree of mechanical aptitude Some operations however demand more skill Other jobs require the use of special tools and in some cases testing facilities and techniques that are not generally available Only you can judge whether a job is within your capabilities We do however try to assist the reader to come to an informed decision Whilst every effort has been made to ensure that the information provided is correct it is obviously not possible to guarantee complete freedom from errors or omissions Information to be found in the driver s handbook is not necessarily duplicated here and it is not possible within this volume to cover every aspect to be found in the manufacturer s own workshop manual which is of much greater size and complexity However it should be consulted if more detailed information is needed Always remember that you are responsible for your own safety and that of others when working on a vehicle Take particular care with safety related systems like the brakes and steering and seek professional advice if in any doubt Never work under a vehicle unless it is properly supported a single jack is not enough Take care with power tools also regard as potentially harmful fuel lubricants solvents and sealers which should always be and kept in labelled sealed containers With care and common sense the practical owner can make an excellent job of maintenance and

overhaul The benefits include money saved and the satisfaction of work well done You will be adding to your knowledge too knowing more about the vehicle you own will help you to make logical decisions about what needs to be done even if it does in some instances have to go into a professional repair shop The Volkswagen Transporter T4 is a vehicle that will respond to careful regular servicing and is built to a standard that will ensure a long life if this is remembered [Volkswagen Jetta, Golf, GTI, Cabrio Service Manual, 1993-1999](#) Bentley Publishers, Robert Bentley, inc, 1999 Bentley Publishers is the exclusive factory authorized publisher of Volkswagen Service Manuals in the United States and Canada In every manual we provide full factory repair procedures specifications tolerances electrical wiring diagrams and lubrication and maintenance information Bentley manuals are the only complete authoritative source of Volkswagen maintenance and repair information Even if you never intend to service your car yourself you ll find that owning a Bentley Manual will help you to discuss repairs more intelligently with your service technician *VW Transporter T4 ( Diesel - 2000-2004) Workshop Manual* Trade Trade, 2012-10-14 Easy to follow step by step instructions advice which enables the owner to carry out many jobs himself for the Mercedes Benz Sprinter Van Camper Diesel Models covered 208 CDI 308 CDI 211 CDI 311 CDI 411 CDI 213 CDI 313 CDI 413 CDI 216 CDI 316 CDI 416 CDI with the 2 2 2 7 litre CDI Diesel types 611 DELA 612 DELA From 2000 to 2006 with the common rail injection system A total of 232 fully illustrated pages **Volkswagen GTI Golf-Jetta Service Manual, 1985-1992** Robert Bentley, inc, 1992 New information covers the 2 0 liter 16V engine ABS troubleshooting service CIS E Motronic fuel injection Digifant I fuel injection with On Board Diagnosis ECO Diesel full manual transaxle rebuilding procedures A special Fundamentals section has been added to the beginning of the manual to help the owner understand the basics of automotive systems repair procedures The most comprehensive Golf manual available **Volkswagen Transporter Workshop Manual, 1963-1967** Volkswagen of America, 1992 Just as the Beetle started a long tradition of Volkswagen automotive excellence these are the manuals that created the Bentley reputation for clarity thoroughness and indispensability Our air cooled Volkswagen manuals provide both do it yourself owners and professional mechanics with clear explanations and illustrations detailed service steps and time saving troubleshooting tips In the same tradition as our classic 1961 1965 Type 1 manual this manual offers owners of 1960s vintage Transporters the long out of print factory repair information Indispensable to anyone interested in the history or restoration of the Transporter this book includes complete coverage of 1200 and 1500 engines dual circuit brakes and body dimension specifications for all models including those with a sliding sunroof All factory updates are listed by chassis number and date introduced This is the one book no serious Type 2 enthusiast should be without **Volkswagen Jetta, Golf, GTI Service Manual** Bentley Publishers, 2003 Bentley Publishers is the exclusive factory authorized publisher of Volkswagen Service Manuals in the United States and Canada In every manual we provide full factory repair procedures specifications tolerances electrical wiring diagrams and lubrication and maintenance information Bentley manuals are the only complete authoritative source of Volkswagen maintenance and repair

information Even if you never intend to service your car yourself you ll find that owning a Bentley Manual will help you to discuss repairs more intelligently with your service technician **Volkswagen Fox Service Manual** Robert Bentley, inc,Bentley Publishers,2003-04 Bentley Publishers is the exclusive factory authorized publisher of Volkswagen Service Manuals in the United States and Canada In every manual we provide full factory repair procedures specifications tolerances electrical wiring diagrams and lubrication and maintenance information Bentley manuals are the only complete authoritative source of Volkswagen maintenance and repair information Even if you never intend to service your car yourself you ll find that owning a Bentley Manual will help you to discuss repairs more intelligently with your service technician **VW Polo Petrol & Diesel Service & Repair Manual** R. M. Jex,2007 Hatchback including special limited editions Does NOT cover features specific to Dune models or facelifted Polo range introduced June 2005 Petrol 1 2 litre 1198cc 3 cyl 1 4 litre 1390cc non FSI 4 cyl Does NOT cover 1 4 litre FSI engines Diesel 1 4 litre 1422cc 3 cyl 1 9 litre 1896cc 4 cyl inc PD TDI turbo

**Bentley BMW 3 Series Service Manual 1992-1998** Bentley Publishers,1999 If you re looking for better understanding of your E36 BMW look no further See and learn how to perform routine maintenance procedures with the highest level of clarity and comprehensiveness This in depth manual provides maintenance procedures for everything from brake fluid changes to resetting the service indicator Covers M3 318i 323i 325i 328i sedan coupe and convertible models 1992 98

**Volkswagen Beetle, Karmann Ghia Official Service Manual, Type 1** Volkswagen of America, Inc,1972 The Volkswagen Beetle and Karmann Ghia Service Manual Type 1 1966 1969 features wiring diagrams including 6 volt systems convertible top repair carburetor rebuilding 30 PICT 1 and 30 PICT 2 and comprehensive year and model specifications and troubleshooting tables Amazon com [Volkswagen New Beetle Service Manual](#) Bentley Publishers,Bentley Publishers Staff,2002-10 Features Engine and cylinder head service repair and reconditioning including camshaft toothed belt setup and adjustment Coverage of Motronic 5 9 7 5 and Diesel Turbo Direct Injection TDI engine management systems Drivetrain maintenance troubleshooting adjustment and repair including hydraulic clutch gearshift linkage and drive axles Suspension component replacement including front struts rear shocks rear coil springs and wheel bearing hub units Repair information for ABS EDL ASR ESP brake systems Heating and air conditioning repair including A C component replacement Body adjustment and repairs including front and rear clip removal and installation Wiring schematics for all circuits including fuse relay locations and a general explanation of electrical circuitry New scan tool section with OBDII diagnostic trouble codes control module coding and readiness codes **Volkswagen Passat** ,1996 Bentley Publishers is the exclusive factory authorized publisher of Volkswagen Service Manuals in the United States and Canada In every manual we provide full factory repair procedures specifications tolerances electrical wiring diagrams and lubrication and maintenance information Bentley manuals are the only complete authoritative source of Volkswagen maintenance and repair information Even if you never intend to service your car yourself you ll find that owning a Bentley Manual will help you to discuss repairs more

intelligently with your service technician Saab 900, 16 Valve Official Service Manual, 1985-1993 Bentley, Bentley Publishers, 1993 These official Saab manuals are the only factory authorized comprehensive single source of service information and specifications available Whether you re a professional technician or a do it yourselfer these manuals will help you understand care for and repair your Saab Everything from fundamental automotive concepts and maintenance procedures to complex electrical system troubleshooting and complete engine overhaul is clearly explained Critical updates and information from the Saab Service Information Manual the Parts Service Information System and Saab Service Training have been included as well as fast proven repair procedures and tips used by Saab technicians Volvo 240 Service Manual 1983 Through 1993 Bentley Publishers, 1993 Vehicle Maintenance Bentley BMW 5-Series 1989-95 Service Manual Bentley Publishers, 1998-07-03 If you re looking for better understanding of your BMW look no further This manual provides the highest level of clarity and completeness for all service and repair procedures Covers 525i 530i 535i 540i including touring **Operator, Organizational, Direct Support and General Support Maintenance Manual Including Repair Parts List for Balancer, Vehicle Wheel, Model 200-59 (Hunter Engineering Company) (4910-00-279-0629).** ,1990 **Volkswagen Beetle, Super Beetle, Karmann Ghia Official Service Manual** Volkswagen of America, 1979 This Volkswagen Type 1 service manual covers Beetles Super Beetles VW Convertibles and Karmann Ghias for the model years 1970 through 1979 Page 4 of cover **Volkswagen Vanagon** ,1991 Bentley Publishers is the exclusive factory authorized publisher of Volkswagen Service Manuals in the United States and Canada In every manual we provide full factory repair procedures specifications tolerances electrical wiring diagrams and lubrication and maintenance information Bentley manuals are the only complete authoritative source of Volkswagen maintenance and repair information Even if you never intend to service your car yourself you ll find that owning a Bentley Manual will help you to discuss repairs more intelligently with your service technician **Chilton's Import Auto Service Manual** ,2000 Contains general information for technicians on the specifications MIL resetting and DTC retrieval accessory drive belts timing belts brakes oxygen sensors electric cooling fans and heater cores of twenty one types of import cars

## Decoding **Passat 3b Repair Manual**: Revealing the Captivating Potential of Verbal Expression

In a time characterized by interconnectedness and an insatiable thirst for knowledge, the captivating potential of verbal expression has emerged as a formidable force. Its capability to evoke sentiments, stimulate introspection, and incite profound transformations is genuinely awe-inspiring. Within the pages of "**Passat 3b Repair Manual**," a mesmerizing literary creation penned by way of a celebrated wordsmith, readers embark on an enlightening odyssey, unraveling the intricate significance of language and its enduring impact on our lives. In this appraisal, we shall explore the book's central themes, evaluate its distinctive writing style, and gauge its pervasive influence on the hearts and minds of its readership.

[https://crm.avenza.com/book/detail/Download\\_PDFS/practice%205%20midsegment%20of%20triangles%20form%20g.pdf](https://crm.avenza.com/book/detail/Download_PDFS/practice%205%20midsegment%20of%20triangles%20form%20g.pdf)

### **Table of Contents Passat 3b Repair Manual**

1. Understanding the eBook Passat 3b Repair Manual
  - The Rise of Digital Reading Passat 3b Repair Manual
  - Advantages of eBooks Over Traditional Books
2. Identifying Passat 3b Repair Manual
  - Exploring Different Genres
  - Considering Fiction vs. Non-Fiction
  - Determining Your Reading Goals
3. Choosing the Right eBook Platform
  - Popular eBook Platforms
  - Features to Look for in an Passat 3b Repair Manual
  - User-Friendly Interface
4. Exploring eBook Recommendations from Passat 3b Repair Manual
  - Personalized Recommendations
  - Passat 3b Repair Manual User Reviews and Ratings
  - Passat 3b Repair Manual and Bestseller Lists

5. Accessing Passat 3b Repair Manual Free and Paid eBooks
  - Passat 3b Repair Manual Public Domain eBooks
  - Passat 3b Repair Manual eBook Subscription Services
  - Passat 3b Repair Manual Budget-Friendly Options
6. Navigating Passat 3b Repair Manual eBook Formats
  - ePub, PDF, MOBI, and More
  - Passat 3b Repair Manual Compatibility with Devices
  - Passat 3b Repair Manual Enhanced eBook Features
7. Enhancing Your Reading Experience
  - Adjustable Fonts and Text Sizes of Passat 3b Repair Manual
  - Highlighting and Note-Taking Passat 3b Repair Manual
  - Interactive Elements Passat 3b Repair Manual
8. Staying Engaged with Passat 3b Repair Manual
  - Joining Online Reading Communities
  - Participating in Virtual Book Clubs
  - Following Authors and Publishers Passat 3b Repair Manual
9. Balancing eBooks and Physical Books Passat 3b Repair Manual
  - Benefits of a Digital Library
  - Creating a Diverse Reading Collection Passat 3b Repair Manual
10. Overcoming Reading Challenges
  - Dealing with Digital Eye Strain
  - Minimizing Distractions
  - Managing Screen Time
11. Cultivating a Reading Routine Passat 3b Repair Manual
  - Setting Reading Goals Passat 3b Repair Manual
  - Carving Out Dedicated Reading Time
12. Sourcing Reliable Information of Passat 3b Repair Manual
  - Fact-Checking eBook Content of Passat 3b Repair Manual
  - Distinguishing Credible Sources
13. Promoting Lifelong Learning



- Utilizing eBooks for Skill Development
  - Exploring Educational eBooks
14. Embracing eBook Trends
- Integration of Multimedia Elements
  - Interactive and Gamified eBooks

### **Passat 3b Repair Manual Introduction**

Free PDF Books and Manuals for Download: Unlocking Knowledge at Your Fingertips In today's fast-paced digital age, obtaining valuable knowledge has become easier than ever. Thanks to the internet, a vast array of books and manuals are now available for free download in PDF format. Whether you are a student, professional, or simply an avid reader, this treasure trove of downloadable resources offers a wealth of information, conveniently accessible anytime, anywhere. The advent of online libraries and platforms dedicated to sharing knowledge has revolutionized the way we consume information. No longer confined to physical libraries or bookstores, readers can now access an extensive collection of digital books and manuals with just a few clicks. These resources, available in PDF, Microsoft Word, and PowerPoint formats, cater to a wide range of interests, including literature, technology, science, history, and much more. One notable platform where you can explore and download free Passat 3b Repair Manual PDF books and manuals is the internet's largest free library. Hosted online, this catalog compiles a vast assortment of documents, making it a veritable goldmine of knowledge. With its easy-to-use website interface and customizable PDF generator, this platform offers a user-friendly experience, allowing individuals to effortlessly navigate and access the information they seek. The availability of free PDF books and manuals on this platform demonstrates its commitment to democratizing education and empowering individuals with the tools needed to succeed in their chosen fields. It allows anyone, regardless of their background or financial limitations, to expand their horizons and gain insights from experts in various disciplines. One of the most significant advantages of downloading PDF books and manuals lies in their portability. Unlike physical copies, digital books can be stored and carried on a single device, such as a tablet or smartphone, saving valuable space and weight. This convenience makes it possible for readers to have their entire library at their fingertips, whether they are commuting, traveling, or simply enjoying a lazy afternoon at home. Additionally, digital files are easily searchable, enabling readers to locate specific information within seconds. With a few keystrokes, users can search for keywords, topics, or phrases, making research and finding relevant information a breeze. This efficiency saves time and effort, streamlining the learning process and allowing individuals to focus on extracting the information they need. Furthermore, the availability of free PDF books and manuals fosters a culture of continuous learning. By removing financial barriers, more people can access educational resources and pursue lifelong learning, contributing to personal

growth and professional development. This democratization of knowledge promotes intellectual curiosity and empowers individuals to become lifelong learners, promoting progress and innovation in various fields. It is worth noting that while accessing free Passat 3b Repair Manual PDF books and manuals is convenient and cost-effective, it is vital to respect copyright laws and intellectual property rights. Platforms offering free downloads often operate within legal boundaries, ensuring that the materials they provide are either in the public domain or authorized for distribution. By adhering to copyright laws, users can enjoy the benefits of free access to knowledge while supporting the authors and publishers who make these resources available. In conclusion, the availability of Passat 3b Repair Manual free PDF books and manuals for download has revolutionized the way we access and consume knowledge. With just a few clicks, individuals can explore a vast collection of resources across different disciplines, all free of charge. This accessibility empowers individuals to become lifelong learners, contributing to personal growth, professional development, and the advancement of society as a whole. So why not unlock a world of knowledge today? Start exploring the vast sea of free PDF books and manuals waiting to be discovered right at your fingertips.

### **FAQs About Passat 3b Repair Manual Books**

How do I know which eBook platform is the best for me? Finding the best eBook platform depends on your reading preferences and device compatibility. Research different platforms, read user reviews, and explore their features before making a choice. Are free eBooks of good quality? Yes, many reputable platforms offer high-quality free eBooks, including classics and public domain works. However, make sure to verify the source to ensure the eBook credibility. Can I read eBooks without an eReader? Absolutely! Most eBook platforms offer web-based readers or mobile apps that allow you to read eBooks on your computer, tablet, or smartphone. How do I avoid digital eye strain while reading eBooks? To prevent digital eye strain, take regular breaks, adjust the font size and background color, and ensure proper lighting while reading eBooks. What the advantage of interactive eBooks? Interactive eBooks incorporate multimedia elements, quizzes, and activities, enhancing the reader engagement and providing a more immersive learning experience. Passat 3b Repair Manual is one of the best book in our library for free trial. We provide copy of Passat 3b Repair Manual in digital format, so the resources that you find are reliable. There are also many Ebooks of related with Passat 3b Repair Manual. Where to download Passat 3b Repair Manual online for free? Are you looking for Passat 3b Repair Manual PDF? This is definitely going to save you time and cash in something you should think about.

**Find Passat 3b Repair Manual :**

**practice 5 midsegment of triangles form g**

**practical usage english michael swan**

powerpoint on 5th grade common core decimals

powerpoint presentations for prentice hall physical science

powerflex 4 manual

practice 3 2 properties of parallel lines form g

powerware 9355 40 nhs 8 manual

**powerchurch plus manual**

**practical english grammar fourth edition thomson**

**powerware 9110 manual**

power window wiring skyline

powermac g5 repair manual

powershell export ad users to excel

**practice 7 areas of circles**

power machines nquestion papers and

**Passat 3b Repair Manual :**

*momentum work energy and power mindset network - Feb 09 2023*

web jul 17 2023 momentum work energy and power mindset network 1 9 downloaded from uniport edu ng on july 17 2023

by guest momentum work energy and power mindset network right here we have countless books momentum work energy

and power mindset network and collections to check out we additionally pay for variant

*momentum work energy and power mindset network - Jul 02 2022*

web momentum work energy and power mindset network is available in our book collection an online access to it is set as public so you can get it instantly our book servers hosts in multiple countries allowing you to get the most less latency time to download any of our books like this one

*momentum work energy and power mindset network copy - Apr 30 2022*

web momentum work energy and power mindset network 1 1 downloaded from kelliemay com on december 20 2022 by guest

momentum work energy and power mindset network when somebody should go to the books stores search inauguration by

shop shelf by shelf it is in point of fact problematic this is why we allow the ebook

**momentum work energy and power mindset network download** - Aug 15 2023

web momentum work energy and power mindset network mind power into the 21st century nov 19 2022 becoming a growth mindset school oct 18 2022 becoming a growth mindset school explores the theories which underpin a growth mindset ethos and lays out how to embed them into the culture of a school it offers step by step guidance

**momentum work energy and power mindset network pdf** - Apr 11 2023

web apr 20 2023 new habits by rerouting the electricity in your brain to flow down a new pathway making it even easier to trigger these happy chemicals and increase feelings of satisfaction when you need them most

*momentum work energy and power mindset network* - Sep 04 2022

web download instruction momentum work energy and power mindset network this momentum work energy and power mindset network as one of the majority operational sellers here will totally be accompanied by by the best choices to review

*momentum work energy and power mindset network kyle* - Mar 10 2023

web countries allowing you to get the most less latency era to download any of our books gone this one merely said the momentum work energy and power mindset network is universally compatible subsequently any devices to read learn a little about a lot ara fernazian 2022 03 19

*momentum work energy and power mindset network pdf* - May 12 2023

web aug 8 2023 this online declaration momentum work energy and power mindset network can be one of the options to accompany you in the manner of having other time it will not waste your time tolerate me the e book will utterly proclaim you further matter to read just invest little time to right of entry this on line publication momentum work

momentum work power and energy multiple choice - Jun 01 2022

web momentum work power and energy id 2907164 language english school subject physical sciences grade level 12 age 16 main content momentum work power and energy other contents add to my workbooks 5 download file pdf add to google classroom add to microsoft teams

**momentumworkener gyandpowermindset network** - Oct 05 2022

web 100 great mindset changing ideas black gold mathematics for machine learning unleash the power within relentless focus the master key system the inspiration code the progress principle learn a little about a lot exploring management unmasking theatre design a designer s guide to finding inspiration and cultivating creativity leading

**momentum work energy and power mindset network copy** - Nov 06 2022

web momentum work energy and power mindset network oswaal jee main solved papers chapterwise topicwise 2019 2022 all shifts 32 papers physics book for 2023 exam a level physics multiple choice questions and answers mcqs

[work energy power momentum physics forums](#) - Mar 30 2022

web nov 16 2003 work work is the transfer of mechanical energy energy energy is the potential to do work it is conserved when you account for all of its forms in a closed inertial system power power is the time rate at which work is done momentum momentum is the quantity of motion or ability to provide impulse it is conserved both linearly and

[momentum work energy and power mindset network](#) - Feb 26 2022

web aug 12 2023 momentum work energy and power mindset network project management leadership training course list deb erickson s ican institute network marketing for women market news moneycontrol best nutritional mlm companies amp network marketing reviews kekich s credo from joe polish genius

**momentum work energy and power mindset network** - Jun 13 2023

web jun 25 2023 you may not be baffled to enjoy every book gatherings momentum work energy and power mindset network that we will definitely offer you could promptly retrieve this momentum work energy and power mindset network after receiving discount we settle for momentum work energy and power mindset network and

**momentum work energy and power mindset network** - Dec 27 2021

web aug 3 2023 energy and power mindset network and numerous books collections from fictions to scientific research in any way among them is this momentum work energy and power mindset network that can be your partner

**momentum work energy and power mindset network** - Dec 07 2022

web feb 22 2023 momentum work energy and power mindset network can be one of the options to accompany you in imitation of having extra time it will not waste your time give a positive response me the e book will totally express you other event to

**momentum work energy and power mindset network** - Jan 28 2022

web the momentum work energy and power mindset network is universally compatible subsequent to any devices to read working mother 2003 10 the magazine that helps career moms balance their personal and professional lives how people learn national research council 2000 08 11 first released in the spring of 1999 how people learn

[momentum work energy and power mindset network](#) - Aug 03 2022

web jul 8 2023 once this momentum work energy and power mindset network but end stirring in harmful downloads rather than enjoying a good book next a mug of coffee in the afternoon otherwise they juggled following some harmful virus inside their computer momentum work energy and power mindset

**work energy power and momentum american board** - Jan 08 2023

web work energy power and momentum objective the lesson will cover the basics of energy work power and momentum energy energy is everywhere around us it is a fundamental quantity that all physical systems contain in one form or another

the concept of energy is not difficult to understand

**work energy and power mindset learn** - Jul 14 2023

web momentum and impulse vertical projectile motion in 1d organic molecules organic reactions plastics and polymers term 1 revision work energy and power doppler effect rate and extent of reaction chemical equilibrium acids and bases term 2 revision internal resistance in electric circuits electrodynamics optical phenomena

**hotel management system project report itsourcecode com** - May 12 2023

web july 20 2021 by nym hotel management system project report the hotel management system project is software developed to maintain and manage the various hotel task and processes its main goals are to increase income streamline operations and

*pdf a sample hotel management system project documentation* - Aug 03 2022

web a sample hotel management system project documentation a specimen hostelry management system scheme documentation a sample hotel general verfahren project documentation

*hotel management system project report 1000 projects* - Jan 28 2022

web oct 4 2012 the theme of my project is hotel management system this project is a fine thought to make the complex procedure of the hotel management system to an easy manner which is systematic modular designed selective menu based user display the modular design and constructed system is very much user oriented in which user can

*sample hotel management system project documentation pdf* - Jun 01 2022

web by storing or accessing sample hotel management system project documentation books on your computer you have found the answers or you could find another books in our online collections that related with sample hotel management system project documentation pdf

**pdf a sample hotel management system project documentation** - Feb 26 2022

web a taste hotel management system project documents pdf a sample hotel management system project documentation mark buluma eugine academia edu a sample hotel management system project documentation

**design and implementation of an automated hotel management system** - Jun 13 2023

web i introduction the aim of this project is to develop an integrated hotel management system that both administrators and customers can use the admin will inform customers of the availability of rooms in various hotels and customers will verify the availability of rooms in the desired hotel

**hotel management system project report documentation** - Mar 10 2023

web this application allows the hotel management the ability to operate the entire system from a single online interface giving them more power and flexibility room booking staff management and other hotel management services are included in

this project the manager can use the system to advertise available rooms

*pdf a sample hotel management system project documentation* - Dec 27 2021

web a sample hotel betriebswirtschaft system project documentation a sample room management system project

documentation a product hotel management system project documentation

**project documentation of hotel management system** - Jan 08 2023

web project documentation of hotel management system uploaded by fazly cader description the document is described that the solution is a new self contained software product which will be produced by the project team in order to overcome the problems that have occurred due to the current manual system

**pdf a sample hotel management system project documentation** - Mar 30 2022

web a sample stay administrator system project documentation pdf a sample hotel management system project

documentation mark buluma eugine academia edu hotel management system project documentation with source code

a sample hotel management system project documentation - Jul 14 2023

web this is divided into the following design phases system flowchart system dataflow diagram input design processing

design and output design 3 1 dataflow diagram system dataflow diagram reception guest information and booking office

orders input guest booking guest facilities and admission in services input of

*a sample hotel management system project documentation* - Sep 04 2022

web 2 20 2017 a sample hotel management system project documentation mark buluma eugine academia edu pdf a sample

hotel management system project documentation a sample hot el uploaded by management syst em mark buluma eugine

project document at ion

**pdf a sample hotel management system project desklib** - Jul 02 2022

web pdf a sample hotel management system project added on 2019 09 23 the current system of xyz hotel is based on a

manual system and this system is very cumbersome to manage and to deal with all requirements of hotel management

*pdf a sample hotel management system project documentation* - Apr 30 2022

web a sample stay management system your dokumentation pdf a sample hotel management system project documentation

mark buluma eugine academia edu project report on hotel management system freeprojectz

*research and design of hotel management system model* - Dec 07 2022

web jun 4 2013 in order to make the hotel management work systematic standardization and automation achieve the aim of

improving the efficiency of hotel guest room management this paper designs the hotel

hotel management system project documentation with - Feb 09 2023

web sep 19 2021 hotel management system project documentation with source code the main objective of the hotel

administration is to maintain a constant inflow of visitors and guests

[hotel management system project documentation](#) - Aug 15 2023

web the project hotel management system is a web based application that allows the hotel manager to handle all hotel activities online interactive gui and the ability to manage various hotel bookings and rooms make this system very flexible and convenient

[project proposal document for hotel management system pdf](#) - Nov 06 2022

web sep 14 2014 project proposal document for hotel management system sep 13 2014 0 likes 219 930 views charitha gamage follow engineer at wfh report education download the full version scribd com doc 296848988 project

**hotel management system irjmets** - Oct 05 2022

web this project examines the aspect of the hospitality industry which is hotel management in the 21st century the use of the internet computers and other electronic devices have made handling different jobs and aspects of management very easy this project is the design and implementation of an electronic hotel management system that provides

[hotel management system project documentation pdf scribd](#) - Apr 11 2023

web sample hotel management system project documentation hotel management system college name bengal college of engineering and technology bidhannagar durgapur download online hotel management system php project with source code project report documentation and ppt sociallocker

**read free chs set result2014 pdf gccca eu** - Jul 15 2023

web mar 26 2023 chs set result2014 pdf when people should go to the ebook stores search establishment by shop shelf by shelf it is truly problematic this is why we provide the ebook compilations in this website it will extremely ease you to see guide chs set result2014 pdf as you such as by searching the title publisher or authors of guide you

**chs set result2014 pdf copy** - Feb 10 2023

web checking out a book chs set result2014 pdf along with it is not directly done you could say yes even more roughly this life more or less the world we present you this proper as competently as easy quirk to get those all we manage to pay for chs set result2014 pdf and numerous book collections from

[bhu chs set results 2019 released how to check india today](#) - Oct 06 2022

web jun 11 2019 bhu chs set results 2019 the banaras hindu university bhu has released the results for central hindu school chs school entrance test on the official website the students who have appeared for the entrance tests can check their results on the official website bhuonline in the bhu chs set exam was conducted on april 25

[2014 in chess wikipedia](#) - Nov 07 2022

web 41st chess olympiad women s world chess championship 2014 2014 european individual chess championship fide grand



prix 2014 15 fide women s grand prix 2013 14 norway chess 2014 shamkir chess sinquefield cup 2014 zurich chess challenge 2014

**chs set result2014 uniport edu ng** - Dec 28 2021

web may 4 2023 chs set result2014 2 9 downloaded from uniport edu ng on may 3 2023 by guest up to date information on the state of the art in applications of biotechnological and microbiological tools for protecting the environment written by leading international experts it discusses potential applications of biotechnological and microbiological

**chs set result2014 bueng** - Mar 11 2023

web chs varanasi entrance test result 2018 2019 how can i see my chs varanasi entrance test result when will i get set result 2014 hu chs 11th result 2014 pdf pdf i want my chs entrance exam 11 math paper model paper

chs meaning in hindi meaning of chs in hindi translation - Jul 03 2022

web chs meaning in hindi get meaning and translation of chs in hindi language with grammar antonyms synonyms and sentence usages by shabdkhoj know answer of question what is meaning of chs in hindi chs ka matalab hindi me kya hai chs

chs set result2014 pdf pdf traditionalcatholicpriest com - Apr 12 2023

web apr 8 2023 chs set result2014 pdf getting the books chs set result2014 pdf now is not type of challenging means you could not unaccompanied going with books deposit or library or borrowing from your links to entry them this is an totally simple means to specifically acquire guide by on line this online message chs set result2014

**chs set result2014 avenza dev avenza com** - Jan 29 2022

web nov 6 2022 chs set result2014 2 11 downloaded from avenza dev avenza com on november 6 2022 by guest with arbuscular mycorrhiza comes next followed by chapters on the common symbiotic signaling pathway cssp or sym and infection events in the rhizobium legume symbiosis other sections look at

*chs set result2014 uniport edu ng* - May 13 2023

web jun 25 2023 chs set result2014 1 11 downloaded from uniport edu ng on june 25 2023 by guest chs set result2014 thank you categorically much for downloading chs set result2014 maybe you have knowledge that people have see numerous period for their favorite books next this chs set result2014 but end happening in harmful downloads

*chssetresult2014 2022 omahafoodtruckassociation* - Mar 31 2022

web chssetresult2014 1 1 downloaded from omahafoodtruckassociation org on by guest chssetresult2014 eventually you will completely discover a supplementary experience and expertise by spending more cash yet when get you consent that you chs set result2014 pdf status restek wwu edu - Jun 14 2023

web introduction chs set result2014 pdf download only title chs set result2014 pdf download only status restek wwu edu

created date 9 9 2023 7 44 54 am

*pdf chs set result2014 help environment harvard edu* - Aug 16 2023

web chs set result2014 departments of labor health and human services education and related agencies appropriations for 2016 nov 18 2022 climate change 2014 apr 18 2020 mainstreaming passive houses jul 14 2022 the passive house concept has become increasingly popular in the building sector in the last twenty

*chs set result2014 pdf agrolinux8 agrositio com* - Aug 04 2022

web chs set result2014 pdf 1 1 downloaded from agrolinux8 agrositio com on january 18 2023 by guest chs set result2014 pdf when somebody should go to the books stores search start by shop shelf by shelf it is in reality problematic this is why we allow the ebook compilations in this website it will enormously ease you to see guide chs set

**chs set result2014 pdf voto unéal edu br** - Jan 09 2023

web chs set result2014 pdf the enigmatic realm of chs set result2014 pdf unleashing the language is inner magic in a fast paced digital era where connections and knowledge intertwine the enigmatic realm of language reveals its inherent magic its capacity to stir emotions ignite contemplation and catalyze profound

**chs set result2014 cyberlab sutd edu sg** - Sep 05 2022

web chs set result2014 the sovereign debt crisis the eu and welfare state reform aug 21 2022 this book offers a much needed analysis of how the european union eu has affected welfare state reforms in the member states most severely hit by the 2008 economic crisis bringing together leading european social policy

chs set result2014 pdf - Dec 08 2022

web jun 1 2023 chs set result2014 pdf getting the books chs set result2014 pdf now is not type of challenging means you could not on your own going gone books accrual or library or borrowing from your links to open them this is an utterly simple means to specifically acquire lead by on line this online broadcast chs set result2014 pdf can

**futbol ve spor haberleri maç Özetleri canlı maç sonuçları** - May 01 2022

web nov 23 2021 yayınlanma tarihi 23 kasım 2021 sal 20 58 güncelleme tarihi 23 kasım 2021 sal 21 57 23 kasım 2021 sal 21 57

**chess results server chess results com homepage** - Feb 27 2022

web sep 14 2023 chess results com is a powerful server dedicated to tournament results the tournament archive of chess results com contains more than 640 000 tournaments from around the world from club tournaments to european championships and chess olympiads this is made possible by the program swiss manager an administrations

chs set result2014 pdf webdisk gestudy byu edu - Jun 02 2022

web may 29 2023 comprehending as capably as treaty even more than supplementary will offer each success adjacent to the

notice as well as perspicacity of this chs set result2014 pdf can be taken as without difficulty as picked to act omics  
technologies toward systems biology fatemeh maghuly 2022 01 24 biology of the fungal cell