

Page Thumbnails X



11



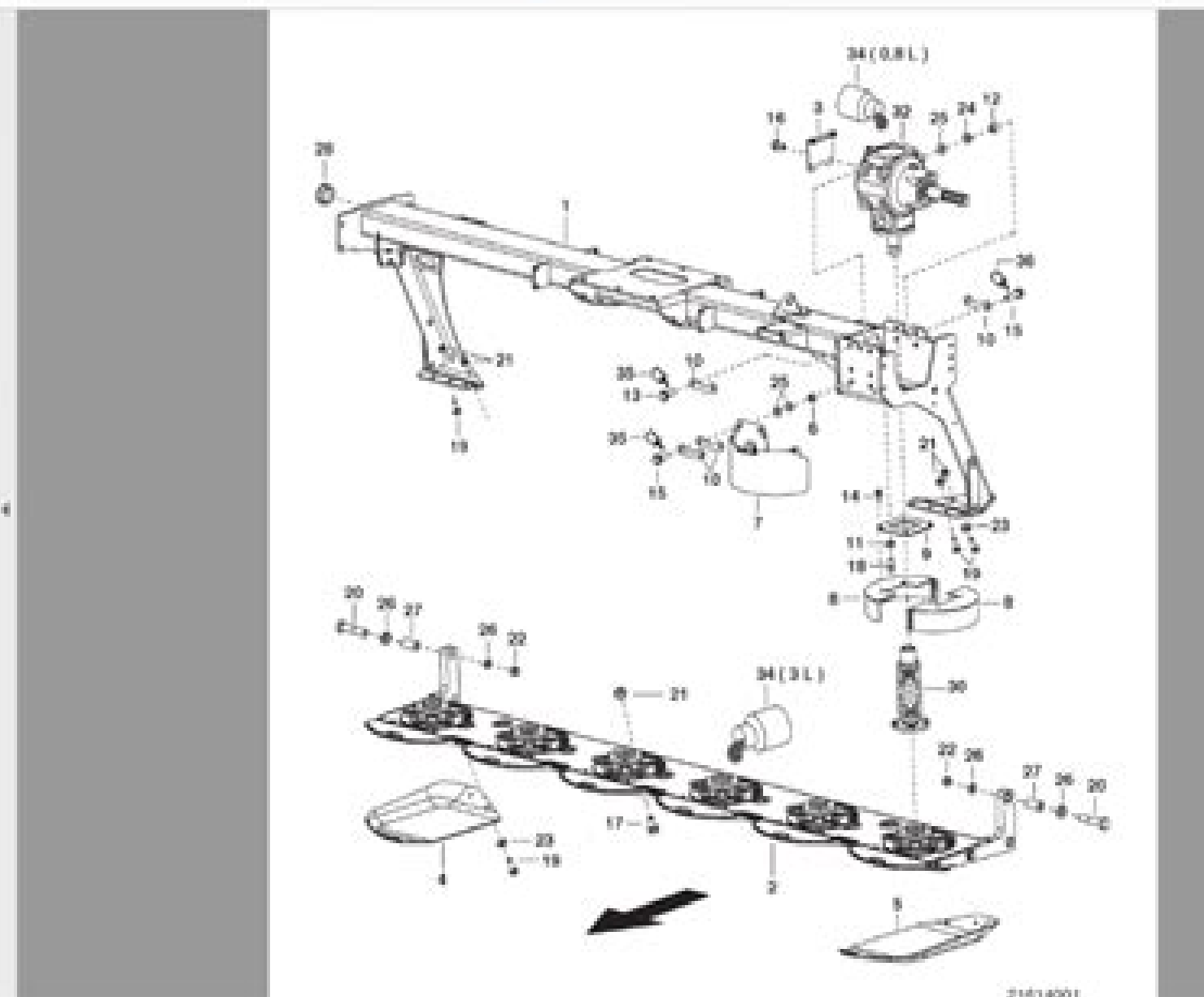
12



13



14



# Parts Manual 1

**Rachel Sandford**



## **Parts Manual 1:**

Eventually, you will entirely discover a extra experience and deed by spending more cash. yet when? pull off you acknowledge that you require to acquire those every needs later than having significantly cash? Why dont you try to get something basic in the beginning? Thats something that will guide you to understand even more roughly speaking the globe, experience, some places, taking into consideration history, amusement, and a lot more?

It is your agreed own time to sham reviewing habit. among guides you could enjoy now is **Parts Manual 1** below.

[https://crm.avenza.com/public/detail/default.aspx/setswana\\_grade\\_11p2\\_memorandum\\_2013\\_november.pdf](https://crm.avenza.com/public/detail/default.aspx/setswana_grade_11p2_memorandum_2013_november.pdf)

## **Table of Contents Parts Manual 1**

1. Understanding the eBook Parts Manual 1
  - The Rise of Digital Reading Parts Manual 1
  - Advantages of eBooks Over Traditional Books
2. Identifying Parts Manual 1
  - Exploring Different Genres
  - Considering Fiction vs. Non-Fiction
  - Determining Your Reading Goals
3. Choosing the Right eBook Platform
  - Popular eBook Platforms
  - Features to Look for in an Parts Manual 1
  - User-Friendly Interface
4. Exploring eBook Recommendations from Parts Manual 1
  - Personalized Recommendations
  - Parts Manual 1 User Reviews and Ratings
  - Parts Manual 1 and Bestseller Lists
5. Accessing Parts Manual 1 Free and Paid eBooks
  - Parts Manual 1 Public Domain eBooks

- Parts Manual 1 eBook Subscription Services
- Parts Manual 1 Budget-Friendly Options
- 6. Navigating Parts Manual 1 eBook Formats
  - ePub, PDF, MOBI, and More
  - Parts Manual 1 Compatibility with Devices
  - Parts Manual 1 Enhanced eBook Features
- 7. Enhancing Your Reading Experience
  - Adjustable Fonts and Text Sizes of Parts Manual 1
  - Highlighting and Note-Taking Parts Manual 1
  - Interactive Elements Parts Manual 1
- 8. Staying Engaged with Parts Manual 1
  - Joining Online Reading Communities
  - Participating in Virtual Book Clubs
  - Following Authors and Publishers Parts Manual 1
- 9. Balancing eBooks and Physical Books Parts Manual 1
  - Benefits of a Digital Library
  - Creating a Diverse Reading Collection Parts Manual 1
- 10. Overcoming Reading Challenges
  - Dealing with Digital Eye Strain
  - Minimizing Distractions
  - Managing Screen Time
- 11. Cultivating a Reading Routine Parts Manual 1
  - Setting Reading Goals Parts Manual 1
  - Carving Out Dedicated Reading Time
- 12. Sourcing Reliable Information of Parts Manual 1
  - Fact-Checking eBook Content of Parts Manual 1
  - Distinguishing Credible Sources
- 13. Promoting Lifelong Learning
  - Utilizing eBooks for Skill Development
  - Exploring Educational eBooks

#### 14. Embracing eBook Trends

- Integration of Multimedia Elements
- Interactive and Gamified eBooks

### **Parts Manual 1 Introduction**

In today's digital age, the availability of Parts Manual 1 books and manuals for download has revolutionized the way we access information. Gone are the days of physically flipping through pages and carrying heavy textbooks or manuals. With just a few clicks, we can now access a wealth of knowledge from the comfort of our own homes or on the go. This article will explore the advantages of Parts Manual 1 books and manuals for download, along with some popular platforms that offer these resources. One of the significant advantages of Parts Manual 1 books and manuals for download is the cost-saving aspect. Traditional books and manuals can be costly, especially if you need to purchase several of them for educational or professional purposes. By accessing Parts Manual 1 versions, you eliminate the need to spend money on physical copies. This not only saves you money but also reduces the environmental impact associated with book production and transportation. Furthermore, Parts Manual 1 books and manuals for download are incredibly convenient. With just a computer or smartphone and an internet connection, you can access a vast library of resources on any subject imaginable. Whether you're a student looking for textbooks, a professional seeking industry-specific manuals, or someone interested in self-improvement, these digital resources provide an efficient and accessible means of acquiring knowledge. Moreover, PDF books and manuals offer a range of benefits compared to other digital formats. PDF files are designed to retain their formatting regardless of the device used to open them. This ensures that the content appears exactly as intended by the author, with no loss of formatting or missing graphics. Additionally, PDF files can be easily annotated, bookmarked, and searched for specific terms, making them highly practical for studying or referencing. When it comes to accessing Parts Manual 1 books and manuals, several platforms offer an extensive collection of resources. One such platform is Project Gutenberg, a nonprofit organization that provides over 60,000 free eBooks. These books are primarily in the public domain, meaning they can be freely distributed and downloaded. Project Gutenberg offers a wide range of classic literature, making it an excellent resource for literature enthusiasts. Another popular platform for Parts Manual 1 books and manuals is Open Library. Open Library is an initiative of the Internet Archive, a non-profit organization dedicated to digitizing cultural artifacts and making them accessible to the public. Open Library hosts millions of books, including both public domain works and contemporary titles. It also allows users to borrow digital copies of certain books for a limited period, similar to a library lending system. Additionally, many universities and educational institutions have their own digital libraries that provide free access to PDF books and manuals. These libraries often offer academic texts, research papers, and technical manuals, making them invaluable resources for

students and researchers. Some notable examples include MIT OpenCourseWare, which offers free access to course materials from the Massachusetts Institute of Technology, and the Digital Public Library of America, which provides a vast collection of digitized books and historical documents. In conclusion, Parts Manual 1 books and manuals for download have transformed the way we access information. They provide a cost-effective and convenient means of acquiring knowledge, offering the ability to access a vast library of resources at our fingertips. With platforms like Project Gutenberg, Open Library, and various digital libraries offered by educational institutions, we have access to an ever-expanding collection of books and manuals. Whether for educational, professional, or personal purposes, these digital resources serve as valuable tools for continuous learning and self-improvement. So why not take advantage of the vast world of Parts Manual 1 books and manuals for download and embark on your journey of knowledge?

### **FAQs About Parts Manual 1 Books**

1. Where can I buy Parts Manual 1 books? Bookstores: Physical bookstores like Barnes & Noble, Waterstones, and independent local stores. Online Retailers: Amazon, Book Depository, and various online bookstores offer a wide range of books in physical and digital formats.
2. What are the different book formats available? Hardcover: Sturdy and durable, usually more expensive. Paperback: Cheaper, lighter, and more portable than hardcovers. E-books: Digital books available for e-readers like Kindle or software like Apple Books, Kindle, and Google Play Books.
3. How do I choose a Parts Manual 1 book to read? Genres: Consider the genre you enjoy (fiction, non-fiction, mystery, sci-fi, etc.). Recommendations: Ask friends, join book clubs, or explore online reviews and recommendations. Author: If you like a particular author, you might enjoy more of their work.
4. How do I take care of Parts Manual 1 books? Storage: Keep them away from direct sunlight and in a dry environment. Handling: Avoid folding pages, use bookmarks, and handle them with clean hands. Cleaning: Gently dust the covers and pages occasionally.
5. Can I borrow books without buying them? Public Libraries: Local libraries offer a wide range of books for borrowing. Book Swaps: Community book exchanges or online platforms where people exchange books.
6. How can I track my reading progress or manage my book collection? Book Tracking Apps: Goodreads, LibraryThing, and Book Catalogue are popular apps for tracking your reading progress and managing book collections. Spreadsheets: You can create your own spreadsheet to track books read, ratings, and other details.

7. What are Parts Manual 1 audiobooks, and where can I find them? Audiobooks: Audio recordings of books, perfect for listening while commuting or multitasking. Platforms: Audible, LibriVox, and Google Play Books offer a wide selection of audiobooks.
8. How do I support authors or the book industry? Buy Books: Purchase books from authors or independent bookstores. Reviews: Leave reviews on platforms like Goodreads or Amazon. Promotion: Share your favorite books on social media or recommend them to friends.
9. Are there book clubs or reading communities I can join? Local Clubs: Check for local book clubs in libraries or community centers. Online Communities: Platforms like Goodreads have virtual book clubs and discussion groups.
10. Can I read Parts Manual 1 books for free? Public Domain Books: Many classic books are available for free as they're in the public domain. Free E-books: Some websites offer free e-books legally, like Project Gutenberg or Open Library.

### **Find Parts Manual 1 :**

[setswana grade 11p2 memorandum 2013 november](#)

[service repair manual fendt 260](#)

**service tax refund rules**

**service manual yamaha ego**

**set timing on mercury 140 hp outboard**

**servsafe certification mississippi study guide**

[servsafe 6th edition flashcards](#)

[service manual toyota al50](#)

[service repair manual yamaha wr250f 2007](#)

[sesotho exemplar 2013 grade 11](#)

**service manual toyota aygo**

[service manual stihl 038](#)

[service manual volkswagen new beetle](#)

[service tax form st 2](#)

**service manual vespa lx 125**



**Parts Manual 1 :**

Financial Accounting: IFRS Edition by Weygandt, Jerry J. Returns. Returnable until Jan 31, 2024 ; Payment. Secure transaction ; Publisher, Wiley; 2nd edition (July 24, 2012) ; Language, English ; Hardcover, 840 pages. Financial Accounting , IFRS Edition 2nd... by Donald E. Kieso An authoritative financial accounting book that provides a balance between conceptual and procedural coverage. Financial Accounting using IFRS, 2e Welcome to the second edition of Financial Accounting using IFRS. We wrote this book to equip students with the accounting techniques and insights necessary ... Financial Accounting, IFRS Edition, 2nd Edition While there is a growing interest in IFRS within the US, interest outside the US has exploded. Weygandt's 2nd edition of Financial Accounting: IFRS ... Financial Accounting, IFRS Edition: 2nd Edition Financial Accounting, IFRS Edition: 2nd Edition · Author: Jerry J. Weygandt; Paul D. Kimmel; Donald E. Kieso · Publisher: John Wiley & Sons · ISBN: ... Intermediate Accounting: IFRS Edition, 2nd Edition [Book] The emphasis on fair value, the proper accounting for financial instruments, and the new developments related to leasing, revenue recognition, and financial ... Soluciones financial accounting IFRS 2e th chapter 2 Solutions to all exercises, questions and problems of Financial Accounting IFRS 2e th chapter 2. chapter the recording process assignment classification ... Financial Accounting , IFRS Edition The book addresses every accounting topic from the perspective of IFRS and includes examples based on international companies. Following the reputation for ... Financial Accounting IFRS Edition 2nd Edition by ... Financial Accounting IFRS Edition 2nd Edition by Weygandt Kimmel and Kieso chapter 4 solution chapter completing the accounting cycle assignment ... Financial Accounting , IFRS Edition IFRS Edition - Chegg Financial Accounting , IFRS Edition 2nd edition ; Edition: 2nd edition ; ISBN-13: 978-1118285909 ; Format: Hardback ; Publisher: Wiley (7/24/2012) ; Copyright: 2013. Slaughterhouse-Five Slaughterhouse-Five, or, The Children's Crusade: A Duty-Dance with Death is a 1969 semi-autobiographic science fiction-infused anti-war novel by Kurt ... Slaughterhouse-Five: A Novel (Modern Library 100 Best ... Slaughterhouse-Five is one of the world's great anti-war books. Centering on the infamous fire-bombing of Dresden, Billy Pilgrim's odyssey through time reflects ... Slaughterhouse-Five by Kurt Vonnegut Jr. Slaughterhouse-Five, or The Children's Crusade: A Duty-Dance with Death (1969) is a science fiction-infused anti-war novel by Kurt Vonnegut about the World War ... Slaughterhouse-Five | by Kurt Vonnegut, Jr. | Vincent Valdez The novel begins when Billy Pilgrim becomes “unstuck in time” and launches into fourth dimensional time travel, journeying from the Battle of the Bulge to the ... Slaughterhouse-Five by Kurt Vonnegut: 9780385333849 Kurt Vonnegut's masterpiece, Slaughterhouse-Five is “a desperate, painfully honest attempt to confront the monstrous crimes of the twentieth century” (Time). Slaughterhouse-Five: A Duty Dance with Death Slaughterhouse-Five is the story of Billy Pilgrim's life, framed around his time in the Second World War – more specifically, the terrible bombing of Dresden, ... Slaughterhouse-Five: A Novel (Modern Library 100 Best ... Kurt Vonnegut's masterpiece, Slaughterhouse-Five is “a desperate, painfully honest attempt to confront the monstrous crimes of the twentieth century”

(Time). Slaughterhouse-Five, or The Children's Crusade: A Duty- ... Centering on the infamous World War II firebombing of Dresden, the novel is the result of what Kurt Vonnegut described as a twenty-three-year struggle to write ... Kurt Vonnegut's Slaughterhouse-Five: Bookmarked Slaughterhouse-Five is a seminal novel of contemporary literature, a rumination on war, space, time and the meaning of life and death. Slaughterhouse-Five: Full Book Summary Billy and his fellow POW s survive in an airtight meat locker. They emerge to find a moonscape of destruction, where they are forced to excavate corpses from ...

The King and I - Vocal Score by Rodgers & Hammerstein The King and I - Vocal Score · Book overview. Rodgers & Hammerstein The King and I Complete Piano Vocal Score First ... The King and I Vocal Score Composers: Oscar Hammerstein, Richard Rodgers Complete vocal score to the classic,including: Getting to Know You \* Hello, Young Lovers \* I Whistle a Happy ... The King And I - Score.pdf View and download The King And I - Score.pdf on DocDroid. THE KING AND I VOCAL SCORE. (Edited by DR. ALBERT SIRMAY). PRICE. 15.00. WILLIAMSON MUSIC, INC ... SONG OF THE KING... 165. 39. SHALL WE DANCE?.. 168. 40. MELOS, MY LORD AND ... The King And I sheet music | Play, print, and download in ... Dec 21, 2020 — Play, print, and download in PDF or MIDI sheet music from 'The King And I' set collected by Trevor Coard. THE KING AND I Based on the novel ... The King and I (Vocal Vocal Score ) by Buy The King and I (Vocal Vocal Score ) by at jwpepper.com. Piano/Vocal Sheet Music. Contains all overtures, incidental music and songs from Th. The King and I (Score) by Richard Rodgers Complete vocal score to the classic with all 14 songs, including: Getting to Know You \* Hello, Young Lovers \* I Whistle a Happy Tune \* Shall We Dance? THE KING AND I vocal score.pdf THE KING AND I vocal score.pdf. THE KING AND I vocal score.pdf. Author / Uploaded; Simon Parker. Views 1,686 Downloads 289 File size 9MB. The King and I Something Wonderful Score | PDF The King and I Something Wonderful Score - Free download as PDF File (.pdf) or read online for free. sheet music for Something Wonderful from the musical ... The King And I - Vocal Score Complete vocal score to the classic with all 14 songs, including: Getting to Know You • Hello, Young Lovers • I Whistle a Happy Tune • Shall We Dance?