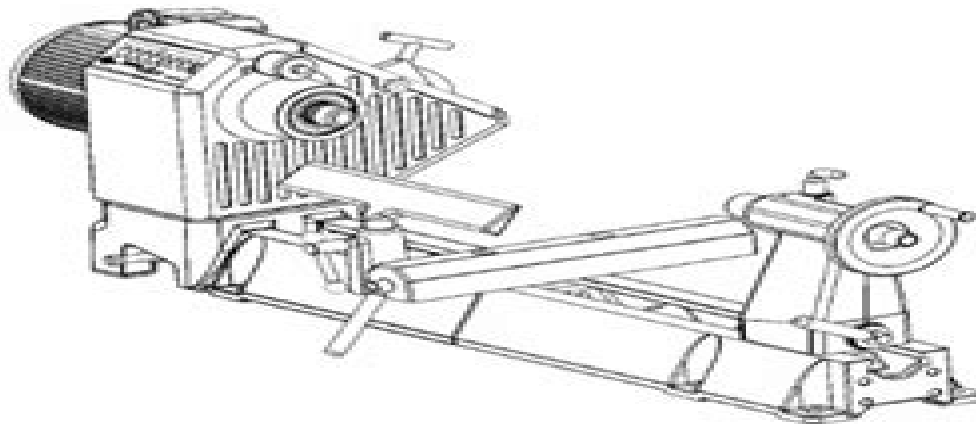


NOVA 1624 II TM WOODLATHE



Smart Tools Powerful Solutions
www.teknatool.com



IMPORTANT Please Note:

Your new NOVA 1624 II Woodlathe comes with additional safety feature, and is fitted with an emergency stop button on the motor.

This button is for "Emergencies" only. The machine will coast to a stop if this button is pushed in. Important: Once this Emergency stop button is pushed, you must release into the "OUT" position before you can use the lathe again. You must twist to release it into the OUT position before you can turn on the lathe.

- Use the regular STOP button if you want the lathe to come to a stop.
- To turn the machine on and off, use the on/off switch on the motor.

Nova 1624 Manual

M Carnoy



Nova 1624 Manual:

A Performer's Guide to Seventeenth-Century Music Stewart Carter, 2012-03-21 Revised and expanded A Performer's Guide to Seventeenth Century Music is a comprehensive reference guide for students and professional musicians The book contains useful material on vocal and choral music and style instrumentation performance practice ornamentation tuning temperament meter and tempo basso continuo dance theatrical production and much more The volume includes new chapters on the violin the violoncello and violone and the trombone as well as updated and expanded reference materials internet resources and other newly available material This highly accessible handbook will prove a welcome reference for any musician or singer interested in historically informed performance [The Language of the Classical French Organ](#)

Fenner Douglass, 1995-01-01 The seventeenth and eighteenth centuries witnessed the growth of a unique relationship between the French organ and the music written for it Until recently however the roots of this precise musical tradition lay hidden in the sixteenth century Illuminating these mysteries for the modern audience Mr Douglass has traced the development of the French organ from the sixteenth century through the Classical Period 1655 1770 For the first time in English an explanation is given of the role of mixtures in the plenum of the French instrument of the Classical Period Because the plenum determines the very character of the organ and because the mixtures exert the strongest influence upon its sonority the reader will be able to understand why French composers were writing music for the plenum sharply different from that of their contemporaries in northern Europe Especially useful is the first complete compilation of known sources of information about French classical organ restriction Having assimilated the historical facts about the instrument the reader will be ready to interpret the music of this period on a modern organ Mr Douglass is professor organ at the Oberlin College Conservatory of Music This authoritative study of the French classical organ is a major source for the interpretation of early French organ music For this new edition the author has added a chapter on touch in early French organs and its importance for practice The bibliography has also been extensively revised Reviews of the previous edition The extensive and valuable materials assembled in this study will make it indispensable to both the performer and the scholar of French organ literature

Almonte C Howell Jr Notes The only work of its kind in English Bringing together all of the sources into one volume was alone a task of considerable proportions and the many conclusions drawn from a careful study of the sources make it a necessary reference for any further study It should be not only on the shelves but also in the mind of every organ devotee

Rudolph Kremer Journal of the American Musicological Society Douglass has shown us the way that organ studies ought to develop over the next few decades Music and Letters **J.S. Bach** Albert Schweitzer, 1911 [Litterae Organi](#) Barbara Owen, John Ogasapian, 2005 Celebrating the founding of The Organ Historical Society fifty years ago our 50th year began in the Summer of 2006 the OHS Press publishes an eclectic collection of essays in honor of one of the Society's founders who has served twice as its President Organ Historical Society Online Catalog [The New Grove Dictionary of Music and](#)

Musicians: Recitative to Russian Federation, I Stanley Sadie,2001 **“OTHER RESOURCES FOR THE TEACHER: Early Ornamentation, Graded Repertoire, and Organ Building Schools & Registration Practices” Volume 3 of “Teaching Pre-College Organ Students: Methods of the Twenty-First Century.”** Elena Paradies,2025-10-10 The initial section titled Early Ornamentation in this volume provides a structured overview of Baroque embellishments categorized by country and historical period It includes a list of prominent composers from that era with their lifetimes All ornament transcriptions are sourced from the referenced publications The section also features a comparative table of essential ornaments and a recommended reading list for further study The Graded Repertoire section presents concise information about organ literature spanning different historical periods and national organ schools Readers will explore a broad spectrum of musical styles and forms In this section teachers can find recommended annotated editions published by Wayne Leupold which are particularly beneficial for both novice and intermediate students The Organ Building Schools Registration Practices section highlights the close connection between organ construction registration and performance practice It provides concise descriptions of key European schools of organ building along with registration suggestions tailored to specific genres musical forms and dynamic changes Additionally readers can easily access YouTube videos featuring famous historical organs playable directly on the e book device *The New Grove Dictionary of Music and Musicians* Stanley Sadie,John Tyrrell,2001

J.S. Bach - Volume 1 Albert Schweitzer,2013-01-15 A fantastic little book about Bach and the musical climate before and during his life with a look at his continuing influence in music Many of the earliest books particularly those dating back to the 1900s and before are now extremely scarce and increasingly expensive We are republishing these classic works in affordable high quality modern editions using the original text and artwork **The roots of Bach's art** Albert Schweitzer,1923

The Organ Douglas Bush,Richard Kassel,2004-06-01 The Encyclopedia of Organ includes articles on the organ family of instruments including famous players composers instrument builders the construction of the instruments and related terminology It is the first complete A Z reference on this important family of keyboard instruments The contributors include major scholars of music and musical instrument history from around the world

Unveiling the Magic of Words: A Overview of "**Nova 1624 Manual**"

In a world defined by information and interconnectivity, the enchanting power of words has acquired unparalleled significance. Their power to kindle emotions, provoke contemplation, and ignite transformative change is actually awe-inspiring. Enter the realm of "**Nova 1624 Manual**," a mesmerizing literary masterpiece penned with a distinguished author, guiding readers on a profound journey to unravel the secrets and potential hidden within every word. In this critique, we shall delve into the book's central themes, examine its distinctive writing style, and assess its profound affect on the souls of its readers.

https://crm.avenza.com/data/book-search/index.jsp/Sample_Letter_Requesting_Documents.pdf

Table of Contents Nova 1624 Manual

1. Understanding the eBook Nova 1624 Manual
 - The Rise of Digital Reading Nova 1624 Manual
 - Advantages of eBooks Over Traditional Books
2. Identifying Nova 1624 Manual
 - Exploring Different Genres
 - Considering Fiction vs. Non-Fiction
 - Determining Your Reading Goals
3. Choosing the Right eBook Platform
 - Popular eBook Platforms
 - Features to Look for in an Nova 1624 Manual
 - User-Friendly Interface
4. Exploring eBook Recommendations from Nova 1624 Manual
 - Personalized Recommendations
 - Nova 1624 Manual User Reviews and Ratings
 - Nova 1624 Manual and Bestseller Lists

5. Accessing Nova 1624 Manual Free and Paid eBooks
 - Nova 1624 Manual Public Domain eBooks
 - Nova 1624 Manual eBook Subscription Services
 - Nova 1624 Manual Budget-Friendly Options
6. Navigating Nova 1624 Manual eBook Formats
 - ePub, PDF, MOBI, and More
 - Nova 1624 Manual Compatibility with Devices
 - Nova 1624 Manual Enhanced eBook Features
7. Enhancing Your Reading Experience
 - Adjustable Fonts and Text Sizes of Nova 1624 Manual
 - Highlighting and Note-Taking Nova 1624 Manual
 - Interactive Elements Nova 1624 Manual
8. Staying Engaged with Nova 1624 Manual
 - Joining Online Reading Communities
 - Participating in Virtual Book Clubs
 - Following Authors and Publishers Nova 1624 Manual
9. Balancing eBooks and Physical Books Nova 1624 Manual
 - Benefits of a Digital Library
 - Creating a Diverse Reading Collection Nova 1624 Manual
10. Overcoming Reading Challenges
 - Dealing with Digital Eye Strain
 - Minimizing Distractions
 - Managing Screen Time
11. Cultivating a Reading Routine Nova 1624 Manual
 - Setting Reading Goals Nova 1624 Manual
 - Carving Out Dedicated Reading Time
12. Sourcing Reliable Information of Nova 1624 Manual
 - Fact-Checking eBook Content of Nova 1624 Manual
 - Distinguishing Credible Sources
13. Promoting Lifelong Learning

- Utilizing eBooks for Skill Development
 - Exploring Educational eBooks
14. Embracing eBook Trends
- Integration of Multimedia Elements
 - Interactive and Gamified eBooks

Nova 1624 Manual Introduction

In the digital age, access to information has become easier than ever before. The ability to download Nova 1624 Manual has revolutionized the way we consume written content. Whether you are a student looking for course material, an avid reader searching for your next favorite book, or a professional seeking research papers, the option to download Nova 1624 Manual has opened up a world of possibilities. Downloading Nova 1624 Manual provides numerous advantages over physical copies of books and documents. Firstly, it is incredibly convenient. Gone are the days of carrying around heavy textbooks or bulky folders filled with papers. With the click of a button, you can gain immediate access to valuable resources on any device. This convenience allows for efficient studying, researching, and reading on the go. Moreover, the cost-effective nature of downloading Nova 1624 Manual has democratized knowledge. Traditional books and academic journals can be expensive, making it difficult for individuals with limited financial resources to access information. By offering free PDF downloads, publishers and authors are enabling a wider audience to benefit from their work. This inclusivity promotes equal opportunities for learning and personal growth. There are numerous websites and platforms where individuals can download Nova 1624 Manual. These websites range from academic databases offering research papers and journals to online libraries with an expansive collection of books from various genres. Many authors and publishers also upload their work to specific websites, granting readers access to their content without any charge. These platforms not only provide access to existing literature but also serve as an excellent platform for undiscovered authors to share their work with the world. However, it is essential to be cautious while downloading Nova 1624 Manual. Some websites may offer pirated or illegally obtained copies of copyrighted material. Engaging in such activities not only violates copyright laws but also undermines the efforts of authors, publishers, and researchers. To ensure ethical downloading, it is advisable to utilize reputable websites that prioritize the legal distribution of content. When downloading Nova 1624 Manual, users should also consider the potential security risks associated with online platforms. Malicious actors may exploit vulnerabilities in unprotected websites to distribute malware or steal personal information. To protect themselves, individuals should ensure their devices have reliable antivirus software installed and validate the legitimacy of the websites they are downloading from. In conclusion, the ability to download Nova 1624 Manual has transformed the way we access information. With the convenience, cost-effectiveness,

and accessibility it offers, free PDF downloads have become a popular choice for students, researchers, and book lovers worldwide. However, it is crucial to engage in ethical downloading practices and prioritize personal security when utilizing online platforms. By doing so, individuals can make the most of the vast array of free PDF resources available and embark on a journey of continuous learning and intellectual growth.

FAQs About Nova 1624 Manual Books

What is a Nova 1624 Manual PDF? A PDF (Portable Document Format) is a file format developed by Adobe that preserves the layout and formatting of a document, regardless of the software, hardware, or operating system used to view or print it.

How do I create a Nova 1624 Manual PDF? There are several ways to create a PDF: Use software like Adobe Acrobat, Microsoft Word, or Google Docs, which often have built-in PDF creation tools. Print to PDF: Many applications and operating systems have a "Print to PDF" option that allows you to save a document as a PDF file instead of printing it on paper. Online converters: There are various online tools that can convert different file types to PDF.

How do I edit a Nova 1624 Manual PDF? Editing a PDF can be done with software like Adobe Acrobat, which allows direct editing of text, images, and other elements within the PDF. Some free tools, like PDFescape or Smallpdf, also offer basic editing capabilities. **How do I convert a Nova 1624 Manual PDF to another file format?** There are multiple ways to convert a PDF to another format:

Use online converters like Smallpdf, Zamzar, or Adobe Acrobats export feature to convert PDFs to formats like Word, Excel, JPEG, etc. Software like Adobe Acrobat, Microsoft Word, or other PDF editors may have options to export or save PDFs in different formats.

How do I password-protect a Nova 1624 Manual PDF? Most PDF editing software allows you to add password protection. In Adobe Acrobat, for instance, you can go to "File" -> "Properties" -> "Security" to set a password to restrict access or editing capabilities. Are there any free alternatives to Adobe Acrobat for working with PDFs? Yes, there are many free alternatives for working with PDFs, such as: LibreOffice: Offers PDF editing features. PDFsam: Allows splitting, merging, and editing PDFs. Foxit Reader: Provides basic PDF viewing and editing capabilities. How do I compress a PDF file?

You can use online tools like Smallpdf, ILovePDF, or desktop software like Adobe Acrobat to compress PDF files without significant quality loss. Compression reduces the file size, making it easier to share and download. Can I fill out forms in a PDF file? Yes, most PDF viewers/editors like Adobe Acrobat, Preview (on Mac), or various online tools allow you to fill out forms in PDF files by selecting text fields and entering information. Are there any restrictions when working with PDFs?

Some PDFs might have restrictions set by their creator, such as password protection, editing restrictions, or print restrictions. Breaking these restrictions might require specific software or tools, which may or may not be legal depending on the circumstances and local laws.

Find Nova 1624 Manual :

sample letter requesting documents

[sample peer evaluation paper](#)

[sample hospital discharge papers](#)

sample of informative speech essay

[sample mlc 20 manual for ships](#)

[sample papers for class 10 cbse sa1](#)

[sample question paper g scheme engineering graphics](#)

sample research paper

[sample letter of recommendation for construction worker](#)

[sample of documentation of mental health notes](#)

sample rent authority letter uk

[sample letter for tenant for unpaid rent](#)

[sample paper of class 1 cbse physics](#)

sample of formal paper

[sample letter request baptism certificate](#)

Nova 1624 Manual :

[essentials of marketing 12th edition by william d - Sep 06 2023](#)

web feb 1 2023 essentials of marketing is designed to satisfy your needs cannon perreault essentials of marketing looks at the best of marketing where

[essentials of marketing 12th edition amazon.com - Oct 07 2023](#)

web essentials of marketing 12th edition by william d perreault jr joseph p cannon e jerome mccarthy isbn 10 0073404810 isbn 13 9780073404813 mcgraw

essentials of marketing a marketing strategy planning approach - Mar 20 2022

[essentials of marketing mcgraw hill - May 22 2022](#)

web essentials of marketing 17th edition is written by william d perreault jr and published by mcgraw hill higher education the digital and etextbook isbns for essentials of

essentials of marketing jr perreault william joseph cannon e - May 02 2023

web essentials of marketing by william d perreault e jerome mccarthy 2010 mcgraw hill irwin edition in english 12th ed

essentials of marketing 12th edition textbooks com - Jan 30 2023

web dec 11 2020 essentials of marketing a global managerial approach mcgraw hill irwin series in marketing

essentials of marketing 12th edition softcover abebooks - Aug 05 2023

web essentials of marketing 12th edition by william d perreault jr joseph p cannon e jerome mccarthy and a great selection of related books art and collectibles available

essentials of marketing 2010 edition open library - Feb 28 2023

web william d perreault jr is the author of essentials of marketing 12th edition 3 71 avg rating 90 ratings 7 reviews published 1997 basic marketing

william d perreault jr author of essentials of marketing 12th - Dec 29 2022

web bibtex endnote refman this book is about marketing and marketing strategy planning at its essence marketing strategy planning is about figuring out how to do a superior job

open library essentials of marketing 12 e - Jul 24 2022

web essentials of marketing a marketing strategy planning approach william d perreault william d perreault jr joseph p cannon edmund jerome mccarthy google

essentials of marketing 18th edition mcgraw hill - Jan 18 2022

essentials of marketing 17th edition vitalsource - Feb 16 2022

essentials marketing 12th edition by william perreault abebooks - Jun 03 2023

web essentials of marketing a marketing strategy planning approach by perreault william d jr cannon joseph p mccarthy e jerome and a great selection of related books

essentials of marketing google books - Jun 22 2022

web teaching videos video cases and video clips to accompany essentials of marketing by perreault and cannon for the 14th edition of essentials of

0073404810 essentials of marketing 12th edition by abebooks - Apr 01 2023

web chapter 1 marketing s value to customers firms and societychapter 2 marketing strategy planningchapter 3 evaluating opportunities in the changing marketing

essentials of marketing 18th edition amazon com - Jul 04 2023

web oct 21 2009 essentials of marketing jr perreault william joseph cannon e jerome mccarthy google books this book is about marketing and marketing strategy

essentials of marketing william d perreault jr joseph p - Sep 25 2022

web feb 20 2014 jr perreault william joseph cannon e jerome mccarthy mcgraw hill education feb 20 2014 business economics 768 pages essentials of marketing

essentials of marketing by william d perreault open library - Nov 27 2022

web perreault s essentials of marketing 17e looks at the best of marketing where marketing practices meet target customer needs and make the world a better place dating back to

essentials of marketing 17th edition amazon com - Oct 27 2022

web this book is about marketing and marketing strategy planning and at its essence marketing strategy planning is about figuring out how to do a superior job of satisfying

essentials of marketing 17th edition mcgraw hill - Aug 25 2022

web essentials of marketing 2021 17e perreault table of contents marketing s value to consumers firms and society marketing strategy planning evaluating opportunities in

essentials of marketing a marketing strategy planning approach - Apr 20 2022

web essentials of marketing essentials of marketing 18th edition isbn10 126616846x isbn13 9781266168468 by joseph cannon william perreault and e jerome

moving averages 101 second edition incredible signals that - Apr 30 2022

web the completely revised and updated second edition is 50 bigger with many new trends spider charts moving averages 101 is the easiest way to learn how to capture trends in the stock market master moving averages and give yourself a significant trading advantage benefit from 25 years of trading experience limit your chances of trading ruin

moving averages 101 incredible signals that will make you - Jul 02 2022

web moving averages 101 incredible signals that will make you money in the stock market kindle edition by steve burns author holly burns author format kindle edition 4 1 4 1 out of 5 stars 659 ratings

moving averages 101 by steve burns holly burns audible com - Mar 30 2022

web publisher s summary moving averages 101 is the easiest way to learn how to capture trends in the stock market master moving averages and give yourself a significant trading advantage benefit from 20 years of trading experience limit your chances of trading ruin by learning from someone with more than 20 years in the stock market

moving averages 101 second edition incredible signals that - Apr 11 2023

web oct 6 2020 moving averages 101 second edition incredible signals that will make you money burns steve burns holly on

amazon com free shipping on qualifying offers moving averages 101 second edition

moving averages 101 second edition incredible signals that - Feb 26 2022

web oct 6 2020 moving averages 101 second edition incredible signals that will make you money the completely revised and updated second edition is 50 bigger with many new trendspider charts moving

moving averages 101 incredible signals that will make you - Mar 10 2023

web jun 30 2015 createspace independent publishing platform jun 30 2015 investments 102 pages moving averages 101 is the easiest way to learn how to capture trends in the stock market master moving

moving averages 101 incredible signals that will make you - Nov 06 2022

web dec 23 2020 moving averages 101 incredible signals that will make you money unabridged steve burns holly burns 5 99 publisher description the completely revised and updated second edition is 50 percent bigger moving averages 101 is the

easiest way to learn how to capture trends in the stock market

moving averages 101 incredible signals that will make you - Jan 28 2022

web moving averages 101 incredible signals that will make you money in the stock market pdfdrive free download as pdf file pdf text file txt or read online for free

moving averages 101 incredible signals that will make you - Dec 27 2021

web moving averages 101 is the easiest way to learn how to capture trends in the stock market master moving averages and give yourself a significant trading advantage benefit from 20 years of trading experience limit your chances of trading ruin by learning from someone with more than 20 years in the stock market

moving averages 101 incredible signals that will make you - Dec 07 2022

web moving averages 101 is the easiest way to learn how to capture trends in the stock market master moving averages and give yourself a significant trading advantage benefit from 20 years of trading experience limit your chances of trading ruin by learning from someone with more than 20 years in the stock market

moving averages 101 incredible signals that will make you - Jun 13 2023

web jun 30 2015 moving average 101 is part of a series of books written by steve and holly burns husband wife team what this book is about it goes in depth into the use of moving average which is considered the most popular indicator you ll learn what are the short medium and long term moving averages and how you can use it in your trading

moving averages 101 incredible signals that will make you - Jun 01 2022

web moving averages 101 presents the easiest way to learn how to capture trends in the stock market it gives you a great understanding of the power of moving averages giving easy to understand explanations of complex topics as well as detailed annotated trading charts

moving averages 101 incredible signals that will make you - Feb 09 2023

web jul 12 2015 moving averages 101 incredible signals that will make you money in the stock market kindle edition by burns steve burns holly download it once and read it on your kindle device pc phones or tablets

moving averages 101 incredible signals that will make you - Jul 14 2023

web moving averages 101 incredible signals that will make you money in the stock market burns steve burns holly amazon com tr kitap

moving averages 101 incredible signals that will make you - Jan 08 2023

web jun 7 2016 moving averages 101 incredible signals that will make you money in the stock market unabridged steve burns holly burns 5 0 2 ratings 5 99 publisher description moving averages 101 is the easiest way to learn how to capture trends in the stock market master moving averages and give yourself a significant trading advantage

moving averages 101 incredible signals that will make you - Aug 03 2022

web buy moving averages 101 incredible signals that will make you money in the stock market annotated by burns steve burns holly isbn 9781515133964 from amazon s book store everyday low prices and free delivery on eligible orders

moving averages 101 second edition incredible signals that - May 12 2023

web oct 6 2020 moving averages 101 second edition incredible signals that will make you money kindle edition by burns steve burns holly download it once and read it on your kindle device pc phones or tablets

moving averages 101 incredible signals that will make you - Sep 04 2022

web moving averages 101 incredible signals that will make you money in the stock market burns steve burns holly amazon com au books

moving averages 101 second edition incredible signals - Oct 05 2022

web master moving averages and give yourself a significant trading advantage benefit from 25 years of trading experience limit your chances of trading ruin by learning from someone with more than 20 years in the stock market steve will teach you what a moving averages are and how to trade them

moving averages 101 second edition incredible signals that - Aug 15 2023

web moving averages 101 second edition incredible signals that will make you money burns steve burns holly amazon com tr kitap

rinder s rules make the law work for you kindle edition - Oct 05 2022

web from common legal woes to problems you may have this is a collection of real life stories of things gone wrong for which he provides sound legal advice with sections on jargon

rinder s rules make the law work for you - May 12 2023

web mar 15 2016 with sections on jargon busting consumer rights and common mistakes rinder s rules provides a thorough guide to everyday legal issues that you can carry

rinder s rules overdrive - Sep 23 2021

rinder s rules make the law work for you ebook - Dec 07 2022

web rinder s rules make the law work for you ebook rinder rob amazon ca kindle store

rinder s rules make the law work for you hardcover - Mar 30 2022

web rinder s rules make the law work for you by robert rinder hardcover 2015 3 60 free postage rinder s rules make the law work for you by rinder robert good

[rinder s rules make the law work for you amazon in](#) - Jul 02 2022

web rinder s rules make the law work for you ebook rinder rob amazon com au kindle store

rinder s rules make the law work for you kindle edition - Jun 01 2022

web rinder s rules make the law work for you rinder robert on amazon com au free shipping on eligible orders rinder robert 9781780894461 amazon com au

[rinder s rules make the law work for you abebooks](#) - Aug 03 2022

web rinder s rules make the law work for you ebook rinder rob amazon in kindle store

rinder s rules make the law work for you kindle edition - Apr 30 2022

web oct 8 2015 with sections on jargon busting consumer rights and common mistakes rinder s rules provides a thorough guide to everyday legal issues that you can carry

rinder s rules make the law work for you google books - Apr 11 2023

web rinder s rules make the law work for you ebook written by rob rinder read this book using google play books app on your pc android ios devices download for

[rinder s rules make the law work for you alibris](#) - Dec 27 2021

web oct 6 2020 what that means is that if you are a person who doesn t have access to justice or access to a privileged network then your outcomes in every conceivable way are

rinder s rules make the law work for you kindle - Jun 13 2023

web don t worry criminal barrister rob rinder star of the itv hit show judge rinder and columnist for the sun is here to help you take action from common legal woes to

rinder s rules penguin books uk - Feb 09 2023

web oct 8 2015 rinder s rules make the law work for you 256 by rob rinder editorial reviews read an excerpt of this book

add to wishlist rinder s rules make the law

rinder s rules make the law work for you hardcover - Aug 15 2023

web buy rinder s rules make the law work for you by rinder robert isbn 9781780894461 from amazon s book store everyday low prices and free delivery on eligible orders

rinder s rules make the law work for you kağıt kapak - Jul 14 2023

web rinder s rules make the law work for you rinder robert amazon com tr kitap

rinder s rules make the law work for you google play - Mar 10 2023

web with sections on jargon busting consumer rights and common mistakes rinder s rules provides a thorough guide to everyday legal issues that you can carry with you

rinder s rules by rob rinder is available in these libraries - Nov 25 2021

web oct 8 2015 from common legal woes to problems you may have this is a collection of real life stories of things gone wrong for which he provides sound legal advice with

rinder s rules make the law work for you paperback - Sep 04 2022

web select the department you want to search in search amazon in en hello sign in account lists returns orders cart all amazon minitv

rinder s rules make the law work for you by robert rinder - Jan 28 2022

web learn more about precise location detection showing public libraries k 12 schools library name distance

rinder s rules make the law work for you kindle - Jan 08 2023

web find helpful customer reviews and review ratings for rinder s rules make the law work for you at amazon com read honest and unbiased product reviews from our users

amazon co uk customer reviews rinder 39 s rules make the - Nov 06 2022

web rinder s rules make the law work for you rinder robert amazon com au books

rinder s rules overdrive - Feb 26 2022

web buy rinder s rules make the law work for you by robert rinder online at alibris we have new and used copies available in 1 editions starting at 6 85 shop now

robert rinder law is meaningless unless everybody has access - Oct 25 2021