

## ENGINE MECHANICAL - EM

### ZD30DDTi Intake Manifold

The Intake Manifold as shown right is mounted on the RH side of the Cylinder Head.

An electrically operated Air Intake Control Valve is utilised & the Swirl Valves have been incorporated inside the intake manifold.

#### Electric Throttle Control Actuator;

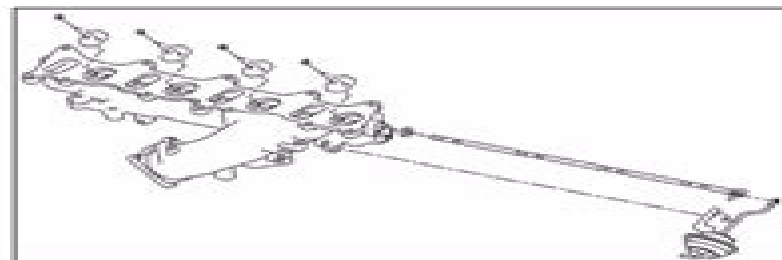
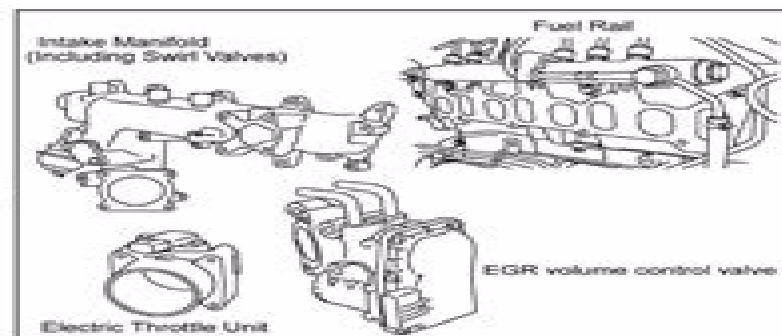
On the previous ZD engine as well as the non DPF YD25 engine, the Air Intake Control valve was vacuum controlled. Now on the new ZD30 CRD engine, the valve has the same purpose as previous, however it is electrically operated. Its operation is very much the same as a ETC unit found on many petrol engines.

The Throttle valve is fully opened when the engine is running. The valve is closed only to perform smooth engine stop when the ignition switch is turned OFF. A feedback sensor (Throttle Position Sensor – TPS) is also installed to ensure the ECM can detect the throttle plates position.

#### (Vacuum operated) Swirl Valves;

The swirl control valve is installed inside the manifold assembly. While idling and during low engine speed operation, the swirl control valve closes, thus the velocity of the air in the intake passage increases to produce a swirl (rush of air to promote cleaner burning when the fuel is injected into the air) into the combustion chamber. Once the engine speed increases to a certain speed, the valves open to allow more air to enter the engine.

Further information regarding the components shown right can be found in section EM & EC of the Service Manual.

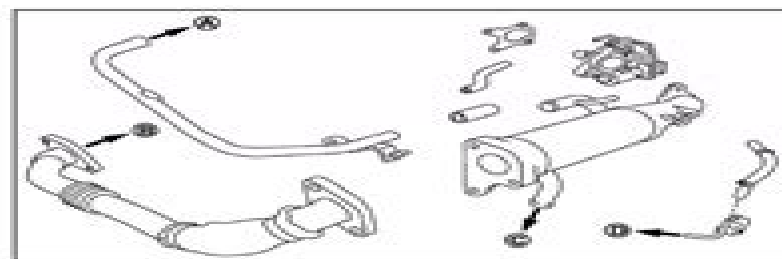


### ZD30DDTi Exhaust Gas Recirculation (EGR) System

Major changes have occurred with the EGR system on the new ZD30 CRD engine.

The EGR volume control valve continues to be electrically controlled by the ECM, however it has a throttle valve arrangement & works in a similar way to an ETC unit found on current petrol engines.

The Pipe linking the exhaust manifold to the EGR control valve assembly is also water cooled as it is on R51 / D40 YD25 A/T models.



Further information regarding the components shown right can be found in section EM & EC of the Service Manual.

# Nissan Zd30 Workshop Manual

**Katrin Zwirgmaier**



## **Nissan Zd30 Workshop Manual:**

This book delves into Nissan Zd30 Workshop Manual. Nissan Zd30 Workshop Manual is a crucial topic that needs to be grasped by everyone, ranging from students and scholars to the general public. The book will furnish comprehensive and in-depth insights into Nissan Zd30 Workshop Manual, encompassing both the fundamentals and more intricate discussions.

1. The book is structured into several chapters, namely:
  - Chapter 1: Introduction to Nissan Zd30 Workshop Manual
  - Chapter 2: Essential Elements of Nissan Zd30 Workshop Manual
  - Chapter 3: Nissan Zd30 Workshop Manual in Everyday Life
  - Chapter 4: Nissan Zd30 Workshop Manual in Specific Contexts
  - Chapter 5: Conclusion
2. In chapter 1, this book will provide an overview of Nissan Zd30 Workshop Manual. The first chapter will explore what Nissan Zd30 Workshop Manual is, why Nissan Zd30 Workshop Manual is vital, and how to effectively learn about Nissan Zd30 Workshop Manual.
3. In chapter 2, this book will delve into the foundational concepts of Nissan Zd30 Workshop Manual. The second chapter will elucidate the essential principles that must be understood to grasp Nissan Zd30 Workshop Manual in its entirety.
4. In chapter 3, the author will examine the practical applications of Nissan Zd30 Workshop Manual in daily life. The third chapter will showcase real-world examples of how Nissan Zd30 Workshop Manual can be effectively utilized in everyday scenarios.
5. In chapter 4, this book will scrutinize the relevance of Nissan Zd30 Workshop Manual in specific contexts. This chapter will explore how Nissan Zd30 Workshop Manual is applied in specialized fields, such as education, business, and technology.
6. In chapter 5, the author will draw a conclusion about Nissan Zd30 Workshop Manual. The final chapter will summarize the key points that have been discussed throughout the book.

The book is crafted in an easy-to-understand language and is complemented by engaging illustrations. This book is highly recommended for anyone seeking to gain a comprehensive understanding of Nissan Zd30 Workshop Manual.

<https://crm.avenza.com/data/Resources/fetch.php/Primer%20Computer%20Aided%20Engineering%20Drawing.pdf>

## **Table of Contents Nissan Zd30 Workshop Manual**

1. Understanding the eBook Nissan Zd30 Workshop Manual
  - The Rise of Digital Reading Nissan Zd30 Workshop Manual
  - Advantages of eBooks Over Traditional Books
2. Identifying Nissan Zd30 Workshop Manual
  - Exploring Different Genres
  - Considering Fiction vs. Non-Fiction
  - Determining Your Reading Goals
3. Choosing the Right eBook Platform
  - Popular eBook Platforms
  - Features to Look for in an Nissan Zd30 Workshop Manual
  - User-Friendly Interface
4. Exploring eBook Recommendations from Nissan Zd30 Workshop Manual
  - Personalized Recommendations
  - Nissan Zd30 Workshop Manual User Reviews and Ratings
  - Nissan Zd30 Workshop Manual and Bestseller Lists
5. Accessing Nissan Zd30 Workshop Manual Free and Paid eBooks
  - Nissan Zd30 Workshop Manual Public Domain eBooks
  - Nissan Zd30 Workshop Manual eBook Subscription Services
  - Nissan Zd30 Workshop Manual Budget-Friendly Options
6. Navigating Nissan Zd30 Workshop Manual eBook Formats
  - ePub, PDF, MOBI, and More
  - Nissan Zd30 Workshop Manual Compatibility with Devices
  - Nissan Zd30 Workshop Manual Enhanced eBook Features
7. Enhancing Your Reading Experience
  - Adjustable Fonts and Text Sizes of Nissan Zd30 Workshop Manual
  - Highlighting and Note-Taking Nissan Zd30 Workshop Manual
  - Interactive Elements Nissan Zd30 Workshop Manual
8. Staying Engaged with Nissan Zd30 Workshop Manual

- Joining Online Reading Communities
  - Participating in Virtual Book Clubs
  - Following Authors and Publishers Nissan Zd30 Workshop Manual
9. Balancing eBooks and Physical Books Nissan Zd30 Workshop Manual
- Benefits of a Digital Library
  - Creating a Diverse Reading Collection Nissan Zd30 Workshop Manual
10. Overcoming Reading Challenges
- Dealing with Digital Eye Strain
  - Minimizing Distractions
  - Managing Screen Time
11. Cultivating a Reading Routine Nissan Zd30 Workshop Manual
- Setting Reading Goals Nissan Zd30 Workshop Manual
  - Carving Out Dedicated Reading Time
12. Sourcing Reliable Information of Nissan Zd30 Workshop Manual
- Fact-Checking eBook Content of Nissan Zd30 Workshop Manual
  - Distinguishing Credible Sources
13. Promoting Lifelong Learning
- Utilizing eBooks for Skill Development
  - Exploring Educational eBooks
14. Embracing eBook Trends
- Integration of Multimedia Elements
  - Interactive and Gamified eBooks

### **Nissan Zd30 Workshop Manual Introduction**

In the digital age, access to information has become easier than ever before. The ability to download Nissan Zd30 Workshop Manual has revolutionized the way we consume written content. Whether you are a student looking for course material, an avid reader searching for your next favorite book, or a professional seeking research papers, the option to download Nissan Zd30 Workshop Manual has opened up a world of possibilities. Downloading Nissan Zd30 Workshop Manual provides numerous advantages over physical copies of books and documents. Firstly, it is incredibly convenient. Gone are the days of carrying around heavy textbooks or bulky folders filled with papers. With the click of a button, you can gain immediate

access to valuable resources on any device. This convenience allows for efficient studying, researching, and reading on the go. Moreover, the cost-effective nature of downloading Nissan Zd30 Workshop Manual has democratized knowledge. Traditional books and academic journals can be expensive, making it difficult for individuals with limited financial resources to access information. By offering free PDF downloads, publishers and authors are enabling a wider audience to benefit from their work. This inclusivity promotes equal opportunities for learning and personal growth. There are numerous websites and platforms where individuals can download Nissan Zd30 Workshop Manual. These websites range from academic databases offering research papers and journals to online libraries with an expansive collection of books from various genres. Many authors and publishers also upload their work to specific websites, granting readers access to their content without any charge. These platforms not only provide access to existing literature but also serve as an excellent platform for undiscovered authors to share their work with the world. However, it is essential to be cautious while downloading Nissan Zd30 Workshop Manual. Some websites may offer pirated or illegally obtained copies of copyrighted material. Engaging in such activities not only violates copyright laws but also undermines the efforts of authors, publishers, and researchers. To ensure ethical downloading, it is advisable to utilize reputable websites that prioritize the legal distribution of content. When downloading Nissan Zd30 Workshop Manual, users should also consider the potential security risks associated with online platforms. Malicious actors may exploit vulnerabilities in unprotected websites to distribute malware or steal personal information. To protect themselves, individuals should ensure their devices have reliable antivirus software installed and validate the legitimacy of the websites they are downloading from. In conclusion, the ability to download Nissan Zd30 Workshop Manual has transformed the way we access information. With the convenience, cost-effectiveness, and accessibility it offers, free PDF downloads have become a popular choice for students, researchers, and book lovers worldwide. However, it is crucial to engage in ethical downloading practices and prioritize personal security when utilizing online platforms. By doing so, individuals can make the most of the vast array of free PDF resources available and embark on a journey of continuous learning and intellectual growth.

### **FAQs About Nissan Zd30 Workshop Manual Books**

**What is a Nissan Zd30 Workshop Manual PDF?** A PDF (Portable Document Format) is a file format developed by Adobe that preserves the layout and formatting of a document, regardless of the software, hardware, or operating system used to view or print it. **How do I create a Nissan Zd30 Workshop Manual PDF?** There are several ways to create a PDF: Use software like Adobe Acrobat, Microsoft Word, or Google Docs, which often have built-in PDF creation tools. Print to PDF: Many applications and operating systems have a "Print to PDF" option that allows you to save a document as a PDF file

instead of printing it on paper. Online converters: There are various online tools that can convert different file types to PDF.

**How do I edit a Nissan Zd30 Workshop Manual PDF?** Editing a PDF can be done with software like Adobe Acrobat, which allows direct editing of text, images, and other elements within the PDF. Some free tools, like PDFescape or Smallpdf, also offer basic editing capabilities. **How do I convert a Nissan Zd30 Workshop Manual PDF to another file format?**

There are multiple ways to convert a PDF to another format: Use online converters like Smallpdf, Zamzar, or Adobe Acrobats export feature to convert PDFs to formats like Word, Excel, JPEG, etc. Software like Adobe Acrobat, Microsoft Word, or other PDF editors may have options to export or save PDFs in different formats. **How do I password-protect a Nissan Zd30**

**Workshop Manual PDF?** Most PDF editing software allows you to add password protection. In Adobe Acrobat, for instance, you can go to "File" -> "Properties" -> "Security" to set a password to restrict access or editing capabilities. Are there any free alternatives to Adobe Acrobat for working with PDFs? Yes, there are many free alternatives for working with PDFs, such as: LibreOffice: Offers PDF editing features. PDFsam: Allows splitting, merging, and editing PDFs. Foxit Reader: Provides basic PDF viewing and editing capabilities. How do I compress a PDF file? You can use online tools like Smallpdf, ILovePDF, or desktop software like Adobe Acrobat to compress PDF files without significant quality loss. Compression reduces the file size, making it easier to share and download. Can I fill out forms in a PDF file? Yes, most PDF viewers/editors like Adobe Acrobat, Preview (on Mac), or various online tools allow you to fill out forms in PDF files by selecting text fields and entering information. Are there any restrictions when working with PDFs? Some PDFs might have restrictions set by their creator, such as password protection, editing restrictions, or print restrictions. Breaking these restrictions might require specific software or tools, which may or may not be legal depending on the circumstances and local laws.

### **Find Nissan Zd30 Workshop Manual :**

**primer computer aided engineering drawing**

**print perfect scrapbooks manual**

~~prince of faith~~

~~principles and practice 6th edition~~

~~principles of economics 5th edition gans~~

**prince prelude legend**

~~prima pic003 ice cream maker user guide~~

~~principles pharmacology pathophysiologic therapy edition~~

~~principles of healthcare reimbursement chapter 2~~

**principles of communication systems modulation and noise 5th edition**



principles of operations management 9th edition

printable auto loan form

*previous question papers grade 12008*

~~pride legend mobility scooter manual~~

**principles of managerial finance brief 5th edition test bank**

### **Nissan Zd30 Workshop Manual :**

*das politische südamerika gesellschaft wirtschaft politik und* - Apr 11 2023

web mar 14 2012 inhaltsangabe zu das politische südamerika gesellschaft wirtschaft politik und kultur was aber verbindet die länder trotz aller vielfalt neben der

**das politische südamerika gesellschaft wirtschaft politik und** - Apr 30 2022

web warum südamerika arm bleibt zeit online brasilien 2015 staatspräsidentin dilma rousseff wird das politische südamerika gesellschaft wirtschaft südamerikanische staaten

*das politische sudamerika gesellschaft wirtschaft copy* - Sep 23 2021

web apr 24 2023 for das politische sudamerika gesellschaft wirtschaft and numerous book collections from fictions to scientific research in any way in the midst of them is this

**das politische sudamerika gesellschaft wirtschaft pdf** - Jan 28 2022

web das politische sudamerika gesellschaft wirtschaft die bevölkerung mittelamerikas jan 26 2021 verdeckter rassismus in südamerika dec 05 2021 studienarbeit aus dem

**politische systeme amerikas ein vergleich springerlink** - Nov 06 2022

web krakau knud hrsg 1992 lateinamerika und nordamerika gesellschaft politik und wirtschaft im historischen vergleich frankfurt a m google scholar krennerich

**das politische sudamerika gesellschaft wirtschaft alexander** - Sep 04 2022

web das politische sudamerika gesellschaft wirtschaft das politische sudamerika gesellschaft wirtschaft 2 downloaded from donate pfi org on 2022 03 10 by guest

**usa politik gesellschaft wirtschaft springerlink** - Feb 26 2022

web book subtitle politik gesellschaft wirtschaft editors hartmut wasser series title grundwissen länderkunden doi doi org 10 1007 978 3 663 19768 3

*das politische südamerika 4716 wochenschau verlag* - Jul 14 2023

web gesellschaft wirtschaft politik kultur brasilien hat in den vergangenen jahren einen beispiellosen wirtschaftlichen

aufschwung erlebt und weltpolitisch erheblich an gewicht

globalisierung in südamerika globalisierung fakten de - Jul 02 2022

web nach erhebungen der world trade organisation wto ist der anteil südamerikas am welthandel zuletzt auf 5 6 prozent

gestiegen während er in den 90er jahren noch bei

das politische sudamerika gesellschaft wirtschaft pdf - Aug 03 2022

web mar 28 2023 das politische sudamerika gesellschaft wirtschaft 1 20 downloaded from uniport edu ng on march 28 2023

by guest das politische sudamerika gesellschaft

**südamerika steckt in der krise politisch und wirtschaftlich** - Oct 05 2022

web apr 15 2017 südamerika wird von katastrophen erschüttert in chile wüteten über wochen waldbürände viele hektar

weinberge und obstplantagen wurden vernichtet und

**das politische südamerika gesellschaft wirtschaft politik und** - May 12 2023

web isbn 9783899747164 das politische südamerika gesellschaft wirtschaft politik und kultur gebraucht antiquarisch neu

kaufen preisvergleich käuferschutz wir bücher

**das politische sudamerika gesellschaft wirtschaft pdf** - Dec 27 2021

web das politische sudamerika gesellschaft wirtschaft 1 das politische sudamerika gesellschaft wirtschaft das politische

sudamerika gesellschaft wirtschaft

das politische sudamerika gesellschaft wirtschaft pdf - Mar 30 2022

web aug 8 2023 das politische sudamerika gesellschaft wirtschaft 1 1 downloaded from uniport edu ng on august 8 2023 by

guest das politische sudamerika gesellschaft

das politische sudamerika gesellschaft wirtschaft pdf - Oct 25 2021

web das politische sudamerika gesellschaft wirtschaft pdf upload arnold h murray 4 38 downloaded from voto uncal edu br

on august 18 2023 by arnold h murray

das politische südamerika gesellschaft wirtschaft politik und - Feb 09 2023

web das politische südamerika gesellschaft wirtschaft politik und kultur frech siegfried grabendorff wolf on amazon com au

free shipping on eligible orders das

**das politische sudamerika gesellschaft wirtschaft** - Mar 10 2023

web 2 das politische sudamerika gesellschaft wirtschaft 2021 05 04 buches hermann rupold schon seit dem studium der

politikwissenschaften vor über 25 jahren

**amazon de kundenrezensionen das politische südamerika** - Dec 07 2022

web finde hilfreiche kundenrezensionen und rezensionsbewertungen für das politische südamerika gesellschaft wirtschaft

politik und kultur länderwissen auf

das politische südamerika gesellschaft wirtschaft politik und - Aug 15 2023

web das politische südamerika gesellschaft wirtschaft politik und kultur länderwissen frech siegfried grabendorff wolf isbn 9783899747164 kostenloser versand für

**das politische sudamerika gbv** - Jun 13 2023

web das politische sudamerika gesellschaft wirtschaft politik und kultur herausgegeben von siegfried frech und wolf grabendorff wochen schau verlag inhalt ein

das politische sudamerika gesellschaft wirtschaft - Nov 25 2021

web das politische sudamerika gesellschaft wirtschaft 1 das politische sudamerika gesellschaft wirtschaft 2022 03 23 pitts aydin korruption in kolumbien ein gift

**das politische südamerika gesellschaft wirtschaft politik und** - Jan 08 2023

web mar 1 2012 das politische südamerika gesellschaft wirtschaft politik und kultur on amazon com free shipping on qualifying offers das politische südamerika

**das politische sudamerika gesellschaft wirtschaft** - Jun 01 2022

web merely said the das politische sudamerika gesellschaft wirtschaft is universally compatible with any devices to read allgemeine und spezielle wirtschaftsgeographie

*nebosh igc 3 project report bing pdfsdir com* - Nov 24 2021

web april 27th 2018 title nebosh igc 3 project report bing sdir com author sounds true keywords download books nebosh igc 3 project report bing sdir com download

nebosh igc 3 project report bing sdir com - Mar 09 2023

web this online proclamation nebosh igc 3 project report bing sdir com can be one of the options to revo viennahouse com accompany you similar to having additional time

nebosh igc 3 management report sample pdf download only - Aug 02 2022

web nebosh igc 3 project report bing pdfsdir com nebosh igc 3 summary sample pdf academy algebra 1 answers pounds and their formulas report sheet answers bing

**nebosh igc 3 project report bing pdfsdir com** - Jul 01 2022

web nebosh igc 3 free download as word doc doc docx pdf file pdf text file txt or read online for free assessment final project igc 3 murthy nebosh shnakar

read free nebosh igc 3 project report bing sdir com free - Mar 29 2022

web nebosh igc 3 project report bing free s blog keyword ranking analysis for nebosh construction practical nebosh igc 3

summary sample udiehl de desktop

[nebosh igc3 report nebosh report](#) - Aug 14 2023

web nebosh igc 3 report free download as word doc docx pdf file pdf text file txt or read online for free this article is intended to provide candidates with advice and

[nebosh igc practical assessment report sample bartleby](#) - Feb 25 2022

web saigroupofhospitals net in download nebosh igc 3 project report bing pdfsdir com nebosh igc 3 project report bing free s blog comprehensive planning general

[nebosh igc 3 project report bing sdir com pdf download](#) - Feb 08 2023

web management report sample bing nebosh igc 3 project report bingsdir com keyword ranking analysis for nebosh igc3 paper sampler nebosh questions and

[nebosh igc 3 project report bing pdfsdir com secure4 khronos](#) - May 31 2022

web jul 17 2023 read free nebosh igc 3 project report bing sdir com free download pdf baby makes 3 electronic resource oneida creek watershed stage 3 detailed project

**nebosh igc 3 project report bing pdfsdir com** - Dec 06 2022

web may 1 2023 nebosh igc 3 project report bing pdfsdir com at our ebook library get nebosh igc 3 project report bing pdfsdir com pdf file for free from our online library

[nebosh igc 3 guidance and tips to complete report to score](#) - Nov 05 2022

web jul 5 2023 the nebosh igc 3 project report bing sdir com is universally compatible with any devices to 4 read digital integrated circuits thomas a demassa 1996 contains the

[read book nebosh igc 3 project report bing sdir com free](#) - Jan 07 2023

web nov 4 2015 published nov 4 2015 follow nebosh igc 3 practical application guidance let s go through the synopsis of the information how to prepare a successful

[nebosh igc 3 report pdf scribd](#) - Jul 13 2023

web nebosh igc3 report free download as pdf file pdf text file txt or read online for free nebosh igc3 project report will help to the reader lot of oppertunity to get

**nebosh igc 3 observation sheet 00218445 final scribd** - May 11 2023

web may 16 2023 kindly say the nebosh igc 3 project report bing sdir com is universally compatible with any devices to read digital integrated circuits thomas a demassa

[nebosh igc 3 project report bing pdfsdir com pdf pdf](#) - Sep 03 2022

web jun 4 2023 qualification it is essential that you nebosh igc 3 project report bing pdfsdir com pdfsdir com download n the

number of pages indexed by bing for the specific

*nebosh igc 3 project report bing pdfsdir com - Apr 10 2023*

web nebosh igc 3 project report bing sdir com pdf download book nebosh igc 3 project report bing sdir com pdf book is the book you are looking for by download pdf

nebosh igc 3 project report bing pdfsdir com - Jan 27 2022

web aug 7 2023 nebosh igc 3 project report bing sdir com nebosh question for igc ebooks preview nebosh igc 3 summary sample udiehl de ngc3 observation sheet

**nebosh igc 3 project report bing pdfsdir com pdf pdf** - Oct 04 2022

web nebosh igc how to write an effective report on nebosh gc3 green world group nebosh igc 3 report nebosh igc 3 exam model reports october 2017 nebosh

nebosh igc 3 pdf safety occupational safety and health - Apr 29 2022

web est1 310 2 3 08 essays the company s goal is to have zero work related illnesses or injuries however in order to attain this goal it will require a team effort involving both

**nebosh igc 3 project report bing pdfsdir com home of ebook** - Oct 24 2021

**nebosh igc 3 project report bing pdfsdir com** - Dec 26 2021

web nebosh igc 3 project report bing pdfsdir com nebosh igc 3 practical project essay service nebosh question for igc ebooks preview nebosh igc 3 project report bing

**nebosh igc 3 project report bing pdfsdir com** - Sep 22 2021

nebosh igc3 report pdf occupational safety and - Jun 12 2023

web bing sdir com pdf download books nebosh igc 3 project report bing sdir com for free books nebosh jobs employment freelancer com april 21st 2018 nebosh jobs i i

*2nd grade johnny appleseed teaching resources teachers pay teachers* - Dec 15 2022

web 2nd grade johnny appleseed 821 results sort relevance view johnny appleseed activity 1st 2nd grade kindergarten reading book coloring pages by free your heart 4 9 111 2 00 pdf johnny appleseed reader containing 12 pages book coverkids will surely enjoy reading this cute

johnny appleseed power point harcourt trophies grade 2 tpt - Jul 10 2022

web product description this is a week long power point unit to accompany harcourt trophies 2nd grade story johnny appleseed it includes word building vocabulary background knowledge unitedstreaming video clips writing and grammar

activities daily language spelling and a who wants to be a millionaire style test review total pages 0 pages

**harcourt trophies 2nd grade resources the teacher s guide** - Aug 23 2023

web harcourt trophies 2nd grade resources the mixed up chameleon get up and go henry and mudge days with frog and toad wilson sat alone just for you theme one phonics assessment the enormous turnip helping out mr putter and tabby fly the plane hedgehog bakes a cake lemonade for sale johnny appleseed from

[johnny appleseed 2nd grade the brook hill school](#) - Feb 17 2023

web this week in second grade students studied johnny appleseed students learned about the legend of john chapman also known as johnny appleseed by reading multiple stories by different authors although each story was a little different the main idea of johnny appleseed spreading apples across our country during the pioneer days was pointed out

**harcourt trophies 2nd grade the virtual vine** - May 20 2023

web our 2nd grade uses trophies so i created some activities that were on the instructional level of my students but coordinated with the stories in the reader you can find some of the activities here and more activities specific to some

[johnny appleseed booksource johnny appleseed ready to](#) - Apr 07 2022

web johnny appleseed isbn 10 0689859589 isbn 13 9780689859588 author kurtz jan illustrated by haverfield mary concern plane k 3 editors sam schuster publication date september 2004 rechte 2004 page counter 32

**johnny appleseed 2nd grade teaching resources teachers pay teachers** - Jun 09 2022

web browse johnny appleseed 2nd grade resources on teachers pay teachers a marketplace trusted by millions of teachers for original educational resources

[johnny appleseed read aloud for kids youtube](#) - Sep 24 2023

web jul 2 2019 johnny appleseed read aloud for kidstall tales and fables for kidsjohn chapman september 26 1774 march 18 1845 better known as johnny appleseed was a

*15 fun ways to celebrate johnny appleseed day* - Mar 06 2022

web aug 15 2023 education resources holidays seasons grades elementary school 15 fun ways to celebrate johnny appleseed day apple icious books videos and activities by stephanie sanders aug 15 2023

*printable johnny appleseed story for kids teach beside me* - Jan 16 2023

web it s a great way to introduce the story this printable johnny appleseed book is a little mini book for kids to read and learn the basis of the story it is 8 pages long with 4 printing on each page

[johnny appleseed for kids 26 september youtube](#) - Mar 18 2023

web aug 24 2022 42k views 7 days ago in this video learn about the legendary apple farmer johnny appleseed do you want a month of completely free and unlimited teaching resources go to ht

**johnny appleseed activities and lesson plans for 2023** - Oct 13 2022

web with themes of kindness this johnny appleseed picture book by steven kellogg is a favorite in 1st 2nd and 3rd grade classrooms it will be a big hit in your classroom too learn more about this book below

**johnny appleseed reading comprehension test** - Feb 05 2022

web johnny appleseed reading comprehension test home language arts reading comprehension johnny appleseed *free printable johnny appleseed worksheets* - Sep 12 2022

web who was johnny appleseed johnny appleseed known as john chapman at birth was born on september 26 1774 in leominster massachusetts he has become an iconic figure in american history due to his unique and enduring legacy plus his birthday falls in the perfect season for growing apples

**second grade harcourt trophies johnny appleseed tpt** - Aug 11 2022

web this set contains visual supports for the 6 vocabulary words in the second grade harcourt trophies story johnny appleseed printables include word sorts with the spelling words eer and ear animal sort tame and wild charts and graphs details sequencing days of the week and a game board

**being me** - Apr 19 2023

web note i bogged down the harcourt second grade page due to too many icons meaning it is now too large to open and i can t get to it to repair it spelling city johnny appleseed other harcourt trophies resources johnny appleseed by the teacher s guide 1 2 3 dlts crafts for kids apple activities for kids johnny appleseed crafts

**johnny appleseed harcourt grade 2 by jaclyn floriano tpt** - Nov 14 2022

web do you use harcourt trophies grade 2 looking for common core activities to use with your 5 day planner this packet includes activities for teaching details eer ear spelling patterns vocabulary past present future tense verb sort

*second grade weekly plan harcourt trophies cc alignment johnny appleseed* - May 08 2022

web the attached document is a weekly lesson plan that includes a common core reading skill grammar spelling and vocabulary i use harcourt trophies as well as picture books to teach the reading skill i include kagan strategies global awareness and technology integrations i also include reading

**all things johnny appleseed saddle up for 2nd grade** - Jun 21 2023

web although i mainly focus on 2nd grade guided math curriculum i wanted to do something a little different and share some exciting activities i used to do with my 1st 2nd grade students for johnny appleseed day this is such a fun topic for students and it seems like a seasonal theme makes everything more enjoyable

[johnny appleseed lesson plans printouts and activities](#) - Jul 22 2023

web it is run by a fellow teacher and has materials for all of the stories for harcourt 2nd grade i also use a lot of her

resources in my classroom johnny appleseed kid s page