

Pontiac Wave 2004-2006 Workshop Manual

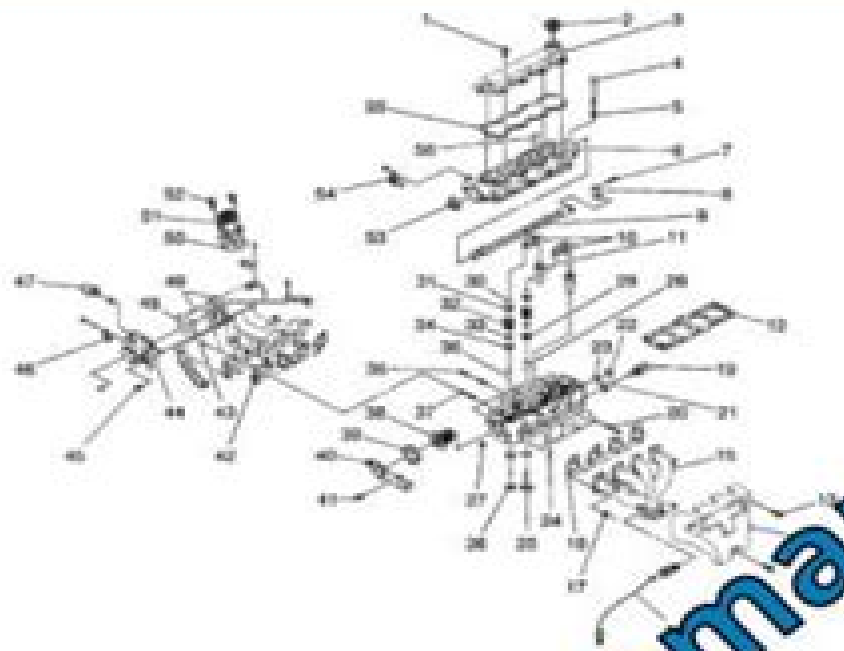


Fig. 1: Upper End
Courtesy of GENERAL MOTORS CORP.

Callouts For Fig. 1

Callout	Component Name
01	Bolt
02	Cap - Back
03	Valve Guide
04	Cylinder Head Bolt
05	Camshaft
06	Roller Follower Support
07	Bolt
08	Camshaft Pressure Plate
09	Camshaft
10	Roller Follower
11	Roller Follower Lifter

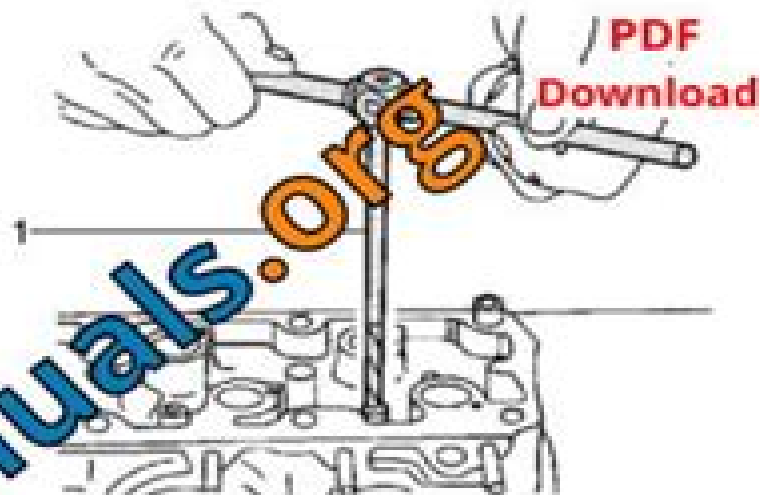


Fig. 62: Measuring Valve Guide Diameter Using KM-571-B
Courtesy of GENERAL MOTORS CORP.

CAUTION: Refer to Safety Glasses Caution in Cautions and Notices.

Measure the diameter of the valve guide using the KM-571-B and a commercially available inside micrometer.

IMPORTANT: Valve oversizes may already have been fitted in production.

An oversize code is on the valve guide and the valve stem end. The Valve Guide Reaming Table gives the correct size, reamer, and production code for each service code. Refer to Engine Mechanical Specifications.

Ream the valve guide from the upper side of the cylinder head to the next oversize. After reaming, cross out the code and emboss the valve guide with the new code.

Pontiac Repair Manuel

Zhe Xu



Pontiac Repair Manuel:

Delve into the emotional tapestry woven by Crafted by in **Pontiac Repair Manuel** . This ebook, available for download in a PDF format (*), is more than just words on a page; itis a journey of connection and profound emotion. Immerse yourself in narratives that tug at your heartstrings. Download now to experience the pulse of each page and let your emotions run wild.

https://crm.avenza.com/book/detail/HomePages/owners_manual_for_1994_bmw_320i.pdf

Table of Contents Pontiac Repair Manuel

1. Understanding the eBook Pontiac Repair Manuel
 - The Rise of Digital Reading Pontiac Repair Manuel
 - Advantages of eBooks Over Traditional Books
2. Identifying Pontiac Repair Manuel
 - Exploring Different Genres
 - Considering Fiction vs. Non-Fiction
 - Determining Your Reading Goals
3. Choosing the Right eBook Platform
 - Popular eBook Platforms
 - Features to Look for in an Pontiac Repair Manuel
 - User-Friendly Interface
4. Exploring eBook Recommendations from Pontiac Repair Manuel
 - Personalized Recommendations
 - Pontiac Repair Manuel User Reviews and Ratings
 - Pontiac Repair Manuel and Bestseller Lists
5. Accessing Pontiac Repair Manuel Free and Paid eBooks
 - Pontiac Repair Manuel Public Domain eBooks
 - Pontiac Repair Manuel eBook Subscription Services
 - Pontiac Repair Manuel Budget-Friendly Options
6. Navigating Pontiac Repair Manuel eBook Formats

- ePub, PDF, MOBI, and More
 - Pontiac Repair Manuel Compatibility with Devices
 - Pontiac Repair Manuel Enhanced eBook Features
7. Enhancing Your Reading Experience
 - Adjustable Fonts and Text Sizes of Pontiac Repair Manuel
 - Highlighting and Note-Taking Pontiac Repair Manuel
 - Interactive Elements Pontiac Repair Manuel
 8. Staying Engaged with Pontiac Repair Manuel
 - Joining Online Reading Communities
 - Participating in Virtual Book Clubs
 - Following Authors and Publishers Pontiac Repair Manuel
 9. Balancing eBooks and Physical Books Pontiac Repair Manuel
 - Benefits of a Digital Library
 - Creating a Diverse Reading Collection Pontiac Repair Manuel
 10. Overcoming Reading Challenges
 - Dealing with Digital Eye Strain
 - Minimizing Distractions
 - Managing Screen Time
 11. Cultivating a Reading Routine Pontiac Repair Manuel
 - Setting Reading Goals Pontiac Repair Manuel
 - Carving Out Dedicated Reading Time
 12. Sourcing Reliable Information of Pontiac Repair Manuel
 - Fact-Checking eBook Content of Pontiac Repair Manuel
 - Distinguishing Credible Sources
 13. Promoting Lifelong Learning
 - Utilizing eBooks for Skill Development
 - Exploring Educational eBooks
 14. Embracing eBook Trends
 - Integration of Multimedia Elements
 - Interactive and Gamified eBooks

Pontiac Repair Manuel Introduction

Pontiac Repair Manuel Offers over 60,000 free eBooks, including many classics that are in the public domain. Open Library: Provides access to over 1 million free eBooks, including classic literature and contemporary works. Pontiac Repair Manuel Offers a vast collection of books, some of which are available for free as PDF downloads, particularly older books in the public domain. Pontiac Repair Manuel : This website hosts a vast collection of scientific articles, books, and textbooks. While it operates in a legal gray area due to copyright issues, its a popular resource for finding various publications. Internet Archive for Pontiac Repair Manuel : Has an extensive collection of digital content, including books, articles, videos, and more. It has a massive library of free downloadable books. Free-eBooks Pontiac Repair Manuel Offers a diverse range of free eBooks across various genres. Pontiac Repair Manuel Focuses mainly on educational books, textbooks, and business books. It offers free PDF downloads for educational purposes. Pontiac Repair Manuel Provides a large selection of free eBooks in different genres, which are available for download in various formats, including PDF. Finding specific Pontiac Repair Manuel, especially related to Pontiac Repair Manuel, might be challenging as theyre often artistic creations rather than practical blueprints. However, you can explore the following steps to search for or create your own Online Searches: Look for websites, forums, or blogs dedicated to Pontiac Repair Manuel, Sometimes enthusiasts share their designs or concepts in PDF format. Books and Magazines Some Pontiac Repair Manuel books or magazines might include. Look for these in online stores or libraries. Remember that while Pontiac Repair Manuel, sharing copyrighted material without permission is not legal. Always ensure youre either creating your own or obtaining them from legitimate sources that allow sharing and downloading. Library Check if your local library offers eBook lending services. Many libraries have digital catalogs where you can borrow Pontiac Repair Manuel eBooks for free, including popular titles. Online Retailers: Websites like Amazon, Google Books, or Apple Books often sell eBooks. Sometimes, authors or publishers offer promotions or free periods for certain books. Authors Website Occasionally, authors provide excerpts or short stories for free on their websites. While this might not be the Pontiac Repair Manuel full book , it can give you a taste of the authors writing style. Subscription Services Platforms like Kindle Unlimited or Scribd offer subscription-based access to a wide range of Pontiac Repair Manuel eBooks, including some popular titles.

FAQs About Pontiac Repair Manuel Books

How do I know which eBook platform is the best for me? Finding the best eBook platform depends on your reading preferences and device compatibility. Research different platforms, read user reviews, and explore their features before making a choice. Are free eBooks of good quality? Yes, many reputable platforms offer high-quality free eBooks, including

classics and public domain works. However, make sure to verify the source to ensure the eBook credibility. Can I read eBooks without an eReader? Absolutely! Most eBook platforms offer webbased readers or mobile apps that allow you to read eBooks on your computer, tablet, or smartphone. How do I avoid digital eye strain while reading eBooks? To prevent digital eye strain, take regular breaks, adjust the font size and background color, and ensure proper lighting while reading eBooks. What the advantage of interactive eBooks? Interactive eBooks incorporate multimedia elements, quizzes, and activities, enhancing the reader engagement and providing a more immersive learning experience. Pontiac Repair Manuel is one of the best book in our library for free trial. We provide copy of Pontiac Repair Manuel in digital format, so the resources that you find are reliable. There are also many Ebooks of related with Pontiac Repair Manuel. Where to download Pontiac Repair Manuel online for free? Are you looking for Pontiac Repair Manuel PDF? This is definitely going to save you time and cash in something you should think about. If you trying to find then search around for online. Without a doubt there are numerous these available and many of them have the freedom. However without doubt you receive whatever you purchase. An alternate way to get ideas is always to check another Pontiac Repair Manuel. This method for see exactly what may be included and adopt these ideas to your book. This site will almost certainly help you save time and effort, money and stress. If you are looking for free books then you really should consider finding to assist you try this. Several of Pontiac Repair Manuel are for sale to free while some are payable. If you arent sure if the books you would like to download works with for usage along with your computer, it is possible to download free trials. The free guides make it easy for someone to free access online library for download books to your device. You can get free download on free trial for lots of books categories. Our library is the biggest of these that have literally hundreds of thousands of different products categories represented. You will also see that there are specific sites catered to different product types or categories, brands or niches related with Pontiac Repair Manuel. So depending on what exactly you are searching, you will be able to choose e books to suit your own need. Need to access completely for Campbell Biology Seventh Edition book? Access Ebook without any digging. And by having access to our ebook online or by storing it on your computer, you have convenient answers with Pontiac Repair Manuel To get started finding Pontiac Repair Manuel, you are right to find our website which has a comprehensive collection of books online. Our library is the biggest of these that have literally hundreds of thousands of different products represented. You will also see that there are specific sites catered to different categories or niches related with Pontiac Repair Manuel So depending on what exactly you are searching, you will be able to choose ebook to suit your own need. Thank you for reading Pontiac Repair Manuel. Maybe you have knowledge that, people have search numerous times for their favorite readings like this Pontiac Repair Manuel, but end up in harmful downloads. Rather than reading a good book with a cup of coffee in the afternoon, instead they juggled with some harmful bugs inside their laptop. Pontiac Repair Manuel is available in our book collection an online access to it is set as public so you can download it instantly. Our digital library spans in multiple locations, allowing

you to get the most less latency time to download any of our books like this one. Merely said, Pontiac Repair Manuel is universally compatible with any devices to read.

Find Pontiac Repair Manuel :

owners manual for 1994 bmw 320i

owner manual kia rio 2013

~~owners manual 2002 dyna wide glide~~

owners manual buick century 2002

owners manual for 20chevy trailblazer ls

~~owners manual 2013 kia forte ex~~

owners manual for 2007 bmw m6 convertible

owners manual aprilia rsv mille

owners manual for craftsman lt1000 lawn tractor

owners manual for 560 farmall tractor

owner manual sanderson teleporter 726

owners manual for a 1999 honda vt750c

owners manual for 2004 harley davidson flht

owners manual 95 nissan maxima

owner manual schwinn 430 elliptical

Pontiac Repair Manuel :

Lateral Thinking: A Textbook of Creativity Lateral thinking is all about freeing up your imagination. Through a series of special techniques, in groups or working alone, Edward de Bono shows us how to ... Lateral Thinking: Creativity Step by Step - Amazon.com Where vertical thinking seeks to find one answer, lateral thinking aims to find as many alternatives as possible, no matter how silly the alternatives may ... Lateral Thinking by Edward de Bono According to Bono, lateral thinking is creative and relies on 'thinking in an explorative manner to find different possibilities'. Vertical thinking is ... Lateral Thinking by E de Bono · Cited by 2964 — A Textbook of Creativity. Penguin Books. Page 2. ABC Amber ePub Converter Trial ... Lateral thinking is closely related to creativity. But whereas creativity is. Is Edward de Bono's Lateral Thinking worth a read? May 18, 2013 — His proposition is that it is possible to learn how to think. He has authored many books about

creativity. Lateral Thinking By Edward De Bono 37.epub In his book Lateral Thinking: A Textbook of Creativity, de Bono explains the theory and practice of lateral thinking, and provides a series of techniques and ... Lateral Thinking: A Textbook of Creativity - Edward de Bono THE classic work about improving creativity from world-renowned writer and philosopher Edward de Bono. In schools we are taught to meet problems head-on: ... LATERAL THINKING A Textbook of Creativity New York: Harper & Row, 1970. 1st U.S. Edition; First Printing. Hardcover. Item #169317 ISBN: 0060110074 Very Good+ in a Very Good+ dust jacket. ; 9.3 X 6.4 ... List of books by author Edward de Bono Looking for books by Edward de Bono? See all books authored by Edward de Bono, including Six Thinking Hats, and Lateral Thinking: A Textbook of Creativity, ... The Laughing Classroom: Everyone's Guide to Teaching ... The book gives teachers 50 ways to say "you did OK," 15 play breaks, and humorous homework assignments to make the task fun. This edition includes a new ... The Laughing Classroom THE LAUGHING CLASSROOM; EVERYONE'S GUIDE TO TEACHING WITH HUMOR AND PLAY. This book helps move teachers from a "limiting" teaching style to a "laughing ... The Laughing Classroom: Everyone's Guide to Teaching ... The Laughing Classroom: Everyone's Guide to Teaching with Humor and Play. By Diana Loomans, Karen Kolberg. About this book ... The Laughing Classroom: Everyone's Guide to Teaching ... The book gives teachers 50 ways to say "you did OK," 15 play breaks, and humorous homework assignments to make the task fun. This edition includes a new ... The Laughing Classroom: Everyone's Guide to Teaching ... Apr 1, 1993 — Read 9 reviews from the world's largest community for readers. What distinguishes a boring classroom from a learning classroom? Laughter. Everyone's Guide to Teaching with Humor and Play: Diana ... The Laughing Classroom: Everyone's Guide to Teaching with Humor and Play is a Used Trade Paperback available to purchase and shipped from Firefly Bookstore ... The Laughing Classroom: Everyone's Guide to Teaching ... What distinguishes a boring classroom from a learning classroom? Laughter. This book helps move teachers from a "limiting" teaching style to a "laughing" ... The Laughing Classroom: Everyone's Guide to Teaching ... THE LAUGHING CLASSROOM is packed with hands-on techniques for applying humor & play to all aspects of teaching--techniques that have been successful for ... The Laughing Classroom, Everyone's Guide to Teaching ... by J Morgan · 1995 · Cited by 1 — The Laughing Classroom is filled with hands-on techniques to try in any situation. From one-minute warm-ups (making three faces, passing the compliment, mental ... The Laughing Classroom: Everyone's Guide to Teaching ... The Laughing Classroom: Everyone's Guide to Teaching with Humor and Play (Loomans, Diane) by Loomans, Diana; Kolberg, Karen - ISBN 10: 0915811995 - ISBN 13: ... Kappa alpha psi scroller manual pdf: Fill out & sign online Edit, sign, and share kappa alpha psi scroller manual pdf online. No need to install software, just go to DocHub, and sign up instantly and for free. Kappa Alpha Psi Scroller Manual 1946 Phi Nu Pi ... This primer for the pledge offers history, exercises, and a test on the pledge's knowledge. This contains information not found in ANY of the history book ... The Scroller's Club Manual by Ricky of Shambala, via Flickr Jun 1, 2012 — Jun 2, 2012 - The Scroller's Club Manual by Ricky of Shambala, via Flickr. Winter Issue - National Founders Day The fraternity

originally published "The Scroller of Kappa Alpha Psi Fraternity, Inc. ... Scroller Club Manual. This manual was a guide which provided Scrollers ... The Scroller's Club Manual This book served as a guide for the pledging activities involved in preparing for initiation into Kappa Alpha Psi. Scrollers Club; Kappa Alpha PSI Fraternity Scrollers Club; Kappa Alpha PSI Fraternity ; T F P ; NYPL Catalog. This catalog provides online access to our holdings. Cataloging of the collection is ongoing ... 1964 SCROLLER CLUB HANDBOOK OF KAPPA ALPHA ... THE SCROLLER OF KAPPA ALPHA PSI edited by I W E Taylor, softbound, 108 pps., 6" by 9" cover, contents complete and binding good. Epub free Kappa alpha psi scrollers club manual (2023) Jun 9, 2023 — manual. Epub free Kappa alpha psi scrollers club manual (2023). The Scroller of Kappa Alpha Psi Fraternity, Inc Black Greek 101 Steppin' on ... Hymn Flashcards We'll keep thy faith and always will remember thee, dear scrollers club of noble Kappa Alpha Psi. ... KAPSI Study Guide. 138 terms. Profile Picture.