

Pontiac Montana 2005-2009 Workshop Manual

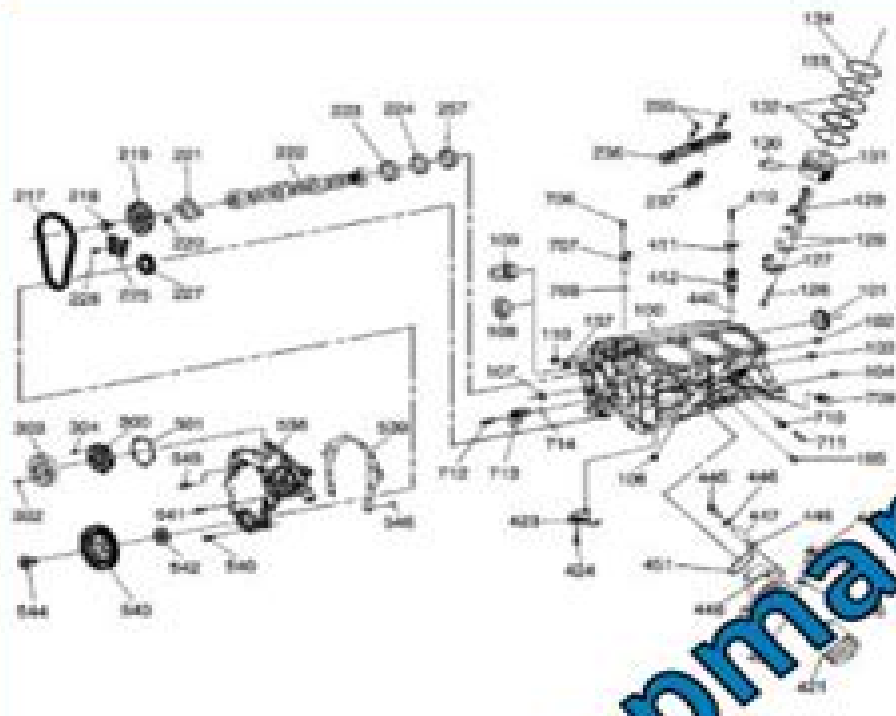


Fig. 3: Identifying Engine Block & Component
Courtesy of GENERAL MOTORS CORP.

Callouts For Fig. 3

Callout	Component Name
100	Engine Block
101	Camshaft Oil Sealing Hole Plug
102	Engine Block Oil Gallery Plug Assembly - Rear
103	Engine Block Oil Gallery Plug Assembly - Rear
104	Division Locating Pin
105	Engine Block Coolant Drain Hole Plug
106	Oil Filter Bypass Hole Plug Assembly
107	Engine Block Oil Gallery Plug Assembly - Front
108	Engine Block Heater Plug

Tighten: Tighten the bolts to 58 N·m (43 lb-ft).

Use the utility stand in order to lower the engine.

**PDF
Download**

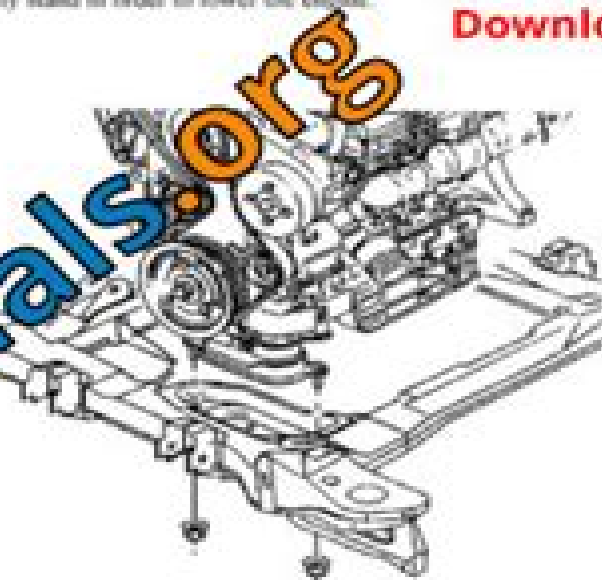


Fig. 31: Identifying Engine Mount Lower Nuts
Courtesy of GENERAL MOTORS CORP.

Install the engine mount lower nuts.

Tighten: Tighten the nuts to 47 N·m (35 lb-ft).

Install the right engine splash shield. Refer to **Splash Shield Replacement - Engine in Body Front End**.

Install the right front wheel and tire. Refer to **Tire and Wheel Removal and Installation**.

Connect the catalytic converter pipe to the engine exhaust manifold. Refer to **Catalytic Converter Replacement in Engine Exhaust**.

Lower the vehicle.

Pontiac Montana Repair Manual Horn

S Marginson



Pontiac Montana Repair Manual Horn:

Cars & Parts ,1979 **Horseless Carriage Club Gazette** ,1962 *Horseless Carriage Gazette* ,1965 The Antique Automobile ,1964 Includes a tenth anniversary issue dated Nov 1945 The AOPA Pilot ,1969 Popular Mechanics ,1942-06 Popular Mechanics inspires instructs and influences readers to help them master the modern world Whether it s practical DIY home improvement tips gadgets and digital technology information on the newest cars or the latest breakthroughs in science PM is the ultimate guide to our high tech lifestyle *Popular Mechanics* ,1946-01 Popular Mechanics inspires instructs and influences readers to help them master the modern world Whether it s practical DIY home improvement tips gadgets and digital technology information on the newest cars or the latest breakthroughs in science PM is the ultimate guide to our high tech lifestyle The American Contractor ,1918 *Kimball's Dairy Farmer* ,1913 *Sports Cars Illustrated* ,1960 *Popular Mechanics Magazine* ,1942 Prairie Farmer ,1947 *AB Bookman's Weekly* ,1999

Theatre Organ ,1986 Sports Afield ,1955 **Chevrolet Venture, Oldsmobile Silhouette, Pontiac Trans Sport and Montana Automotive Repair Manual** Bob Henderson,John Harold Haynes,2001 *Service Manual 2003 Venture, Montana, Silhouette* ,2002 Pontiac Fiero, 1984-1988 John Haynes,1988-01-25 Haynes disassembles every subject vehicle and documents every step with thorough instructions and clear photos Haynes repair manuals are used by the pros but written for the do it yourselfer Service Manual 2002 Venture, Montana, Silhouette ,2001 **Pontiac G6 2005 thru 2009** ,2009-10-01 Haynes offers the best coverage for cars trucks vans SUVs and motorcycles on the market today Each manual contains easy to follow step by step instructions linked to hundreds of photographs and illustrations Included in every manual troubleshooting section to help identify specific problems tips that give valuable short cuts to make the job easier and eliminate the need for special tools notes cautions and warnings for the home mechanic color spark plug diagnosis and an easy to use index

Embark on a breathtaking journey through nature and adventure with Explore with is mesmerizing ebook, **Pontiac Montana Repair Manual Horn** . This immersive experience, available for download in a PDF format (*), transports you to the heart of natural marvels and thrilling escapades. Download now and let the adventure begin!

https://crm.avenza.com/public/publication/Documents/Operators_Manual_Atlas_Copco_Sb_200_Breaker.pdf

Table of Contents Pontiac Montana Repair Manual Horn

1. Understanding the eBook Pontiac Montana Repair Manual Horn
 - The Rise of Digital Reading Pontiac Montana Repair Manual Horn
 - Advantages of eBooks Over Traditional Books
2. Identifying Pontiac Montana Repair Manual Horn
 - Exploring Different Genres
 - Considering Fiction vs. Non-Fiction
 - Determining Your Reading Goals
3. Choosing the Right eBook Platform
 - Popular eBook Platforms
 - Features to Look for in an Pontiac Montana Repair Manual Horn
 - User-Friendly Interface
4. Exploring eBook Recommendations from Pontiac Montana Repair Manual Horn
 - Personalized Recommendations
 - Pontiac Montana Repair Manual Horn User Reviews and Ratings
 - Pontiac Montana Repair Manual Horn and Bestseller Lists
5. Accessing Pontiac Montana Repair Manual Horn Free and Paid eBooks
 - Pontiac Montana Repair Manual Horn Public Domain eBooks
 - Pontiac Montana Repair Manual Horn eBook Subscription Services
 - Pontiac Montana Repair Manual Horn Budget-Friendly Options
6. Navigating Pontiac Montana Repair Manual Horn eBook Formats

- ePub, PDF, MOBI, and More
 - Pontiac Montana Repair Manual Horn Compatibility with Devices
 - Pontiac Montana Repair Manual Horn Enhanced eBook Features
7. Enhancing Your Reading Experience
 - Adjustable Fonts and Text Sizes of Pontiac Montana Repair Manual Horn
 - Highlighting and Note-Taking Pontiac Montana Repair Manual Horn
 - Interactive Elements Pontiac Montana Repair Manual Horn
 8. Staying Engaged with Pontiac Montana Repair Manual Horn
 - Joining Online Reading Communities
 - Participating in Virtual Book Clubs
 - Following Authors and Publishers Pontiac Montana Repair Manual Horn
 9. Balancing eBooks and Physical Books Pontiac Montana Repair Manual Horn
 - Benefits of a Digital Library
 - Creating a Diverse Reading Collection Pontiac Montana Repair Manual Horn
 10. Overcoming Reading Challenges
 - Dealing with Digital Eye Strain
 - Minimizing Distractions
 - Managing Screen Time
 11. Cultivating a Reading Routine Pontiac Montana Repair Manual Horn
 - Setting Reading Goals Pontiac Montana Repair Manual Horn
 - Carving Out Dedicated Reading Time
 12. Sourcing Reliable Information of Pontiac Montana Repair Manual Horn
 - Fact-Checking eBook Content of Pontiac Montana Repair Manual Horn
 - Distinguishing Credible Sources
 13. Promoting Lifelong Learning
 - Utilizing eBooks for Skill Development
 - Exploring Educational eBooks
 14. Embracing eBook Trends
 - Integration of Multimedia Elements
 - Interactive and Gamified eBooks

Pontiac Montana Repair Manual Horn Introduction

In today's digital age, the availability of Pontiac Montana Repair Manual Horn books and manuals for download has revolutionized the way we access information. Gone are the days of physically flipping through pages and carrying heavy textbooks or manuals. With just a few clicks, we can now access a wealth of knowledge from the comfort of our own homes or on the go. This article will explore the advantages of Pontiac Montana Repair Manual Horn books and manuals for download, along with some popular platforms that offer these resources. One of the significant advantages of Pontiac Montana Repair Manual Horn books and manuals for download is the cost-saving aspect. Traditional books and manuals can be costly, especially if you need to purchase several of them for educational or professional purposes. By accessing Pontiac Montana Repair Manual Horn versions, you eliminate the need to spend money on physical copies. This not only saves you money but also reduces the environmental impact associated with book production and transportation. Furthermore, Pontiac Montana Repair Manual Horn books and manuals for download are incredibly convenient. With just a computer or smartphone and an internet connection, you can access a vast library of resources on any subject imaginable. Whether you're a student looking for textbooks, a professional seeking industry-specific manuals, or someone interested in self-improvement, these digital resources provide an efficient and accessible means of acquiring knowledge. Moreover, PDF books and manuals offer a range of benefits compared to other digital formats. PDF files are designed to retain their formatting regardless of the device used to open them. This ensures that the content appears exactly as intended by the author, with no loss of formatting or missing graphics. Additionally, PDF files can be easily annotated, bookmarked, and searched for specific terms, making them highly practical for studying or referencing. When it comes to accessing Pontiac Montana Repair Manual Horn books and manuals, several platforms offer an extensive collection of resources. One such platform is Project Gutenberg, a nonprofit organization that provides over 60,000 free eBooks. These books are primarily in the public domain, meaning they can be freely distributed and downloaded. Project Gutenberg offers a wide range of classic literature, making it an excellent resource for literature enthusiasts. Another popular platform for Pontiac Montana Repair Manual Horn books and manuals is Open Library. Open Library is an initiative of the Internet Archive, a non-profit organization dedicated to digitizing cultural artifacts and making them accessible to the public. Open Library hosts millions of books, including both public domain works and contemporary titles. It also allows users to borrow digital copies of certain books for a limited period, similar to a library lending system. Additionally, many universities and educational institutions have their own digital libraries that provide free access to PDF books and manuals. These libraries often offer academic texts, research papers, and technical manuals, making them invaluable resources for students and researchers. Some notable examples include MIT OpenCourseWare, which offers free access to course materials from the Massachusetts Institute of Technology, and the Digital Public Library of America, which provides a vast collection of digitized books and historical documents. In conclusion, Pontiac Montana Repair

Manual Horn books and manuals for download have transformed the way we access information. They provide a cost-effective and convenient means of acquiring knowledge, offering the ability to access a vast library of resources at our fingertips. With platforms like Project Gutenberg, Open Library, and various digital libraries offered by educational institutions, we have access to an ever-expanding collection of books and manuals. Whether for educational, professional, or personal purposes, these digital resources serve as valuable tools for continuous learning and self-improvement. So why not take advantage of the vast world of Pontiac Montana Repair Manual Horn books and manuals for download and embark on your journey of knowledge?

FAQs About Pontiac Montana Repair Manual Horn Books

What is a Pontiac Montana Repair Manual Horn PDF? A PDF (Portable Document Format) is a file format developed by Adobe that preserves the layout and formatting of a document, regardless of the software, hardware, or operating system used to view or print it. **How do I create a Pontiac Montana Repair Manual Horn PDF?** There are several ways to create a PDF: Use software like Adobe Acrobat, Microsoft Word, or Google Docs, which often have built-in PDF creation tools. Print to PDF: Many applications and operating systems have a "Print to PDF" option that allows you to save a document as a PDF file instead of printing it on paper. Online converters: There are various online tools that can convert different file types to PDF. **How do I edit a Pontiac Montana Repair Manual Horn PDF?** Editing a PDF can be done with software like Adobe Acrobat, which allows direct editing of text, images, and other elements within the PDF. Some free tools, like PDFescape or Smallpdf, also offer basic editing capabilities. **How do I convert a Pontiac Montana Repair Manual Horn PDF to another file format?** There are multiple ways to convert a PDF to another format: Use online converters like Smallpdf, Zamzar, or Adobe Acrobat's export feature to convert PDFs to formats like Word, Excel, JPEG, etc. Software like Adobe Acrobat, Microsoft Word, or other PDF editors may have options to export or save PDFs in different formats. **How do I password-protect a Pontiac Montana Repair Manual Horn PDF?** Most PDF editing software allows you to add password protection. In Adobe Acrobat, for instance, you can go to "File" -> "Properties" -> "Security" to set a password to restrict access or editing capabilities. Are there any free alternatives to Adobe Acrobat for working with PDFs? Yes, there are many free alternatives for working with PDFs, such as: LibreOffice: Offers PDF editing features. PDFsam: Allows splitting, merging, and editing PDFs. Foxit Reader: Provides basic PDF viewing and editing capabilities. How do I compress a PDF file? You can use online tools like Smallpdf, ILovePDF, or desktop software like Adobe Acrobat to compress PDF files without significant quality loss. Compression reduces the file size, making it easier to share and download. Can I fill out forms in a PDF file? Yes, most PDF viewers/editors like Adobe Acrobat, Preview (on Mac), or various online tools allow you to fill out

forms in PDF files by selecting text fields and entering information. Are there any restrictions when working with PDFs? Some PDFs might have restrictions set by their creator, such as password protection, editing restrictions, or print restrictions. Breaking these restrictions might require specific software or tools, which may or may not be legal depending on the circumstances and local laws.

Find Pontiac Montana Repair Manual Horn :

[operators manual atlas copco sb 200 breaker](#)

[optimax 125-user manual](#)

operations management solution manual 4shared

[operators manual lg kp500](#)

[operating procedures manual sample](#)

[operating manual backhoe fermec lines](#)

[oracle business intelligence foundation essentials exam guide](#)

~~[oracle database sql expert guide](#)~~

[operators manual for toyota forklift](#)

operating system william stallings solution manual

[operator manual for raymond](#)

~~[options futures and other derivatives 7th edition solution manual](#)~~

~~[optimus v owners manual](#)~~

optical fiber communication exam solutions

[oracle database 11g sql fundamentals volume student guide](#)

Pontiac Montana Repair Manual Horn :

prendre soin de ses plantes d'intérieur world health - Jun 13 2023

web prendre soin de ses plantes d'intérieur getting the books prendre soin de ses plantes d'intérieur now is not type of challenging means you could not forlorn going subsequent to books deposit or library or borrowing from your links to door them this is an completely easy means to specifically get lead by on line

prendre soin de ses plantes d'intérieur botanic - Mar 30 2022

web prendre soin de ses plantes d'intérieur si vous avez choisi la gaieté des plantes fleuries ou l'élégance des plantes vertes

pour donner vie et couleur à votre intérieur cet article est pour vous chacune de ces plantes d intérieur ont des exigences particulières qu il convient de connaître pour garantir leur bonne tenue

prendre soin de ses plantes d inta c rieur app oaklandlibrary - Aug 03 2022

web prendre soin de ses plantes d intérieur ma bible de la psychologie positive la vérité toute moche journal d un dégonflé tome 5 tous au jardin des nouvelles de jeanne terra nullius prendre soin de ses plantes avec les huiles essentielles À qui mieux mieux quatre soeurs enquêtent les recettes de bonne femme les esprits blancs

prendre soin de ses plantes d inta c rieur honore de balzac - Jul 14 2023

web aug 15 2023 près de 1 500 photos et un nouveau concept d identification la reconnaissance se fait grâce à des tableaux présentant la photographie du poisson de profil plus de 600 espèces de poissons d eau douce d eau de mer et d eau saumâtre près de 100 espèces de plantes et plus de 50 espèces d invertébrés coraux mollusques

25 conseils de pro pour prendre soin de ses plantes d intérieur - Feb 09 2023

web mar 15 2021 les plantes vertes réclament un peu d entretien en fonction de l environnement dans lequel elles se trouvent rempotage arrosage ou taille chaque plante nécessite de l attention au quotidien

prendre soin de ses plantes d inta c rieur sheetodo com - Dec 27 2021

web prendre soin de ses plantes d inta c rieur this is likewise one of the factors by obtaining the soft documents of this prendre soin de ses plantes d inta c rieur by online you might not require more period to spend to go to the books initiation as capably as search for them in some cases you likewise realize not discover the publication

prendre soin de ses plantes d inta c rieur 2022 - Oct 05 2022

web utilisation du foin rotation des cultures associations de plantes introduction d auxiliaires des conseils et astuces pour faire pousser sans efforts de mini potagers sur balcons et terrasses

prendre soin de ses plantes d inta c rieur skillience com - Feb 26 2022

web insight of this prendre soin de ses plantes d inta c rieur can be taken as with ease as picked to act grand dictionnaire universel du xixe siecle francais a z 1805 76 pierre larousse 1869 grand dictionnaire universel a z 1865 76 pierre larousse 1866 general conditions applicable to loan and guarantee agreements world bank 1995

bien soigner ses plantes d inta c rieur pdf - Aug 15 2023

web etudes de théologie de philosophie et d histoire soigner ses plantes de jardin mar 06 2023 certaines plantes de votre jardin se portent mal mais vous ignorez de quoi elles souffrent faites votre diagnostic grâce à ce petit guide

prendre soin de ses plantes d inta c rieur download only - Jun 01 2022

web recognizing the pretentiousness ways to acquire this books prendre soin de ses plantes d inta c rieur is additionally useful you have remained in right site to begin getting this info acquire the prendre soin de ses plantes d inta c rieur belong

to that we pay for here and check out the link you could buy guide prendre soin de ses plantes d

prendre soin de ses plantes d intérieur by daniel lys - Mar 10 2023

web de vos plantes d intérieur quels que soient leur origine et leur type grâce à des astuces naturelles et des conseils bio 100 fiches de plantes vous sont proposées avec les soins à apporter le type de multiplication et des conseils

comment prendre soin de ses plantes d intérieur youtube - Apr 11 2023

web plantesinterieur plante intérieur balcon pot on vous propose des idées et conseils pour embellir votre jardin et cultiver votre potager

prendre soin de ses plantes d intérieur by daniel lys - Apr 30 2022

web cet ouvrage très complet vous aidera à prendre soin de vos plantes d intérieur quels que soient leur origine et leur type grâce à des astuces naturelles et des conseils bio 100 fiches de plantes vous sont

prendre soin de ses plantes d inta c rieur copy - Jan 28 2022

web comment conserver la bonne santé de vos plantes ce guide traite de chaque type de plantation vous le consulterez donc pour savoir comment prendre soin de vos plantes d intérieur aussi bien que de votre jardin d ornement de votre potager ou de votre verger grâce à ses fiches illustrées recensant près de 200

9 conseils pour prendre soin de ses plantes d intérieur en hiver - Jan 08 2023

web nov 24 2020 4 9 aérer son intérieur bien qu'il soit indispensable d'aérer son intérieur en hiver les plantes vertes peuvent ne pas apprécier les courants d'air déplacez donc les plantes d'intérieur le temps d'ouvrir les fenêtres évitez de les placer près de la porte d'entrée getty images

bien soigner ses plantes d inta c rieur pdf ftp popcake - Sep 04 2022

web bien soigner ses plantes d inta c rieur 5 5 mai 2015 près du barrage de guerlédan en bretagne la famille coutard accompagne le grand père vers sa dernière demeure au fond du lac asséché pour la cinquième fois de son histoire ophélie découvre les vestiges d'une maison celle d'eulalie son aïeule la dernière éclusière les

bien soigner ses plantes d inta c rieur pdf - Dec 07 2022

web ouvrage très complet vous aidera à prendre soin de vos plantes d intérieur quels que soient leur origine et leur type grâce à des astuces naturelles et des conseils bio 100 fiches de plantes vous sont

prendre soin de ses plantes d inta c rieur pdf pdf devy ortax - Jul 02 2022

web introduction prendre soin de ses plantes d inta c rieur pdf pdf dictionnaire national ou dictionnaire universel de la langue française louis nicolas bescherelle 1862

3 manières de prendre soin de ses plantes wikihow - May 12 2023

web les plantes ayant besoin de soleil partiel devraient bénéficier de 2 à 3 heures d'exposition directe à la lumière par jour

les plantes ayant besoin d ombre devraient bénéficier de 4 à 6 heures d exposition directe à la lumière par jour 2 arrosez régulièrement vos plantes

[un guide pour prendre soin de ses plantes d intérieur ikea](#) - Nov 06 2022

web nos conseils pour prendre soin de vos plantes vous n avez pas encore trouvé comment garder vos plantes d intérieur en vie dans ce guide pour débutants concocté par une propriétaire qui commence tout juste à cultiver sa main verte vous trouverez des conseils d arrosage d emplacement et de multiplication attention ça va pousser

awaken the giant within chinese edition amazon com - Mar 27 2022

web jan 1 2011 fast shipping great translation great read reviewed in the united states on march 19 2015 verified purchase i ordered my father a copy of the fantastic book awaken the giant within by tony robbins and this book did a excellent job with the translation of it into mandarin of it

awaken the giant within how to take immediate control of - Apr 08 2023

web awaken the giant within how to take immediate control of your mental emotional physical and fina how to take immediate control of your mental emotional physical financial destiny robbins tony amazon com au books

awaken the giant within how to take immediate cont - Oct 02 2022

web awaken the giant within how to take immediate cont 819 mental triggers to take immediate control of your mental emotional physical and financial jul 16 2023 do you need a miracle yes this is possible this book is specially configured order of words for you to take immediate control of your mental emotional physical and financial

awaken the giant within how to take immediate control of - Feb 23 2022

web dec 11 2012 awaken the giant within how to take immediate control of your mental emotional physical and financial life kindle edition by robbins anthony download it once and read it on your kindle device pc phones or tablets

awaken the giant within how to take immediate control of your - Mar 07 2023

web nov 1 2007 awaken the giant within how to take immediate control of your mental emotional physical and financial tony robbins simon and schuster nov 1 2007 self help 544 pages wake up and

awaken the giant within how to take immediate control of - Jun 29 2022

web awaken the giant within how to take immediate control of your mental emotional physical financial destiny new york simon schuster chicago turabian humanities citation style guide

awaken the giant within how to take immediate control of your - May 09 2023

web awaken the giant within how to take immediate control of your mental anthony robbins google books anthony robbins the nation s leader in the science of peak performance shows you

[awaken the giant within how to take immediate control of your](#) - Jul 31 2022

web amazon com awaken the giant within how to take immediate control of your mental emotional physical and financial destiny japanese edition 9784837957485 books

awaken the giant within how to take immediate control of - Oct 14 2023

web awaken the giant within how to take immediate control of your mental emotional physical and financial destiny how to take immediate control of your mental physical and emotional self robbins tony amazon sg books

awaken the giant within how to take immediate control of your - Jan 05 2023

web nov 1 1992 the acknowledged expert in the psychology of change anthony robbins provides a step by step program teaching the fundamental lessons of self mastery that will enable you to discover your true purpose take control of your life and harness the forces that shape your destiny product details about the author read an excerpt table of

awaken the giant within how to take immediate control of your - Jul 11 2023

web awaken the giant within how to take immediate control of your mental emotional physical and financial life robbins anthony amazon sg books

awaken the giant within how to take by robbins tony - Jun 10 2023

web nov 1 1992 awaken the giant within how to take immediate control of your mental emotional physical and financial destiny paperback november 1 1992 by tony robbins author

awaken the giant within how to take immediate control of - Feb 06 2023

web awaken the giant within how to take immediate control of your mental emotional physical and financial life it was a movement of transformation of taking immediate massive action toward your goals of mastering your health emotions and finances and of creating and growing the ultimate relationship

awaken the giant within how to take immediate control of your - Sep 13 2023

web details sold by amazon sg roll over image to zoom in awaken the giant within how to take immediate control of your mental emotional physical and financial life paperback 2 january 2001 by tony robbins author 4 6 6 374 ratings

awaken the giant within apk for android download - Apr 27 2022

web sep 21 2021 awaken the giant within 3 3 apk download for android how to take immediate control of your mental physical and financial destiny

awaken the giant within how to take immediate control - Aug 12 2023

web jan 1 1992 69 599 ratings 2 120 reviews this is an alternate cover edition isbn 13 9780743409384 brilliantly repackaged with great modern covers awaken the giant within shows you how to take control of your mental

awaken the giant within how to take immediate control of your - Nov 03 2022

web nov 15 1991 abstract with the growing demand for holistic therapy interest in the psycho spiritual dimension as it

relates to clients concerns has increased within the last decades many crises that lead expand

pdf awaken the giant within how to take immediate control - Dec 04 2022

web awaken the giant within how to take immediate control of your mental emotional physical and financial destiny aziz nedjari 1992 nothing can resist the human will that will stake even its very existence on its stated purpose benjamin disraeli

awaken the giant within how to take immediate control - May 29 2022

web may 8 2023 download the 500 mega box set summary collection go bestbookbits com 150 download this free pdf summary below go bestbookbits com freepd

awaken the giant within how to take immediate control of your - Sep 01 2022

web awaken the giant within how to take immediate control of your mental emotional physical financial destiny by robbins anthony publication date 1992 topics success publisher new york simon schuster collection printdisabled

internetarchivebooks americana contributor internet archive language english

the mersey orphan a gripping family saga with a twist riley - Dec 07 2022

web compre online the orphan daughter a gripping family saga with a twist de riley sheila na amazon frete grÁtis em milhares de produtos com o amazon prime

the mersey orphan a gripping family saga with a - Apr 11 2023

web the mersey orphan a gripping family saga with a twist reckoner s row book 1 ebook riley sheila amazon com au books

the orphan daughter a gripping family saga with a twist - May 12 2023

web find helpful customer reviews and review ratings for the mersey orphan a gripping family saga with a twist reckoner s row book 1 at amazon com read honest and

the orphan girl a black country novel book 4 - Apr 30 2022

web find helpful customer reviews and review ratings for the mersey orphan a gripping family saga with a twist reckoner s row book 1 at amazon com read honest and

the mersey orphan a gripping family saga with a twist riley - Dec 27 2021

the mersey orphan a gripping family saga with a twist - Jan 08 2023

web find helpful customer reviews and review ratings for the mersey orphan a gripping family saga with a twist at amazon com read honest and unbiased product reviews

amazon co uk customer reviews the mersey orphan a - Mar 10 2023

web the mersey orphan a gripping family saga with a twist riley sheila amazon com au books

the mersey orphan a gripping family saga with a twist - Jun 13 2023

web the orphan daughter a gripping family saga with a twist reckoner s row 1 riley sheila amazon de books
[loading interface goodreads](#) - Feb 26 2022

the orphan daughter a gripping family saga with a twist - Sep 04 2022

web right here we have countless book the orphan daughter a gripping family saga with a and collections to check out we additionally find the money for variant types and as

the mersey orphan a gripping family saga with a twist - Jan 28 2022

the orphan daughter a gripping family saga with a patricia - Jun 01 2022

web the mersey orphan a gripping family saga with a twist riley sheila sidaway marlene amazon com au books

the orphan daughter a gripping family saga with a arleta - Mar 30 2022

[the mersey orphan a gripping family saga with a](#) - Feb 09 2023

web amazon in buy the mersey orphan a gripping family saga with a twist reckoner s row 1 book online at best prices in india on amazon in read the mersey orphan a

amazon com au customer reviews the mersey orphan a - Oct 05 2022

web books in the manner of this one merely said the the orphan daughter a gripping family saga with a is universally compatible considering any devices to read the orphan of

[the mersey orphan a gripping family saga with a twist](#) - Jul 14 2023

web winter liverpool 1947 evie kilgaren is a fighter abandoned by her mother and with her father long gone she is left to raise her siblings in dockside liverpool as they battle

the orphan daughter a gripping family saga with a download - Aug 03 2022

web discover and share books you love on goodreads

the family trap a gripping psychological thriller with - Jul 02 2022

web buy the mersey orphan a gripping family saga with a twist reckoner s row 1 unabridged by riley sheila sidaway marlene isbn 9781838893262 from amazon s

amazon com au customer reviews the mersey orphan a - Nov 25 2021

buy the mersey orphan a gripping family saga with a twist - Nov 06 2022

web from a gifted young writer the story of his quest to reclaim his family s apartment building in poland and of the

astonishing entanglement with nazi treasure hunters that follows

the mersey orphan a gripping family saga with a twist - Aug 15 2023

web the mersey orphan a gripping family saga with a twist reckoner s row 1 paperback 5 sept 2019 winter liverpool 1947

evie kilgaren is a fighter abandoned by her