

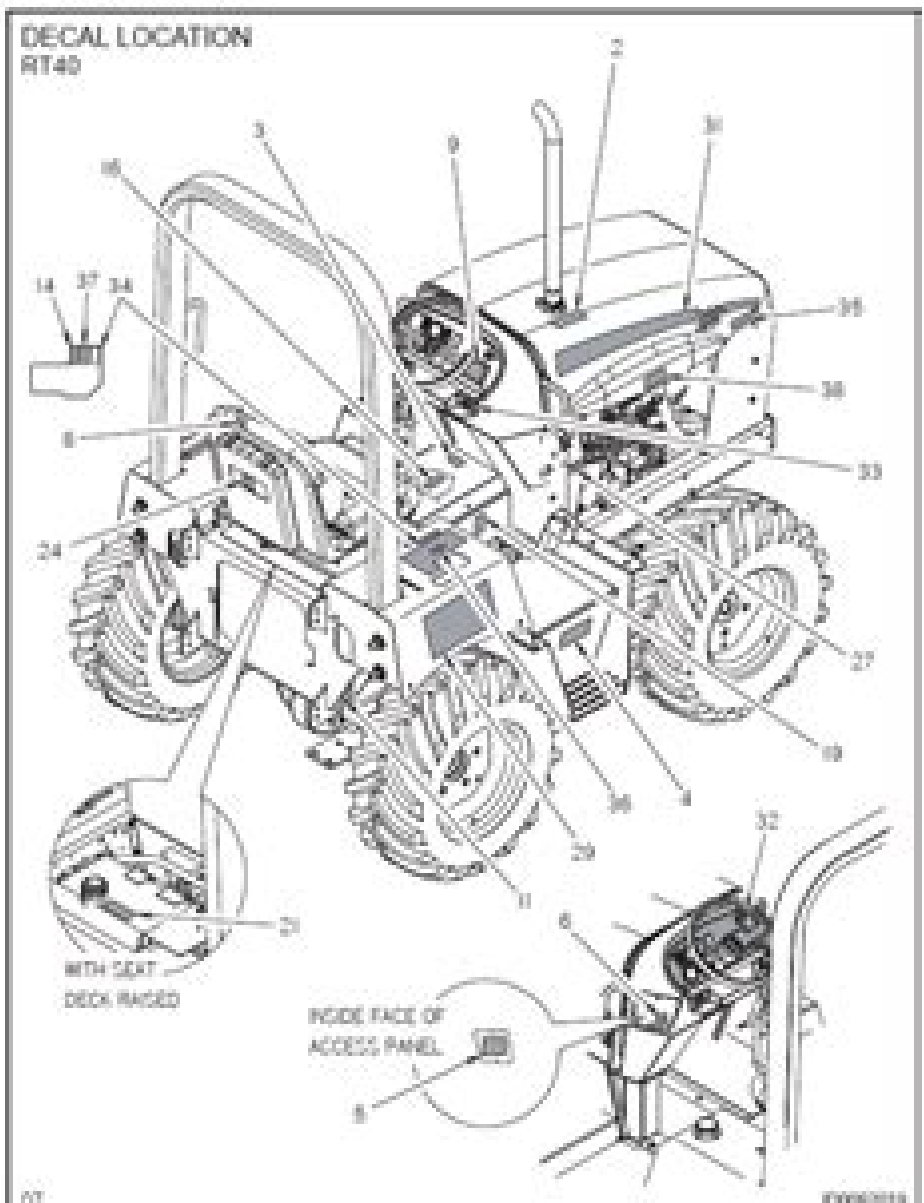
Page Thumbnails

9

10

11

12



Rt40 Ditch Witch Parts Manual

S Nieto



Rt40 Ditch Witch Parts Manual:

Reviewing **Rt40 Ditch Witch Parts Manual**: Unlocking the Spellbinding Force of Linguistics

In a fast-paced world fueled by information and interconnectivity, the spellbinding force of linguistics has acquired newfound prominence. Its capacity to evoke emotions, stimulate contemplation, and stimulate metamorphosis is actually astonishing. Within the pages of "**Rt40 Ditch Witch Parts Manual**," an enthralling opus penned by a highly acclaimed wordsmith, readers set about an immersive expedition to unravel the intricate significance of language and its indelible imprint on our lives. Throughout this assessment, we shall delve in to the book is central motifs, appraise its distinctive narrative style, and gauge its overarching influence on the minds of its readers.

<https://crm.avenza.com/book/browse/fetch.php/separate%20peace%20mcgraw%20hill%20study%20guide%20answers.pdf>

Table of Contents Rt40 Ditch Witch Parts Manual

1. Understanding the eBook Rt40 Ditch Witch Parts Manual
 - The Rise of Digital Reading Rt40 Ditch Witch Parts Manual
 - Advantages of eBooks Over Traditional Books
2. Identifying Rt40 Ditch Witch Parts Manual
 - Exploring Different Genres
 - Considering Fiction vs. Non-Fiction
 - Determining Your Reading Goals
3. Choosing the Right eBook Platform
 - Popular eBook Platforms
 - Features to Look for in an Rt40 Ditch Witch Parts Manual
 - User-Friendly Interface
4. Exploring eBook Recommendations from Rt40 Ditch Witch Parts Manual
 - Personalized Recommendations
 - Rt40 Ditch Witch Parts Manual User Reviews and Ratings
 - Rt40 Ditch Witch Parts Manual and Bestseller Lists

5. Accessing Rt40 Ditch Witch Parts Manual Free and Paid eBooks
 - Rt40 Ditch Witch Parts Manual Public Domain eBooks
 - Rt40 Ditch Witch Parts Manual eBook Subscription Services
 - Rt40 Ditch Witch Parts Manual Budget-Friendly Options
6. Navigating Rt40 Ditch Witch Parts Manual eBook Formats
 - ePub, PDF, MOBI, and More
 - Rt40 Ditch Witch Parts Manual Compatibility with Devices
 - Rt40 Ditch Witch Parts Manual Enhanced eBook Features
7. Enhancing Your Reading Experience
 - Adjustable Fonts and Text Sizes of Rt40 Ditch Witch Parts Manual
 - Highlighting and Note-Taking Rt40 Ditch Witch Parts Manual
 - Interactive Elements Rt40 Ditch Witch Parts Manual
8. Staying Engaged with Rt40 Ditch Witch Parts Manual
 - Joining Online Reading Communities
 - Participating in Virtual Book Clubs
 - Following Authors and Publishers Rt40 Ditch Witch Parts Manual
9. Balancing eBooks and Physical Books Rt40 Ditch Witch Parts Manual
 - Benefits of a Digital Library
 - Creating a Diverse Reading Collection Rt40 Ditch Witch Parts Manual
10. Overcoming Reading Challenges
 - Dealing with Digital Eye Strain
 - Minimizing Distractions
 - Managing Screen Time
11. Cultivating a Reading Routine Rt40 Ditch Witch Parts Manual
 - Setting Reading Goals Rt40 Ditch Witch Parts Manual
 - Carving Out Dedicated Reading Time
12. Sourcing Reliable Information of Rt40 Ditch Witch Parts Manual
 - Fact-Checking eBook Content of Rt40 Ditch Witch Parts Manual
 - Distinguishing Credible Sources
13. Promoting Lifelong Learning

- Utilizing eBooks for Skill Development
 - Exploring Educational eBooks
14. Embracing eBook Trends
- Integration of Multimedia Elements
 - Interactive and Gamified eBooks

Rt40 Ditch Witch Parts Manual Introduction

Rt40 Ditch Witch Parts Manual Offers over 60,000 free eBooks, including many classics that are in the public domain. Open Library: Provides access to over 1 million free eBooks, including classic literature and contemporary works. Rt40 Ditch Witch Parts Manual Offers a vast collection of books, some of which are available for free as PDF downloads, particularly older books in the public domain. Rt40 Ditch Witch Parts Manual : This website hosts a vast collection of scientific articles, books, and textbooks. While it operates in a legal gray area due to copyright issues, its a popular resource for finding various publications. Internet Archive for Rt40 Ditch Witch Parts Manual : Has an extensive collection of digital content, including books, articles, videos, and more. It has a massive library of free downloadable books. Free-eBooks Rt40 Ditch Witch Parts Manual Offers a diverse range of free eBooks across various genres. Rt40 Ditch Witch Parts Manual Focuses mainly on educational books, textbooks, and business books. It offers free PDF downloads for educational purposes. Rt40 Ditch Witch Parts Manual Provides a large selection of free eBooks in different genres, which are available for download in various formats, including PDF. Finding specific Rt40 Ditch Witch Parts Manual, especially related to Rt40 Ditch Witch Parts Manual, might be challenging as theyre often artistic creations rather than practical blueprints. However, you can explore the following steps to search for or create your own Online Searches: Look for websites, forums, or blogs dedicated to Rt40 Ditch Witch Parts Manual, Sometimes enthusiasts share their designs or concepts in PDF format. Books and Magazines Some Rt40 Ditch Witch Parts Manual books or magazines might include. Look for these in online stores or libraries. Remember that while Rt40 Ditch Witch Parts Manual, sharing copyrighted material without permission is not legal. Always ensure youre either creating your own or obtaining them from legitimate sources that allow sharing and downloading. Library Check if your local library offers eBook lending services. Many libraries have digital catalogs where you can borrow Rt40 Ditch Witch Parts Manual eBooks for free, including popular titles. Online Retailers: Websites like Amazon, Google Books, or Apple Books often sell eBooks. Sometimes, authors or publishers offer promotions or free periods for certain books. Authors Website Occasionally, authors provide excerpts or short stories for free on their websites. While this might not be the Rt40 Ditch Witch Parts Manual full book , it can give you a taste of the authors writing style. Subscription Services Platforms like Kindle Unlimited or Scribd offer subscription-based access to a wide range of Rt40 Ditch Witch Parts Manual eBooks, including

some popular titles.

FAQs About Rt40 Ditch Witch Parts Manual Books

1. Where can I buy Rt40 Ditch Witch Parts Manual books? Bookstores: Physical bookstores like Barnes & Noble, Waterstones, and independent local stores. Online Retailers: Amazon, Book Depository, and various online bookstores offer a wide range of books in physical and digital formats.
2. What are the different book formats available? Hardcover: Sturdy and durable, usually more expensive. Paperback: Cheaper, lighter, and more portable than hardcovers. E-books: Digital books available for e-readers like Kindle or software like Apple Books, Kindle, and Google Play Books.
3. How do I choose a Rt40 Ditch Witch Parts Manual book to read? Genres: Consider the genre you enjoy (fiction, non-fiction, mystery, sci-fi, etc.). Recommendations: Ask friends, join book clubs, or explore online reviews and recommendations. Author: If you like a particular author, you might enjoy more of their work.
4. How do I take care of Rt40 Ditch Witch Parts Manual books? Storage: Keep them away from direct sunlight and in a dry environment. Handling: Avoid folding pages, use bookmarks, and handle them with clean hands. Cleaning: Gently dust the covers and pages occasionally.
5. Can I borrow books without buying them? Public Libraries: Local libraries offer a wide range of books for borrowing. Book Swaps: Community book exchanges or online platforms where people exchange books.
6. How can I track my reading progress or manage my book collection? Book Tracking Apps: Goodreads, LibraryThing, and Book Catalogue are popular apps for tracking your reading progress and managing book collections. Spreadsheets: You can create your own spreadsheet to track books read, ratings, and other details.
7. What are Rt40 Ditch Witch Parts Manual audiobooks, and where can I find them? Audiobooks: Audio recordings of books, perfect for listening while commuting or multitasking. Platforms: Audible, LibriVox, and Google Play Books offer a wide selection of audiobooks.
8. How do I support authors or the book industry? Buy Books: Purchase books from authors or independent bookstores. Reviews: Leave reviews on platforms like Goodreads or Amazon. Promotion: Share your favorite books on social media or recommend them to friends.
9. Are there book clubs or reading communities I can join? Local Clubs: Check for local book clubs in libraries or community centers. Online Communities: Platforms like Goodreads have virtual book clubs and discussion groups.

10. Can I read Rt40 Ditch Witch Parts Manual books for free? Public Domain Books: Many classic books are available for free as they're in the public domain. Free E-books: Some websites offer free e-books legally, like Project Gutenberg or Open Library.

Find Rt40 Ditch Witch Parts Manual :

[separate peace mcgraw hill study guide answers](#)

[sell yourself with a sticky cv](#)

[semantics john saeed 3rd edition](#)

[sepedi grade12 exam guideline 2014](#)

[septa police study guide](#)

senuke beginners guide

september exemplar 2014 life science grade 12

semiconductor physics devices solution manual chapter 11

sentry 1330 safe

sequence organization in interaction emanuel a schegloff

senior class favorites list

[serpentine belt diagram on 2005 chrysler pacifica 3.5 liter](#)

[september mathemetic question papers](#)

senseo coffee maker cleaning instructions

[september trial exemplar life science p2 grade 12 2014](#)

Rt40 Ditch Witch Parts Manual :

solutions hayashi pdf updated 11 23 00 1 12 03 - Feb 09 2023

web view solutions hayashi pdf from eae 5841 at uni são paulo updated 11 23 00 1 12 03 answer to q7 of section 1.3 added

hayashi econometrics answers to selected review questions chapter solution complete econometrics fumio hayashi pdf

universidade federal da bahia econ eco151 normal distribution maximum likelihood estimation

econometrics solutions to analy fumio hayashi - May 12 2023

web econometrics solutions to analy fumio hayashi original title econometrics solutions to analy fumio hayashi uploaded by

piripacchio04 description solutions to analytical exe of econometrics copyright attribution non commercial by nc available

formats download as pdf txt or read online from

[solution to chapter 1 analytical exercises fc2web com](#) - Aug 15 2023

web nov 22 2003 revised dec 27 2003 hayashi econometrics solution to chapter 1 analytical exercises 1 reproducing the answer on p 84 of the book $y = \beta_0 + \beta_1 x$ by the add and subtract strategy $y = \beta_0 + \beta_1 x$

[econometrics hayashi solutions manual](#) - Jan 28 2022

web econometrics hayashi solutions manual 11 facebook link 2 apr 22 2019 04 19 collection comment 1 236 items the manual directory is a free online resource that stores pdf owner manual s for cars our community of helpers source car manual s and we index them into manufacturers models so you can easily browse and find the one you

[hayashi econometrics fc2web com](#) - Jun 13 2023

web nov 16 2010 hayashi econometrics publisher s homepage of econometrics you can download preface table of contents and chapter 1 from there datasets for econometrics

hayashieconometricssolutionsmanual full pdf old arianavara - Jun 01 2022

web hayashi s econometrics promises to be the next great synthesis of modern econometrics it introduces first year ph d students to standard graduate econometrics material from a modern perspective

hayashieconometricssolutionsmanual vault sensepost - Apr 30 2022

web this third edition updates the solutions manual for econometrics to match the fifth edition of the econometrics textbook it adds problems and solutions using latest software versions of stata and eviews special features include empirical examples using eviews and stata the book offers

hayashi econometrics solutions manual uniport edu ng - Feb 26 2022

web jul 19 2023 hayashi econometrics solutions manual 2 9 downloaded from uniport edu ng on july 19 2023 by guest modeling alone thus analysis of the true impacts requires a scalar as well as a temporal lens the studies in this handbook discuss transport infrastructure projects of varying geographic scale and describe the underlying

[solution to chapter 2 analytical exercises uw faculty web server](#) - Apr 11 2023

web nov 25 2003 revised dec 27 2003 hayashi econometrics solution to chapter 2 analytical exercises 1 for any $\epsilon > 0$ prob $z_n \leq 1/n$ as $n \rightarrow \infty$ so $\lim_{n \rightarrow \infty} z_n = 0$ on the other hand $e^{z_n} \sim 1 + z_n$ which means that $\lim_{n \rightarrow \infty} e^{z_n} = 1$ as shown in the hint $z_n \leq 1/n$

[hayashieconometricssolutionsmanual pdf atlassian eng sangoma](#) - Mar 30 2022

web student s solutions manual and supplementary materials for econometric analysis of cross section and panel data second edition cluster analysis econometrics data analysis for business economics and policy understanding consumption dynamic

economics introduction to econometrics econometrics econometrics for dummies

[hayashieconometricssolutionsmanual copy amember loops](#) - Dec 27 2021

web econometric theory and practical econometric methods the geometrical approach to least squares is emphasized as is the method of moments which is used to motivate a wide variety of estimators

econometrics researchgate - Nov 06 2022

web jan 1 2000 hayashi s econometrics promises to be the next great synthesis of modern econometrics it introduces first year ph d students to standard graduate econometrics material from a modern perspective

[fumio hayashi econometrics 2000 pdf pdf scribd](#) - Jan 08 2023

web 332369006 113421626 fumio hayashi econometrics 2000 pdf pdf free ebook download as pdf file pdf or read book online for free 5th edition solution manual advance macro economic analysis 5th edition solution manual maribel mendez 79109464 advanced macroeconomics solutions david romer

[github mutecamel hayashi answers to review questions and](#) - Jul 14 2023

web econometrics fumio hayashi solutions manual 2000 pdf pdf free download as pdf file pdf text file txt or read online for free econometrics with solutions by fumio hayashi pdf pdf scribd - Mar 10 2023

econometrics fumio hayashi solutions pdf scribd - Mar 10 2023

web nov 23 2000 econometrics fumio hayashi solutions free download as pdf file pdf text file txt or read online for free

econometrics with solutions by fumio hayashi pdf pdf scribd - Oct 05 2022

web aug 22 2023 econometrics with solutions by fumio hayashi hayashi s econometrics promises to be the next great synthesis of modern econometrics it introduces first year ph d students to standard graduate econometrics material from a modern perspective

hayashieconometricssolutionsmanual bahaa e a saleh full pdf - Jul 02 2022

web techniques of econometrics from ordinary least squares through cointegration the book is also distinctive in developing both time series and cross section analysis fully giving the reader a unified framework for understanding and integrating results econometrics has many useful features and covers all the important topics in econometrics in

[download fumio hayashi econometrics pdf scribd](#) - Aug 03 2022

web jul 9 2012 this book is designed to serve as the textbook for a first year graduate course in econometrics it has two distinguishing features first it covers a full range of techniques with the estimation method called the generalized method of moments gmm as the organizing principle

econ 7223 advanced time series econometrics iv - Sep 04 2022

web to learn various modern time series econometric methods estimation methods and related econometric theories 2 to

implement these methods to empirical dating or develop new time series econometric theories

[solution manual for econometrics by fumio hayashi r ebooks2022 reddit](#) - Dec 07 2022

web nov 19 2022 638 subscribers in the ebooks2022 community pdf ebook test bank solution manual 965074539 qq com

[solution manual for econometrics by fumio hayashi ebook345](#)

twenty thousand leagues under the sea britannica - Feb 26 2022

web twenty thousand leagues under the sea novel by jules verne first published in french as vingt mille lieues sous les mers in 1869 70 it is perhaps the most popular book of his science fiction series voyages extraordinaires 1863 1910 professor

pierre aronnax the narrator of the story boards an american frigate commissioned to

[cultural influence of jules verne wikipedia](#) - Jul 02 2022

web jules verne 1828 1905 the french writer best known for his voyages extraordinaires series has had a wide influence in both scientific and literary fields scientific influence

[who was jules verne penguin random house](#) - Dec 27 2021

web buy a mischievous boy from france with a big imagination a talented man who wrote about prehistoric beasts hot air balloon races and undersea creatures a famous author often called the father of science fiction meet the father of science fiction jule verne

[around the world in eighty days summary facts britannica](#) - Mar 30 2022

web phileas fogg fictional character a wealthy eccentric englishman who wagers that he can travel around the world in 80 days in jules verne s novel around the world in eighty days 1873 this article was most recently revised and updated by

kathleen kuiper

[jules verne biography life family childhood parents story wife](#) - Mar 10 2023

web the french novelist jules verne was the first authentic writer of modern science fiction the best of his works such as twenty thousand leagues under the sea and journey to the center of the earth are characterized by his intelligent foresight into the technical achievements that are within man s grasp early life

jules verne who was biography style works phrases - Jan 08 2023

web who was jules verne jules gabriel verne was a french writer poet and playwright known for his sci fi adventure stories he is recognized as one of the most important french writers in europe and he is considered the father of science fiction stories

who was jules verne who was mitpressbookstore - Oct 05 2022

web meet the father of science fiction jule verne born in france in 1829 jules verne always dreamed of adventure at age 11 he snuck onboard a ship headed for the indies only to be discovered by his father and have his dreams dashed after his father made him swear to only travel in his imagination verne kept his promise for the rest of his life he began

jules verne books biography who was jules verne - Sep 04 2022

web apr 18 2022 jules gabriel verne was a french author known for his adventure stories he is sometimes credited with creating the science fiction literary genre though others give that credit to english

15 things you might not know about jules verne mental floss - Nov 06 2022

web jul 17 2018 jules verne widely regarded as one of the fathers of science fiction wrote some of literature s most famous adventure novels including seminal works like journey to the center of the earth

journey to the center of the earth wikipedia - Jan 28 2022

web journey to the center of the earth french voyage au centre de la terre also translated with the variant titles a journey to the centre of the earth and a journey into the interior of the earth is a classic science fiction novel by jules verne it was first published in french in 1864 then reissued in 1867 in a revised and expanded edition

jules verne wikipedia - Aug 15 2023

web jules verne jules gabriel verne vɜːrn 1 2 french ʒyl gabʁijɛl vɛʁn 8 february 1828 24 march 1905 3 was a french novelist poet and playwright his collaboration with the publisher pierre jules hetzel led to the creation of the voyages extraordinaires 3 a series of bestselling adventure novels including journey

8 fascinating facts about jules verne book analysis - Aug 03 2022

web jules verne is one of the most translated authors in the world after agatha christie jules verne is commonly considered to be the second most translated author in the world since the 1950s his novels have become incredibly popular with wide audiences in countries all over the world scholars believe that he has had his novels translated

jules verne biography facts britannica - Jul 14 2023

web jules verne born february 8 1828 nantes france died march 24 1905 amiens prolific french author whose writings laid much of the foundation of modern science fiction verne s father intending that jules follow in his footsteps as

jules verne his life and writings thoughtco - Apr 11 2023

web jul 3 2019 by allen grove updated on july 03 2019 jules verne is frequently called the father of science fiction and among all writers only agatha christie s works have been translated more verne wrote numerous plays essays books of nonfiction and short stories but he was best known for his novels

jules verne novels quotes facts biography - May 12 2023

web apr 2 2014 jules verne a 19th century french author is famed for such revolutionary science fiction novels as around the world in eighty days and twenty thousand leagues under the sea updated may

jules verne bibliography wikipedia - Dec 07 2022

web jules verne bibliography jules verne circa 1856 jules verne 1828 1905 was a french novelist poet and playwright most

famous for his novel sequence the voyages extraordinaires verne also wrote assorted short stories plays miscellaneous novels essays and poetry

around the world in eighty days wikipedia - Apr 30 2022

web around the world in eighty days wikipedia around the world in eighty days around the world in eighty days french le tour du monde en quatre vingts jours is an adventure novel by the french writer jules verne first published in french in 1872

jules verne wikipedi - Jun 13 2023

web jules gabriel verne fransızca telaffuz ʒyl vɛʁn 8 Şubat 1828 24 mart 1905 fransız yazar ve gezgin verne hugo gernsback ve h g wells ile genellikle bilim kurgunun öncüleri olarak adlandırılır

twenty thousand leagues under the seas wikipedia - Jun 01 2022

web twenty thousand leagues under the seas french vingt mille lieues sous les mers is a classic science fiction adventure novel by french writer jules verne the novel was originally serialized from march 1869 through june 1870 in pierre jules hetzel s fortnightly periodical the magasin d éducation et de récréation

jules verne encyclopedia com - Feb 09 2023

web may 17 2018 french author jules verne 1828 1905 is generally considered the father of science fiction his immense catalogue of work containing over forty science fiction and adventure novels has been translated from french into dozens of languages and has been read by people around the world

curiosity the story of a mars rover idioma ingles - May 04 2022

web curiosity the story of a mars rover idioma ingles 1 curiosity the story of a mars rover idioma ingles a curious mind drive and curiosity 2 curiosity the story of a mars rover idioma ingles 2020 03 14 increasingly practised only by a cognitive elite drawing on fascinating research

download free curiosity the story of a mars rover idioma ingles - Jul 06 2022

web apr 1 2023 books later this one merely said the curiosity the story of a mars rover idioma ingles pdf is universally compatible similar to any devices to read community peter block 2009 09 01 most of our communities are fragmented and at odds within themselves businesses social services education and health care each live within their

nasa s curiosity rover faces its toughest climb yet on mars - Dec 11 2022

web aug 3 2023 shortly before the rover s 11th anniversary on the red planet its team helped guide it up a steep slippery slope to examine meteor craters on aug 5 nasa s curiosity rover will notch its 11th year on mars by doing what it does best studying the red planet s surface the intrepid bot recently investigated a location nicknamed jau

curiosity the story of a mars rover idioma ingles pdf - Jun 05 2022

web curiosity the story of a mars rover idioma ingles recognizing the showing off ways to acquire this book curiosity the story

of a mars rover idioma ingles is additionally useful you have remained in right site to start getting this info acquire the curiosity the story of a mars rover idioma ingles associate that we find the money for here

[download curiosity the story of a mars rover idioma inglés de](#) - Sep 08 2022

web jan 31 2021 name curiosity the story of a mars rover idioma inglés autor markus motum categoria libros infantil ciencia naturaleza y cómo funciona tamaño del archivo 15 mb tipos de archivo pdf document idioma español archivos de estado available descargar pdf curiosity the story of a mars rover idioma inglés de markus

curiosity the story of a mars rover idioma inglés tapa dura - Sep 20 2023

web curiosity the story of a mars rover idioma inglés motum markus motum markus amazon es libros

[curiosity the story of a mars rover idioma ingles robert zubrin](#) - Aug 07 2022

web money for curiosity the story of a mars rover idioma ingles and numerous ebook collections from fictions to scientific research in any way among them is this curiosity the story of a mars rover idioma ingles that can be your partner curiosity markus motum 2018 11 mars rover danielle smith llera 2017 09 15

[curiosity the story of a mars rover youtube](#) - Jul 18 2023

web feb 9 2021 curiosity the story of a mars roverwritten and illustrated by markus motumread by astronaut nick hague

curiosity the story of a mars rover idioma ingles pdf 2023 - Mar 14 2023

web mar 22 2023 mars rovers a true book space exploration jessica cohn 2022 04 19 from the first time a person looked up at the sky and wondered what s out there humans have dreamed about exploring the cosmos

[the mars rovers curiosity nasa space place](#) - May 16 2023

web oct 4 2023 curiosity is the largest robot to ever land on another planet it is about the size of a small suv because curiosity is so big it also has bigger wheels than the previous rovers this helps it to roll over rocks and sand without getting stuck however even on a long driving day it still only travels about 660 feet

download curiosity the story of a mars rover idioma - Aug 19 2023

web nov 4 2020 download curiosity the story of a mars rover idioma inglés de markus motum libros gratis en epub curiosity the story of a mars rover idioma inglés libro pdf espanol lee ahora descargar curiosity the story of a mars rover idioma inglés de markus motum

curiosity the story of a mars rover idioma ingles - Jan 12 2023

web curiosity the story of a mars rover idioma ingles historia mongalorum quos nos tartaros appellamus dec 05 2019 except for marco polo whose book entitled the million meaning a million lies about a fabulous china europeans knew very little about china when the mongols pushed out of china in their conquests to the

curiosity the story of a mars rover idioma ingles pdf - Oct 09 2022

web curiosity the story of a mars rover markus motum 2023 10 24 in his debut picture book motum brings the story of nasa s beloved mars rover curiosity to life in vivid color full of eye catching retro illustrations this book is sure to fascinate budding space explorers and set inquisitive minds soaring full color red rover

curiosity the story of a mars rover idioma ingles pdf manfred - Mar 02 2022

web apr 23 2023 on line proclamation curiosity the story of a mars rover idioma ingles pdf as well as review them wherever you are now charles darwin a man of enlarged curiosity peter ludwig brent 1981 a provocative new appraisal of the life and legacy of the revolutionary english naturalist analyzes darwin s personality psychology and

curiosity the story of a mars rover idioma ingles full pdf vpn - Feb 13 2023

web the curiosity drive drive and curiosity red rover the curiosity cabinet curious minds the design and engineering of curiosity curiosity the story of a mars rover rover throws a party thank you i m sorry tell me more a natural curiosity red rover alan turing and the power of curiosity radical curiosity the hungry mind curiosity why

curiosity the story of a mars rover idioma ingles pdf - Apr 03 2022

web curiosity the story of a mars rover candlewick press the curiosity is a gripping poignant and thoroughly original thriller that raises disturbing questions about the very nature of life and humanity man as a scientific subject as a tabloid

curiosity the story of a mars rover idioma ingles - Apr 15 2023

web curiosity the story of a mars rover idioma ingles assessing a mars agreement including human settlements oct 15 2022 this book is dedicated to the nascent discussion of the legal aspects of human exploration and possible settlement of mars and provides fresh insights and new ideas in two key areas the first one revolves around the

curiosity the story of a mars rover idioma ingles pdf - Feb 01 2022

web idioma ingles getting the books curiosity the story of a mars rover idioma ingles now is not type of inspiring means you could not forlorn going considering book stock or library or borrowing from your associates to way in them this is an categorically easy means to specifically acquire lead by on line this online statement curiosity the

curiosity the story of a mars rover idioma ingles - Nov 10 2022

web 2 curiosity the story of a mars rover idioma ingles 2022 04 05 finds herself the prime suspect more stunning is her realization that owen and hercules are truly special perhaps even magical

curiosity the story of a mars rover idioma inglés motum - Jun 17 2023

web curiosity the story of a mars rover idioma inglés motum markus motum markus amazon es libros