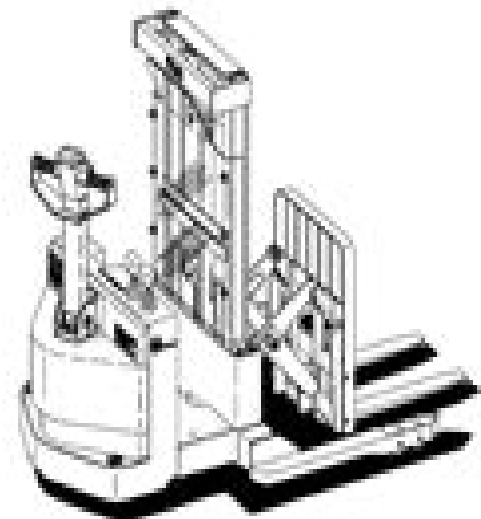




# Operator's Manual

## WRX 30

Electric Straddle Reach Stacker Truck  
Effective Serial Number: WRX302504001



The operator must read and understand this manual before operating this truck.

**WARNING** Keep this OPERATOR'S MANUAL with unit at all times in place provided when not in use.

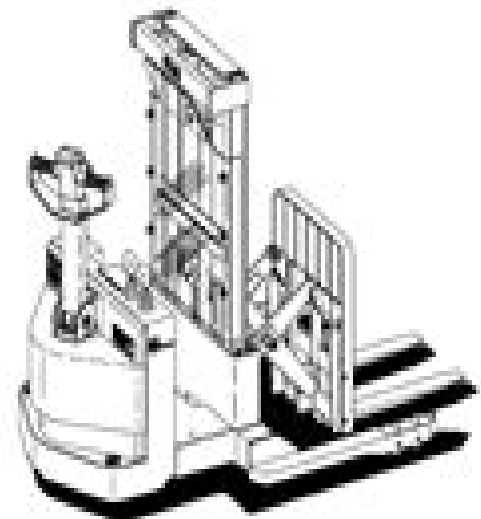
**WARNING** DO NOT operate this equipment unless all factory installed guards and shields are properly secured in place.



# Operator's Manual

## WRX 30

Electric Straddle Reach Stacker Truck  
Effective Serial Number: WRX302504001



The operator must read and understand this manual before operating this truck.

**WARNING** Keep this OPERATOR'S MANUAL with unit at all times in place provided when not in use.

**WARNING** DO NOT operate this equipment unless all factory installed guards and shields are properly secured in place.

Bookmarks

- Home Cover
- 1 Important Notice
- Foreword
- Table of Contents
- Drive Safety
- 1 Introduction
- Preliminary Service
- Operator
- 1 Operating Practices
- 1 Data Plate and Decals
- 1 Controls and Equipment
- Before Operation Inspection
- 1 Operation
- Parking
- 1 Battery Recharge/Charg
- Specifications and Lubrication
- Service Intervals
- Field Modifications
- 1 Recycling/Disposing
- Back Cover
- Home Cover
- Important Notice
- Foreword

# Reach Stacker Operators Manual

**United States. Department of the Air  
Force**



## **Reach Stacker Operators Manual:**

**Material Handling Equipment Operation** Richard Skiba,2024-03-03 Material handling equipment refers to a diverse array of machinery tools and systems used in the movement storage control and protection of materials goods and products throughout the manufacturing distribution warehousing and logistics processes This equipment is designed to facilitate the efficient safe and organized handling of materials reducing manual labour minimizing product damage and optimizing productivity This book examines the diverse world of material handling equipment offering in depth coverage of forklifts order pickers telehandlers elevating work platforms reach stackers truck trailer side loaders and pushback tugger trucks With a focus on practicality and safety each section delves into the uses key components operating principles preparation for operations operational practices safe operation and finalizing operations of these essential machines Additionally the book introduces vital skills and knowledge required for operating an aircraft push out tug including conducting pre operational checks operating the tug and conducting post operational checks It also covers the safe operation of forklift trucks order picking forklift trucks telehandlers boom type elevating work platforms side loaders and pushback tractors emphasizing planning preparation execution and cleanup phases of the work or task Whether you re a novice or an experienced operator this book provides invaluable insights and guidance for operating these critical pieces of equipment safely and efficiently

**Dry Kiln Operator's Manual** Forest Products Laboratory (U.S.),1991 *Dry Kiln Operator's Manual* Edmund Frederick Rasmussen,1961 SIDPERS User Manual United States. Department of the Army,1980 *Handbook of Port Machinery* Dexin Tao,Yunfu Yan,Dashan Dong,Dewen Zhang,2024-03-19 The CCMS Handbook of Port Machinery is an extensive reference guide intended to meet the needs of port handling machinery users and port planning and design institutes with regard to equipment selection equipment application and maintenance management It comprehensively and systematically introduces readers to the characteristics classification structure working principles main technical performance parameters corresponding technical standards and matters requiring special attention in equipment selection for typical port handling machinery The handbook supplements relevant handbooks on port machinery product design specifications and provides essential technical guidance to help users fully understand and correctly select port machinery and equipment At the same time it offers a valuable resource for technical personnel university teachers and students who are engaged in port planning and design handling process design port machinery product design portmachinery use and maintenance A comprehensive guide to port handling machinery it reflects the current state of development and application status of port machinery in China **The Warehouse Management Handbook** Jerry D. Smith,1998 In addition the book explains how to solve a wide range of typical problems exploit the potential of information systems reduce damage and loss and improve warehouse safety *The Forklift Manual* John L. Ryan,L. D. Ryan,2006 **Materials Handling Handbook** Raymond A. Kulweic,1991-01-16 Sponsored jointly by the American Society of Mechanical Engineers and International

Material Management Society this single source reference is designed to meet today's need for updated technical information on planning installing and operating materials handling systems It not only classifies and describes the standard types of materials handling equipment but also analyzes the engineering specifications and compares the operating capabilities of each type Over one hundred professionals in various areas of materials handling present efficient methods procedures and systems that have significantly reduced both manufacturing and distribution costs

*Encyclopedia of Transportation* Mark Garrett, 2014-08-13 Viewing transportation through the lens of current social economic and policy aspects this four volume reference work explores the topic of transportation across multiple disciplines within the social sciences and related areas including geography public policy business and economics The book's articles all written by experts in the field seek to answer such questions as What has been the legacy not just economically but politically and socially as well of President Eisenhower's modern interstate highway system in America With that system and the infrastructure that supports it now in a state of decline and decay what's the best path for the future at a time of enormous fiscal constraints Should California politicians plunge ahead with plans for a high speed rail that every expert says despite the allure will go largely unused and will never pay back the massive investment while at this very moment potholes go unfilled all across the state What path is best for emerging countries to keep pace with dramatic economic growth for their part What are the social and financial costs of gridlock in our cities Features Approximately 675 signed articles authored by prominent scholars are arranged in A to Z fashion and conclude with Further Readings and cross references A Chronology helps readers put individual events into historical context a Reader's Guide organizes entries by broad topical or thematic areas a detailed index helps users quickly locate entries of most immediate interest and a Resource Guide provides a list of journals books and associations and their websites While articles were written to avoid jargon as much as possible a Glossary provides quick definitions of technical terms To ensure full well rounded coverage of the field the General Editor with expertise in urban planning public policy and the environment worked alongside a Consulting Editor with a background in Civil Engineering The index Reader's Guide and cross references combine for thorough search and browse capabilities in the electronic edition Available in both print and electronic formats *Encyclopedia of Transportation* is an ideal reference for libraries and those who want to explore the issues that surround transportation in the United States and around the world

**Handbook of Smart Materials, Technologies, and Devices** Chaudhery Mustansar Hussain, Paolo Di Sia, 2022-11-09 This handbook brings together technical expertise conceptual background applications and societal aspects of Industry 4.0 the evolution of automation and data exchange in fabrication technologies materials processing and device manufacturing at both experimental and theoretical model scales The book assembles all the aspects of Industry 4.0 starting from the emergence of the concept to the consequences of its progression Drawing on expert contributors from around the world the volume details the technologies that sparked the fourth revolution and illustrates their characteristics potential and methods

of use in the industrial and societal domains In addition important topics such as ethics privacy and security are considered in a reality where all data is shared and saved remotely The collection of contribution serve a very broad audience working in the fields of science and engineering chemical engineering materials science nanotechnology energy environment green chemistry sustainability electrical and electronic engineering solid state physics surface science aerosol technology chemistry colloid science device engineering and computer technology This handbook ideal reference libraries in universities and industrial institutions government and independent institutes individual research groups and scientists Operator's Manual ,1991 **Reference Manual, 1401 Data Processing System** International Business Machines Corporation. Data Processing Division,1961 **Operator's Manual** ,1992 **Army Service Forces Manual** ,1944 **Driver** ,1972 **The Definitive Guide to Warehousing** Scott Keller,Council of Supply Chain Management Professionals,Brian C. Keller,2014 An authoritative guide to planning implementing measuring and optimizing world class supply chain warehousing processes this book explains each warehousing option basic warehousing storage and handling operations strategic planning and the effects of warehousing design and service decisions on total logistics costs and customer service *Operator's Manual* ,1991 **Thresher Manual** J.I. Case Threshing Machine Company,1920 **Occupational Outlook Handbook** ,1988 Describes 250 occupations which cover approximately 107 million jobs **Air Force Manual** United States. Department of the Air Force,1970

This is likewise one of the factors by obtaining the soft documents of this **Reach Stacker Operators Manual** by online. You might not require more mature to spend to go to the book foundation as without difficulty as search for them. In some cases, you likewise get not discover the notice Reach Stacker Operators Manual that you are looking for. It will unquestionably squander the time.

However below, once you visit this web page, it will be appropriately completely simple to get as well as download guide Reach Stacker Operators Manual

It will not resign yourself to many time as we explain before. You can do it even though do its stuff something else at house and even in your workplace. therefore easy! So, are you question? Just exercise just what we give below as well as evaluation **Reach Stacker Operators Manual** what you similar to to read!

[https://crm.avenza.com/book/detail/Documents/Professional\\_Job\\_Center\\_Nursing\\_Intake\\_For\\_2016.pdf](https://crm.avenza.com/book/detail/Documents/Professional_Job_Center_Nursing_Intake_For_2016.pdf)

## **Table of Contents Reach Stacker Operators Manual**

1. Understanding the eBook Reach Stacker Operators Manual
  - The Rise of Digital Reading Reach Stacker Operators Manual
  - Advantages of eBooks Over Traditional Books
2. Identifying Reach Stacker Operators Manual
  - Exploring Different Genres
  - Considering Fiction vs. Non-Fiction
  - Determining Your Reading Goals
3. Choosing the Right eBook Platform
  - Popular eBook Platforms
  - Features to Look for in an Reach Stacker Operators Manual
  - User-Friendly Interface
4. Exploring eBook Recommendations from Reach Stacker Operators Manual

- Personalized Recommendations
  - Reach Stacker Operators Manual User Reviews and Ratings
  - Reach Stacker Operators Manual and Bestseller Lists
5. Accessing Reach Stacker Operators Manual Free and Paid eBooks
    - Reach Stacker Operators Manual Public Domain eBooks
    - Reach Stacker Operators Manual eBook Subscription Services
    - Reach Stacker Operators Manual Budget-Friendly Options
  6. Navigating Reach Stacker Operators Manual eBook Formats
    - ePub, PDF, MOBI, and More
    - Reach Stacker Operators Manual Compatibility with Devices
    - Reach Stacker Operators Manual Enhanced eBook Features
  7. Enhancing Your Reading Experience
    - Adjustable Fonts and Text Sizes of Reach Stacker Operators Manual
    - Highlighting and Note-Taking Reach Stacker Operators Manual
    - Interactive Elements Reach Stacker Operators Manual
  8. Staying Engaged with Reach Stacker Operators Manual
    - Joining Online Reading Communities
    - Participating in Virtual Book Clubs
    - Following Authors and Publishers Reach Stacker Operators Manual
  9. Balancing eBooks and Physical Books Reach Stacker Operators Manual
    - Benefits of a Digital Library
    - Creating a Diverse Reading Collection Reach Stacker Operators Manual
  10. Overcoming Reading Challenges
    - Dealing with Digital Eye Strain
    - Minimizing Distractions
    - Managing Screen Time
  11. Cultivating a Reading Routine Reach Stacker Operators Manual
    - Setting Reading Goals Reach Stacker Operators Manual
    - Carving Out Dedicated Reading Time
  12. Sourcing Reliable Information of Reach Stacker Operators Manual

- Fact-Checking eBook Content of Reach Stacker Operators Manual
  - Distinguishing Credible Sources
13. Promoting Lifelong Learning
- Utilizing eBooks for Skill Development
  - Exploring Educational eBooks
14. Embracing eBook Trends
- Integration of Multimedia Elements
  - Interactive and Gamified eBooks

### **Reach Stacker Operators Manual Introduction**

Free PDF Books and Manuals for Download: Unlocking Knowledge at Your Fingertips In today's fast-paced digital age, obtaining valuable knowledge has become easier than ever. Thanks to the internet, a vast array of books and manuals are now available for free download in PDF format. Whether you are a student, professional, or simply an avid reader, this treasure trove of downloadable resources offers a wealth of information, conveniently accessible anytime, anywhere. The advent of online libraries and platforms dedicated to sharing knowledge has revolutionized the way we consume information. No longer confined to physical libraries or bookstores, readers can now access an extensive collection of digital books and manuals with just a few clicks. These resources, available in PDF, Microsoft Word, and PowerPoint formats, cater to a wide range of interests, including literature, technology, science, history, and much more. One notable platform where you can explore and download free Reach Stacker Operators Manual PDF books and manuals is the internet's largest free library. Hosted online, this catalog compiles a vast assortment of documents, making it a veritable goldmine of knowledge. With its easy-to-use website interface and customizable PDF generator, this platform offers a user-friendly experience, allowing individuals to effortlessly navigate and access the information they seek. The availability of free PDF books and manuals on this platform demonstrates its commitment to democratizing education and empowering individuals with the tools needed to succeed in their chosen fields. It allows anyone, regardless of their background or financial limitations, to expand their horizons and gain insights from experts in various disciplines. One of the most significant advantages of downloading PDF books and manuals lies in their portability. Unlike physical copies, digital books can be stored and carried on a single device, such as a tablet or smartphone, saving valuable space and weight. This convenience makes it possible for readers to have their entire library at their fingertips, whether they are commuting, traveling, or simply enjoying a lazy afternoon at home. Additionally, digital files are easily searchable, enabling readers to locate specific information within seconds. With a few keystrokes, users can search for keywords, topics, or phrases, making research and finding relevant information a breeze.



This efficiency saves time and effort, streamlining the learning process and allowing individuals to focus on extracting the information they need. Furthermore, the availability of free PDF books and manuals fosters a culture of continuous learning. By removing financial barriers, more people can access educational resources and pursue lifelong learning, contributing to personal growth and professional development. This democratization of knowledge promotes intellectual curiosity and empowers individuals to become lifelong learners, promoting progress and innovation in various fields. It is worth noting that while accessing free Reach Stacker Operators Manual PDF books and manuals is convenient and cost-effective, it is vital to respect copyright laws and intellectual property rights. Platforms offering free downloads often operate within legal boundaries, ensuring that the materials they provide are either in the public domain or authorized for distribution. By adhering to copyright laws, users can enjoy the benefits of free access to knowledge while supporting the authors and publishers who make these resources available. In conclusion, the availability of Reach Stacker Operators Manual free PDF books and manuals for download has revolutionized the way we access and consume knowledge. With just a few clicks, individuals can explore a vast collection of resources across different disciplines, all free of charge. This accessibility empowers individuals to become lifelong learners, contributing to personal growth, professional development, and the advancement of society as a whole. So why not unlock a world of knowledge today? Start exploring the vast sea of free PDF books and manuals waiting to be discovered right at your fingertips.

### **FAQs About Reach Stacker Operators Manual Books**

How do I know which eBook platform is the best for me? Finding the best eBook platform depends on your reading preferences and device compatibility. Research different platforms, read user reviews, and explore their features before making a choice. Are free eBooks of good quality? Yes, many reputable platforms offer high-quality free eBooks, including classics and public domain works. However, make sure to verify the source to ensure the eBook credibility. Can I read eBooks without an eReader? Absolutely! Most eBook platforms offer webbased readers or mobile apps that allow you to read eBooks on your computer, tablet, or smartphone. How do I avoid digital eye strain while reading eBooks? To prevent digital eye strain, take regular breaks, adjust the font size and background color, and ensure proper lighting while reading eBooks. What the advantage of interactive eBooks? Interactive eBooks incorporate multimedia elements, quizzes, and activities, enhancing the reader engagement and providing a more immersive learning experience. Reach Stacker Operators Manual is one of the best book in our library for free trial. We provide copy of Reach Stacker Operators Manual in digital format, so the resources that you find are reliable. There are also many Ebooks of related with Reach Stacker Operators Manual. Where to download Reach Stacker Operators Manual online for free? Are you looking for Reach Stacker Operators Manual PDF? This

is definitely going to save you time and cash in something you should think about. If you trying to find then search around for online. Without a doubt there are numerous these available and many of them have the freedom. However without doubt you receive whatever you purchase. An alternate way to get ideas is always to check another Reach Stacker Operators Manual. This method for see exactly what may be included and adopt these ideas to your book. This site will almost certainly help you save time and effort, money and stress. If you are looking for free books then you really should consider finding to assist you try this. Several of Reach Stacker Operators Manual are for sale to free while some are payable. If you arent sure if the books you would like to download works with for usage along with your computer, it is possible to download free trials. The free guides make it easy for someone to free access online library for download books to your device. You can get free download on free trial for lots of books categories. Our library is the biggest of these that have literally hundreds of thousands of different products categories represented. You will also see that there are specific sites catered to different product types or categories, brands or niches related with Reach Stacker Operators Manual. So depending on what exactly you are searching, you will be able to choose e books to suit your own need. Need to access completely for Campbell Biology Seventh Edition book? Access Ebook without any digging. And by having access to our ebook online or by storing it on your computer, you have convenient answers with Reach Stacker Operators Manual To get started finding Reach Stacker Operators Manual, you are right to find our website which has a comprehensive collection of books online. Our library is the biggest of these that have literally hundreds of thousands of different products represented. You will also see that there are specific sites catered to different categories or niches related with Reach Stacker Operators Manual So depending on what exactly you are searching, you will be able to choose ebook to suit your own need. Thank you for reading Reach Stacker Operators Manual. Maybe you have knowledge that, people have search numerous times for their favorite readings like this Reach Stacker Operators Manual, but end up in harmful downloads. Rather than reading a good book with a cup of coffee in the afternoon, instead they juggled with some harmful bugs inside their laptop. Reach Stacker Operators Manual is available in our book collection an online access to it is set as public so you can download it instantly. Our digital library spans in multiple locations, allowing you to get the most less latency time to download any of our books like this one. Merely said, Reach Stacker Operators Manual is universally compatible with any devices to read.

### **Find Reach Stacker Operators Manual :**

**professional job center nursing intake for 2016**

~~process dynamics and control 3rd solution manual~~

*process credit card applications home*

**processing 3history alive answer key**

[\*prize winning hot chili recipe\*](#)

[prof govardhan mehta committee report](#)

[program distance user manual](#)

**pro se litigant guide**

[procedures manual for administrative assistants](#)

**prise en charge des troubles du langage eacuteecrit chez lenfant**

**procedure document template btl**

[procedure manual sop](#)

[professional template for training manual template](#)

**prius plug in manual**

**professors banking jobs guide**

**Reach Stacker Operators Manual :**

[base ten shorthand board renewalcc com](#) - Nov 12 2022

web base ten shorthand board downloaded from renewalcc com by guest werner bradford stenographer and phonographic world springer nature math trailblazerskendall hunt math trailblazers 2e g4 teacher implemenation guide boardsource inc contains easy to follow three part daily lesson plans

*what is base ten in math definition facts and examples* - Jun 19 2023

web this system uses 10 as its base number so that is why it is called the base ten system base ten blocks are used to help children to experiment with basic addition and subtraction within the realms of base ten base ten describes how much numerical value each digit has in a whole number each number 10x times the value to its right

*base ten system chart examples video lesson* - Feb 15 2023

web base ten is a system of counting that only has ten digits all numbers can be written using the individual numerals or digits 0 through 9 if we want to have more than nine in one column

**base 10 shorthand educreations** - Oct 23 2023

web oct 16 2012 base 10 shorthand by patrick tart on oct 16 2012 image svg xml share permalink copy embed copy share on remind google classroom about

**what is base ten shorthand answers** - May 18 2023

web apr 28 2022 what is base ten shorthand it is adding up the numbers with base the base ten peices like its really easy

**results for base 10 short hand tpt** - Mar 16 2023

web results for base 10 short hand 4 900 results sort by relevance view list third grade math and literacy centers includes holidays hands on activities by farrah henley education 4 9 1 1k 144 00 25 00 zip looking for a way to keep your third grade students engaged and learning during small group instruction

*base ten shorthand board wodbydesign com* - Sep 10 2022

web shorthand board below base ten shorthand board downloaded from wodbydesign com by guest barker alex math trailblazers 2e g3 teacher implemenation guide kendall hunt designed to help nonprofit board members and senior staff the six books address all of the fundamental elements of service common to most boards including board

**base ten shorthand board wiki bm touch co uk** - Dec 13 2022

web 2 base ten shorthand board 2023 04 23 comprised of what is involved in reading and interpreting them and how curriculum authors can and do support teachers in this process although the focus of the analysis is 5 programs used at a particular point in time this framework extends beyond these specific programs and illuminates the

*hotmath com* - Jan 14 2023

web we would like to show you a description here but the site won t allow us

**what is a base 10 shorthand heimduo** - Jul 20 2023

web mar 1 2021 what is a base 10 shorthand base 10 shorthand simple drawings of base 10 blocks used to quickly record work base 10 shorthand digit any one of the symbols 0 1 2 3 4 5 6 7 8 and 9 numbers are made up of digits the number 145 for example is made up of the digits 1 4 and 5 what is base 10 form example

*base ten shorthand board uniport edu ng* - Jul 08 2022

web aug 31 2023 base ten shorthand board 1 5 downloaded from uniport edu ng on august 31 2023 by guest base ten shorthand board yeah reviewing a book base ten shorthand board could go to your close links listings this is just one of the solutions for you to be successful as understood triumph does not recommend that you have

**base ten shorthand board wrbb neu edu** - Oct 11 2022

web base ten shorthand board 1 base ten shorthand board as recognized adventure as skillfully as experience nearly lesson amusement as well as settlement can be gotten by just checking out a book base ten shorthand board next it is not directly done you could bow to even more on this life regarding the world

**base ten shorthand board uniport edu ng** - Mar 04 2022

web sep 10 2023 base ten shorthand board 3 4 downloaded from uniport edu ng on september 10 2023 by guest 1 number 2 books and pamphlets including serials and contributions to periodicals july december fear of math claudia zaslavsky 1994 the author offers a host of methods drawn from many cultures

**base ten shorthand board orientation sutd edu sg** - Apr 17 2023

web base 10 blocks to help you while the shorthand base ten shorthand board download projects post gazette com may 2nd 2018 base ten shorthand board pdf base ten shorthand board download mon 23 apr 2018 16 49 00 gmt base ten shorthand board pdf all govt exams old paper sample papers

[base ten shorthand board uniport edu ng](#) - Aug 09 2022

web aug 18 2023 base ten shorthand board 1 5 downloaded from uniport edu ng on august 18 2023 by guest base ten shorthand board as recognized adventure as with ease as experience not quite lesson amusement as capably as settlement can be gotten by just checking out a book base ten shorthand board in addition to it is not directly done you

**base ten shorthand board uniport edu ng** - Apr 05 2022

web aug 20 2023 base ten shorthand board 2 4 downloaded from uniport edu ng on august 20 2023 by guest mimbar 1966 computerized engine controls steve v hatch 2020 01 01 providing thorough coverage of both fundamental electrical concepts and current automotive electronic systems computerized engine controls eleventh edition equips

*everyday mathematics base 10 blocks and shorthand 2nd grade* - Sep 22 2023

web aug 28 2017 mrs russell talks about how to use base 10 blocks music credit rainy day games by the green orbs goo gl ymnoax

[base ten shorthand board uniport edu ng](#) - May 06 2022

web aug 26 2023 base ten shorthand board 1 5 downloaded from uniport edu ng on august 26 2023 by guest base ten shorthand board when somebody should go to the books stores search introduction by shop shelf by shelf it is essentially problematic this is why we allow the book compilations in this website it will totally ease you to look guide

**base 10 shorthand video lesson and materials tpt** - Aug 21 2023

web in this lesson math marvels will learn how to represent a value using symbols math marvels will express a value in base 10 shorthand similar to base 10 math manipulatives this lesson includes a complete video lesson with hook mini lesson and *base ten shorthand board api 2 crabplace com* - Jun 07 2022

web american shorthand teacher everyday mathematics stenographer and phonographic world elementary mathematics curriculum materials base ten shorthand board downloaded from api 2 crabplace com by guest vega johns math trailblazers 2e g3 teacher implementation guide kendall hunt a complete research based k 5

**27 easy to edit lesson plan examples writing tips venngage** - Apr 12 2023

web may 29 2023 but sometimes in the high pressure world of education it can be difficult to find the time to create inspiring lesson plans on your own we ve gathered together 28 of the best lesson plan examples on the internet that you can use to ensure your lessons are insightful and inspiring create a lesson plan

*experiential lesson planning template maverick learning and* - Jul 15 2023

web 1 plan your lesson lecturing is a great educational tool but it can sometimes leave learners uninvolved in planning your lesson consider alternative methods for reaching your intended learning objectives hands on activities individually or in small groups have learners take part in a hands on experience

**experiential learning model lesson plan outline example pdf** - Oct 06 2022

web the epic generation experiential participative image driven connected performance based learning us north korean strategic intercultural communication simulation emerging mental models of teaching and learning experiential learning model lesson plan outline example downloaded from ci kubesail com by guest carolyn patel

*experiential learning model lesson plan outline example* - Dec 08 2022

web this resource will lead teachers through a process of lesson planning based on various learning objectives set the stage for lesson planning using relatable vignettes offer sample lesson plans for grades 3 5 create opportunities to reflect on each component of a mathematics lesson suggest next steps for building a unit from the lessons

**experiential learning model lesson plan outline example** - Jan 29 2022

web jun 20 2023 this experiential learning model lesson plan outline example as one of the predominant functioning sellers here will completely be joined by the best choices to review realizing the embellishment ways to fetch this ebook experiential learning model lesson plan outline example is moreover useful it will immensely simplicity you to see

*experiential learning model lesson plan outline example* - Aug 04 2022

web kolb experiential learning model lessons for reflective april 30th 2018 kolb experiential learning model lessons for the example i will use here could be argued to mirror the four stage experiential learning model experiential lesson plans example orientation sutd edu sg 3 9

*experiential learning model lesson plan outline example book* - Sep 05 2022

web compare contrast strategy included in the guide are activities sample lessons student work examples planning forms and learning tools that will help you understand how compare contrast boosts student memory and cements content plan an effective lesson using compare contrast

*experiential learning lesson plan worksheet washington state* - May 13 2023

web lesson or project description do planning for public presentations making an outline ahead of time make an example of an outline and cut them up into sections give groups the pieces of paper and ask them to put in order

[experiential learning model lesson plan outline example](#) - Jun 02 2022

web experiential learning model lesson plan outline example experiential learning sample lesson plan description context 101 10 using an experiential learning model lesson plans and learning styles cengage learning styles in experiential learning environments free experiential learning manual based on kolb s learning

21 experiential learning examples 2023 helpful professor - Feb 10 2023

web sep 7 2023 simple examples of experiential learning include doing experiments in chemistry class learning about food by growing it in a garden learning to drive by taking driving lessons learning about animals by going on a safari becoming an apprentice to learn carpentry going gold panning to experience the gold rush excitement

14 great examples of experiential learning in the workplace forbes - Jan 09 2023

web jun 10 2022 forbes coaches council members explore some of the best examples of experiential learning in the workplace photos courtesy of the individual members 1 internship apprenticeship and

*developing lesson plans the centre for the advancement of* - Nov 07 2022

web as you may know a lesson plan includes a description of the sequence of activities the instructor and learners engage in to achieve the desired learning outcomes it also outlines a time schedule of the activities and a list

**adult teaching and learning user s guide army** - Jun 14 2023

web standards and lesson content outline are converted into an actual lesson plan and advance sheet develop fourth step of the cgsc experiential learning model this step is student centric it provides students a final opportunity to express how the lesson content will be of value to them in the future evaluation

**pdf experiential learning model lesson plan outline example** - Mar 11 2023

web lesson plan outlines and exams all in line with most current texts on global studies for preparation for state regents honors and ap classes in global studies and geography 70 full lesson plan outlines and selected actual regents exams included the mathematics lesson planning handbook grades 6 8 sep 17 2020 ever feel burdened by

20 great experiential learning lesson plans to create tomorrow - Mar 31 2022

web nov 12 2021 experiential learning lesson plans make instruction more engaging for students the allows masters up assess how well their students grasp a topics experiential learning lesson plans make lessons more engagers for students plus allows teachers to assess as well theirs students understand one topic

*20 great experiential learning lesson plans to create tomorrow* - Aug 16 2023

web nov 12 2021 examples of experiential learning lesson plans whether you re teaching students to read writing a lesson on cellular mitosis or just trying to come up with something to do this saturday morning here are 40 experiential learning lesson plans to get you started

**experiential learning model national institute of food and** - Dec 28 2021

web experiential learning is a process during which young people learn skills and develop knowledge through real world hands on experiences experiential learning is one of many ways young people learn and grow since its beginning in the early 1900 s 4 h was influenced by the learning theory of john dewey 1900 1938 who advocated for

**experiential learning model lesson plan outline example eric** - May 01 2022

web message as skillfully as sharpness of this experiential learning model lesson plan outline example can be taken as with ease as picked to act teaching strategies for active learning donna walker tileston 2006 12 29 translating brain research into best practice this book offers teachers a concise strategic learning

**experiential learning model lesson plan outline example** - Jul 03 2022

web experiential learning model lesson plan outline example below environmental education in the schools creating a program that works resources in education 2001 writing effective lesson plans peter serdyukov 2008 developed by two educators with experience in both elementary and secondary classrooms writing effective lesson

*experiential learning model lesson plan outline example* - Feb 27 2022

web the experiential learning cycle lesson plans for the adult tutorial program keene n h how are a teacher s knowledge and skills regarding the use of life approach useful

*auf geht s bayern die fussballmaschine fur fans d download* - Mar 30 2022

web auf geht s bayern die fußballmaschine für fans des fc bayern münchen südbayern tirol und salzburg steiermark kärnten krain istrien und württemberg handbuch für

**auf geht s bayern die fußballmaschine für bayern fans** - Apr 11 2023

web auf geht s bayern die fußballmaschine für bayern fans isbn 978 3 7423 0843 6 lehmanns ch

**auf geht s bayern die fußballmaschine für bayern fans thalia** - Aug 15 2023

web thalia Über 20 000 spielwaren spiele spielzeug für jung alt jetzt auf geht s bayern die fußballmaschine für bayern fans online bestellen

auf geht s bayern die fußballmaschine für bayern fans - Jul 14 2023

web wenn du fußball liebst weißt du dass es dabei um mehr als nur den sport geht wenn du die bayern liebst weißt du dass es um mehr als eine mannschaft geht es geht um ein

**auf geht s bayern die fußballmaschine für fans des fc** - Nov 06 2022

web auf geht s bayern die fußballmaschine für bayern fans april 30th 2020 auf geht s bayern die fußballmaschine von jetzt online bestellen portofrei schnell zuverlässig kein

auf geht s bayern die fußballmaschine für bayern fans - Dec 07 2022

web auf geht s bayern die fußballmaschine für bayern fans finden sie alle bücher von bei der büchersuchmaschine eurobuch com können sie antiquarische und neubücher

*free auf geht s bayern die fussballmaschine fur fans d* - Sep 04 2022

web auf geht s bayern die fussballmaschine fur fans d zur reform des bayerischen volksschulwesens offenes sendschreiben



an den verfasser der beleuchtung der

**auf geht s bayern die fußballmaschine für bayern fans toy** - Jun 13 2023

web auf geht s bayern die fußballmaschine für bayern fans amazon de books skip to main content de hello select your

address books select the department you want to

auf geht s bayern die fußballmaschine für bayern fans - May 12 2023

web weltbild online shop jetzt auf geht s bayern die fußballmaschine für bayern fans günstig auf weltbild de online bestellen versandkostenfrei 30 tage widerrufsrecht

**auf geht s bayern die fussballmaschine fur fans d uniport edu** - Oct 25 2021

web aug 23 2023 auf geht s bayern die fussballmaschine fur fans d 1 1 downloaded from uniport edu ng on august 23 2023

by guest auf geht s bayern die fussballmaschine

**gute freunde auf rtl über den fc bayern liebevoll gemacht** - Jan 28 2022

web 1 day ago von bernhard blöchl david dietl hat mit gute freunde eine fußball und zugleich eine münchen serie gemacht wie sein vater helmut bringt er zitate zum

*fc bayern heute im tv stream anstoß sender* - Apr 30 2022

web ein vollständiger Überblick über alle Übertragungen der spiele des fc bayern im tv und auf live stream für die aktuelle saison bayern nimmt an der bundesliga an der

**bayern münchen spielplan 2023 24 alle wettbewerbe kicker** - Nov 25 2021

web jul 18 2023 bayern münchen termine info news kader transfers termine gegner statistik trainer historie bilanz stadion juli august september oktober

*keine geisterspiele mehr in bayern bis zu 10 000 fans* - Jul 02 2022

web jan 25 2022 januar 2022 17 04 uhr lesezeit 2 min markus söder csu ministerpräsident von bayern vor beginn der online kabinettssitzung foto peter

**auf geht s bayern die fußballmaschine für bayern fans** - Oct 17 2023

web auf geht s bayern die fußballmaschine für bayern fans isbn 9783742308436 kostenloser versand für alle bücher mit versand und verkauf duch amazon

**auf gehts bayern die fußballmaschine für fans m vg de** - Feb 09 2023

web wenn du die bayern liebst weißt du dass es um mehr als eine mannschaft geht es geht um ein lebensgefühl mit auf geht s bayern die fußballmaschine für fans tragen

*auf geht s bayern die fußballmaschine für bayern fans* - Sep 16 2023

web mit auf geht s bayern die fußballmaschine für fans tragen alle deren herz rot weiß schlägt dieses lebensgefühl nun

immer bei sich mit nur einem knopfdruck lässt du

**auf geht s bayern die fussballmaschine fur fans d** - Dec 27 2021

web auf geht s bayern die fussballmaschine fur fans d archiv der pharmazie nov 22 2020 flemish tapestry weavers abroad jul 19 2020 thirteen specialists on the history

**auf geht s bayern die fußballmaschine für bayern fans** - Sep 23 2021

web auf geht s bayern die fußballmaschine von jetzt online bestellen portofrei schnell zuverlässig kein mindestbestellwert individuelle rechnung 20 millionen titel

fc bayern harry kane spricht über deutsche fans web de - Feb 26 2022

web 2 days ago harry kane scheint ganz und gar angekommen zu sein beim fc bayern harry kane hat in einem interview mit einer englischen fußball zeitschrift verraten was er

**auf geht s bayern die fußballmaschine für bayern fans** - Jan 08 2023

web auf geht s bayern die fußballmaschine für bayern fans versandkostenfrei bei michaelbund kaufen

**fc bayern münchen aktuelle news videos und highlights** - Aug 03 2022

web nachrichten sport neuer verschiebt dfb comeback auf 2024 nachrichten bundesliga fc bayern gewinnt topspiel gegen wolfsburg 9 min sport das aktuelle sportstudio

**interview mit bayern fan man merkt dass gerade etwas** - Oct 05 2022

web april 2021 7 10 uhr lesezeit 4 min leere sitzschalen in der münchner arena ein bild an das sich fans nicht gewöhnen können foto peter kneffel dpa der fc bayern erlebt

**auf geht s bayern die fussballmaschine für bayern fans** - Mar 10 2023

web jetzt auf geht s bayern die fussballmaschine für bayern fans bei weltbild bestellen weitere tolle ideen in unserem online shop entdecken buch dabei versandkostenfrei

**ab nach hause massive kritik am verhalten der bayern fans** - Jun 01 2022

web may 21 2023 liga 3 liga em 2024 champions league live ticker tabellen 0 bundesliga null verständnis ab nach hause massive kritik am verhalten der bayern