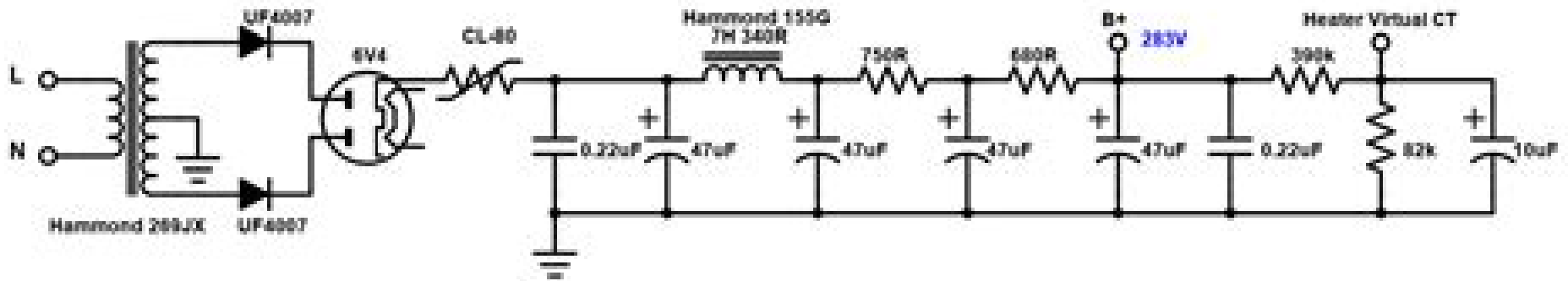
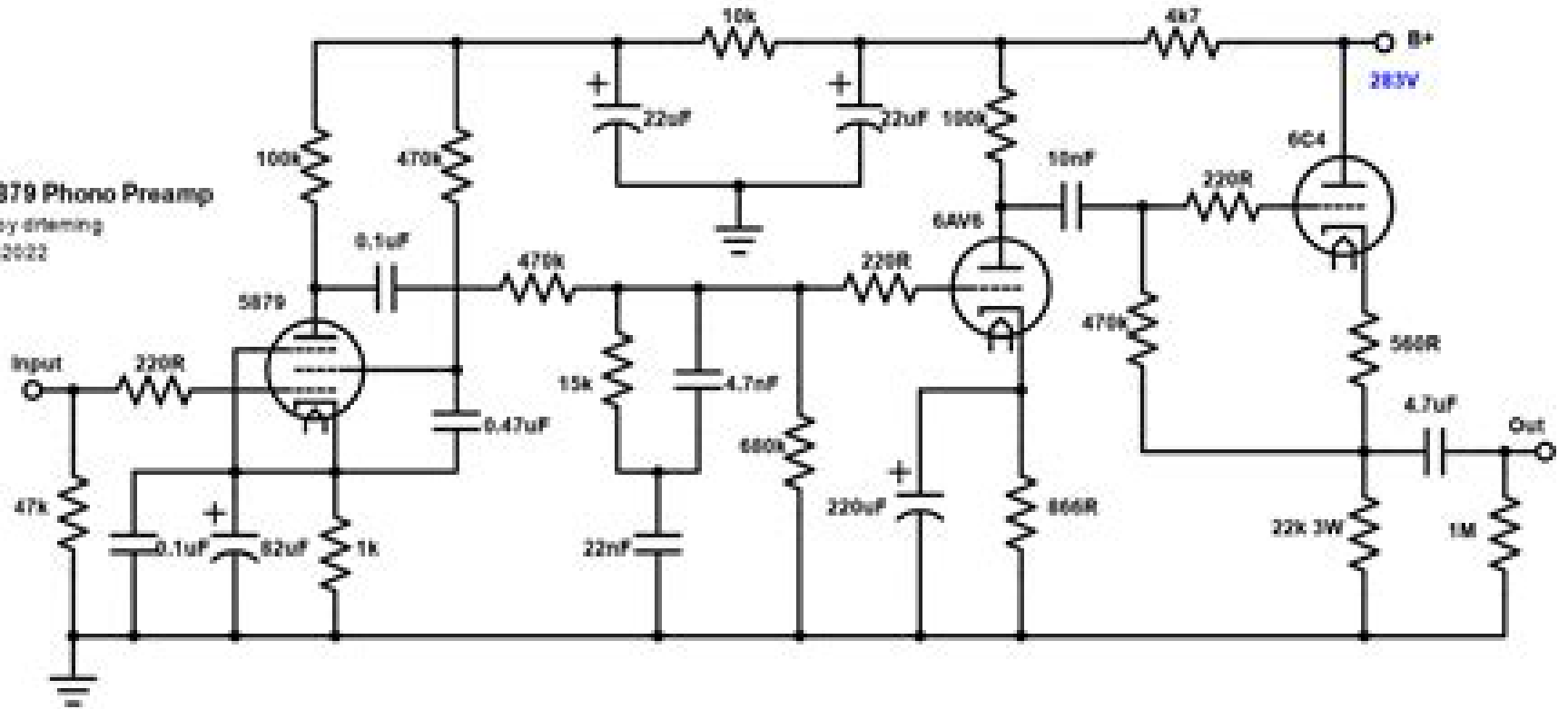


RCA 5879 Phono Preamp

As built by dntemig
25-Sept-2022



Rca Valve Manual

Ian Pickup



Rca Valve Manual:

Ignite the flame of optimism with Get Inspired by is motivational masterpiece, Find Positivity in **Rca Valve Manual** . In a downloadable PDF format (PDF Size: *), this ebook is a beacon of encouragement. Download now and let the words propel you towards a brighter, more motivated tomorrow.

https://crm.avenza.com/results/scholarship/Documents/Samsung_Ml_1510_Service_Manual.pdf

Table of Contents Rca Valve Manual

1. Understanding the eBook Rca Valve Manual
 - The Rise of Digital Reading Rca Valve Manual
 - Advantages of eBooks Over Traditional Books
2. Identifying Rca Valve Manual
 - Exploring Different Genres
 - Considering Fiction vs. Non-Fiction
 - Determining Your Reading Goals
3. Choosing the Right eBook Platform
 - Popular eBook Platforms
 - Features to Look for in an Rca Valve Manual
 - User-Friendly Interface
4. Exploring eBook Recommendations from Rca Valve Manual
 - Personalized Recommendations
 - Rca Valve Manual User Reviews and Ratings
 - Rca Valve Manual and Bestseller Lists
5. Accessing Rca Valve Manual Free and Paid eBooks
 - Rca Valve Manual Public Domain eBooks
 - Rca Valve Manual eBook Subscription Services
 - Rca Valve Manual Budget-Friendly Options
6. Navigating Rca Valve Manual eBook Formats

- ePub, PDF, MOBI, and More
- Rca Valve Manual Compatibility with Devices
- Rca Valve Manual Enhanced eBook Features
- 7. Enhancing Your Reading Experience
 - Adjustable Fonts and Text Sizes of Rca Valve Manual
 - Highlighting and Note-Taking Rca Valve Manual
 - Interactive Elements Rca Valve Manual
- 8. Staying Engaged with Rca Valve Manual
 - Joining Online Reading Communities
 - Participating in Virtual Book Clubs
 - Following Authors and Publishers Rca Valve Manual
- 9. Balancing eBooks and Physical Books Rca Valve Manual
 - Benefits of a Digital Library
 - Creating a Diverse Reading Collection Rca Valve Manual
- 10. Overcoming Reading Challenges
 - Dealing with Digital Eye Strain
 - Minimizing Distractions
 - Managing Screen Time
- 11. Cultivating a Reading Routine Rca Valve Manual
 - Setting Reading Goals Rca Valve Manual
 - Carving Out Dedicated Reading Time
- 12. Sourcing Reliable Information of Rca Valve Manual
 - Fact-Checking eBook Content of Rca Valve Manual
 - Distinguishing Credible Sources
- 13. Promoting Lifelong Learning
 - Utilizing eBooks for Skill Development
 - Exploring Educational eBooks
- 14. Embracing eBook Trends
 - Integration of Multimedia Elements
 - Interactive and Gamified eBooks

Rca Valve Manual Introduction

In the digital age, access to information has become easier than ever before. The ability to download Rca Valve Manual has revolutionized the way we consume written content. Whether you are a student looking for course material, an avid reader searching for your next favorite book, or a professional seeking research papers, the option to download Rca Valve Manual has opened up a world of possibilities. Downloading Rca Valve Manual provides numerous advantages over physical copies of books and documents. Firstly, it is incredibly convenient. Gone are the days of carrying around heavy textbooks or bulky folders filled with papers. With the click of a button, you can gain immediate access to valuable resources on any device. This convenience allows for efficient studying, researching, and reading on the go. Moreover, the cost-effective nature of downloading Rca Valve Manual has democratized knowledge. Traditional books and academic journals can be expensive, making it difficult for individuals with limited financial resources to access information. By offering free PDF downloads, publishers and authors are enabling a wider audience to benefit from their work. This inclusivity promotes equal opportunities for learning and personal growth. There are numerous websites and platforms where individuals can download Rca Valve Manual. These websites range from academic databases offering research papers and journals to online libraries with an expansive collection of books from various genres. Many authors and publishers also upload their work to specific websites, granting readers access to their content without any charge. These platforms not only provide access to existing literature but also serve as an excellent platform for undiscovered authors to share their work with the world. However, it is essential to be cautious while downloading Rca Valve Manual. Some websites may offer pirated or illegally obtained copies of copyrighted material. Engaging in such activities not only violates copyright laws but also undermines the efforts of authors, publishers, and researchers. To ensure ethical downloading, it is advisable to utilize reputable websites that prioritize the legal distribution of content. When downloading Rca Valve Manual, users should also consider the potential security risks associated with online platforms. Malicious actors may exploit vulnerabilities in unprotected websites to distribute malware or steal personal information. To protect themselves, individuals should ensure their devices have reliable antivirus software installed and validate the legitimacy of the websites they are downloading from. In conclusion, the ability to download Rca Valve Manual has transformed the way we access information. With the convenience, cost-effectiveness, and accessibility it offers, free PDF downloads have become a popular choice for students, researchers, and book lovers worldwide. However, it is crucial to engage in ethical downloading practices and prioritize personal security when utilizing online platforms. By doing so, individuals can make the most of the vast array of free PDF resources available and embark on a journey of continuous learning and intellectual growth.

FAQs About Rca Valve Manual Books

How do I know which eBook platform is the best for me? Finding the best eBook platform depends on your reading preferences and device compatibility. Research different platforms, read user reviews, and explore their features before making a choice. Are free eBooks of good quality? Yes, many reputable platforms offer high-quality free eBooks, including classics and public domain works. However, make sure to verify the source to ensure the eBook credibility. Can I read eBooks without an eReader? Absolutely! Most eBook platforms offer webbased readers or mobile apps that allow you to read eBooks on your computer, tablet, or smartphone. How do I avoid digital eye strain while reading eBooks? To prevent digital eye strain, take regular breaks, adjust the font size and background color, and ensure proper lighting while reading eBooks. What the advantage of interactive eBooks? Interactive eBooks incorporate multimedia elements, quizzes, and activities, enhancing the reader engagement and providing a more immersive learning experience. Rca Valve Manual is one of the best book in our library for free trial. We provide copy of Rca Valve Manual in digital format, so the resources that you find are reliable. There are also many Ebooks of related with Rca Valve Manual. Where to download Rca Valve Manual online for free? Are you looking for Rca Valve Manual PDF? This is definitely going to save you time and cash in something you should think about. If you trying to find then search around for online. Without a doubt there are numerous these available and many of them have the freedom. However without doubt you receive whatever you purchase. An alternate way to get ideas is always to check another Rca Valve Manual. This method for see exactly what may be included and adopt these ideas to your book. This site will almost certainly help you save time and effort, money and stress. If you are looking for free books then you really should consider finding to assist you try this. Several of Rca Valve Manual are for sale to free while some are payable. If you arent sure if the books you would like to download works with for usage along with your computer, it is possible to download free trials. The free guides make it easy for someone to free access online library for download books to your device. You can get free download on free trial for lots of books categories. Our library is the biggest of these that have literally hundreds of thousands of different products categories represented. You will also see that there are specific sites catered to different product types or categories, brands or niches related with Rca Valve Manual. So depending on what exactly you are searching, you will be able to choose e books to suit your own need. Need to access completely for Campbell Biology Seventh Edition book? Access Ebook without any digging. And by having access to our ebook online or by storing it on your computer, you have convenient answers with Rca Valve Manual To get started finding Rca Valve Manual, you are right to find our website which has a comprehensive collection of books online. Our library is the biggest of these that have literally hundreds of thousands of different products represented. You will also see that there are specific sites catered to different categories or niches related with Rca Valve Manual So depending on what exactly you are searching, you will be able to choose ebook to suit your own need. Thank you for reading Rca Valve Manual. Maybe you have knowledge that,

people have search numerous times for their favorite readings like this Rca Valve Manual, but end up in harmful downloads. Rather than reading a good book with a cup of coffee in the afternoon, instead they juggled with some harmful bugs inside their laptop. Rca Valve Manual is available in our book collection an online access to it is set as public so you can download it instantly. Our digital library spans in multiple locations, allowing you to get the most less latency time to download any of our books like this one. Merely said, Rca Valve Manual is universally compatible with any devices to read.

Find Rca Valve Manual :

~~samsung ml 1510 service manual~~

~~samsung sgh n288aa cell phones accessory owners manual~~

~~samsung rfg298 service manual~~

~~samsung p29 service manual~~

~~samsung note user manual~~

~~samsung manual roam~~

~~samsung plasma tv manual~~

~~samsung ps 42c7hd plasma tv service manual~~

~~samsung rogue manual~~

samsung scc c6403p service manual repair guide

~~samsung phone user guides~~

~~samsung lcd tv series 4 450 manual~~

~~samsung ln40a550 user guide~~

~~samsung messenger touch user guide~~

samsung omina i9manual

Rca Valve Manual :

julius caesar workbook solutions icse class 9 summary answers - Aug 04 2022

web leave a comment get notes workbook solutions summary questions and answers and pdf of the drama play julius caesar by william shakespeare which is part of icse class 9 english however the notes should only be treated for references and changes should be made according to the needs of the students select scene act 1 workbook solutions

julius caesar full play quiz quick quiz sparknotes - Aug 16 2023

web test your knowledge on all of julius caesar perfect prep for julius caesar quizzes and tests you might have in school

julius caesar act 2 quiz quizalize - Dec 28 2021

web quiz your students on julius caesar act 2 quiz practice problems using our fun classroom quiz game quizalize and personalize your teaching our brand new solo games combine with your quiz on the same screen correct quiz answers unlock more play teachers explore our epic whole class team games here

julius caesar quiz history hit - Jan 29 2022

web jan 1 2020 we invite you to test your knowledge on julius caesar quiz julius caesar which military decoration did caesar win for his part in the siege of mytilene vallary crown civic crown grass crown naval crown if you enjoyed this quiz and would like to try some more you can view our full set of quizzes here enjoy our range of ancient rome

julius caesar final exam flashcards quizlet - Jan 09 2023

web julius caesar final exam 92 terms volleyballgirl the iliad final test 86 terms kaleighandrews rhetorical strategies for final 28 terms damarisoakes ch 26 and 27 ap euro 168 terms verified answer spanish complete las siguientes oraciones seleccionando la s palabra s de la lista si es necesario conjugue los verbos

play julius caesar quiz print these test questions and answers - Mar 31 2022

web info below contains julius caesar questions and answers you are currently in the arts and literature question answers quizzes section quiz global also has many multiple choice tests which are available to play here

julius caesar flashcards test questions and answers studyhippo - Jul 03 2022

web julius caesar flashcards test questions and answers discover flashcards test exam answers and assignments to help you learn more about julius caesar and other subjects don t miss the chance to use them for more effective college education

julius caesar questions answers sparknotes - Apr 12 2023

web infographic plus style questions answers what are flavius and murellus angry about at the beginning of the play why does caesar decide to go to the senate despite his wife s warnings how does cassius die was assassinating caesar the right decision why does cassius hate caesar what is the significance of the comet

julius caesar quiz shakespeare birthplace trust - May 01 2022

web julius caesar quiz a midsummer night s dream quiz much ado about nothing quiz romeo and juliet quiz the tempest quiz work your way through our multiple choice questions and then follow the link to check your score scroll down to

julius caesar help review final exam study com - Jul 15 2023

web test and improve your knowledge of julius caesar help review with fun multiple choice exams you can take online with study com

julius caesar workbook answers shouttolearn - Feb 10 2023

web home julius caesar workbook answers julius caesar question answers get the complete workbook solution of julius caesar of morning star publication here all act and scene question answers are covered keeping in mind the marking scheme of the board so that student score maximum marks in their exams

julius caesar quiz questions and answers proprofs quiz - Nov 07 2022

web mar 22 2023 do you know about the famous plays written by william shakespeare julius caesar was one of his popular plays this julius caesar quiz is designed to assess the first half of william shakespeare s julius caesar since you are here it is assumed that you must have read seen or experienced the play even if you haven t it s okay

julius caesar test flashcards quizlet - Jun 14 2023

web 1 63 flashcards learn test match q chat beta created by amyabaxley terms in this set 63 after caesar s death the second triumvirate is composed of whom octavius lepidus and antony why does antony disapprove of lepidus he doesn t think he s worthy or smart enough why are brutus and cassius upset with each other

julius caesar test flashcards quizlet - May 13 2023

web study with quizlet and memorize flashcards containing terms like who was the last person to stab caesar how had a bad dream about their husband dying in a fountain of blood who scolded their workers when they took a day off to celebrate caesars victory over

julius caesar workbook answers jk academy - Oct 06 2022

web julius caesar workbook answers solution for julius caesar workbook by morning star julius caesar workbook answers by morning star here the students will find the answers to the workbook written by xavier pinto and published by morning star act 1

julius caesar act iii scenes 2 and 3 questions and answers - Feb 27 2022

web may 5 2015 answers 1 caesar was ambitious and brutus says he killed him because he loved rome more than caesar 2 they want to erect statues in his honor and make him king 3 caesar was too sensitive and

julius caesar questions and answers enotes com - Mar 11 2023

web julius caesar questions and answers what is the dramatic significance of the opening scene of julius caesar does the opening scene of julius caesar strike the keynote of the whole play

julius caesar quizzes test your knowledge enotes com - Sep 05 2022

web test your knowledge of william shakespeare s julius caesar by taking one of our user contributed quizzes each quiz is multiple choice and includes questions on plot points themes and

julius caesar quizzes gradesaver - Dec 08 2022

web buy study guide julius caesar quiz 1 1 at the opening of the play what are the plebeians celebrating caesar s victory over

pompey caesar becoming king octavius victory over brutus caesar s marriage to calpurnia 2 the plebeians are relatives of caesar members of the lower classes the ruling class of rome elected officials in the roman senate

julius caesar study questions with detailed answers shakespeare online - Jun 02 2022

web quiz search julius caesar study questions with answers act 1 1 why are the tribunes flavius and marullus so upset at the opening of the play

kerosene wikipedia - Aug 16 2023

web a kerosene bottle containing blue dyed kerosene kerosene or paraffin is a combustible hydrocarbon liquid which is derived from petroleum it is widely used as a fuel in aviation as well as households

tureng kerosene türkçe İngilizce sözlük - May 13 2023

web kerosene i gazyağı 2 genel kerosene i parafin 3 genel kerosene i taşıyağı 4 genel kerosene i gaz technical 5 teknik kerosene i gazyağı 6 teknik kerosene i gaz yağı 7 teknik kerosene i kerosen 8 teknik kerosene i lamba petrolü 9 teknik kerosene i mineral jöle 10 teknik kerosene i mineral yağ 11

kerosene an overview sciencedirect topics - Jan 09 2023

web kerosene 8008 20 6 originally used for lighting and heating is also used as a diesel fuel as a component in blending aviation fuels as a solvent kerosene may enter the water or soil environment as a result of regular use e g evaporation of pesticide solvent from spills during use or transportation or from leaking storage facilities

what s the difference between gasoline kerosene diesel etc - Mar 11 2023

web mar 30 2021 kerosene is mainly used in furnaces domestic heaters and kerosene lamps it is also used as fuel for jet engine components and to dissolve pesticides and greases

kerosene cambridge İngilizce sözlüğü ndeki anlamı - Nov 07 2022

web kerosene anlam tanım kerosene nedir 1 a clear liquid with a strong smell made from coal or petroleum and used as a fuel in jet engines daha fazlasını öğren sözlük

kerosene definition uses facts britannica - Jun 14 2023

web sep 8 2023 kerosene flammable hydrocarbon liquid commonly used as a fuel it is obtained from petroleum and used for burning in kerosene lamps and domestic heaters or furnaces as a fuel or fuel component for jet engines and

[kerosene a review of household uses and their](#) - Dec 08 2022

web this review focuses on household kerosene uses mainly in developing countries their associated emissions and their hazards kerosene is often advocated as a cleaner alternative to solid fuels biomass and coal for cooking and kerosene lamps are frequently used when electricity is unavailable

[kerosen wikipedi](#) - Apr 12 2023

web kerosen kerosen genellikle sanayide kullanılan bir petrol türevidir kerosen halk dilinde gazyağı diye geçen maddenin daha gelişmiş ve içerik olarak süzölmüş olanıdır 150 c ile 270 c arasında petrolün çok ince bir şekilde damıtılmasıyla elde edilir parlama derecesi 40 c dir petrol ürünleri içinde yer alan benzin gaz yağı motorin gibi yakıtların

crystal castles kerosene official youtube - Jul 15 2023

web nov 8 2012 music song kerosene artist crystal castles album iii licenses pi as on behalf of pi as recordings catalogue latinautor umpg ascap cmrra latinautorperf uniao brasileira de

kerosene energy education - Feb 10 2023

web kerosene tends to contain hydrocarbons that have anywhere from 11 to 13 carbons in the chains liquid kerosene fuels contain potentially harmful compounds including hexane and benzene uses kerosene is a major component of aviation fuel making up more than 60 of the fuel in addition it can be used as an oil in central heating systems and

rockschool drums debut 2012 2018 debut 2012 2018 bol com - Sep 12 2022

web rockschool drums debut 2012 2018 hardcover key features at debut backbeat 1 4 note hi hat unison bass and snare work single and double strokes rockschool drums debut 2012 2018 rockschool ltd 9781908920188 boeken bol com

rockschool drums debut 2012 2018 backing tracks available only - Aug 23 2023

web may 3 2012 rockschool drums debut 2012 2018 backing tracks available only for download various amazon co uk books *amazon co uk rockschool drums* - Nov 14 2022

web aug 29 2018 rockschool drums debut 2012 2018 backing tracks available only for download

rockschool drums debut 2018 musicroom com - Mar 18 2023

web for rockschool s 2018 2024 drums series rockschool have commissioned arrangements of titles reflecting popular music s rich heritage in all its forms and have tailored each piece to make it exactly right for the grade you can also use titles from rockschool s classics series as part of the syllabus

rockschool drums debut 2018 paperback 29 aug 2018 - Jan 16 2023

web buy rockschool drums debut 2018 by various isbn 9781912352692 from amazon s book store everyday low prices and free delivery on eligible orders

rockschool drums debut debut 2012 2018 by rockschool - Apr 07 2022

web rockschool bass debut 2012 2018 rockschool bass debut 2012 2018 skip to content due to the coronavirus disease covid 19 restrictions we are offering free delivery when you spend a minimum of 15 00 normally 199 get free delivery on all products to anywhere in ireland until further notice rockschool builds upon its 21 years of unrivalled experience

rockschool drums debut 2018 book audio drumstore gr - Mar 06 2022

web learn to play rock and pop with rockschool these specially written arrangements develop the skills and techniques you

need to help you achieve your musical goals for rockschool s 2018 2024 drums series rockschool have commissioned arrangements of titles reflecting popular music s rich

[rockschool drums debut 2018 by various goodreads](#) - May 20 2023

web aug 29 2018 for rockschool s 2018 2024 drums series rockschool have commissioned arrangements of titles reflecting popular music s rich heritage in all its forms and have tailored each piece to make it exactly right for the grade

[amazon co uk rockschool drums debut 2018](#) - Aug 11 2022

web amazon co uk rockschool drums debut 2018 skip to main content co uk delivering to london w1d 7 sign in to update your location all select the department you

rockschool drums debut 2012 2018 trax music store - Oct 13 2022

web key features at debut backbeat 1 4 note hi hat unison bass and snare work single and double strokes paradiddles one page playback skills

[rockschool drums debut 2012 presto music](#) - Jun 09 2022

web sheet music for rockschool drums debut 2012 buy online drums drums published by rock school limited

[rockschool drums debut 2012 2018 by various goodreads](#) - Jun 21 2023

web rockschool drums book read reviews from world s largest community for readers rockschool drums

drums debut 2018 2024 store rockschool asia - May 08 2022

web drums debut features 6 new arrangements of iconic rock pop and contemporary music tracks from classic and contemporary artists 6 rockschool originals the most diverse selection of contemporary music ever seen in a syllabus making the grades accessible to everyone without precluding any musical tastes

[rockschool drums debut 2018 drums sheet music](#) - Apr 19 2023

web exam material book with online audio composed 2018 rockschool rsk200060 published by rockschool bt rsk200060 isbn 9781912352692 english learn to play rock and pop with rockschool these specially written arrangements develop the skills and techniques you need to help you achieve your musical goals

[rockschool drums debut drums education](#) - Feb 05 2022

web entry level 3 rfq e3 eqf 1 niveau debut fach schlagzeug punkte 4 sprache deutsch lernmaterial interaktiv voraussetzu rockschool drums debut drums education startseite

rockschool drums debut 2018 book audio ackerman music - Jul 10 2022

web for rockschool s 2018 2024 drums series rockschool have commissioned arrangements of titles reflecting popular music s rich heritage in all its forms and have tailored each piece to make it exactly right for the grade you can also use titles from rockschool s classics series as part of the syllabus

rockschool drums debut 2018 book online audio goodreads - Feb 17 2023

web nov 1 2021 rockschool drums debut 2018 book online audio various 0 00 0ratings0reviews want to read buy on amazon rate this book 60 pages paperback published november 1 2021 about the author various 222kbooks1 147followers ratings reviews what do you think rate this book write a review

rockschool drums debut 2012 2018 yamaha music london - Jul 22 2023

web buy from yamaha s uk store free mainland uk delivery key features at debut backbeat 1 4 note hi hat unison bass and snare work single and double strokes paradiddles one page playback skills rockschool builds upon its 21 years of unrivalled experience in rock and pop examination by bringing you the 2012 2018 syllabus

rockschool drums debut 2018 various amazon com tr - Sep 24 2023

web rockschool drums debut 2018 various amazon com tr Çerez tercihlerinizi seçin alışveriş deneyiminizi geliştirmek hizmetlerimizi sunmak müşterilerin hizmetlerimizi nasıl kullandığını anlayarak iyileştirmeler yapabilmek ve tanıtımları gösterebilmek için çerezler ve benzeri araçları kullanmaktayız

rockschool drums debut 2018 presto music - Dec 15 2022

web rockschool drums debut 2018 arrangement drums drums edition information instrumental tutor publisher rock school limited catalogue number rsk200060 language english date published 31st aug 2018