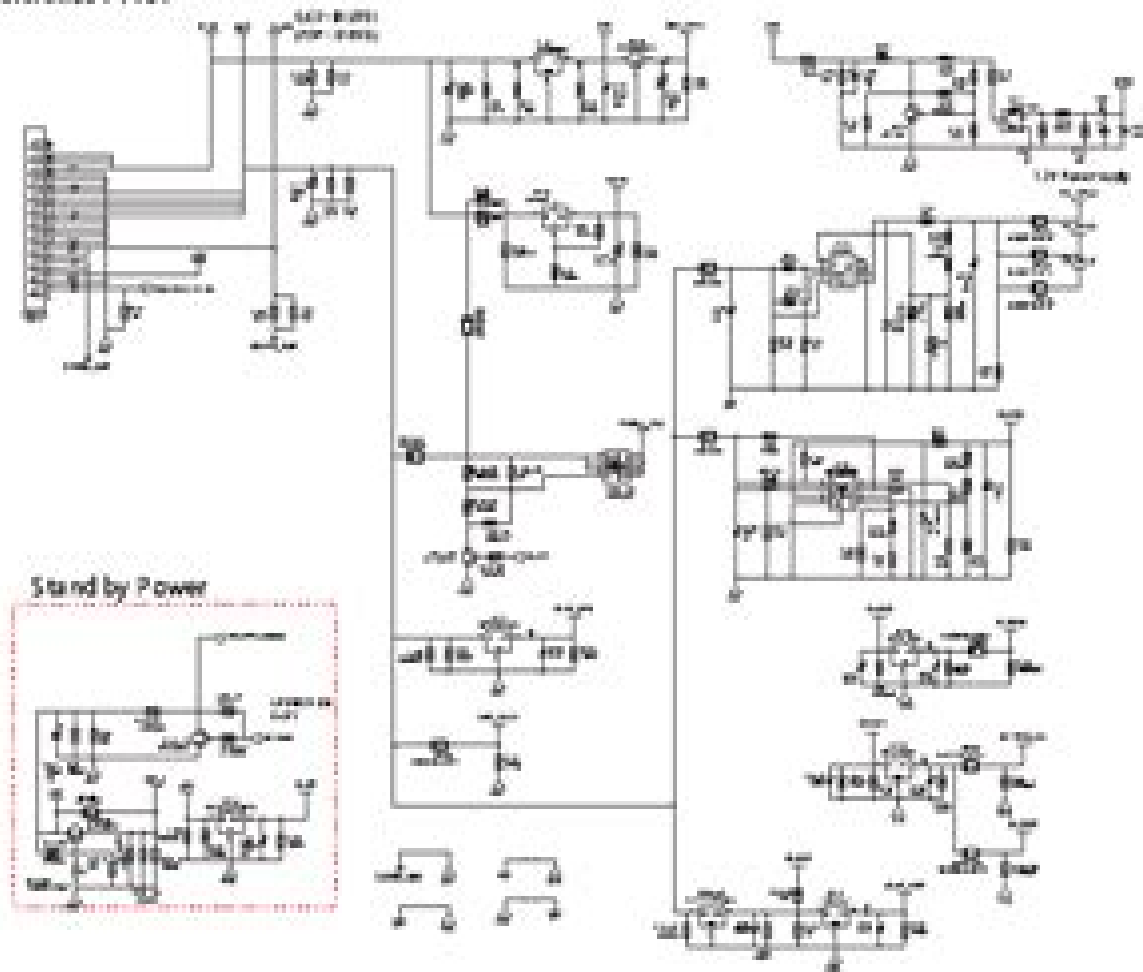


9 Schematic Diagrams

The Connector is all to and without Connector information

9-1 Stand by Power Schematic Diagram

Reference : 1101-



Samsung Le52m87bdx Manual

Clemens Wendtner



Samsung Le52m87bdx Manual:

Samsung Galaxy ,2021 **Samsung Galaxy ,2022** *Samsung QLED 4K TV User Guide* James G Carlson,2025-08-04
Your Ticket to the Ultimate Home Theater Ever bought a new TV and felt a wave of excitement only to be hit with a flood of complicated settings and features you don't understand You're not alone The new Samsung QLED 4K TV is a masterpiece of technology but its true potential remains locked away for most people What if you could unlock every feature every color and every detail transforming your viewing experience from good to absolutely breathtaking Hi I'm Alex and for over 15 years I've specialized in making complex technology simple I've seen countless people frustrated by manuals filled with jargon and confusing diagrams That's why I created this guide to be your personal expert translating every setting and feature into plain easy to understand language This isn't just another boring manual it's your shortcut to becoming a home theater pro I believe your entertainment should be effortless not a chore Unlock the True Power of Your TV This guide goes beyond the basics giving you the insider knowledge to master your new QLED TV **Mastering the Samsung S95D OLED TV Essentials Manual** Mira Callen,2025-05-02 Take Full Control of Your Samsung S95D OLED TV with Ease Whether you are setting up your new Samsung S95D OLED TV for the first time or looking to unlock its advanced features this simple and practical manual is your trusted guide Mastering the Samsung S95D OLED TV Essentials Manual helps you make the most of your home entertainment experience with clear step by step instructions designed for everyday users Discover how to optimize picture quality adjust audio settings navigate the Smart Hub use voice commands and enjoy a seamless streaming gaming and viewing experience Inside This Complete Manual Set up your TV remote Wi-Fi and external devices effortlessly Fine tune picture quality with OLED brightness contrast and HDR adjustments Install manage and customize streaming apps from the Smart Hub Use Samsung's voice controls screen mirroring and smart assistants Enhance audio with HDMI eARC and external sound systems Manage parental controls ambient mode and accessibility features Troubleshoot common issues such as no signal lagging apps or audio sync problems Perform regular maintenance firmware updates and optimize eco settings Connect your TV to smart home devices and explore cloud backup options Future proof your TV experience with expert tips on upgrades and accessories Designed to make your TV setup and daily use smooth and enjoyable this manual gives you the confidence to maximize every feature the Samsung S95D OLED TV offers This is an independent publication and is not affiliated with Samsung Electronics All trademarks belong to their respective owners [The Complete Samsung QLED 4K TV User Manual](#) Miles Carter,2025-07-06 **YOU HAD ME AT HELLO WORLD** A. EDMOND. JOHNSON,EMMA. MCCOY,NICOLE. BOX,SUSAN. GARNER,2025 **Mastering Samsung S95D OLED TV User Guide** Zara Marlowe,2025-05-04 Master Your Samsung S95D OLED TV for the Ultimate Home Theater Experience Take full control of your Samsung S95D OLED TV with this clear step by step guide designed for all users Whether you're setting up your TV for the first time or optimizing your home entertainment system this unofficial manual walks you through everything from initial

setup and picture calibration to smart features and troubleshooting With practical advice and easy to follow instructions you ll learn how to personalize your viewing experience improve picture and sound quality manage apps and integrate your TV with smart home devices Explore advanced features like Multi View voice control screen mirroring and gaming enhancements to get the most out of your S95D OLED TV Inside This Guide You Will Learn How to Set up and configure your Samsung S95D OLED TV Connect external devices and optimize network settings Adjust picture calibration for movies sports and gaming Navigate the Smart Hub download apps and access streaming services Use voice assistants SmartThings and remote features Enhance audio with eARC surround sound or soundbars Manage software updates energy saving settings and system security Troubleshoot common issues like lag app crashes and Wi Fi disconnections Designed for beginners and experienced users alike this guide helps you unlock the full potential of your Samsung S95D OLED TV transforming it into the centerpiece of your home entertainment system This independent guide is not affiliated with Samsung Electronics All trademarks and product names are the property of their respective owners

Samsung Galaxy Tab,2014 **Samsung Galaxy Manual** Russ Ware, *Samsung Galaxy J3 6 - User Guide* Samsung,2019-02-27 Printed and bound manual for the Samsung Galaxy J3 6 smartphone from 2016 Also known as the J320P *Samsung Galaxy Xcover 6 Pro* James Omoghosa Abu,2022-09-03 This book is on SAMSUNG GALAXY XCOVER 6 PRO **Samsung 860 EVO 500GB SATA 3 Internal SSD User's Manual** Samsung Jls Emaqu,2019-05-23 Unofficial User Guide Samsung 860 EVO solid state drive is the SSD to trust Based on 3D VNAND flash Samsung offers enhanced read write performance endurance and power management efficiency With multiple form factors the 860 EVO is ideal for mainstream PCs and laptops *Samsung Galaxy A14* James Omoghosa Abu,2022-09-15 **Samsung 860 EVO 500GB SATA 3 Internal SSD User's Manual** Samsung JLS,2019-05-09 Unofficial User Guide Samsung 860 EVO solid state drive is the SSD to trust Based on 3D VNAND flash Samsung offers enhanced read write performance endurance and power management efficiency With multiple form factors the 860 EVO is ideal for mainstream PCs and laptops

Galaxy S II: The Missing Manual Preston Gralla,2011-12-16 Unlock the potential of Samsung s outstanding smartphone with this jargon free guide from technology guru Preston Gralla You ll quickly learn how to shoot high res photos and HD video keep your schedule stay in touch and enjoy your favorite media Every page is packed with illustrations and valuable advice to help you get the most from the smartest phone in town The important stuff you need to know Get dialed in Learn your way around the Galaxy S II s calling and texting features Go online Browse the Web manage email and download apps with Galaxy S II s 3G 4G network or create your own hotspot Master your media Shoot and share pictures and video organize and play your music library and send it wirelessly to your TV or stereo Be entertained now Start watching movies and TV shows while they re still loading Explore the world Get news and weather find a location and navigate by GPS Check your schedule Use the convenient calendar app and sync it with your Google and Outlook calendars Preston Gralla is the author of more than 40 books including Missing Manuals on Droid X2 Xoom and Galaxy Tab He s the

editor of WindowsDevCenter.com and OnDotNet and a contributing editor to Computerworld *Samsung Galaxy A74 5g*
James Omoghosa Abu,2022-08-19 **Samsung Galaxy F63 5g** James Omoghosa Abu,2022-08-29 **Adorable Samsung**
Galaxy F51 James Omoghosa Abu,2022-08-28 This book is on ADORABLE SAMSUNG GALAXY F51 *Efficient Samsung*
Galaxy M41 Abu Omoghosa James,2022-12-11 This book is on EFFICIENT SAMSUNG GALAXY M41 *Gorgeous Samsung*
Galaxy A32 5g Abu Omoghosa James,2022-12-10 This book is on GORGEOUS SAMSUNG GALAXY A32 5G

Embark on a transformative journey with is captivating work, **Samsung Le52m87bdx Manual** . This enlightening ebook, available for download in a convenient PDF format PDF Size: , invites you to explore a world of boundless knowledge. Unleash your intellectual curiosity and discover the power of words as you dive into this riveting creation. Download now and elevate your reading experience to new heights .

<https://crm.avenza.com/files/publication/fetch.php/Samsung%20Yh%20J70sb%20Mp3%20Players%20Owners%20Manual.pdf>

Table of Contents Samsung Le52m87bdx Manual

1. Understanding the eBook Samsung Le52m87bdx Manual
 - The Rise of Digital Reading Samsung Le52m87bdx Manual
 - Advantages of eBooks Over Traditional Books
2. Identifying Samsung Le52m87bdx Manual
 - Exploring Different Genres
 - Considering Fiction vs. Non-Fiction
 - Determining Your Reading Goals
3. Choosing the Right eBook Platform
 - Popular eBook Platforms
 - Features to Look for in an Samsung Le52m87bdx Manual
 - User-Friendly Interface
4. Exploring eBook Recommendations from Samsung Le52m87bdx Manual
 - Personalized Recommendations
 - Samsung Le52m87bdx Manual User Reviews and Ratings
 - Samsung Le52m87bdx Manual and Bestseller Lists
5. Accessing Samsung Le52m87bdx Manual Free and Paid eBooks
 - Samsung Le52m87bdx Manual Public Domain eBooks
 - Samsung Le52m87bdx Manual eBook Subscription Services
 - Samsung Le52m87bdx Manual Budget-Friendly Options

6. Navigating Samsung Le52m87bdx Manual eBook Formats
 - ePub, PDF, MOBI, and More
 - Samsung Le52m87bdx Manual Compatibility with Devices
 - Samsung Le52m87bdx Manual Enhanced eBook Features
7. Enhancing Your Reading Experience
 - Adjustable Fonts and Text Sizes of Samsung Le52m87bdx Manual
 - Highlighting and Note-Taking Samsung Le52m87bdx Manual
 - Interactive Elements Samsung Le52m87bdx Manual
8. Staying Engaged with Samsung Le52m87bdx Manual
 - Joining Online Reading Communities
 - Participating in Virtual Book Clubs
 - Following Authors and Publishers Samsung Le52m87bdx Manual
9. Balancing eBooks and Physical Books Samsung Le52m87bdx Manual
 - Benefits of a Digital Library
 - Creating a Diverse Reading Collection Samsung Le52m87bdx Manual
10. Overcoming Reading Challenges
 - Dealing with Digital Eye Strain
 - Minimizing Distractions
 - Managing Screen Time
11. Cultivating a Reading Routine Samsung Le52m87bdx Manual
 - Setting Reading Goals Samsung Le52m87bdx Manual
 - Carving Out Dedicated Reading Time
12. Sourcing Reliable Information of Samsung Le52m87bdx Manual
 - Fact-Checking eBook Content of Samsung Le52m87bdx Manual
 - Distinguishing Credible Sources
13. Promoting Lifelong Learning
 - Utilizing eBooks for Skill Development
 - Exploring Educational eBooks
14. Embracing eBook Trends
 - Integration of Multimedia Elements

- Interactive and Gamified eBooks

Samsung Le52m87bdx Manual Introduction

Samsung Le52m87bdx Manual Offers over 60,000 free eBooks, including many classics that are in the public domain. Open Library: Provides access to over 1 million free eBooks, including classic literature and contemporary works. Samsung Le52m87bdx Manual Offers a vast collection of books, some of which are available for free as PDF downloads, particularly older books in the public domain. Samsung Le52m87bdx Manual : This website hosts a vast collection of scientific articles, books, and textbooks. While it operates in a legal gray area due to copyright issues, its a popular resource for finding various publications. Internet Archive for Samsung Le52m87bdx Manual : Has an extensive collection of digital content, including books, articles, videos, and more. It has a massive library of free downloadable books. Free-eBooks Samsung Le52m87bdx Manual Offers a diverse range of free eBooks across various genres. Samsung Le52m87bdx Manual Focuses mainly on educational books, textbooks, and business books. It offers free PDF downloads for educational purposes. Samsung Le52m87bdx Manual Provides a large selection of free eBooks in different genres, which are available for download in various formats, including PDF. Finding specific Samsung Le52m87bdx Manual, especially related to Samsung Le52m87bdx Manual, might be challenging as theyre often artistic creations rather than practical blueprints. However, you can explore the following steps to search for or create your own Online Searches: Look for websites, forums, or blogs dedicated to Samsung Le52m87bdx Manual, Sometimes enthusiasts share their designs or concepts in PDF format. Books and Magazines Some Samsung Le52m87bdx Manual books or magazines might include. Look for these in online stores or libraries. Remember that while Samsung Le52m87bdx Manual, sharing copyrighted material without permission is not legal. Always ensure youre either creating your own or obtaining them from legitimate sources that allow sharing and downloading. Library Check if your local library offers eBook lending services. Many libraries have digital catalogs where you can borrow Samsung Le52m87bdx Manual eBooks for free, including popular titles. Online Retailers: Websites like Amazon, Google Books, or Apple Books often sell eBooks. Sometimes, authors or publishers offer promotions or free periods for certain books. Authors Website Occasionally, authors provide excerpts or short stories for free on their websites. While this might not be the Samsung Le52m87bdx Manual full book , it can give you a taste of the authors writing style. Subscription Services Platforms like Kindle Unlimited or Scribd offer subscription-based access to a wide range of Samsung Le52m87bdx Manual eBooks, including some popular titles.

FAQs About Samsung Le52m87bdx Manual Books

How do I know which eBook platform is the best for me? Finding the best eBook platform depends on your reading preferences and device compatibility. Research different platforms, read user reviews, and explore their features before making a choice. Are free eBooks of good quality? Yes, many reputable platforms offer high-quality free eBooks, including classics and public domain works. However, make sure to verify the source to ensure the eBook credibility. Can I read eBooks without an eReader? Absolutely! Most eBook platforms offer webbased readers or mobile apps that allow you to read eBooks on your computer, tablet, or smartphone. How do I avoid digital eye strain while reading eBooks? To prevent digital eye strain, take regular breaks, adjust the font size and background color, and ensure proper lighting while reading eBooks. What the advantage of interactive eBooks? Interactive eBooks incorporate multimedia elements, quizzes, and activities, enhancing the reader engagement and providing a more immersive learning experience. Samsung Le52m87bdx Manual is one of the best book in our library for free trial. We provide copy of Samsung Le52m87bdx Manual in digital format, so the resources that you find are reliable. There are also many Ebooks of related with Samsung Le52m87bdx Manual. Where to download Samsung Le52m87bdx Manual online for free? Are you looking for Samsung Le52m87bdx Manual PDF? This is definitely going to save you time and cash in something you should think about. If you trying to find then search around for online. Without a doubt there are numerous these available and many of them have the freedom. However without doubt you receive whatever you purchase. An alternate way to get ideas is always to check another Samsung Le52m87bdx Manual. This method for see exactly what may be included and adopt these ideas to your book. This site will almost certainly help you save time and effort, money and stress. If you are looking for free books then you really should consider finding to assist you try this. Several of Samsung Le52m87bdx Manual are for sale to free while some are payable. If you arent sure if the books you would like to download works with for usage along with your computer, it is possible to download free trials. The free guides make it easy for someone to free access online library for download books to your device. You can get free download on free trial for lots of books categories. Our library is the biggest of these that have literally hundreds of thousands of different products categories represented. You will also see that there are specific sites catered to different product types or categories, brands or niches related with Samsung Le52m87bdx Manual. So depending on what exactly you are searching, you will be able to choose e books to suit your own need. Need to access completely for Campbell Biology Seventh Edition book? Access Ebook without any digging. And by having access to our ebook online or by storing it on your computer, you have convenient answers with Samsung Le52m87bdx Manual To get started finding Samsung Le52m87bdx Manual, you are right to find our website which has a comprehensive collection of books online. Our library is the biggest of these that have literally hundreds of thousands of different products represented. You will also see that there are specific sites catered to different categories or niches related with Samsung Le52m87bdx Manual So depending on what exactly you are searching,

you will be able to choose ebook to suit your own need. Thank you for reading Samsung Le52m87bdx Manual. Maybe you have knowledge that, people have search numerous times for their favorite readings like this Samsung Le52m87bdx Manual, but end up in harmful downloads. Rather than reading a good book with a cup of coffee in the afternoon, instead they juggled with some harmful bugs inside their laptop. Samsung Le52m87bdx Manual is available in our book collection an online access to it is set as public so you can download it instantly. Our digital library spans in multiple locations, allowing you to get the most less latency time to download any of our books like this one. Merely said, Samsung Le52m87bdx Manual is universally compatible with any devices to read.

Find Samsung Le52m87bdx Manual :

samsung yh j70sb mp3 players owners manual

samsung wheel loader service manual

sansui au390 user guide

sanford guide iphone

samsung sp p400b service manual repair guide

san jose sky adventure travel guide

samsung syncmaster 275t plus service manual repair guide

samsung tv ln t3242h user manual

sanjib Kapoor recipe

samsung tv manual le32s73bd

samsung wave 2 pro cell phones accessory owners manual

samsung track my repair

sanyo khs3632 manual

sandf salary adjustment for 2014

sanyo cmh1972 cmh2472 cmh3172 service manual

Samsung Le52m87bdx Manual :

The Theatre Experience, 12th Edition The re-imagined twelfth edition of The Theatre Experience is students' ticket to the best seat in the house. From Broadway to makeshift theater spaces ... The Theatre Experience, 12th Edition - Wilson, Edwin Wilson, Edwin ... The re-imagined twelfth edition of The Theatre Experience is students' ticket to the best seat in the house.

From Broadway to makeshift theater ... The Theatre Experience by Wilson, Edwin 12th (twelfth) ... The Theatre Experience by Wilson, Edwin 12th (twelfth) Edition [Paperback(2010)] [AA] on Amazon.com. *FREE* shipping on qualifying offers. The Theatre Experience, 12th Edition by Wilson ... The Theatre Experience, 12th Edition by Wilson, Edwin ; ISBN. 0073382191 ; Publication Year. 2010 ; Accurate description. 4.8 ; Reasonable shipping cost. 4.6. The Theatre Experience | Rent | 9780073382197 Rent The Theatre Experience 12th edition (978-0073382197) today, or search our site for other textbooks by Edwin Wilson. Every textbook comes with a 21 ... The Theatre Experience 12th Edition by Wilson ISBN: 9780073382197 - 12th Edition. - Softcover - McGraw Hill, USA - 2011 - Condition: New - This book is in NEW CONDITION! Multiple copies available this ... Audiobook: The Theatre Experience by Edwin Wilson The re-imagined twelfth edition of The Theatre Experience is students' ticket to the best seat in the house. From Broadway to makeshift theater spaces around the ... The theatre experience by Wilson, Edwin | Paperback ... The re-imagined twelfth edition of "The Theatre Experience" is students' ticket to the best seat in the house. From Broadway to makeshift theater spaces around ... The Theatre Experience by Edwin Wilson (2010, ... The re-imagined twelfth edition of The Theatre Experience is students' ticket to the best seat in the house. From Broadway to makeshift theater spaces around ... 9780073382197 | Theatre Experience Sep 10, 2010 — The re-imagined twelfth edition of The Theatre Experience is students' ticket to the best seat in the house. From Broadway to makeshift ... Chicken Nutrition Covers theory of poultry nutrition making it easier to recognise problems. Including info on different species, vitamins, minerals, anatomy, health and enzymes. Chicken Nutrition: A Guide for Nutritionists... by Rick Kleyn This is the most up to date, complete and practical guide to chicken nutrition that you can buy. It covers the underlying theory of poultry nutrition making ... Chicken Nutrition: A guide for nutritionists and poultry ... Oct 10, 2022 — PDF | On Oct 10, 2022, Rick Kleyn published Chicken Nutrition: A guide for nutritionists and poultry professionals | Find, read and cite all ... Chicken Nutrition: A Guide for Nutritionists and Poultry ... Chicken Nutrition: A Guide for Nutritionists and Poultry Professionals by Rick Kleyn (2013-01-01) [unknown author] on Amazon.com. Chicken Nutrition: A Guide for Nutritionists and Poultry ... This is the most up to date, complete and practical guide to chicken nutrition that you can buy. It covers the underlying theory of poultry nutrition making ... Chicken Nutrition - A Guide For Nutritionists and Poultry ... Chicken Nutrition: A Guide for Nutritionists and Poultry Professionals Alerta. by Rick Kleyn About this book: This is the most up to date, complete and ... Chicken Nutrition: A Guide for Nutritionists and Poultry ... Title, Chicken Nutrition: A Guide for Nutritionists and Poultry Professionals ; Author, Rick Kleyn ; Publisher, Context, 2013 ; ISBN, 189904342X, 9781899043422. Foreword by S Leeson · 2013 — Chicken Nutrition. A guide for nutritionists and poultry professionals. I. Kleyn, F.J.. ISBN 978-1-899043-42-2. © Context 2013. All rights ... Chicken Nutrition: A Guide for Nutritionists and Poultry ... This is the most up to date, complete and practical guide to chicken nutrition that you can buy. It covers the underlying theory of poultry nutrition making it ... Chicken nutrition : a guide for nutritionists and poultry ... Chicken nutrition : a guide for nutritionists

and poultry professionals | WorldCat.org. Writing Today (2nd Edition): 9780205210084: Johnson- ... With a clear and easy-to-read presentation, visual instruction and pedagogical support, Writing Today is a practical and useful guide to writing for college ... Writing Today (2nd Edition) by Richard Johnson-Sheehan ... Synopsis: With a clear and easy-to-read presentation, visual instruction and pedagogical support, Writing Today is a practical and useful guide to writing for ... Writing Today: Contexts and Options for the Real ... This new edition of Writing Today builds on the first edition's strengths—an emphasis on both academic and workplace writing, a straightforward voice ... Writing Today: Contexts and Options for the Real World ... Free Shipping - ISBN: 9780073533223 - 2nd Edition - Paperback - McGraw-Hill Education - 2008 - Condition: GOOD - Spine creases, wear to binding and pages ... writing today Edition and Writing Today, Brief Second Edition. Copyright © 2013, 2010 ... Needed Materials: Writing Today, paper, and a writing implement. Time: 45 minutes. Writing Today (2nd Edition) by Johnson-Sheehan, Richard, ... Writing Today (2nd Edition) by Johnson-Sheehan, Richard, Paine, Charles, Good Boo ; Book Title. Writing Today (2nd Edition) ; ISBN. 9780205210084 ; Accurate ... Writing Today [2 ed.] 007353322X, 9780073533223 Writing Today begins with a chapter helping students learn the skills they will need to thrive throughout college and co... Writing Today Brief Edition 2nd Edition 9780205230402 Book title. Writing Today Brief Edition 2nd Edition ; ISBN. 9780205230402 ; Accurate description. 4.9 ; Reasonable shipping cost. 5.0 ; Shipping speed. 5.0. Writing Today: Contexts and Options for the Real World, ... This new edition of "Writing Today" builds on the first edition's strengths an emphasis on both academic and workplace writing, a straightforward voice ... Writing Today (2nd Edition) p>With a clear and easy-to-read presentation, visual instruction and pedagogical support, <i>Writing Today</i> is a practical and useful guide to writing ...