

CLEANING THE GREASE FILTER

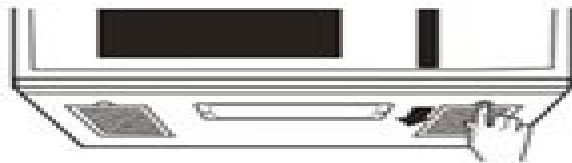
Your microwave oven has reusable grease filter. The grease filters should be removed and cleaned at least once every four months or as required.

To order a new grease filter, contact SamsungParts at 1-800-627-4368 or your Samsung dealer. You can also order online at www.samsungparts.com

 Your microwave oven has a filter reminder function. See page 10 for details.

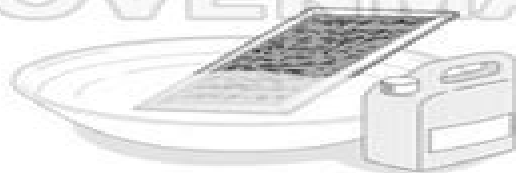
 To avoid risk of personal injury or property damage, do not operate the oven hood without the filters in place.

1. To remove the filter, slide them to the rear using the tabs, then pull down and out.



2. Soak the grease filter in hot water and a mild detergent. Rinse well and shake to dry. Brushing the filter lightly can remove embedded dirt.

 Do not use ammonia or put the grease filter in the microwave oven cavity to dry. The aluminum will darken.

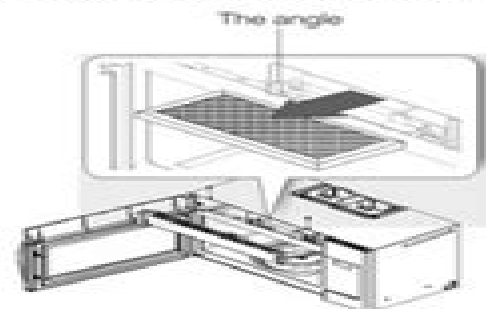


3. To re-install the filter, slide it into the frame slots on the back of each opening, and then press up and to the front to lock it.

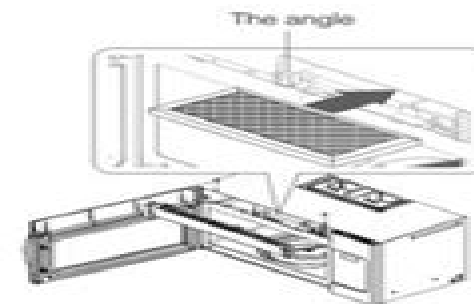
REPLACING THE CHARCOAL FILTER

If your oven is vented to the inside, the charcoal filter should be replaced every 6 to 12 months and more often if necessary. The charcoal filter cannot be cleaned. To order a new charcoal filter, contact SamsungParts at 1-800-627-4368 or your Samsung dealer. You can also order online at www.samsungparts.com

1. Unplug the oven or turn off the power at the main power supply.
2. Open the door.
3. Remove the vent grille mounting screws (2 middle screws).
4. Slide the vent grille to the left, then pull it straight out.
5. Push the hook, and then remove the old filter.



6. Slide a new charcoal filter into place. The filter should rest at the angle shown.
7. Replace the vent grille and 2 screws, and then close the door. Turn the power back on, and then set the clock.



Samsung Microwave User Manual

Tina Nupur



Samsung Microwave User Manual:

Decoding **Samsung Microwave User Manual**: Revealing the Captivating Potential of Verbal Expression

In a time characterized by interconnectedness and an insatiable thirst for knowledge, the captivating potential of verbal expression has emerged as a formidable force. Its power to evoke sentiments, stimulate introspection, and incite profound transformations is genuinely awe-inspiring. Within the pages of "**Samsung Microwave User Manual**," a mesmerizing literary creation penned by a celebrated wordsmith, readers attempt an enlightening odyssey, unraveling the intricate significance of language and its enduring affect our lives. In this appraisal, we shall explore the book is central themes, evaluate its distinctive writing style, and gauge its pervasive influence on the hearts and minds of its readership.

https://crm.avenza.com/book/detail/default.aspx/series_60_operators_guide_off_highway.pdf

Table of Contents Samsung Microwave User Manual

1. Understanding the eBook Samsung Microwave User Manual
 - The Rise of Digital Reading Samsung Microwave User Manual
 - Advantages of eBooks Over Traditional Books
2. Identifying Samsung Microwave User Manual
 - Exploring Different Genres
 - Considering Fiction vs. Non-Fiction
 - Determining Your Reading Goals
3. Choosing the Right eBook Platform
 - Popular eBook Platforms
 - Features to Look for in an Samsung Microwave User Manual
 - User-Friendly Interface
4. Exploring eBook Recommendations from Samsung Microwave User Manual
 - Personalized Recommendations
 - Samsung Microwave User Manual User Reviews and Ratings
 - Samsung Microwave User Manual and Bestseller Lists

5. Accessing Samsung Microwave User Manual Free and Paid eBooks
 - Samsung Microwave User Manual Public Domain eBooks
 - Samsung Microwave User Manual eBook Subscription Services
 - Samsung Microwave User Manual Budget-Friendly Options
6. Navigating Samsung Microwave User Manual eBook Formats
 - ePub, PDF, MOBI, and More
 - Samsung Microwave User Manual Compatibility with Devices
 - Samsung Microwave User Manual Enhanced eBook Features
7. Enhancing Your Reading Experience
 - Adjustable Fonts and Text Sizes of Samsung Microwave User Manual
 - Highlighting and Note-Taking Samsung Microwave User Manual
 - Interactive Elements Samsung Microwave User Manual
8. Staying Engaged with Samsung Microwave User Manual
 - Joining Online Reading Communities
 - Participating in Virtual Book Clubs
 - Following Authors and Publishers Samsung Microwave User Manual
9. Balancing eBooks and Physical Books Samsung Microwave User Manual
 - Benefits of a Digital Library
 - Creating a Diverse Reading Collection Samsung Microwave User Manual
10. Overcoming Reading Challenges
 - Dealing with Digital Eye Strain
 - Minimizing Distractions
 - Managing Screen Time
11. Cultivating a Reading Routine Samsung Microwave User Manual
 - Setting Reading Goals Samsung Microwave User Manual
 - Carving Out Dedicated Reading Time
12. Sourcing Reliable Information of Samsung Microwave User Manual
 - Fact-Checking eBook Content of Samsung Microwave User Manual
 - Distinguishing Credible Sources
13. Promoting Lifelong Learning

- Utilizing eBooks for Skill Development
 - Exploring Educational eBooks
14. Embracing eBook Trends
- Integration of Multimedia Elements
 - Interactive and Gamified eBooks

Samsung Microwave User Manual Introduction

Free PDF Books and Manuals for Download: Unlocking Knowledge at Your Fingertips In today's fast-paced digital age, obtaining valuable knowledge has become easier than ever. Thanks to the internet, a vast array of books and manuals are now available for free download in PDF format. Whether you are a student, professional, or simply an avid reader, this treasure trove of downloadable resources offers a wealth of information, conveniently accessible anytime, anywhere. The advent of online libraries and platforms dedicated to sharing knowledge has revolutionized the way we consume information. No longer confined to physical libraries or bookstores, readers can now access an extensive collection of digital books and manuals with just a few clicks. These resources, available in PDF, Microsoft Word, and PowerPoint formats, cater to a wide range of interests, including literature, technology, science, history, and much more. One notable platform where you can explore and download free Samsung Microwave User Manual PDF books and manuals is the internet's largest free library. Hosted online, this catalog compiles a vast assortment of documents, making it a veritable goldmine of knowledge. With its easy-to-use website interface and customizable PDF generator, this platform offers a user-friendly experience, allowing individuals to effortlessly navigate and access the information they seek. The availability of free PDF books and manuals on this platform demonstrates its commitment to democratizing education and empowering individuals with the tools needed to succeed in their chosen fields. It allows anyone, regardless of their background or financial limitations, to expand their horizons and gain insights from experts in various disciplines. One of the most significant advantages of downloading PDF books and manuals lies in their portability. Unlike physical copies, digital books can be stored and carried on a single device, such as a tablet or smartphone, saving valuable space and weight. This convenience makes it possible for readers to have their entire library at their fingertips, whether they are commuting, traveling, or simply enjoying a lazy afternoon at home. Additionally, digital files are easily searchable, enabling readers to locate specific information within seconds. With a few keystrokes, users can search for keywords, topics, or phrases, making research and finding relevant information a breeze. This efficiency saves time and effort, streamlining the learning process and allowing individuals to focus on extracting the information they need. Furthermore, the availability of free PDF books and manuals fosters a culture of continuous learning. By removing financial barriers, more people can access educational resources and pursue lifelong learning, contributing to

personal growth and professional development. This democratization of knowledge promotes intellectual curiosity and empowers individuals to become lifelong learners, promoting progress and innovation in various fields. It is worth noting that while accessing free Samsung Microwave User Manual PDF books and manuals is convenient and cost-effective, it is vital to respect copyright laws and intellectual property rights. Platforms offering free downloads often operate within legal boundaries, ensuring that the materials they provide are either in the public domain or authorized for distribution. By adhering to copyright laws, users can enjoy the benefits of free access to knowledge while supporting the authors and publishers who make these resources available. In conclusion, the availability of Samsung Microwave User Manual free PDF books and manuals for download has revolutionized the way we access and consume knowledge. With just a few clicks, individuals can explore a vast collection of resources across different disciplines, all free of charge. This accessibility empowers individuals to become lifelong learners, contributing to personal growth, professional development, and the advancement of society as a whole. So why not unlock a world of knowledge today? Start exploring the vast sea of free PDF books and manuals waiting to be discovered right at your fingertips.

FAQs About Samsung Microwave User Manual Books

How do I know which eBook platform is the best for me? Finding the best eBook platform depends on your reading preferences and device compatibility. Research different platforms, read user reviews, and explore their features before making a choice. Are free eBooks of good quality? Yes, many reputable platforms offer high-quality free eBooks, including classics and public domain works. However, make sure to verify the source to ensure the eBook credibility. Can I read eBooks without an eReader? Absolutely! Most eBook platforms offer web-based readers or mobile apps that allow you to read eBooks on your computer, tablet, or smartphone. How do I avoid digital eye strain while reading eBooks? To prevent digital eye strain, take regular breaks, adjust the font size and background color, and ensure proper lighting while reading eBooks. What the advantage of interactive eBooks? Interactive eBooks incorporate multimedia elements, quizzes, and activities, enhancing the reader engagement and providing a more immersive learning experience. Samsung Microwave User Manual is one of the best book in our library for free trial. We provide copy of Samsung Microwave User Manual in digital format, so the resources that you find are reliable. There are also many Ebooks of related with Samsung Microwave User Manual. Where to download Samsung Microwave User Manual online for free? Are you looking for Samsung Microwave User Manual PDF? This is definitely going to save you time and cash in something you should think about.

Find Samsung Microwave User Manual :

series 60 operators guide off highway

sepedi pnovember 2014 grade 10

senderos first grade unit 1

september preparatory examination economics paper 2

sennheiser hd437 headsets owners manual

sequencing cut and paste activities 2nd grade

semi truck labor guide

semiconductor devices physics and technology solution manual

self therapy for your inner critic transforming self criticism

separation process principles seader henley solution manual

service code for m4345 mfp

serie super quimica manual do mundo

service by marcus luttrell

service brakes on trucks

seminole quilt piecing

Samsung Microwave User Manual :

are you qualified to work for unicef global peace careers - Aug 09 2022

web in order to be considered for general service you have to pass the computer based global general service test this entry level test assesses competency and job related skills through work related tasks and scenarios and is administered in every official un language

hong kong committee for unicef for every child - May 06 2022

web unicef promotes the rights and well being of every child in everything we do together with our partners we work in over 190 countries and territories to translate that commitment into practical action focusing special effort on reaching the most vulnerable and excluded children to the benefit of all children everywhere for every child

get prepared unicef careers - Mar 16 2023

web unicef s competency framework establishes common standards of behaviour to guide the way we work and is based on our core values of care respect integrity trust and accountability click here to download and learn more about unicef s

competencies

[ccc institutional responsibilities humanitarian unicef](#) - Mar 04 2022

web implementing and enforcing the ccCs as the framework for preparedness and humanitarian response practising and promoting standards of behaviour based on the core values of care respect integrity trust and accountability as per unicef competency framework and as a foundation of their humanitarian leadership

[doc unicef competency framework definitions and behavioural](#) - Apr 17 2023

web unicef competency framework definitions and behavioural indicators core values ashu kunwar treats all people with dignity and respect shows respect and sensitivity towards gender cultural and religious differences challenges prejudice biases and intolerance in the workplace encourages diversity wherever possible see full pdf

vacancies unicef careers - Oct 11 2022

web nov 6 2023 national consultant to support the interministerial committee for the fight against malnutrition cilm yaounde cameroon 8 months home office based apply now unicef works in some of the world s toughest places to reach the world s most disadvantaged children to save their lives to defend their rights to help them fulfill

prepare for a competency based interview hr portal - Aug 21 2023

web prepare for a competency based interview when your career aspirations and the knowledge skills and competencies you ve built lead you to apply for a job opening you need preparation to be

[disability inclusive child protection competency framework for unicef](#) - May 18 2023

web this resource draws on the internal paper drafted by aniruddha kulkarni a competency based capacity development framework for the social service workforce for child protection 2019 and on technical support from the unicef hq disability team and inputs from cbm global inclusion

[internships unicef careers](#) - Oct 23 2023

web the unicef internship programme offers students and recent graduates from diverse academic backgrounds the opportunity to gain hands on experience with unicef through global internship opportunities interns at unicef get experiential learning opportunities in the humanitarian sector and a meaningful internship experience that will support

[demographics health infant mortality unicef data](#) - Sep 10 2022

web mics since its inception in 1995 the multiple indicator cluster surveys known as mics has become the largest source of statistically sound and internationally comparable data on women and children worldwide in countries as diverse as costa rica mali and qatar trained fieldwork teams conduct face to face interviews with household members

what we do unicef indonesia - Dec 01 2021

web since 1948 protecting the rights of every child has been at the heart of unicef s work in indonesia as a trusted partner of

government civil society and the private sector unicef is committed to doing whatever it takes to help the children in indonesia who are most at risk and most in need of assistance to survive thrive and fulfil their potential starting where

unicef competencies based inter pivotid uvu edu - Jan 02 2022

web unicef competencies based inter girls digital literacy in the east asia and pacific region spotlight reliefweb saudi national cybersecurity authority unicef sign child arab news unicef funded by daewoo e c to provide early childhood reliefweb role of socioeconomic and parental involvement factors on children nature com

reimagining life skills and citizenship education in the unicef - Jun 07 2022

web cbo community based organization ccci2 civic competence composite indicators 2 cfs child friendly schools iasc mhps inter agency standing committee on mental health and piaac programme for international assessment of adult competencies oecd pisa programme for international student assessment oecd

pdf unicef competency definitions souhae lee - Oct 31 2021

web each role in unicef will be assigned a subset of 3 5 functional competencies based on the functional area of the job all competencies are leveled in that different levels of each competency will apply to different functional areas and different levels of seniority within these functional areas

unicef competency definitions - Jul 20 2023

web there are two types of competencies that apply to unicef staff core competencies apply to all unicef staff although the expected levels of these competencies may depend on the specific job as a default the competency levels will be assigned to specific roles on the basis of the functional area and the seniority of the role

35 unicef interview questions answers - Jun 19 2023

web jan 27 2022 1st answer example 2nd answer example community answers unicef wants to hire people who have not only read and identified with the eight areas of its competency framework but can also demonstrate positive examples of utilizing them in the workplace competency 2 addresses self awareness and ethical awareness next

unicefcompetenciesbasedinter oldcove - Apr 05 2022

web manual for developing intercultural competencies deardorff darla k 2020 01 01 this book presents a structured yet flexible methodology for developing intercultural competence in a variety of contexts both formal and informal piloted around the world by unesco this methodology has proven to be effective in a range of different

unicef competency framework - Sep 22 2023

web unicef s competency framework establishes common standards of behaviour to guide the way we work and is based on our core values of care respect integrity trust and accountability building from our previous competencies this updated framework now consists of eight competencies and a set of behavioural indicators for each

[ccc global standards and principles humanitarian unicef](#) - Dec 13 2022

web practising and promoting standards of behaviour based on the core values of care respect integrity trust and accountability as per unicef competency framework and as a foundation of their humanitarian leadership

[unicef s immediate measures in response to the independent](#) - Jan 14 2023

web definition of value based competencies for all staff and providing the relevant training on the new competencies prioritization of value based leadership and management competencies for those with people management responsibilities with commensurate learning and peer support

comprehensive life skills framework unicef - Feb 15 2023

web introduction investing in the world s 1 2 billion adolescents aged 10 19 could break entrenched cycles of poverty and inequity india is home to more than 253 million adolescents caste gender poverty and location continue to pose barriers for many young people to realize their full potential

training medical students in interprofessional communication - Nov 12 2022

web nov 22 2023 progress to the next stage requires attainment of particular competencies within each stage of training further studies into the dynamics of ipc interactions assessment methods and structuring of ipc programmes are required to formulate an evidence based framework to guide the design of future ipc programmes

the gap between singapore s goals for inclusion and current - Feb 03 2022

web may 9 2019 the need to upskill the competencies of leaders across both early childhood and early intervention sectors the lack of structured and supported transition from preschool to primary school lynn ang co principal investigator and professor of early childhood at the ioe said i believe every child deserves the very best quality care and education

a conceptual framework for competencies assessment unesco - Jul 08 2022

web contribution of the competency based approach in regard to learning achievements 18 1 6 contribution of competencies in a unicef and others reflections of certain values inherent in the western democratic countries and in these intermediate levels pertain both to a certain level of contextualization and to a level of

[jimmie durham at the center of the world in the galleries](#) - Feb 28 2023

web dec 12 2017 move through the exhibition jimmie durham at the center of the world from durham s site specific sculpture in the whitney s stairwell to his enormous new work the free and the brave on the terrace

jimmie durham obituary art the guardian - Aug 25 2022

web nov 26 2021 jimmie durham s various elements from the actual world 2009 when his touring retrospective at the center of the world opened at the hammer museum los angeles in 2017

coming face to face with jimmie durham the new york times - Apr 20 2022

web nov 2 2017 art review coming face to face with jimmie durham the sculptor s retrospective at the whitney museum is a brilliant half century long act of politically driven self invention our critic

jimmie durham at the center of the world youtube - Jul 24 2022

web experience the rich range of materials and textures on display in jimmie durham at the center of the world and watch the artist take a stone to all manner

jimmie durham at the center of the world in the galleries - Jun 03 2023

web dec 13 2017 move through the exhibition jimmie durham at the center of the world from durham s site specific sculpture in the whitney s stairwell to his enormous new w

jimmie durham at the center of the world time out - Jun 22 2022

web oct 30 2017 a former member of the american indian movement durham began making art in the 80s in nyc as one of the first artists to inject identity politics into contemp

jimmie durham sculptor who explored indigenous themes - May 02 2023

web by jori finkel nov 17 2021 jimmie durham an artist celebrated for incorporating traditional native american imagery and materials into lively unconventional sculptures before his claim of

jimmie durham at the center of the world walker art center - Jan 30 2023

web jimmie durham at the center of the world is the first us retrospective of the work of one of the most compelling and multifaceted artists working internationally today

jimmie durham at the center of the world hammer museum - Sep 06 2023

web may 7 2017 artist performer poet essayist and activist jimmie durham b 1940 washington arkansas is one of the most compelling inventive and multifaceted artists working internationally today for american audiences

jimmie durham whose trenchant art needled american identity - Nov 27 2022

web nov 17 2021 in 2017 and 2018 the retrospective organized by the hammer museum in los angeles jimmie durham at the center of the world traveled to the walker art center in minneapolis new york s

jimmie durham wikipedia - May 22 2022

web jimmie bob durham july 10 1940 november 17 2021 was an american sculptor essayist and poet he was active in the united states in the civil rights movements of african americans and native americans in the 1960s and 1970s serving on the central council of the american indian movement aim he returned to working at art while living in new

jimmie durham at the center of the world the brooklyn rail - Feb 16 2022

web artseen jimmie durham at the center of the world by anthony hawley jimmie durham anti brancusi 2005 cardboard wood serpentine stone rope ink on paper 48 17 31 1/8 inches collection of michel rein paris on view the hammer museum january 29

may 7 2017 los angeles

[jimmie durham 1940 2021 tate](#) - Dec 29 2022

web in 2017 durham also had his first solo show in the united states for over two decades the survey exhibition jimmie durham at the center of the world which was organised by the hammer museum los angeles and travelled to museums across north america durham died in berlin on 17 november 2021 aged 81

director s statement jimmie durham at the center of the world - Sep 25 2022

web jimmie durham is one of the most important american artists working today since the 1970s he has made work that is insightful politically committed and often quite humorous jimmie durham at the center of the world which will allow visitors to gain a deeper understanding of his expansive practice or to discover his work for the first

jimmie durham at the center of the world artsy - Jul 04 2023

web may 7 2017 about artist performer poet essayist and activist jimmie durham b 1940 washington arkansas is one of the most compelling inventive and multifaceted artists working internationally today for american audiences however he has been an elusive figure more info filter by 9 artworks sort keyword search artists artists you follow 0

jimmie durham at the center of the world youtube - Mar 20 2022

web jimmie durham reflects on the ways self portraits both reveal and hide information and what it means to be a citizen of the world

jimmie durham at the center of the world whitney museum - Apr 01 2023

web oct 31 2017 jimmie durham at the center of the world oct 31 2017 jimmie durham reflects on the ways self portraits both reveal and hide information and what it means to be a citizen of the world related view all exhibition jimmie durham at the center of the world nov 3 2017 jan 28 2018

jimmie durham at the center of the world whitney museum - Oct 07 2023

web nov 3 2017 news artist and activist jimmie durham b 1940 has worked as a visual artist performer essayist and poet for more than forty five years a political organizer for the american indian movement during the 1970s he was an active participant in the downtown new york city artistic community in the 1980s

jimmie durham at the center of the world review the guardian - Aug 05 2023

web feb 2 2017 review jimmie durham at the center of the world review america s native son finally comes home the native american artist s most trenchant political statement remains his choice to live abroad

[jimmie durham at the center of the world whitney museum of](#) - Oct 27 2022

web jimmie durham at the center of the world is organized by the hammer museum los angeles the exhibition is made possible in part by generous support from the andy warhol foundation for the visual arts and the henry luce foundation in

new york generous endowment support is provided by the keith haring foundation exhibition fund

[page d accueil asm rugby](#) - Oct 08 2023

web asm clermont auvergne 46 14 bayonne résumé classement actualités 02 11 2023 14 18 voir toutes les actualités 31 10 2023 11 05 27 10 2023 09 14 17 10 2023 13 57 asm omnisports asm experience découvrir entrez sous la mêlée et découvrez le rugby et l asm dans un parcours ludique culturel et interactif

[asm rugby](#) - May 23 2022

web oct 20 2023 pour l asm clermont auvergne 1 falgoux 2 fainga a 3 ojovan 4 lanen 5 simmons 6 tixeront 7 dessaigne 8 timu 9 jauneau 10 urdapilleta 11 raka 12 hériveau 13 simone cap 14 delguy 15 newsome

[lyon v asm clermont auvergne rugby union bbc sport](#) - Nov 28 2022

web oct 29 2023 22 heriveau 23 slimani find out all the scorers and match details for lyon v asm clermont auvergne in the top 14 on bbc sport

[asm clermont auvergne wikipédia](#) - Apr 02 2023

web l asm clermont auvergne anciennement association sportive montferrandaise ou as montferrand est un club de rugby à xv français fondé 1911 et basé à clermont ferrand l équipe première évolue dans le top 14 et dispute régulièrement la coupe d europe

asm clermont auvergne actualité transfert mercato live rugby - Jul 05 2023

web nov 5 2023 clermont auvergne mardi 07 novembre 2023 11 36 mhr asm des auvergnats sans complexe les auvergnats arrivent sans complexe ce samedi 11 novembre à 17h00 nos cistes accueillent l asm clermont auvergne de christophe urios en pleine confiance

asm clermont rugbyrama fr - Mar 01 2023

web bézy et newsome sur le point de prolonger à clermont ferrand l asm clermont auvergne devrait officialiser la prolongation du contrat de deux de ses joueurs

[billetterie officielle asm ca](#) - Mar 21 2022

web bienvenue sur la billetterie officielle de l asm clermont auvergne

asm clermont auvergne wikiwand - Jan 31 2023

web association sportive montferrandaise clermont auvergne is a french professional rugby union club from clermont ferrand in auvergne rhône alpes that currently competes in top 14 the top level of the french league system clermont are two times french champions in 2009 10 and 2016 17

[asm rugby transfert actu asm info rugby clermont asm addict](#) - Jun 23 2022

web découvrez toute l actu de asm clermont calendrier résultats essais classement info transferts match en direct tout est

sur rugby addict

asm rugby clermont ferrand facebook - Dec 30 2022

web asm rugby clermont ferrand 265 045 j aime 10 444 en parlent 2 953 personnes étaient ici ne perdez plus de temps et créez la plus grande communauté du monde du rugby en rejoignant la page of

asm clermont auvergne fixtures clermont all rugby - Aug 26 2022

web here are results and fixtures of clermont for season 2023 2024 top 14 r1 oyonnax 36 17 clermont l top 14 r2 clermont 38 14 perpignan w top 14 r3 clermont 11 10 la rochelle w top 14 r4 lyon 41 22 clermont l top 14 r5 clermont 46 14 bayonne w top 14 r6 montpellier 11 11 clermont top 14

calendrier et classements asm rugby - Aug 06 2023

web asm clermont auvergne 30 34 castres olympique

asm clermont rugby la montagne - Sep 26 2022

web 04 11 2023 asm clermont 46 14 bayonne bordeaux bègles 26 13 montpellier oyonnax 19 17 la rochelle perpignan 26 22 toulon racing 92 22 20 lyon stade français 39 16 castres 05 11 2023

asm clermont auvergne wikipedia - Sep 07 2023

web association sportive montferrandaise clermont auvergne pronounced κλερμω ονεργη is a french professional rugby union club from clermont ferrand in auvergne rhône alpes that currently competes in top 14 the top level of the french league system clermont are two times french champions in 2009 10 and 2016 17

cybervulcans asm rugby et tous ses supporters - Jul 25 2022

web oct 22 2022 1 asm clermont vient de s imposer pour la première fois de la saison à l extérieur dans un match où les défenses ont pris le pas sur les attaques même si la rencontre a été âpre et peu rythmée nos jaunards ont livré un match sérieux et reviennent de perpignan avec la victoire

effectif asm rugby - May 03 2023

web Équipe effectif calendrier et classements statistiques

actualités asm clermont auvergne rugby - Jun 04 2023

web clermont travaille ses déplacements officiel lire la suite 07 11 2023 11 04 monsieur adrien marbot au sifflet à montpel arbitres lire la suite 04 11 2023 22 03 a la force du labeur résumé match lire la suite 04 11 2023 12 07 le centre d entraînement des jaune et bleu lire la suite 03 11 2023 17 44

asm clermont auvergne linkedin - Feb 17 2022

web l asm clermont auvergne est historiquement un véritable pilier économique en auvergne et dispose depuis 1911 d une large communauté qui dégage un fort sentiment d appartenance fort de

asm clermont auvergne clermont squad fixtures results - Oct 28 2022

web aug 19 2023 the asm clermont auvergne rugby team for season 2023 2024 the clermont team is playing in 2 championships 1 challenge cup top 14 squad

asm clermont auvergne facebook - Apr 21 2022

web asm clermont auvergne 8 051 likes 6 talking about this page pour les fans de l asm clermont auvergne suivez toute l actualité et toutes les infos sur