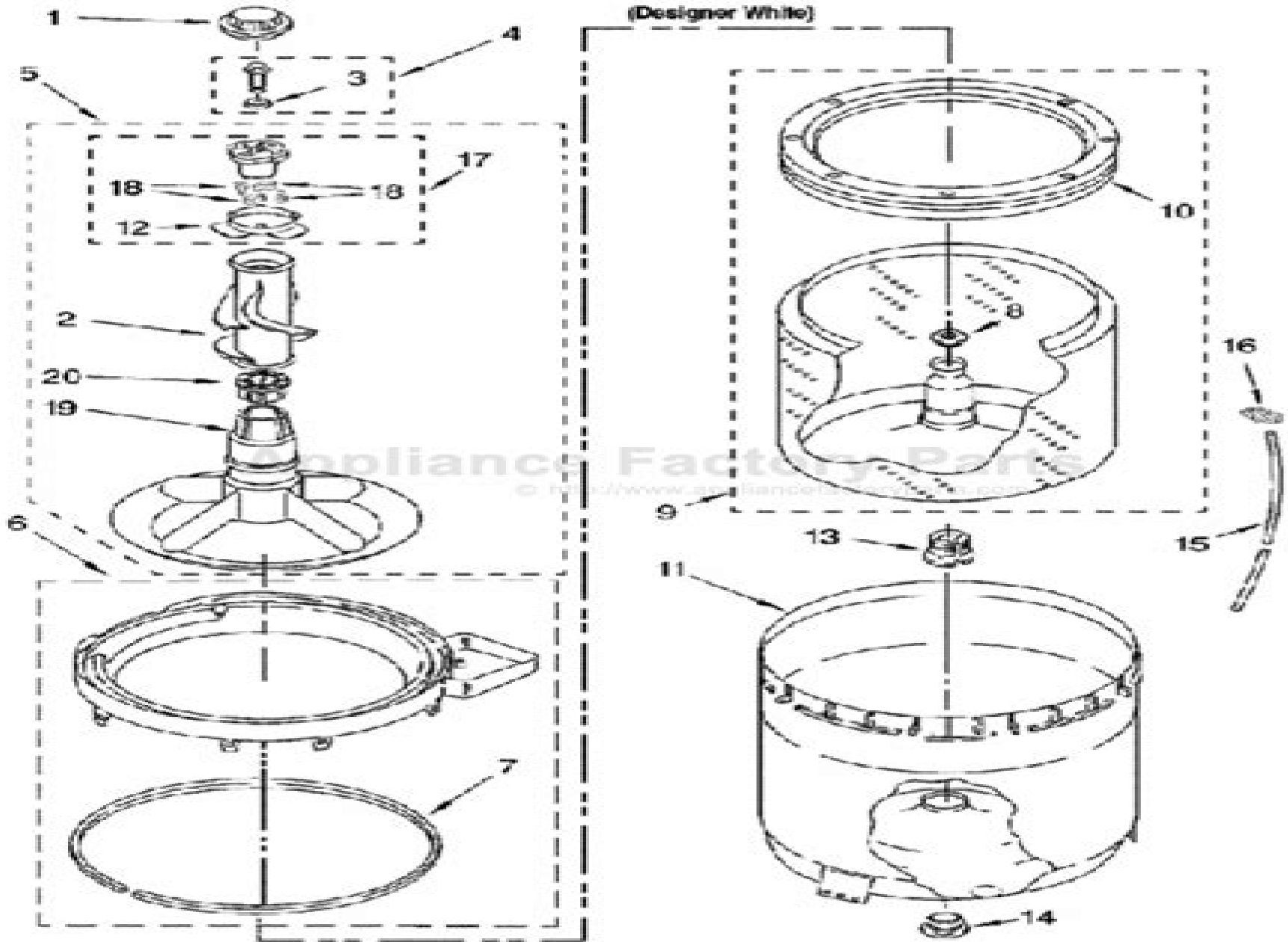


# AGITATOR, BASKET AND TUB PARTS

For Model: RTV4340SQ0

(Designer White)



# Rtw4340sq0 Owners Manual

**Helming**



## **Rtw4340sq0 Owners Manual:**

Thank you entirely much for downloading **Rtw4340sq0 Owners Manual**. Maybe you have knowledge that, people have seen numerous periods for their favorite books bearing in mind this Rtw4340sq0 Owners Manual, but stop in the works in harmful downloads.

Rather than enjoying a fine book later a cup of coffee in the afternoon, on the other hand they juggled considering some harmful virus inside their computer. **Rtw4340sq0 Owners Manual** is straightforward in our digital library an online right of entry to it is set as public consequently you can download it instantly. Our digital library saves in combined countries, allowing you to acquire the most less latency period to download any of our books similar to this one. Merely said, the Rtw4340sq0 Owners Manual is universally compatible bearing in mind any devices to read.

[https://crm.avenza.com/public/publication/Download\\_PDFS/repair\\_manual\\_for\\_low\\_slope\\_ncra.pdf](https://crm.avenza.com/public/publication/Download_PDFS/repair_manual_for_low_slope_ncra.pdf)

## **Table of Contents Rtw4340sq0 Owners Manual**

1. Understanding the eBook Rtw4340sq0 Owners Manual
  - The Rise of Digital Reading Rtw4340sq0 Owners Manual
  - Advantages of eBooks Over Traditional Books
2. Identifying Rtw4340sq0 Owners Manual
  - Exploring Different Genres
  - Considering Fiction vs. Non-Fiction
  - Determining Your Reading Goals
3. Choosing the Right eBook Platform
  - Popular eBook Platforms
  - Features to Look for in an Rtw4340sq0 Owners Manual
  - User-Friendly Interface
4. Exploring eBook Recommendations from Rtw4340sq0 Owners Manual
  - Personalized Recommendations
  - Rtw4340sq0 Owners Manual User Reviews and Ratings

- Rtw4340sq0 Owners Manual and Bestseller Lists
- 5. Accessing Rtw4340sq0 Owners Manual Free and Paid eBooks
  - Rtw4340sq0 Owners Manual Public Domain eBooks
  - Rtw4340sq0 Owners Manual eBook Subscription Services
  - Rtw4340sq0 Owners Manual Budget-Friendly Options
- 6. Navigating Rtw4340sq0 Owners Manual eBook Formats
  - ePub, PDF, MOBI, and More
  - Rtw4340sq0 Owners Manual Compatibility with Devices
  - Rtw4340sq0 Owners Manual Enhanced eBook Features
- 7. Enhancing Your Reading Experience
  - Adjustable Fonts and Text Sizes of Rtw4340sq0 Owners Manual
  - Highlighting and Note-Taking Rtw4340sq0 Owners Manual
  - Interactive Elements Rtw4340sq0 Owners Manual
- 8. Staying Engaged with Rtw4340sq0 Owners Manual
  - Joining Online Reading Communities
  - Participating in Virtual Book Clubs
  - Following Authors and Publishers Rtw4340sq0 Owners Manual
- 9. Balancing eBooks and Physical Books Rtw4340sq0 Owners Manual
  - Benefits of a Digital Library
  - Creating a Diverse Reading Collection Rtw4340sq0 Owners Manual
- 10. Overcoming Reading Challenges
  - Dealing with Digital Eye Strain
  - Minimizing Distractions
  - Managing Screen Time
- 11. Cultivating a Reading Routine Rtw4340sq0 Owners Manual
  - Setting Reading Goals Rtw4340sq0 Owners Manual
  - Carving Out Dedicated Reading Time
- 12. Sourcing Reliable Information of Rtw4340sq0 Owners Manual
  - Fact-Checking eBook Content of Rtw4340sq0 Owners Manual
  - Distinguishing Credible Sources

13. Promoting Lifelong Learning
  - Utilizing eBooks for Skill Development
  - Exploring Educational eBooks
14. Embracing eBook Trends
  - Integration of Multimedia Elements
  - Interactive and Gamified eBooks

### **Rtw4340sq0 Owners Manual Introduction**

In today's digital age, the availability of Rtw4340sq0 Owners Manual books and manuals for download has revolutionized the way we access information. Gone are the days of physically flipping through pages and carrying heavy textbooks or manuals. With just a few clicks, we can now access a wealth of knowledge from the comfort of our own homes or on the go. This article will explore the advantages of Rtw4340sq0 Owners Manual books and manuals for download, along with some popular platforms that offer these resources. One of the significant advantages of Rtw4340sq0 Owners Manual books and manuals for download is the cost-saving aspect. Traditional books and manuals can be costly, especially if you need to purchase several of them for educational or professional purposes. By accessing Rtw4340sq0 Owners Manual versions, you eliminate the need to spend money on physical copies. This not only saves you money but also reduces the environmental impact associated with book production and transportation. Furthermore, Rtw4340sq0 Owners Manual books and manuals for download are incredibly convenient. With just a computer or smartphone and an internet connection, you can access a vast library of resources on any subject imaginable. Whether you're a student looking for textbooks, a professional seeking industry-specific manuals, or someone interested in self-improvement, these digital resources provide an efficient and accessible means of acquiring knowledge. Moreover, PDF books and manuals offer a range of benefits compared to other digital formats. PDF files are designed to retain their formatting regardless of the device used to open them. This ensures that the content appears exactly as intended by the author, with no loss of formatting or missing graphics. Additionally, PDF files can be easily annotated, bookmarked, and searched for specific terms, making them highly practical for studying or referencing. When it comes to accessing Rtw4340sq0 Owners Manual books and manuals, several platforms offer an extensive collection of resources. One such platform is Project Gutenberg, a nonprofit organization that provides over 60,000 free eBooks. These books are primarily in the public domain, meaning they can be freely distributed and downloaded. Project Gutenberg offers a wide range of classic literature, making it an excellent resource for literature enthusiasts. Another popular platform for Rtw4340sq0 Owners Manual books and manuals is Open Library. Open Library is an initiative of the Internet Archive, a nonprofit organization dedicated to digitizing cultural artifacts and making them accessible to the public. Open Library hosts

millions of books, including both public domain works and contemporary titles. It also allows users to borrow digital copies of certain books for a limited period, similar to a library lending system. Additionally, many universities and educational institutions have their own digital libraries that provide free access to PDF books and manuals. These libraries often offer academic texts, research papers, and technical manuals, making them invaluable resources for students and researchers. Some notable examples include MIT OpenCourseWare, which offers free access to course materials from the Massachusetts Institute of Technology, and the Digital Public Library of America, which provides a vast collection of digitized books and historical documents. In conclusion, Rtw4340sq0 Owners Manual books and manuals for download have transformed the way we access information. They provide a cost-effective and convenient means of acquiring knowledge, offering the ability to access a vast library of resources at our fingertips. With platforms like Project Gutenberg, Open Library, and various digital libraries offered by educational institutions, we have access to an ever-expanding collection of books and manuals. Whether for educational, professional, or personal purposes, these digital resources serve as valuable tools for continuous learning and self-improvement. So why not take advantage of the vast world of Rtw4340sq0 Owners Manual books and manuals for download and embark on your journey of knowledge?

### **FAQs About Rtw4340sq0 Owners Manual Books**

How do I know which eBook platform is the best for me? Finding the best eBook platform depends on your reading preferences and device compatibility. Research different platforms, read user reviews, and explore their features before making a choice. Are free eBooks of good quality? Yes, many reputable platforms offer high-quality free eBooks, including classics and public domain works. However, make sure to verify the source to ensure the eBook credibility. Can I read eBooks without an eReader? Absolutely! Most eBook platforms offer webbased readers or mobile apps that allow you to read eBooks on your computer, tablet, or smartphone. How do I avoid digital eye strain while reading eBooks? To prevent digital eye strain, take regular breaks, adjust the font size and background color, and ensure proper lighting while reading eBooks. What the advantage of interactive eBooks? Interactive eBooks incorporate multimedia elements, quizzes, and activities, enhancing the reader engagement and providing a more immersive learning experience. Rtw4340sq0 Owners Manual is one of the best book in our library for free trial. We provide copy of Rtw4340sq0 Owners Manual in digital format, so the resources that you find are reliable. There are also many Ebooks of related with Rtw4340sq0 Owners Manual. Where to download Rtw4340sq0 Owners Manual online for free? Are you looking for Rtw4340sq0 Owners Manual PDF? This is definitely going to save you time and cash in something you should think about. If you trying to find then search around for online. Without a doubt there are numerous these available and many of them have the freedom. However without doubt you

receive whatever you purchase. An alternate way to get ideas is always to check another Rtw4340sq0 Owners Manual. This method for see exactly what may be included and adopt these ideas to your book. This site will almost certainly help you save time and effort, money and stress. If you are looking for free books then you really should consider finding to assist you try this. Several of Rtw4340sq0 Owners Manual are for sale to free while some are payable. If you arent sure if the books you would like to download works with for usage along with your computer, it is possible to download free trials. The free guides make it easy for someone to free access online library for download books to your device. You can get free download on free trial for lots of books categories. Our library is the biggest of these that have literally hundreds of thousands of different products categories represented. You will also see that there are specific sites catered to different product types or categories, brands or niches related with Rtw4340sq0 Owners Manual. So depending on what exactly you are searching, you will be able to choose e books to suit your own need. Need to access completely for Campbell Biology Seventh Edition book? Access Ebook without any digging. And by having access to our ebook online or by storing it on your computer, you have convenient answers with Rtw4340sq0 Owners Manual To get started finding Rtw4340sq0 Owners Manual, you are right to find our website which has a comprehensive collection of books online. Our library is the biggest of these that have literally hundreds of thousands of different products represented. You will also see that there are specific sites catered to different categories or niches related with Rtw4340sq0 Owners Manual So depending on what exactly you are searching, you will be able tochoose ebook to suit your own need. Thank you for reading Rtw4340sq0 Owners Manual. Maybe you have knowledge that, people have search numerous times for their favorite readings like this Rtw4340sq0 Owners Manual, but end up in harmful downloads. Rather than reading a good book with a cup of coffee in the afternoon, instead they juggled with some harmful bugs inside their laptop. Rtw4340sq0 Owners Manual is available in our book collection an online access to it is set as public so you can download it instantly. Our digital library spans in multiple locations, allowing you to get the most less latency time to download any of our books like this one. Merely said, Rtw4340sq0 Owners Manual is universally compatible with any devices to read.

### **Find Rtw4340sq0 Owners Manual :**

[repair manual for low slope ncra](#)

[\*repair manual for honda gx120 4hp\*](#)

**repair manual ktm 125**

[\*repair manual for renault megane mk2\*](#)

[repair manual husqvarna cr 125](#)

[\*repair manual nissan frontier 2015\*](#)



[repair manual nikon 70 210mm f4 0](#)

[repair outboard lower unit](#)

**repair manual for nss 3529**

**repair manual opel monza gsi**

[repair manual minnkota fortrex](#)

[repair manual isuzu trooper](#)

**repair manual for opel corsa b**

*replace starter rope tecumseh tvs90 manual*

**repair manual kubota rck60b**

### **Rtw4340sq0 Owners Manual :**

CRISC Review Manual 2014 by Isaca The CRISC Review Manual 2014 is a comprehensive reference guide designed to help individuals prepare for the CRISC exam and understand IT-related business ... CRISC Review Manual 2014 by Isaca (2014, Spiral) Diagnostic and Statistical Manual of Mental Disorders DSM-5-TR by American Psychiatric Association (2022, Trade Paperback) · \$38.00 New · \$34.99 Used ... CRISC Review Manual 2014 book by ISACA Security, Audit and Control Features SAP R/3: A Technical and Risk Management Reference Guide, 2nd Edition. ISACA. Out of Stock. CRISC Question, Answer and Explanation Manual 2014 ... Nov 15, 2013 — The CRISC Review Questions, Answers & Explanations Manual 2014 Supplement features of 100 new sample questions, answers and explanations to ... CRISC Question, Answer and Explanation Manual 2014 ... The CRISC Review Questions, Answers & Explanations Manual 2014 Supplement features of 100 new sample questions, answers and explanations to help candidates ... Crisc 2014 Manual Pdf Pdf Page 1. Crisc 2014 Manual Pdf Pdf. INTRODUCTION Crisc 2014 Manual Pdf Pdf (2023) CRISC REVIEW MANUAL 2014 By Isaca CRISC REVIEW MANUAL 2014 By Isaca ; Quantity. 1 available ; ISBN-10. 1604204273 ; Book Title. CRISC Review Manual 2014 ; Est. delivery. Mon, Nov 6 - Thu, Nov 9. Pre-Owned CRISC Review Manual 2014 (Paperback) ... Product details. CRISC Review Manual 2014 by Isaca. Title: CRISC Review Manual 2014; ISBN10: 1604204273; EAN: 9781604204278; Genre: TECHNOLOGY & ENGINEERING ... crisc CRISC REVIEW MANUAL 2014: Isaca. Stock Image. CRISC REVIEW MANUAL 2014. Isaca. ISBN 13: 9781604204278. Seller: marvin granlund. Emeryville, CA, U.S.A.. Seller ... CRISC Question, Answer and Explanation... book by ISACA Cover for "CRISC Question, Answer and Explanation Manual 2014 Supplement" ... CRISC Review Manual 2014. ISACA. from: \$31.69. Help.. Wiper Motor wire diagram - The 1947 Jun 28, 2018 — I am in the home stretch of wiring up a 66 GMC and can't figure out the windshield wiper setup. Previous shop cut, yanked, pulled all the old ... help! wiper wiring - The 1947 - Present Chevrolet & GMC ... Jan 18, 2016 — 1970 GMC Sierra Grande ... I discovered that the circuit diagram for the wiper

motor wiring is wrongly illustrated on the electrical diagram. I need a wiring diagram or a picture of how the wiper washer

Apr 13, 2019 — I need a wiring diagram or a picture of how the wiper washer wires are hooked up on a 70 c10. I have installed a - Answered by a verified ... Wiring Diagram For 1970 Chevrolet C10 Wiper Motor Pdf Wiring Diagram For 1970 Chevrolet C10 Wiper Motor Pdf. INTRODUCTION Wiring Diagram For 1970 Chevrolet C10. Wiper Motor Pdf (2023) Raingear 67-72 Chevy Pickup Wiper System Go inside the cab, reach under the dash and remove the OEM Wiper Motor. Disconnect the OEM Wiper Motor to Wiper Switch wiring. You will not reuse any of it. C10 wiper motor wiring on a non OEM switch - YouTube Wiring Diagram For 1970 Chevrolet C10 Wiper Motor (PDF) Wiring Diagram For 1970 Chevrolet C10 Wiper Motor.

1. Wiring Diagram For 1970 Chevrolet. C10 Wiper Motor. Wiring Diagram For. 1970 Chevrolet C10. Wiper Motor. Tech: Detailed Wiper Wiring Diagram May 24, 2006 — Just fust finished the wipers, in case anybody is interested I thought I'd share the diagram. The GM diagrams are a little confusing and not so ... 1970 wiper motor wiring Jun 19, 2012 — I have and 1970 #098 wiper switch and the factory ground bar. When I turn on the wipers the motor just clicks. I'm doubting that I wired it ... The School Mural Vocabulary Houghton Mifflin ... This power point introduces the vocabulary for The School Mural. The School Mural Vocabulary Houghton Mifflin Series in 2023 The School Mural Vocabulary Houghton Mifflin Series. \$3.00 · In stock. Product details. This power point introduces the vocabulary for The School Mural. The school mural The school mural. 860+ results for. Sort by: Relevance. Relevance ... : Aligning Houghton Mifflin 2nd Grade to Common Core. Created by. The Mural: Houghton Mifflin Early Success Book details · Print length. 8 pages · Language. English · Publisher. Houghton Mifflin School · Publication date. July 12, 2002 · Grade level. 2 - 3 · ISBN-10. The School Mural Hb - AbeBooks From School Library Journal: Grade 2-4AThe students in Mrs. Sanchez's class brainstorm, plan, and create a mural to celebrate their school's 50th anniversary. Houghton Mifflin Reading Leveled Readers ... Houghton Mifflin Reading Leveled Readers: Level 3.6.2 On Lvl The Mural · Buy New. \$6.19\$6.19. \$3.99 delivery: Tuesday, Dec 26. Ships from: musicogswell books & ... Making Murals Mar 6, 2009 — Help students use their knowledge of public art to visualize the topic. Build interest by asking questions such as the following: Have you ever ... HOUGHTON MIFFLIN Address requests for permission to make copies of Houghton Mifflin material to School ... A mural artist is like other artists who paint. Page 5. First, Think of ... Maybe Something Beautiful Sep 26, 2016 — Illustrated by Lopez, the master muralist himself, this joyous book celebrates the power of community; illuminates the potential of art as a ...