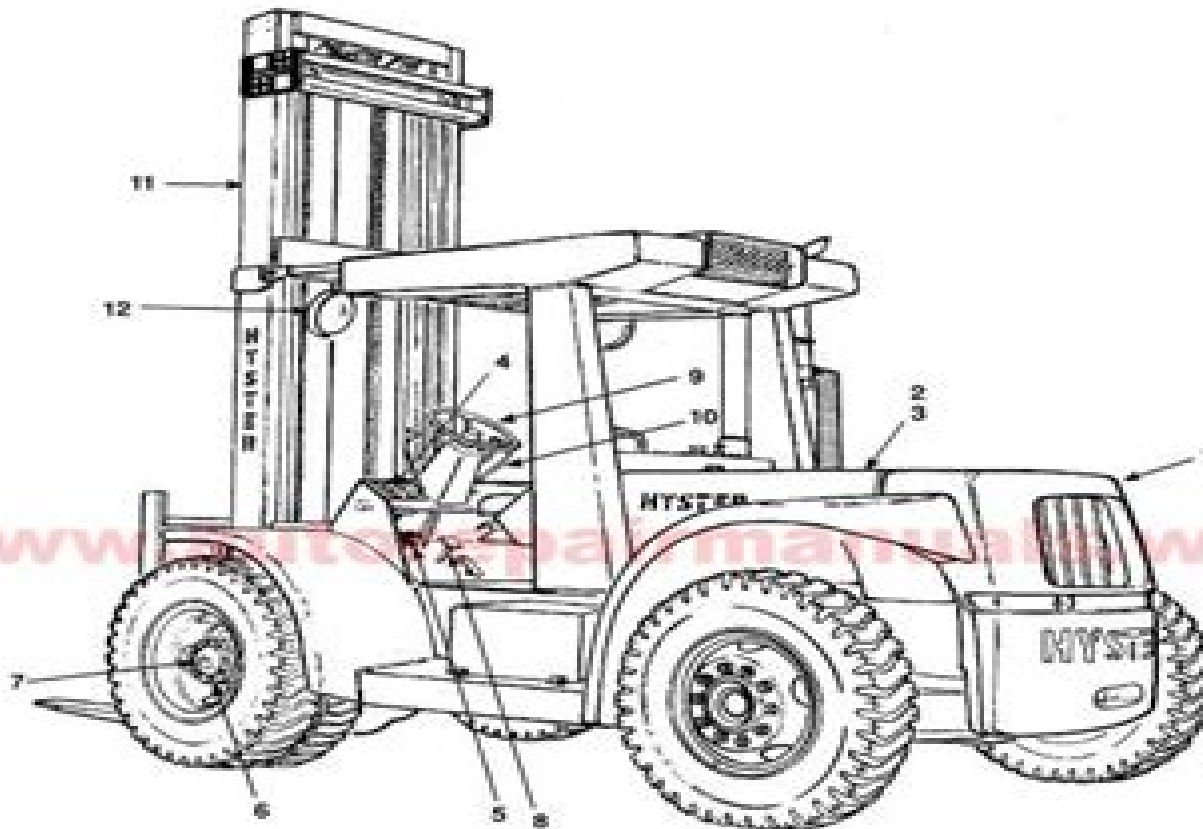


ILLUSTRATED CONTENTS



REF	SECTION	PAGE
1	FRAME	Page 3
2	ENGINE	Page 23
3	FUEL SYSTEM	Page 93
4	ELECTRICAL SYSTEM	Page 139
5	CLUTCH	Page 163
6	TRANSMISSION	Page 171
7	DRIVE AXLE	Page 209
8	BRAKE SYSTEM	Page 225
9	STEERING SYSTEM	Page 245
10	HYDRAULIC SYSTEM	Page 263
11	MAST	Page 287
12	OPTIONAL EQUIPMENT	Page 311
	NEUMATIC INFLATE	Page 324

Royal Tractor Forklift Service Manual

K Payea



Royal Tractor Forklift Service Manual:

Thank you categorically much for downloading **Royal Tractor Forklift Service Manual**. Maybe you have knowledge that, people have seen numerous periods for their favorite books subsequently this Royal Tractor Forklift Service Manual, but stop taking place in harmful downloads.

Rather than enjoying a fine eBook like a mug of coffee in the afternoon, on the other hand they juggled in imitation of some harmful virus inside their computer. **Royal Tractor Forklift Service Manual** is clear in our digital library an online admission to it is set as public suitably you can download it instantly. Our digital library saves in compound countries, allowing you to acquire the most less latency period to download any of our books with this one. Merely said, the Royal Tractor Forklift Service Manual is universally compatible gone any devices to read.

<https://crm.avenza.com/About/uploaded-files/HomePages/pontiac%20g6%20repair%20manual%20usa.pdf>

Table of Contents Royal Tractor Forklift Service Manual

1. Understanding the eBook Royal Tractor Forklift Service Manual
 - The Rise of Digital Reading Royal Tractor Forklift Service Manual
 - Advantages of eBooks Over Traditional Books
2. Identifying Royal Tractor Forklift Service Manual
 - Exploring Different Genres
 - Considering Fiction vs. Non-Fiction
 - Determining Your Reading Goals
3. Choosing the Right eBook Platform
 - Popular eBook Platforms
 - Features to Look for in an Royal Tractor Forklift Service Manual
 - User-Friendly Interface
4. Exploring eBook Recommendations from Royal Tractor Forklift Service Manual
 - Personalized Recommendations
 - Royal Tractor Forklift Service Manual User Reviews and Ratings

- Royal Tractor Forklift Service Manual and Bestseller Lists
- 5. Accessing Royal Tractor Forklift Service Manual Free and Paid eBooks
 - Royal Tractor Forklift Service Manual Public Domain eBooks
 - Royal Tractor Forklift Service Manual eBook Subscription Services
 - Royal Tractor Forklift Service Manual Budget-Friendly Options
- 6. Navigating Royal Tractor Forklift Service Manual eBook Formats
 - ePub, PDF, MOBI, and More
 - Royal Tractor Forklift Service Manual Compatibility with Devices
 - Royal Tractor Forklift Service Manual Enhanced eBook Features
- 7. Enhancing Your Reading Experience
 - Adjustable Fonts and Text Sizes of Royal Tractor Forklift Service Manual
 - Highlighting and Note-Taking Royal Tractor Forklift Service Manual
 - Interactive Elements Royal Tractor Forklift Service Manual
- 8. Staying Engaged with Royal Tractor Forklift Service Manual
 - Joining Online Reading Communities
 - Participating in Virtual Book Clubs
 - Following Authors and Publishers Royal Tractor Forklift Service Manual
- 9. Balancing eBooks and Physical Books Royal Tractor Forklift Service Manual
 - Benefits of a Digital Library
 - Creating a Diverse Reading Collection Royal Tractor Forklift Service Manual
- 10. Overcoming Reading Challenges
 - Dealing with Digital Eye Strain
 - Minimizing Distractions
 - Managing Screen Time
- 11. Cultivating a Reading Routine Royal Tractor Forklift Service Manual
 - Setting Reading Goals Royal Tractor Forklift Service Manual
 - Carving Out Dedicated Reading Time
- 12. Sourcing Reliable Information of Royal Tractor Forklift Service Manual
 - Fact-Checking eBook Content of Royal Tractor Forklift Service Manual
 - Distinguishing Credible Sources

13. Promoting Lifelong Learning
 - Utilizing eBooks for Skill Development
 - Exploring Educational eBooks
14. Embracing eBook Trends
 - Integration of Multimedia Elements
 - Interactive and Gamified eBooks

Royal Tractor Forklift Service Manual Introduction

In this digital age, the convenience of accessing information at our fingertips has become a necessity. Whether its research papers, eBooks, or user manuals, PDF files have become the preferred format for sharing and reading documents. However, the cost associated with purchasing PDF files can sometimes be a barrier for many individuals and organizations. Thankfully, there are numerous websites and platforms that allow users to download free PDF files legally. In this article, we will explore some of the best platforms to download free PDFs. One of the most popular platforms to download free PDF files is Project Gutenberg. This online library offers over 60,000 free eBooks that are in the public domain. From classic literature to historical documents, Project Gutenberg provides a wide range of PDF files that can be downloaded and enjoyed on various devices. The website is user-friendly and allows users to search for specific titles or browse through different categories. Another reliable platform for downloading Royal Tractor Forklift Service Manual free PDF files is Open Library. With its vast collection of over 1 million eBooks, Open Library has something for every reader. The website offers a seamless experience by providing options to borrow or download PDF files. Users simply need to create a free account to access this treasure trove of knowledge. Open Library also allows users to contribute by uploading and sharing their own PDF files, making it a collaborative platform for book enthusiasts. For those interested in academic resources, there are websites dedicated to providing free PDFs of research papers and scientific articles. One such website is Academia.edu, which allows researchers and scholars to share their work with a global audience. Users can download PDF files of research papers, theses, and dissertations covering a wide range of subjects. Academia.edu also provides a platform for discussions and networking within the academic community. When it comes to downloading Royal Tractor Forklift Service Manual free PDF files of magazines, brochures, and catalogs, Issuu is a popular choice. This digital publishing platform hosts a vast collection of publications from around the world. Users can search for specific titles or explore various categories and genres. Issuu offers a seamless reading experience with its user-friendly interface and allows users to download PDF files for offline reading. Apart from dedicated platforms, search engines also play a crucial role in finding free PDF files. Google, for instance, has an advanced search feature that allows users to filter results by file type. By specifying the file type as "PDF," users can find websites that

offer free PDF downloads on a specific topic. While downloading Royal Tractor Forklift Service Manual free PDF files is convenient, its important to note that copyright laws must be respected. Always ensure that the PDF files you download are legally available for free. Many authors and publishers voluntarily provide free PDF versions of their work, but its essential to be cautious and verify the authenticity of the source before downloading Royal Tractor Forklift Service Manual. In conclusion, the internet offers numerous platforms and websites that allow users to download free PDF files legally. Whether its classic literature, research papers, or magazines, there is something for everyone. The platforms mentioned in this article, such as Project Gutenberg, Open Library, Academia.edu, and Issuu, provide access to a vast collection of PDF files. However, users should always be cautious and verify the legality of the source before downloading Royal Tractor Forklift Service Manual any PDF files. With these platforms, the world of PDF downloads is just a click away.

FAQs About Royal Tractor Forklift Service Manual Books

How do I know which eBook platform is the best for me? Finding the best eBook platform depends on your reading preferences and device compatibility. Research different platforms, read user reviews, and explore their features before making a choice. Are free eBooks of good quality? Yes, many reputable platforms offer high-quality free eBooks, including classics and public domain works. However, make sure to verify the source to ensure the eBook credibility. Can I read eBooks without an eReader? Absolutely! Most eBook platforms offer webbased readers or mobile apps that allow you to read eBooks on your computer, tablet, or smartphone. How do I avoid digital eye strain while reading eBooks? To prevent digital eye strain, take regular breaks, adjust the font size and background color, and ensure proper lighting while reading eBooks. What the advantage of interactive eBooks? Interactive eBooks incorporate multimedia elements, quizzes, and activities, enhancing the reader engagement and providing a more immersive learning experience. Royal Tractor Forklift Service Manual is one of the best book in our library for free trial. We provide copy of Royal Tractor Forklift Service Manual in digital format, so the resources that you find are reliable. There are also many Ebooks of related with Royal Tractor Forklift Service Manual. Where to download Royal Tractor Forklift Service Manual online for free? Are you looking for Royal Tractor Forklift Service Manual PDF? This is definitely going to save you time and cash in something you should think about. If you trying to find then search around for online. Without a doubt there are numerous these available and many of them have the freedom. However without doubt you receive whatever you purchase. An alternate way to get ideas is always to check another Royal Tractor Forklift Service Manual. This method for see exactly what may be included and adopt these ideas to your book. This site will almost certainly help you save time and effort, money and stress. If you are looking for free books then you really should consider finding to assist you try this. Several of Royal Tractor Forklift Service Manual are for sale to free while some

are payable. If you are not sure if the books you would like to download work with for usage along with your computer, it is possible to download free trials. The free guides make it easy for someone to free access online library for download books to your device. You can get free download on free trial for lots of books categories. Our library is the biggest of these that have literally hundreds of thousands of different products categories represented. You will also see that there are specific sites catered to different product types or categories, brands or niches related with Royal Tractor Forklift Service Manual. So depending on what exactly you are searching, you will be able to choose e books to suit your own need. Need to access completely for Campbell Biology Seventh Edition book? Access Ebook without any digging. And by having access to our ebook online or by storing it on your computer, you have convenient answers with Royal Tractor Forklift Service Manual To get started finding Royal Tractor Forklift Service Manual, you are right to find our website which has a comprehensive collection of books online. Our library is the biggest of these that have literally hundreds of thousands of different products represented. You will also see that there are specific sites catered to different categories or niches related with Royal Tractor Forklift Service Manual So depending on what exactly you are searching, you will be able to choose ebook to suit your own need. Thank you for reading Royal Tractor Forklift Service Manual. Maybe you have knowledge that, people have search numerous times for their favorite readings like this Royal Tractor Forklift Service Manual, but end up in harmful downloads. Rather than reading a good book with a cup of coffee in the afternoon, instead they juggled with some harmful bugs inside their laptop. Royal Tractor Forklift Service Manual is available in our book collection an online access to it is set as public so you can download it instantly. Our digital library spans in multiple locations, allowing you to get the most less latency time to download any of our books like this one. Merely said, Royal Tractor Forklift Service Manual is universally compatible with any devices to read.

Find Royal Tractor Forklift Service Manual :

pontiac g6 repair manual usa

popcorn templates for bulletin boards

polycom 331 user manual

ponga orden en su mundo interior

polking solutions manual

pork longaniza recipe

pontiac trans am repair manual

political theory andrew heywood questions and answers

poor sailor sammy harkham

[pore minimizer recipe](#)

polio an american story

[poliomyelitis journal articles](#)

police office manual

pontiac montana v6 manual

[political science guide of class 11 neert](#)

Royal Tractor Forklift Service Manual :

[rugby südafrika nach erfolg über england erneut im wm finale](#) - Oct 30 2021

web 10 hours ago der spruch beziehe sich auf das gebiet israels vom fluss jordan bis zum mittelmeer nach pa angaben baten jüdische organisationen die justiz klarzustellen

[Über den fluss nach afrika bücher de](#) - May 17 2023

web Über den fluss nach afrika von stefanie gercke 3 5 0 bewertungen filtern weitere anzeigen overlay schließen kurze frage zu unserer seite vielen dank für ihr

[stefanie gercke Über den fluss nach afrika](#) - Jul 19 2023

web alle ihre romane erzählen von und über afrika auch in ihrem buch Über den fluß nach afrika erzählt sie wieder facettenreich und vielfältig es ist ein kennenlernen eines

Über den fluss nach afrika von stefanie gercke bücher orell - Feb 14 2023

web jun 29 2012 ein erdbeben der gefühledie junge farbige benita ist erfolgreiche investmentbankerin in london ein geheimnisvoller talisman zwingt sie sich in ihrem

Über den fluss nach afrika roman overdrive - Dec 12 2022

web Über den fluss nach afrika finden sie alle bücher von stefanie gercke bei der büchersuchmaschine eurobuch com können sie antiquarische und neubücher

Über den fluss nach afrika weltbild - Nov 30 2021

web 1 day ago nach dem angriff der hamas haben einige fußball profis ihre meinung zu israel und den palästinensischen gebieten auf social media geäußert und damit eine

Über den fluss nach afrika gercke stefanie amazon de bücher - Aug 20 2023

web ein geheimnisvoller talisman zwingt sie sich in ihrem geburtsland südafrika endlich auf die suche nach der wahrheit zu machen wer hat ihre mutter zur zeit der politischen verfolgung umgebracht

[Über den fluss nach afrika thalia at](#) - Mar 15 2023

web Über den fluss nach afrika roman stefanie gercke ebook fr 15 90 inkl gesetzl mwst versandkostenfrei 2 taschenbuch taschenbuch fr 14 90 ebook ebook fr 15 90

Über den fluss nach afrika roman kağıt kapak 2 mart 2009 - Feb 02 2022

web Über den fluss nach afrika von stefanie gercke leseprobe beauty makuba war das erste opfer am morgen des 4 novembers fiel sie mit ausgestreckten armen kopfüber in

forscher entdecken schwarzen fluss in afrika weather com - May 05 2022

web von der schultüte über den ersten stundenplan schulausflüge die besten freunde und klassenfotos alle lieb gewonnenen erinnerungen können hier festgehalten werden so

israel gaza krieg 100 000 menschen solidarisieren sich - Aug 28 2021

web der weiterführende eintrag neben fluss in afrika heißt roman von melville eintrag 254 552 der vorangegangene rätseleintrag heißt stadt auf hokkaido er startet mit

Über den fluss nach afrika stefanie gercke amazon de bücher - Sep 21 2023

web Über den fluss nach afrika stefanie gercke isbn 9783453406094 kostenloser versand für alle bücher mit versand und verkauf duch amazon

studie schwarzer fluss in afrika ist schwärzer als der rio negro - May 25 2021

Über den fluss nach afrika von stefanie gercke ebook thalia - Apr 16 2023

web jetzt online bestellen heimlieferung oder in filiale Über den fluss nach afrika roman von stefanie gercke orell füssli der buchhändler ihres vertrauens

Über den fluss nach afrika roman kindle ausgabe amazon de - Apr 23 2021

Über den fluss nach afrika vs k Über den fluss nach afrika - Jan 01 2022

web 57 minutes ago teilen titelverteidiger südafrika steht bei der rugby weltmeisterschaft erneut im endspiel die springboks setzten sich in einem dramatischen halbfinal

Über den fluss nach afrika ebook stefanie gercke bol com - Nov 11 2022

web Über den fluss nach afrika finden sie alle bücher von gercke stefanie bei der büchersuchmaschine eurobuch com können sie antiquarische und neubücher

Über den fluss nach afrika gute unterhaltung bücher für - Mar 03 2022

web besonders praktisch ist auch die möglichkeit Über den fluss nach afrika mit anderen apps und geräten zu vernetzen und so einen fließenden workflow zu schaffen 5 gründe

fußball und nahost konflikt was darf die meinungsfreiheit - Sep 28 2021

web taxi uber bus und bahn das öffentliche verkehrssystem ist in südafrika lange nicht so gut ausgebaut wie man es zum beispiel in europa kennt nichtsdestotrotz gab es in den

Über den fluss nach afrika von stefanie gercke ebook orell - Jan 13 2023

web ein erdbeben der gefühle die junge farbige benita ist erfolgreiche investmentbankerin in london ein geheimnisvoller Über den fluss nach afrika ebook stefanie gercke

Über den fluss nach afrika stefanie gercke stefanie gercke - Aug 08 2022

web jun 29 2012 Über den fluss nach afrika roman german edition kindle edition by gercke stefanie download it once and read it on your kindle device pc phones or tablets use features like bookmarks note taking and highlighting while reading

Über den fluss nach afrika roman german edition

Über den fluss nach afrika von stefanie gercke buch thalia - Jun 18 2023

web heute lebt sie abwechselnd in hamburg und südafrika alle ihre romane erzählen von und über afrika auch in ihrem buch Über den fluß nach afrika erzählt sie wieder

Über den fluss nach afrika roman amazon de bücher - Apr 04 2022

web Über den fluss nach afrika roman gercke stefanie amazon com tr Çerez tercihlerinizi seçin Çerez bildirimimizde detaylandırıldığı üzere satın alım yapmanızı sağlamak

studie afrikanischer fluss ist schwärzer als der rio negro - Jul 07 2022

web 2 days ago organische substanzen lassen so manchen fluss auf der welt dunkel wirken ein besonders schwärzliches exemplar haben forscher in afrika ausgemacht artikel

Über den fluss nach afrika roman german edition kindle edition - Jun 06 2022

web Über den fluss nach afrika roman isbn kostenloser versand für alle bücher mit versand und verkauf duch amazon *fluss in afrika 666 kreuzworträtsel lösungen* - Jun 25 2021

web ein geheimnisvoller talisman zwingt sie sich in ihrem geburtsland südafrika endlich auf die suche nach der wahrheit zu machen wer hat ihre mutter zur zeit der politischen

9783453265479 Über den fluss nach afrika gercke stefanie - Sep 09 2022

web oct 19 2023 ein bislang kaum untersuchter dschungelstrom in afrika ist nach einer studie aus zürich einer der dunkelsten schwarzwasserflüsse der welt studie

9783453406094 Über den fluss nach afrika stefanie gercke - Oct 10 2022

web Über den fluss nach afrika stefanie gercke finden sie alle bücher von stefanie gercke bei der büchersuchmaschine eurobuch com können sie antiquarische und

[taxi bus und bahn in südafrika südafrika reiseportal](#) - Jul 27 2021

web studie schwarzer fluss in afrika ist schwärzer als der rio negro aktualisiert am 19 10 2023 06 12 uhr kaum jemand kennt ihn und auch die wissenschaft hat ihn

darkroom definition usage examples dictionary com - Mar 20 2022

web darkroom definition see examples of darkroom used in a sentence

in the darkroom english edition kindle - Dec 29 2022

web jun 14 2016 in the darkroom english edition kindle edition by faludi susan download it once and read it on your kindle device pc phones or tablets use features like bookmarks note taking and highlighting while reading in the darkroom english edition

[in the darkroom english edition kindle ausgabe amazon de](#) - May 02 2023

web in the darkroom english edition ebook faludi susan amazon de kindle shop weiter ohne zu akzeptieren wählen sie ihre cookie einstellungen wir verwenden cookies und ähnliche tools die erforderlich sind um ihnen einkäufe zu ermöglichen ihr einkaufserlebnis zu verbessern und unsere dienste bereitzustellen

in the darkroom english edition kindle ausgabe amazon de - Jan 30 2023

web in the darkroom english edition ebook faludi susan amazon de kindle shop zum inhaltsinhalt wechseln de hallo lieferadresse wählen kindle shop wähle die kategorie aus in der du suchen möchtest suche amazon de de hallo anmelden konto und listen warenausgaben und bestellungen einkaufswagen

[susan faludi s in the darkroom the new york times](#) - Jul 04 2023

web jun 16 2016 stefanie is obsessed with hans christian andersen and initially in the darkroom has the otherworldly menace of a fairy tale a few months after her father re enters her life faludi visits

in the darkroom english edition format kindle amazon fr - Jul 24 2022

web achetez et téléchargez ebook in the darkroom english edition boutique kindle gender studies amazon fr

[in the darkroom english edition kindle edition amazon de](#) - Jun 03 2023

web in the darkroom english edition ebook faludi susan amazon de kindle store

the dark room on steam - Feb 16 2022

web 1 sadism with jokes 2 an addictive throwback to 1980s text adventure games 3 a one of a kind retro styled comedy puzzler that pits your pitiful brain against brutal deathtraps in the pursuit of freedom 4 an adventure with a deep hidden story you can only unlock through skill patience and exploration

in the darkroom faludi susan 9781250132697 amazon com - Aug 25 2022

web may 2 2017 susan faludi in the darkroom paperback may 2 2017 by susan faludi author 4 2 847 ratings editors pick

best biographies memoirs see all formats and editions kindle 12 99 read with our free app paperback 21 00 54 used from 1 25 8 new from 13 99 1 collectible from 9 00 great on kindle great experience

in the darkroom english edition ebook kindle amazon com br - Apr 01 2023

web compre in the darkroom english edition de faludi susan na amazon com br confira também os ebooks mais vendidos lançamentos e livros digitais exclusivos

in the darkroom english edition edición kindle amazon com mx - Sep 25 2022

web in the darkroom english edition ebook faludi susan amazon com mx tienda kindle

in the darkroom wikipedia - Oct 07 2023

web in the darkroom is a memoir by susan faludi that was first published on june 14 2016 1 the memoir centers on the life of faludi s father who came out as transgender and underwent sex reassignment surgery at the age of 76

in the dark room rotten tomatoes - May 22 2022

web the daughter of carlos the jackal takes an emotional journey beyond his myth genre documentary original language german

in the darkroom english edition uniport edu - Apr 20 2022

web aug 24 2023 now is in the darkroom english edition below light in the dark room jay prosser 2005 a young boy thin and ill feeds his small brother in a ritualized act of desperation half stifling him the boy will be treated his

in the darkroom english edition versión kindle amazon es - Feb 28 2023

web lee ahora en digital con la aplicación gratuita kindle

in the darkroom feb 14 2017 edition open library - Oct 27 2022

web feb 14 2017 in the darkroom by susan faludi feb 14 2017 harper collins edition it looks like you re offline donate

Čeština cs deutsch de english en español es français fr hrvatski hr portuguguês pt [] [] [] te Українська uk an edition of in the darkroom 2017 in the darkroom by susan faludi 0

amazon de kundenrezensionen in the darkroom english edition - Nov 27 2022

web finde hilfreiche kundenrezensionen und rezensionsbewertungen für in the darkroom english edition auf amazon de lese ehrliche und unvoreingenommene rezensionen von unseren nutzern

in to the darkroom wikipedia - Jun 22 2022

web running time 8 minutes country india language english in to the darkroom is a 2014 short fiction film that shows the glamor and then the bad side of smoking 1 the film tries to speak about the world of darkness and shadows which follows a smoker leading to a world of death the film has won several national and international awards

amazon com in the darkroom ebook faludi susan kindle store - Aug 05 2023

web jun 14 2016 in the darkroom kindle edition by susan faludi author format kindle edition 360 ratings editors pick best biographies memoirs see all formats and editions kindle 12 99 read with our free app audiobook 0 00 free with your audible trial pulitzer prize finalist one of the new york times book review s 10

in the darkroom by susan faludi goodreads - Sep 06 2023

web jun 14 2016 3 92 3 949 ratings600 reviews from the pulitzer prize winning journalist and bestselling author of backlash comes in the darkroom an astonishing confrontation with the enigma of her father and the larger riddle of identity consuming our age

cleveland clinic illustrated tips and tricks in colon and rectal - Oct 21 2022

web filled with the collective wisdom and experience of surgeons at the busiest department of colorectal surgery in the world cleveland clinic illustrated tips and tricks in colon and rectal surgery walks you step by step through each procedure with pointers given along the way as if from a trusted mentor

cleveland clinic illustrated tips and tricks in colon and medium - Jun 16 2022

web packed with the collective wisdom and experience of surgeons at the busiest department of colorectal surgery in the world cleveland clinic illustrated tips and tricks in colon and rectal surgery

cleveland clinic illustrated tips and tricks in c - Mar 14 2022

web this cleveland clinic illustrated tips and tricks in c as one of the most involved sellers here will unconditionally be in the midst of the best options to review acute leukemia ashkan emadi md phd

cleveland clinic illustrated tips and tricks in colon and rectal - Jun 28 2023

web jan 14 2020 covers surgery for anorectal disease and pelvic floor disorders surgery within the abdomen and the pelvis as well as tips for particular situations such as bowel obstruction trauma and the difficult stoma

ovid cleveland clinic illustrated tips and tricks in colon and - Aug 31 2023

web selected as a doody s core title for 2023 filled with the collective wisdom and experience of surgeons at the busiest department of colorectal surgery in the world cleveland clinic illustrated tips and tricks in colon and rectal surgery walks you step by step through each procedure with pointers given along the way as if from a trusted mentor

c programming tips and tricks better programming - Feb 10 2022

web mar 24 2021 master some of the crucial c concepts and save a few lines of code 1 include all standard libraries in one go use include bits stdc h to include all the standard libraries in your project without including all of them separately this is especially useful in a programming competition where time is precious

cleveland clinic illustrated tips and tricks in colon a - Apr 26 2023

web jan 14 2020 0 ratings0 reviews selected as a doody s core title for 2022 and 2023 filled with the collective wisdom and

experience of surgeons at the busiest department of colorectal surgery in the world cleveland clinic illustrated tips and tricks in colon and rectal surgery walks you step by step through each procedure with pointers given along

c programming tips and tricks every programmer should know - Apr 14 2022

web sep 12 2023 we ve assembled 15 cool c programming tips and tricks in this article if you are a c learning student or a c programmer then these tips are for you and can come quite handy in your work assignments we discovered some of these ideas after lots of reading and some while working

cleveland clinic illustrated tips and tricks in colon and rectal - Nov 21 2022

web jan 14 2020 filled with the collective wisdom and experience of surgeons at the busiest department of colorectal surgery in the world cleveland clinic illustrated tips and tricks in colon and rectal surgery walks you step by step through each procedure with pointers given along the way as if from a trusted mentor

cleveland clinic illustrated tips and tricks in colon and rectal - Feb 22 2023

web scott r steele 0 5 0 0 comments tips and tricks in surgery will be a series of books that offer the sort of wisdom attending surgeons pass on to residents or fellows about how to perform surgery it is patterned after the series being developed in *cleveland clinic illustrated tips and tricks in colon and rectal* - Sep 19 2022

web cleveland clinic illustrated tips and tricks in colon and rectal surgery pb 2021 9781975108250

cleveland clinic opens new research facility announces details - Jan 12 2022

web sep 28 2023 the initial facility opens this month and contains 45 000 square feet of remodeled research space in an existing building on the clinic s main campus

cleveland clinic illustrated tips and tricks in colon and rectal - Dec 23 2022

web cleveland clinic illustrated tips and tricks in colon and rectal surgery by steele scott isbn 10 1975108256 isbn 13 9781975108250 lww 2020 softcover

cleveland clinic illustrated tips and tricks in colon and medium - Jul 18 2022

web packed with the collective wisdom and experience of surgeons at the busiest department of colorectal surgery in the world cleveland clinic illustrated tips and tricks in colon and rectal surgery

cleveland clinic illustrated tips and tricks in colon and rectal - May 28 2023

web nov 18 2019 filled with the collective wisdom and experience of surgeons at the busiest department of colorectal surgery in the world cleveland clinic illustrated tips and tricks in colon and rectal surgery walks you step by step through each procedure with pointers given along the way as if from a trusted mentor

cleveland clinic illustrated tips and tricks in colon and rectal - Jan 24 2023

web filled with the collective wisdom and experience of surgeons at the busiest department of colorectal surgery in the world

cleveland clinic illustrated tips and tricks in colon and rectal surgery walks you step by step through each procedure with pointers given along the way as if from a

pdf download cleveland clinic illustrated tips and tricks in - May 16 2022

web 30 04 2021 views share embed flag pdf download cleveland clinic illustrated tips and tricks in colon and rectal surgery

cleveland clinic illustrated tips and tricks in colon and rectal - Aug 19 2022

web filled with the collective wisdom and experience of surgeons at the busiest department of colorectal surgery in the world

cleveland clinic illustrated tips and tricks in colon and rectal surgery walks you step by step through each procedure with

pointers given along the way as if from a trusted mentor you ll find a unique collection of

cleveland clinic illustrated tips and tricks in lww - Jul 30 2023

web cleveland clinic illustrated tips and tricks in colon and rectal surgery edition 1 read reviews author s scott steele isbn

issn 9781975108250 publication date january 6 2020 vitalsource interactive ebook 164 99 paperback book 164 99 selected

as a doody s core title for 2022 and 2023

cleveland clinic illustrated tips and tricks in colon and re - Mar 26 2023

web cleveland clinic illustrated tips and tricks in colon and rectal surgery goldstone robert md author information annals of surgery december 2020 volume 272 issue 6 p e333 doi 10 1097 sla 0000000000004359 buy metrics copyright 2020 wolters

kluwer health inc all rights reserved