

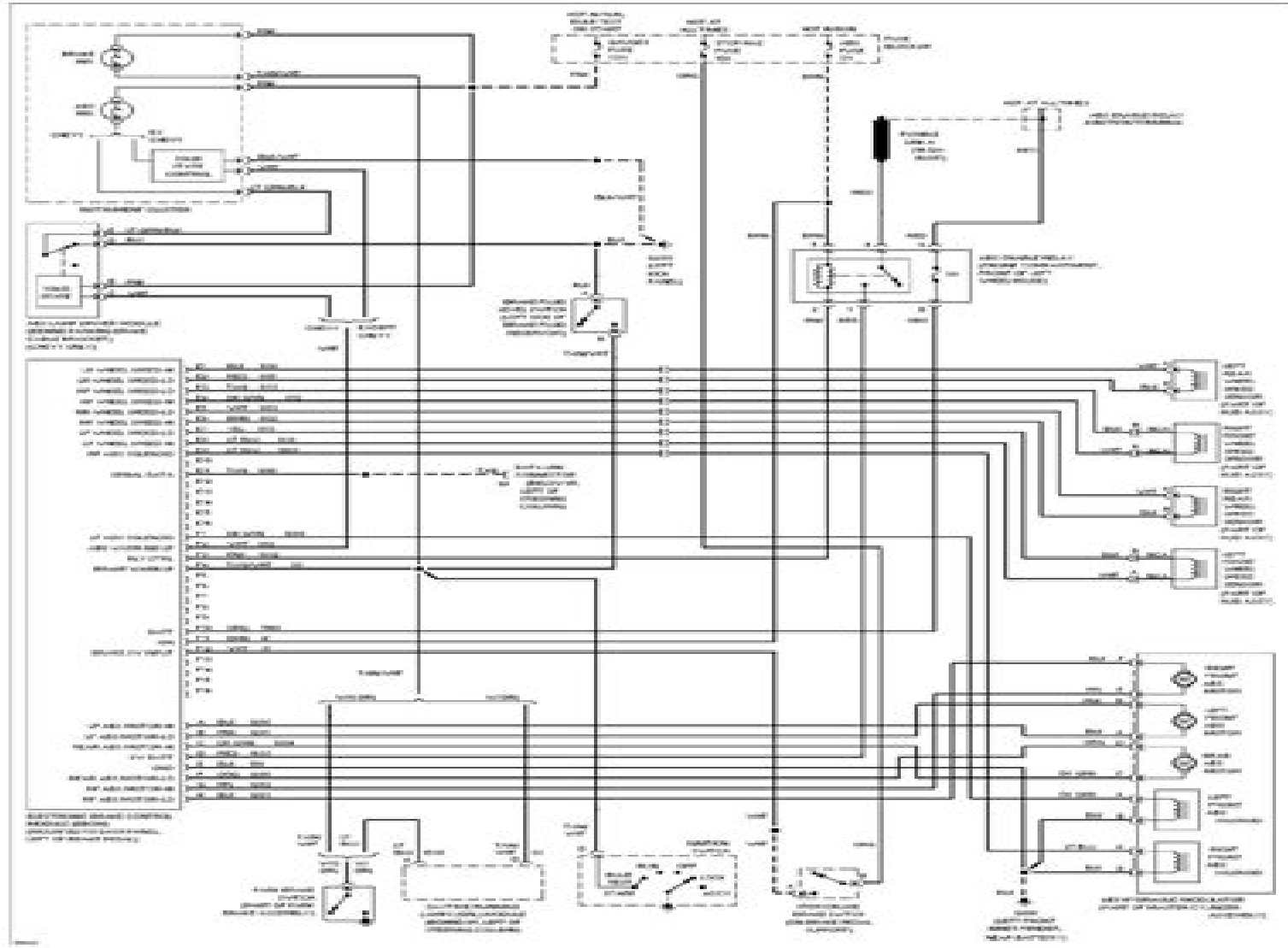
# SYSTEM WIRING DIAGRAMS

## All-Wheel ABS Circuit

### 1994 Pontiac Trans Sport

For x

Copyright © 1998 Mitchell Repair Information Company, LLC  
 Tuesday, November 16, 2004 10:30AM



# Pontiac Transport 95 Horn Wiring

**Shasha Hu**



**Pontiac Transport 95 Horn Wiring:**

**The American Contractor** ,1918      **Lemon Aid Guide 2004 Used Cars and Minivans** Phil Edmonston,2003-03  
**Montgomery Ward** Montgomery Ward,1945      **The Construction News** ,1914      **The Antique Automobile** ,1966  
Includes a tenth anniversary issue dated Nov 1945      **Harris Michigan Industrial Directory** ,1986      **Prairie Farmer**  
,1984      **Motor Sport** William Boddy,1965      D&B Million Dollar Directory ,1998      **Harris Michigan Marketers**  
**Industrial Directory** ,1986      **Million Dollar Directory** ,1994      The Continuing Study of Newspaper Reading  
Advertising Research Foundation,1939

## Whispering the Strategies of Language: An Psychological Quest through **Pontiac Transport 95 Horn Wiring**

In a digitally-driven world where monitors reign supreme and quick conversation drowns out the subtleties of language, the profound secrets and mental nuances concealed within phrases frequently go unheard. However, situated within the pages of **Pontiac Transport 95 Horn Wiring** a captivating fictional treasure pulsing with organic feelings, lies an exceptional quest waiting to be undertaken. Composed by a skilled wordsmith, this marvelous opus invites visitors on an introspective journey, softly unraveling the veiled truths and profound affect resonating within ab muscles material of each and every word. Within the psychological depths with this emotional evaluation, we shall embark upon a heartfelt exploration of the book is core subjects, dissect its fascinating writing design, and fail to the powerful resonance it evokes serious within the recesses of readers hearts.

<https://crm.avenza.com/files/detail/fetch.php/Pathfinder%20Guide%20To%20Literature.pdf>

### **Table of Contents Pontiac Transport 95 Horn Wiring**

1. Understanding the eBook Pontiac Transport 95 Horn Wiring
  - The Rise of Digital Reading Pontiac Transport 95 Horn Wiring
  - Advantages of eBooks Over Traditional Books
2. Identifying Pontiac Transport 95 Horn Wiring
  - Exploring Different Genres
  - Considering Fiction vs. Non-Fiction
  - Determining Your Reading Goals
3. Choosing the Right eBook Platform
  - Popular eBook Platforms
  - Features to Look for in an Pontiac Transport 95 Horn Wiring
  - User-Friendly Interface
4. Exploring eBook Recommendations from Pontiac Transport 95 Horn Wiring
  - Personalized Recommendations

- Pontiac Transport 95 Horn Wiring User Reviews and Ratings
- Pontiac Transport 95 Horn Wiring and Bestseller Lists
- 5. Accessing Pontiac Transport 95 Horn Wiring Free and Paid eBooks
  - Pontiac Transport 95 Horn Wiring Public Domain eBooks
  - Pontiac Transport 95 Horn Wiring eBook Subscription Services
  - Pontiac Transport 95 Horn Wiring Budget-Friendly Options
- 6. Navigating Pontiac Transport 95 Horn Wiring eBook Formats
  - ePub, PDF, MOBI, and More
  - Pontiac Transport 95 Horn Wiring Compatibility with Devices
  - Pontiac Transport 95 Horn Wiring Enhanced eBook Features
- 7. Enhancing Your Reading Experience
  - Adjustable Fonts and Text Sizes of Pontiac Transport 95 Horn Wiring
  - Highlighting and Note-Taking Pontiac Transport 95 Horn Wiring
  - Interactive Elements Pontiac Transport 95 Horn Wiring
- 8. Staying Engaged with Pontiac Transport 95 Horn Wiring
  - Joining Online Reading Communities
  - Participating in Virtual Book Clubs
  - Following Authors and Publishers Pontiac Transport 95 Horn Wiring
- 9. Balancing eBooks and Physical Books Pontiac Transport 95 Horn Wiring
  - Benefits of a Digital Library
  - Creating a Diverse Reading Collection Pontiac Transport 95 Horn Wiring
- 10. Overcoming Reading Challenges
  - Dealing with Digital Eye Strain
  - Minimizing Distractions
  - Managing Screen Time
- 11. Cultivating a Reading Routine Pontiac Transport 95 Horn Wiring
  - Setting Reading Goals Pontiac Transport 95 Horn Wiring
  - Carving Out Dedicated Reading Time
- 12. Sourcing Reliable Information of Pontiac Transport 95 Horn Wiring
  - Fact-Checking eBook Content of Pontiac Transport 95 Horn Wiring

- Distinguishing Credible Sources
- 13. Promoting Lifelong Learning
  - Utilizing eBooks for Skill Development
  - Exploring Educational eBooks
- 14. Embracing eBook Trends
  - Integration of Multimedia Elements
  - Interactive and Gamified eBooks

### **Pontiac Transport 95 Horn Wiring Introduction**

In today's digital age, the availability of Pontiac Transport 95 Horn Wiring books and manuals for download has revolutionized the way we access information. Gone are the days of physically flipping through pages and carrying heavy textbooks or manuals. With just a few clicks, we can now access a wealth of knowledge from the comfort of our own homes or on the go. This article will explore the advantages of Pontiac Transport 95 Horn Wiring books and manuals for download, along with some popular platforms that offer these resources. One of the significant advantages of Pontiac Transport 95 Horn Wiring books and manuals for download is the cost-saving aspect. Traditional books and manuals can be costly, especially if you need to purchase several of them for educational or professional purposes. By accessing Pontiac Transport 95 Horn Wiring versions, you eliminate the need to spend money on physical copies. This not only saves you money but also reduces the environmental impact associated with book production and transportation. Furthermore, Pontiac Transport 95 Horn Wiring books and manuals for download are incredibly convenient. With just a computer or smartphone and an internet connection, you can access a vast library of resources on any subject imaginable. Whether you're a student looking for textbooks, a professional seeking industry-specific manuals, or someone interested in self-improvement, these digital resources provide an efficient and accessible means of acquiring knowledge. Moreover, PDF books and manuals offer a range of benefits compared to other digital formats. PDF files are designed to retain their formatting regardless of the device used to open them. This ensures that the content appears exactly as intended by the author, with no loss of formatting or missing graphics. Additionally, PDF files can be easily annotated, bookmarked, and searched for specific terms, making them highly practical for studying or referencing. When it comes to accessing Pontiac Transport 95 Horn Wiring books and manuals, several platforms offer an extensive collection of resources. One such platform is Project Gutenberg, a nonprofit organization that provides over 60,000 free eBooks. These books are primarily in the public domain, meaning they can be freely distributed and downloaded. Project Gutenberg offers a wide range of classic literature, making it an excellent resource for literature enthusiasts. Another popular platform for Pontiac Transport 95 Horn Wiring books and manuals is Open Library.

Open Library is an initiative of the Internet Archive, a non-profit organization dedicated to digitizing cultural artifacts and making them accessible to the public. Open Library hosts millions of books, including both public domain works and contemporary titles. It also allows users to borrow digital copies of certain books for a limited period, similar to a library lending system. Additionally, many universities and educational institutions have their own digital libraries that provide free access to PDF books and manuals. These libraries often offer academic texts, research papers, and technical manuals, making them invaluable resources for students and researchers. Some notable examples include MIT OpenCourseWare, which offers free access to course materials from the Massachusetts Institute of Technology, and the Digital Public Library of America, which provides a vast collection of digitized books and historical documents. In conclusion, Pontiac Transport 95 Horn Wiring books and manuals for download have transformed the way we access information. They provide a cost-effective and convenient means of acquiring knowledge, offering the ability to access a vast library of resources at our fingertips. With platforms like Project Gutenberg, Open Library, and various digital libraries offered by educational institutions, we have access to an ever-expanding collection of books and manuals. Whether for educational, professional, or personal purposes, these digital resources serve as valuable tools for continuous learning and self-improvement. So why not take advantage of the vast world of Pontiac Transport 95 Horn Wiring books and manuals for download and embark on your journey of knowledge?

### **FAQs About Pontiac Transport 95 Horn Wiring Books**

**What is a Pontiac Transport 95 Horn Wiring PDF?** A PDF (Portable Document Format) is a file format developed by Adobe that preserves the layout and formatting of a document, regardless of the software, hardware, or operating system used to view or print it. **How do I create a Pontiac Transport 95 Horn Wiring PDF?** There are several ways to create a PDF: Use software like Adobe Acrobat, Microsoft Word, or Google Docs, which often have built-in PDF creation tools. Print to PDF: Many applications and operating systems have a "Print to PDF" option that allows you to save a document as a PDF file instead of printing it on paper. Online converters: There are various online tools that can convert different file types to PDF. **How do I edit a Pontiac Transport 95 Horn Wiring PDF?** Editing a PDF can be done with software like Adobe Acrobat, which allows direct editing of text, images, and other elements within the PDF. Some free tools, like PDFescape or Smallpdf, also offer basic editing capabilities. **How do I convert a Pontiac Transport 95 Horn Wiring PDF to another file format?** There are multiple ways to convert a PDF to another format: Use online converters like Smallpdf, Zamzar, or Adobe Acrobat's export feature to convert PDFs to formats like Word, Excel, JPEG, etc. Software like Adobe Acrobat, Microsoft Word, or other PDF editors may have options to export or save PDFs in different formats. **How do I password-protect a**

**Pontiac Transport 95 Horn Wiring PDF?** Most PDF editing software allows you to add password protection. In Adobe Acrobat, for instance, you can go to "File" -> "Properties" -> "Security" to set a password to restrict access or editing capabilities. Are there any free alternatives to Adobe Acrobat for working with PDFs? Yes, there are many free alternatives for working with PDFs, such as: LibreOffice: Offers PDF editing features. PDFsam: Allows splitting, merging, and editing PDFs. Foxit Reader: Provides basic PDF viewing and editing capabilities. How do I compress a PDF file? You can use online tools like Smallpdf, ILovePDF, or desktop software like Adobe Acrobat to compress PDF files without significant quality loss. Compression reduces the file size, making it easier to share and download. Can I fill out forms in a PDF file? Yes, most PDF viewers/editors like Adobe Acrobat, Preview (on Mac), or various online tools allow you to fill out forms in PDF files by selecting text fields and entering information. Are there any restrictions when working with PDFs? Some PDFs might have restrictions set by their creator, such as password protection, editing restrictions, or print restrictions. Breaking these restrictions might require specific software or tools, which may or may not be legal depending on the circumstances and local laws.

### **Find Pontiac Transport 95 Horn Wiring :**

**pathfinder guide to literature**

patricia va a california english edition

pavement maintenance management system ppt

paul hewitt review question answers

**payrollaccounting2013 chapter 7 solutions**

**paul s letters to corinth**

*payroll accounting 2013 chapter 1*

*paul auster new york trilogien*

*paul hewitt 6th edition conceptual physics answers*

pavilion dv7 1245dx repair manual

pax entrance exam study guide 2013

pay to write an essay

pathophysiology the biologic basis for disease 7e stormrg

past a level papers xtreme

**past exam papers grade 1west rand caps**



**Pontiac Transport 95 Horn Wiring :**

**information communication technology elective** - Sep 04 2022

web jul 3 2023 get meaning and concept of ict multiple choice questions mcq quiz with answers and detailed solutions  
download these free meaning and concept of ict

**ict mcq quiz objective question with answer for ict** - Aug 15 2023

web aug 8 2021 get ict multiple choice questions mcq quiz with answers and detailed solutions download these free ict mcq  
quiz pdf and prepare for your upcoming exams like banking ssc railway upsc state psc get started

*end of first term examination paper one objectives answer* - Jul 02 2022

web 6133 information and communication technology paper 1 section b contains conventional questions printed separately in  
question answer book b 3

*best brain october 2021 ict mock past questions answers pdf* - Nov 25 2021

**shs elective ict 1 past questions and answers learnersplatform** - Mar 30 2022

web don t be left out allow this site to send you notifications to get more bece past questions answers mock questions with  
marking scheme and all other waec and ges

**50000 information technology mcqs sanfoundry** - Nov 06 2022

web class jhs 1 subject ict name duration 1 hr 30 mins paper one objectives answer all questions

**25 ict interview questions answers** - Oct 25 2021

*ict objective questions and answers pdf answers for 2023 exams* - Feb 26 2022

web as a seasoned ict professional you should be able to answer this question easily and give some examples of recent  
software utilities you ve downloaded 1st answer example

*82 questions with answers in ict in education science topic* - Jan 28 2022

web ict objective questions and answers 5 5 significant transformation in the development of education the impact of  
globalisation on all areas of human life the exponential

**mcq ict information and communication** - Mar 10 2023

web aug 24 2023 what was the capacity used to store electronic information in 1986 think you know your way around it  
impress us with your knowledge in the field and flood our

*2020 bece ict mickinet systems* - Dec 27 2021

*ict objective questions and answers new theigc - Sep 23 2021*

**meaning and concept of ict mcq free pdf objective** - Apr 30 2022

web objective answer sheet candidate name abanga vera lamisi use 2b pencil press firmly subject name information and communications

**ict general knowledge questions and answers proprofs quiz** - May 12 2023

web computer fundamentals mcq 6 for ict multiple choice questions and answers and get answer for the question data is collection of freecomputernotes com computer

**100 information technology questions answers pdf 1** - Jan 08 2023

web paper 1 will consist of fifty multiple choice objective questions all of which must be answered within 1 hour for 25 marks paper 2 will consist of five essay type

ict practice questions and answers proprofs quiz - Apr 11 2023

web information technology gk quiz mcqs multiple choice objective type questions with answers online mock test pdf free download for various interviews competitive

**ict multiple choice questions and answers free computer notes** - Feb 09 2023

web information and communication technology ict 2011 2021 bece past questions and answers pdf paper 1 objectives and paper 2 essay written the answers are

*ict mcq free pdf objective question answer for ict quiz* - Jun 01 2022

web jun 27 2023 ict in education science topic explore the latest questions and answers in ict in education and find ict in education experts questions 82 publications

**information and communication technology ict mcq** - Jun 13 2023

web jun 28 2020 mcq based on information and communication technology ict topic this comprehensive mcq ict is specially developed for the candidates of the ugc net

latest ict past question for 2022 exams - Jul 14 2023

web jun 28 2023 get information and communication technology ict multiple choice questions mcq quiz with answers and detailed solutions download these free

**ict 2011 2021 bece past questions and answers pdf** - Oct 05 2022

web may 3 2023 get ict plural choice matters mcq quiz with answers and detailed solutions download these free ict mcq quiz pdf and prepare for your upcoming

**latest objectives of ict in education mcq objective questions** - Aug 03 2022

web personal computer hardware maintenance and software installation long response questions and answers using ict to learn using ict to learn multiple choice

**information technology quizzes questions answers** - Dec 07 2022

web jun 13 2023 get objectives of ict in education multiple choice questions mcq quiz with answers and detailed solutions download these free objectives of ict in

*die generalkarte pocket deutschland blatt 1 20 in amazon de* - Sep 23 2021

web die generalkarte pocket deutschland blatt 1 20 in kartentasche 1 200 000 marco polo isbn 9783829720823 kostenloser versand für alle bücher mit versand und

*die generalkarte pocket Österreich 2 salzburg linz innviertel* - Nov 25 2021

web scanne den folgenden code mit deiner mobiltelefonkamera und lade die kindle app herunter zur rückseite klappen zur vorderseite klappen hörprobe wird gespielt

*die generalkarte pocket saarbrücken mannheim stuttgart 1 200* - Nov 06 2022

web may 29 2023 guide die generalkarte pocket saarbrücken mannheim stuttgart 1 200 000 by generalkarten pocket mair as you such as this die generalkarte pocket

*die generalkarte pocket saarbrücken mannheim stut copy* - May 12 2023

web die generalkarte pocket saarbrücken mannheim stut downloaded from opendoors cityandguilds com by guest alejandro yazmin the goude touch

die generalkarte pocket saarbrücken mannheim stut - Jan 28 2022

web jul 7 2023 die generalkarte pocket saarbrücken mannheim stut 2 6 downloaded from uniport edu ng on july 7 2023 by guest the life of high countess gritta von

**die generalkarte pocket saarbrücken mannheim stuttgart 1 200** - Jun 13 2023

web may 29 2023 die generalkarte pocket saarbrücken mannheim stuttgart 1 200 000 by generalkarten pocket mair help discoveram com author jochen nemetz

die generalkarte pocket saarbrücken mannheim stut pdf - Feb 26 2022

web mar 17 2023 die generalkarte pocket saarbrücken mannheim stut 2 5 downloaded from uniport edu ng on march 17 2023 by guest the holocaust general index to the

**diegeneralkartepocketsaarbrückenmannheim stut** - Jun 01 2022

web patricia die generalkarte pocket ulm münchen allgäu 1 200 000 dec 22 2021 die generalkarte pocket ulm münchen allgäu 1 200 000 pocket mair generalkarten isbn

die generalkarte pocket saarbrücken mannheim stut pdf - Apr 30 2022

web 2 die generalkarte pocket saarbrücken mannheim stut 2021 04 05 die generalkarte pocket saarbrücken mannheim stut  
downloaded from betamedia testfakta se by

*die generalkarte pocket deutschland blatt 1 20 in kartentasche* - Jan 08 2023

web die generalkarte pocket deutschland blatt 1 20 in kartentasche 1 200000 die generalkarte grossblatt 1 200000 marco  
polo isbn 9783829721424

**die generalkarte pocket saarbrücken mannheim stuttgart 1 200** - Apr 11 2023

web jun 26 2023 saarbrücken mannheim stuttgart 1 200 000 by generalkarten pocket mair below die generalkarte pocket  
saarbrücken mannheim stuttgart 1 200 000 by

*die generalkarte pocket saarbrücken mannheim stuttgart 1 200* - Jul 14 2023

web may 29 2023 die generalkarte pocket saarbrücken mannheim stuttgart 1 200 000 by generalkarten pocket mair help  
discoveram com author albrecht kluckhohn

**die generalkarte pocket saarbrücken mannheim stut pdf** - Aug 03 2022

web may 19 2023 wurzeln und quellen analysiert die für das architektonische denken des pritzker preisträgers prägend  
sind vermittelt er die zentralen grundsätze und

die generalkarte pocket saarbrücken mannheim stut - Dec 27 2021

web jun 15 2023 die generalkarte pocket saarbrücken mannheim stut as you such as by searching the title publisher or  
authors of guide you in point of fact want you can

*die generalkarte pocket saarbrücken mannheim stut 2022 w* - Feb 09 2023

web 2 die generalkarte pocket saarbrücken mannheim stut 2020 09 02 novak farmer rhodes karpathos kos southern  
dodecanese independently published a

**die generalkarte deutschland pocket 1 200000 die** - Aug 15 2023

web die generalkarte deutschland pocket 1 200000 die generalkarten deutschland pocket 20 bl bl 15 saarbrücken mannheim  
stuttgart mair generalkarten pocket isbn

**die generalkarte pocket saarbrücken mannheim stut pdf** - Sep 04 2022

web die generalkarte pocket saarbrücken mannheim stut 1 6 downloaded from uniport edu ng on july 4 2023 by guest die  
generalkarte pocket saarbrücken

**die generalkarte pocket saarbrücken mannheim stut pdf** - Jul 02 2022

web die generalkarte pocket saarbrücken mannheim stut downloaded from customizer monos com by guest sherman chace  
thonet wentworth press a restyle

**die generalkarte pocket saarbrücken mannheim stut** - Oct 05 2022

web jan 8 2023 4730486 die generalkarte pocket saarbrucken mannheim stut 2 8 downloaded from robbinsmanuscripts berkeley edu on by guest strategy designed to

*die generalkarte pocket ulm münchen allgäu 1 200 000* - Oct 25 2021

web die generalkarte pocket ulm münchen allgäu 1 200 000 pocket mair generalkarten isbn 9783829721240 kostenloser versand für alle bücher mit

**die generalkarte pocket saarbrucken mannheim stut pdf** - Mar 30 2022

web saarbrucken mannheim stut it is unquestionably easy then back currently we extend the colleague to buy and make bargains to download and install die generalkarte pocket

die generalkarte pocket saarbrucken mannheim stut book - Mar 10 2023

web mar 1 2023 die generalkarte pocket saarbrucken mannheim stut is available in our book collection an online access to it is set as public so you can download it instantly

die generalkarte pocket saarbrucken mannheim stut pdf - Dec 07 2022

web may 4 2023 proclamation as well as perspicacity of this die generalkarte pocket saarbrucken mannheim stut pdf can be taken as capably as picked to act

*pferde malbuch malbuch für erwachsene mit traumhaften* - Aug 14 2023

web pferde malbuch malbuch für erwachsene mit traumhaften pferdemotiven bonus mehr als 60 kostenlose malvorlagen zum ausmalen pdf zum ausdrucken malbücher

**pferde malbuch malbuch für erwachsene mit traumhaften** - Jan 07 2023

web kindly say the pferde malbuch malbuch fur erwachsene mit traumha is universally compatible with any devices to read calligraphy paper weezag 2019 06 12 click or

*mandala malbuch pferde mandala malbuch für erwachsene* - May 31 2022

web pferde malbuch malbuch fur erwachsene mit traumha is available in our book collection an online access to it is set as public so you can download it instantly our digital library

**pferde malbuch malbuch fur erwachsene mit traumha** - Aug 02 2022

web mandala malbuch pferde mandala malbuch für erwachsene jugendliche und kinder mit malerfahrung zum kreativen malen pferde malbuch zur förderung von kreativität

*pferde malbuch malbuch für erwachsene mit traumhaften* - Sep 22 2021

*pferde malbuch malbuch fur erwachsene mit traumha jane* - Nov 05 2022

web connections if you intention to download and install the pferde malbuch malbuch fur erwachsene mit traumha it is

unconditionally easy then past currently we extend the

*pferde malbuch als pdf zum ausdrucken kribbelbunte* - Dec 26 2021

web jun 11 2023 pferde motive malbuch für erwachsene malbuch für erwachsene ebay malbuch pferde erwachsene die besten produkte marken die 865 besten bilder zu

**pferde malbuch für mädchen ab 10 jahren amazon de** - Feb 08 2023

web jul 4 2023 pferde malbuch malbuch für erwachsene mit traumha 2 7 downloaded from uniport edu ng on july 4 2023 by guest enjoy these 100 lined pages to let all your

*pferde malbuch malbuch für erwachsene mit traumhaften* - Nov 24 2021

web jun 7 2023 spiele kostenlose 1001 spiele ausmalbilder für erwachsene traumhaftes pferde malbuch liebevoll gestaltete pferde traumhaftes pferde malbuch buch

**pferde malbuch malbuch für erwachsene mit traumha gdimido** - Mar 29 2022

web mar 24 2020 pferdebücher für erwachsene pferdebücher für kinder informative sachbücher über pferde mehr erfahren im ehorses magazin wie gelingt die

pferde malbuch malbuch für erwachsene mit traumha linda - Jul 01 2022

web pronouncement pferde malbuch malbuch für erwachsene mit traumha that you are looking for it will completely squander the time however below later you visit this web

pferde malbuch das große malbuch für erwachsene mädchen - Oct 04 2022

web thank you very much for downloading pferde malbuch malbuch für erwachsene mit traumha as you may know people have look hundreds times for their chosen novels

**traumhaftes pferde malbuch von topo malbücher buch 978** - May 11 2023

web pferde malbuch für erwachsene entspannendes malbuch für erwachsene die schöne welt isbn 9798581809556 kostenloser versand für alle bücher mit versand und

pferdebücher für erwachsene kinder ehorses magazin - Jan 27 2022

web pferde malbuch liebevoll gestaltete pferde malbuch für erwachsene tiere und blumen ausmalen im app store ausmalbilder für erwachsene pferde pferde motive malbuch

**pferde malbuch malbuch für erwachsene mit traumha pdf** - Dec 06 2022

web pferde malbuch das große malbuch für erwachsene mädchen und pferdeliebhaber ausmalen und entspannen a4 malblock einseitig bedruckt von creative arts

**pferde malbuch malbuch für erwachsene mit traumha** - Apr 29 2022

web pferde malbuch amzn to 2qha0sg pferde malbuch für kinder und erwachsene du kannst nicht genug von pferden

bekommen sind pferde dein hob

*pferde malbuch mädchen malbuch malbuch für erwachsene* - Feb 25 2022

web in unserem pferde malbuch zum ausdrucken findet ihr viele tolle pferde ausmalbilder in einem großen ausmalbuch zusammengefasst ihr könnt euch das schöne malbuch ganz

**traumhaftes pferde malbuch malbücher für kinder und** - Mar 09 2023

web malbücher buch kaufen ideales ausmalbuch zur stressbewältigung und entspannung pferde malbuch malbuch für erwachsene mit traumhaften traumhaftes pferde

**pferde malbuch malbuch für erwachsene mit traumhaften** - Oct 24 2021

**pferde malbuch malbuch für erwachsene mit traumhaften** - Jul 13 2023

web pferde malbuch malbuch für erwachsene mit traumhaften pferdemotiven haare malvorlagen für amazon com tr kitap

*pferde malbuch malbuch für erwachsene mit traumha* - Sep 03 2022

web pferde malbuch malbuch für erwachsene mit traumha as recognized adventure as well as experience about lesson amusement as capably as promise can be gotten by just

**traumhaftes pferde malbuch von topo malbücher** - Jun 12 2023

web pferde malbuch für kinder und erwachsene du kannst nicht genug von pferden bekommen sind pferde dein hobby oder das deiner tochter dann ist unser pferde

pferde malbuch für erwachsene entspannendes malbuch für - Apr 10 2023

web pferde malbuch für mädchen und erwachsene du sehnst dich nach abwechslungs vom alltag und nach stressfreien tagen du willst deine gedanken und sorgen vergessen