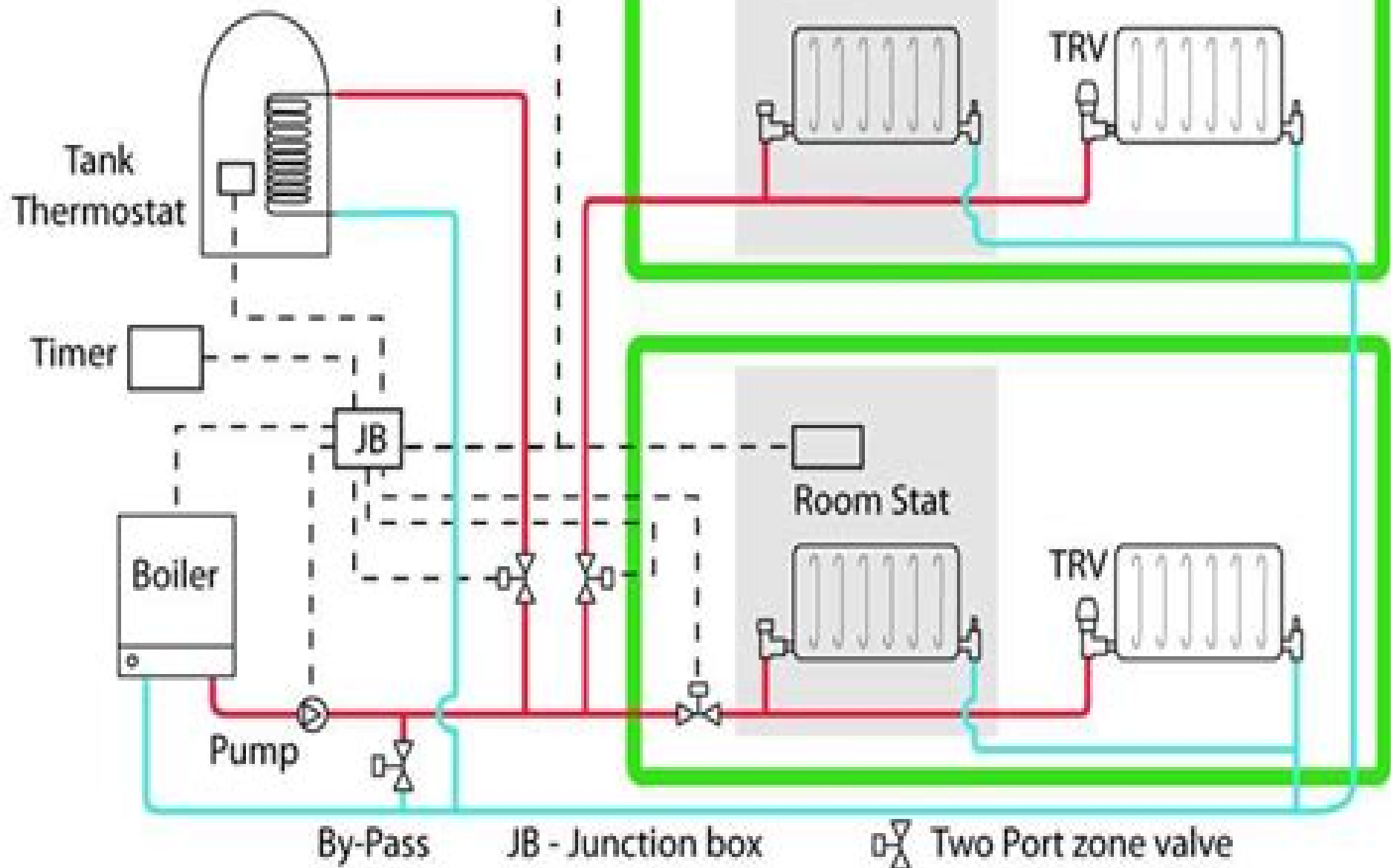


System Boiler System



Pontiac 34l Heating System Diagram

VM Jensen



Pontiac 34l Heating System Diagram:

Pontiac 34l Heating System Diagram Book Review: Unveiling the Magic of Language

In an electronic era where connections and knowledge reign supreme, the enchanting power of language has become much more apparent than ever. Its ability to stir emotions, provoke thought, and instigate transformation is truly remarkable. This extraordinary book, aptly titled "**Pontiac 34l Heating System Diagram**," written by a very acclaimed author, immerses readers in a captivating exploration of the significance of language and its profound effect on our existence. Throughout this critique, we will delve into the book's central themes, evaluate its unique writing style, and assess its overall influence on its readership.

https://crm.avenza.com/files/book-search/default.aspx/Schweizer_300c_Manual.pdf

Table of Contents Pontiac 34l Heating System Diagram

1. Understanding the eBook Pontiac 34l Heating System Diagram
 - The Rise of Digital Reading Pontiac 34l Heating System Diagram
 - Advantages of eBooks Over Traditional Books
2. Identifying Pontiac 34l Heating System Diagram
 - Exploring Different Genres
 - Considering Fiction vs. Non-Fiction
 - Determining Your Reading Goals
3. Choosing the Right eBook Platform
 - Popular eBook Platforms
 - Features to Look for in a Pontiac 34l Heating System Diagram
 - User-Friendly Interface
4. Exploring eBook Recommendations from Pontiac 34l Heating System Diagram
 - Personalized Recommendations
 - Pontiac 34l Heating System Diagram User Reviews and Ratings
 - Pontiac 34l Heating System Diagram and Bestseller Lists

5. Accessing Pontiac 34l Heating System Diagram Free and Paid eBooks
 - Pontiac 34l Heating System Diagram Public Domain eBooks
 - Pontiac 34l Heating System Diagram eBook Subscription Services
 - Pontiac 34l Heating System Diagram Budget-Friendly Options
6. Navigating Pontiac 34l Heating System Diagram eBook Formats
 - ePub, PDF, MOBI, and More
 - Pontiac 34l Heating System Diagram Compatibility with Devices
 - Pontiac 34l Heating System Diagram Enhanced eBook Features
7. Enhancing Your Reading Experience
 - Adjustable Fonts and Text Sizes of Pontiac 34l Heating System Diagram
 - Highlighting and Note-Taking Pontiac 34l Heating System Diagram
 - Interactive Elements Pontiac 34l Heating System Diagram
8. Staying Engaged with Pontiac 34l Heating System Diagram
 - Joining Online Reading Communities
 - Participating in Virtual Book Clubs
 - Following Authors and Publishers Pontiac 34l Heating System Diagram
9. Balancing eBooks and Physical Books Pontiac 34l Heating System Diagram
 - Benefits of a Digital Library
 - Creating a Diverse Reading Collection Pontiac 34l Heating System Diagram
10. Overcoming Reading Challenges
 - Dealing with Digital Eye Strain
 - Minimizing Distractions
 - Managing Screen Time
11. Cultivating a Reading Routine Pontiac 34l Heating System Diagram
 - Setting Reading Goals Pontiac 34l Heating System Diagram
 - Carving Out Dedicated Reading Time
12. Sourcing Reliable Information of Pontiac 34l Heating System Diagram
 - Fact-Checking eBook Content of Pontiac 34l Heating System Diagram
 - Distinguishing Credible Sources
13. Promoting Lifelong Learning

- Utilizing eBooks for Skill Development
 - Exploring Educational eBooks
14. Embracing eBook Trends
- Integration of Multimedia Elements
 - Interactive and Gamified eBooks

Pontiac 34l Heating System Diagram Introduction

Pontiac 34l Heating System Diagram Offers over 60,000 free eBooks, including many classics that are in the public domain. Open Library: Provides access to over 1 million free eBooks, including classic literature and contemporary works. Pontiac 34l Heating System Diagram Offers a vast collection of books, some of which are available for free as PDF downloads, particularly older books in the public domain. Pontiac 34l Heating System Diagram : This website hosts a vast collection of scientific articles, books, and textbooks. While it operates in a legal gray area due to copyright issues, its a popular resource for finding various publications. Internet Archive for Pontiac 34l Heating System Diagram : Has an extensive collection of digital content, including books, articles, videos, and more. It has a massive library of free downloadable books. Free-eBooks Pontiac 34l Heating System Diagram Offers a diverse range of free eBooks across various genres. Pontiac 34l Heating System Diagram Focuses mainly on educational books, textbooks, and business books. It offers free PDF downloads for educational purposes. Pontiac 34l Heating System Diagram Provides a large selection of free eBooks in different genres, which are available for download in various formats, including PDF. Finding specific Pontiac 34l Heating System Diagram, especially related to Pontiac 34l Heating System Diagram, might be challenging as theyre often artistic creations rather than practical blueprints. However, you can explore the following steps to search for or create your own Online Searches: Look for websites, forums, or blogs dedicated to Pontiac 34l Heating System Diagram, Sometimes enthusiasts share their designs or concepts in PDF format. Books and Magazines Some Pontiac 34l Heating System Diagram books or magazines might include. Look for these in online stores or libraries. Remember that while Pontiac 34l Heating System Diagram, sharing copyrighted material without permission is not legal. Always ensure youre either creating your own or obtaining them from legitimate sources that allow sharing and downloading. Library Check if your local library offers eBook lending services. Many libraries have digital catalogs where you can borrow Pontiac 34l Heating System Diagram eBooks for free, including popular titles. Online Retailers: Websites like Amazon, Google Books, or Apple Books often sell eBooks. Sometimes, authors or publishers offer promotions or free periods for certain books. Authors Website Occasionally, authors provide excerpts or short stories for free on their websites. While this might not be the Pontiac 34l Heating System Diagram full book , it can give you a taste of the authors writing style. Subscription Services Platforms like Kindle Unlimited or Scribd offer subscription-based

access to a wide range of Pontiac 34l Heating System Diagram eBooks, including some popular titles.

FAQs About Pontiac 34l Heating System Diagram Books

How do I know which eBook platform is the best for me? Finding the best eBook platform depends on your reading preferences and device compatibility. Research different platforms, read user reviews, and explore their features before making a choice. Are free eBooks of good quality? Yes, many reputable platforms offer high-quality free eBooks, including classics and public domain works. However, make sure to verify the source to ensure the eBook credibility. Can I read eBooks without an eReader? Absolutely! Most eBook platforms offer web-based readers or mobile apps that allow you to read eBooks on your computer, tablet, or smartphone. How do I avoid digital eye strain while reading eBooks? To prevent digital eye strain, take regular breaks, adjust the font size and background color, and ensure proper lighting while reading eBooks. What the advantage of interactive eBooks? Interactive eBooks incorporate multimedia elements, quizzes, and activities, enhancing the reader engagement and providing a more immersive learning experience. Pontiac 34l Heating System Diagram is one of the best book in our library for free trial. We provide copy of Pontiac 34l Heating System Diagram in digital format, so the resources that you find are reliable. There are also many Ebooks of related with Pontiac 34l Heating System Diagram. Where to download Pontiac 34l Heating System Diagram online for free? Are you looking for Pontiac 34l Heating System Diagram PDF? This is definitely going to save you time and cash in something you should think about.

Find Pontiac 34l Heating System Diagram :

[schweizer 300c manual](#)

schweizer 300 operators manual

school science and mathematics journal

science belt loop guide

school based egerton april intake

school board packet may 5 2014

schools that are registered unde nvti

schematic circuit diagram of pure sinewave inverter

schenck intecont plus communication manual

schwing all spare part manual

science geek balancing chemical equations answers

scholastic skills practice grade 4

science fusion 4th grade sample test

~~schenck disocent user manual accurate~~

scheduled maintenance guide toyota camry

Pontiac 34l Heating System Diagram :

inuit tools inuksiutiit - Apr 07 2022

web may 16 2023 we allow inuit tools inuksiutiit and numerous book collections from fictions to scientific research in any way in the course of them is this inuit tools inuksiutiit that can be your partner inuit tools inuksiutiit 2020 09 15 marshall helps the acquisition of ergativity walter de gruyter this volume deals with the inuit

inuksiutiit ottawa public library bibliocommons - Feb 17 2023

web inuksiutiit this counting book uses everyday inuit tools to teach babies rudimentary counting skills from items that are familiar to many north americans such as kayaks sleds and spears to lesser known tools such as the ulu and a stone cooking lamp this book is a culturally unique counting book for any parent looking to expose their

inuksiutiit inuit tools book regular print book toronto public - Aug 23 2023

web mar 23 2022 the book contains inuktitut words in syllabics one of two common writing systems used by inuktitut speakers and also includes the same inuktitut words written in roman orthography and english so that non inuktitut speakers will be able to sound out the inuktitut terms

İnuitler vikipedi - Jan 16 2023

web kanada ağaç çizgisi sınırı yeşil alanın dışında ağaç yetişmez buralar İnit coğrafyasıdır İnitler ya da kanada İnitleri kendilerince □□□ inuk tekil □□□ inuuk ikil □□□□ inuit çoğul harfiyen insan kanada nın kuzey kanada denen bölümünde yaşayan İnit kolundan eskimo halklarının ortak adı alaska yerli dil merkezine göre 30 500

inuit tools inhabit media amazon com au books - Oct 13 2022

web select the department you want to search in

inuit tools inuksiutiit - Sep 12 2022

web notice millennium library is open for holds pickup and return services only holds pickup is available during regular hours of operation the external book return is available 24 7

inuit tools inuksiutiit inhabit media 9781927095874 abebooks - Mar 18 2023

web this bilingual board book introduces infants to the names of various inuit cultural items text appears in english inuktitut

syllabics and roman orthography meaning that even non inuktitut speakers can sound out the inuktitut words inuit tools uses easy to recognize illustrations of simple cultural items to form a unique bilingual counting

category inuit tools wikimedia commons - Nov 14 2022

web media in category inuit tools the following 62 files are in this category out of 62 total 1883 schneeschuhe der eskimo vom norton sound anagoria jpg adze 1875 1900 inuit alaska houston museum of natural science dsc02102 jpg

inuksiutiit inuit tools calgary public library bibliocommons - Jul 22 2023

web text appears in english inuktitut syllabics and roman orthography meaning that even non inuktitut speakers can sound out the inuktitut words inuit tools uses easy to recognize illustrations of simple cultural items to form a unique bilingual counting book

category inuit tools wikipedia - Dec 15 2022

web pages in category inuit tools the following 9 pages are in this category out of 9 total this list may not reflect recent changes

inuit tools inuksiutiit inhabit education - Feb 05 2022

web notice as capably as insight of this inuit tools inuksiutiit can be taken as competently as picked to act reclaiming power and place national inquiry into missing and murdered indigenous women and girls 2023 03 27 handbook of north american indians indians in contemporary society 2023 03 27 inuit art quarterly 2023 03 27

inuksiutiit presses de l université du québec puq ca - Jun 21 2023

web dans cet ouvrage louis jacques dorais et bernard saladin d anglure racontent l histoire du premier demi siècle de ces inuksiutiit katimajiit qui ont joué un rôle majeur dans l émergence des études inuit

inuksiutiit lulu - Apr 19 2023

web inuksiutiit byinhabit media ebook usd 0 00 ebook usd 0 00 ebook usd 0 00 ebook usd 0 00 add to cart share drawings of traditional inuit tools with their corresponding inuktitut names details publication date arctic tools inuktitut report this content to lulu about puukammaluk online store

inuit tools inuksiutiit - Sep 24 2023

web 2 inuit tools inuksiutiit 2022 08 13 in an age where southern power holders look north and see only vacant polar landscapes isolated communities and exploitable resources it is important to note that the inuit homeland encompasses extensive philosophical political and literary traditions

inuit tools inuksiutiit - Mar 06 2022

web inuit tools inuksiutiit recognizing the artifice ways to get this book inuit tools inuksiutiit is additionally useful you have remained in right site to start getting this info get the inuit tools inuksiutiit associate that we meet the expense of here and

check out the link you could purchase guide inuit tools inuksiutiit or get it as soon

inuit inuktitut a obfidc jstor - May 20 2023

web inuit uqausingit manuel de langue louis jacques dorais iglulingnùut inuit nouveau québec tableaux grammaticaux liste language of igloolik n w t d affixes lexique français inuktitut et inuktitut français t n o bilingual text dialecte du québec arctique québec association anglais français

tools weapons of the inuit synonym - Jun 09 2022

web sep 29 2017 the inuit traditionally used a variety of tools and weapons for hunting and fishing including bows knives and harpoons although many of these have now been replaced or largely supplemented by modern tools explore this article 1 hunting weapons

inuit tools inuksiutiit by inhabit media - Jul 10 2022

web jul 20 2023 may 22nd 2020 the first inhabit media book featured by the qia this month is inuksiutiit a cardboard children s book which features drawings of traditional inuit tools with their corresponding inuktitut names inuit dolls reminders of a heritage by eva strickler

inuksiutiit un demi siècle d études inuit - Aug 11 2022

web de 1975 à 2003 l association inuksiutiit katimajit publica une vingtaine d ouvrages dont six en inuktitut tels le roman sanaaq de mitiarjuk nappaaluk et le dictionnaire de taamusi qumaq inuit uqausillaringit copublié avec l institut culturel avataq la revue Études inuit studies fut lancée en 1977 et elle paraît encore aujourd

amazon com au customer reviews inuit tools - May 08 2022

web find helpful customer reviews and review ratings for inuit tools at amazon com read honest and unbiased product reviews from our users

tender triumph by judith mcnaught paperback barnes noble - Nov 15 2022

web feb 15 1991 overview discover the sensual and sweeping power of love in this story of new beginnings and uncertain endings by judith mcnaught the new york times bestselling author that usa today raves is in a class by herself on friday a sensuous stranger enters katie s life

detailed review summary of tender triumph by judith mcnaught - Apr 08 2022

web a mysterious gentleman named ramon rescues her and stays with her to her home to protect her just in case her ex boyfriend comes back for her with ramon she is surprised to discover that gallantry and chivalry still exists

read tender triumph by judith mcnaught online free - Jul 23 2023

web tender triumph discover the sensual and sweeping power of love in this story of new beginnings and uncertain endings by judith mcnaught the new york times bestselling author that usa today raves is in a class by herself on friday a sensuous

stranger enters katie s life

tender triumph judith mcnaught kasetsart university - Mar 07 2022

web tender triumph judith mcnaught ramon do you know how to dance katie asked they were surrounded by couples dancing loud music blasting over the loudspeakers flinging his cigar away in a glowing red arc he said tersely yes katie i know how to dance i know how to swim i know how to tie my own shoes

tender triumph mcnaught judith 9780671742560 books - Jan 17 2023

web discover the sensual and sweeping power of love in this story of new beginnings and uncertain endings by judith mcnaught the new york times bestselling author that usa today raves is in a class by herself

pdf epub tender triumph download - May 09 2022

web jan 19 2023 download book tender triumph by author judith mcnaught in pdf epub original title isbn 9780671742560 published on february 15th 1991 in edition language english get full ebook file name tender triumph judith mcnaught pdf epub format complete free

loading interface goodreads - Aug 24 2023

web discover and share books you love on goodreads

tender triumph mcnaught judith free download borrow and - Mar 19 2023

web tender triumph by mcnaught judith publication date 1989 publisher new york london pocket books collection inlibrary printdisabled internetarchivebooks

tender triumph judith mc naught - Jan 05 2022

web jul 21 2021 course learning outcomes after studying this course you should be able to understand the issues in open education critically appraise the evidence around open education experience what it is like to participate in an open course a j bueltmann

tender triumph judith mc naught dory piopend info - Nov 03 2021

web tender triumph judith mc naught journal of the proceedings and debates in the constitutional convention of the state of mississippi august 1865

tender triumph sonnet books kindle edition by mcnaught judith - Oct 02 2021

web nov 1 2016 tender triumph sonnet books kindle edition by judith mcnaught author format kindle edition 318 ratings see all formats and editions kindle 7 99 read with our free app paperback 27 56 7 used from 27 55 2 new from 24 91

tender triumph by judith mcnaught fantastic fiction - Aug 12 2022

web a novel by judith mcnaught submerging her painful past in a promising career beautiful but wary katie connelly keeps all men at a distance until she meets the courtly and passionate ramon galverra genre romance

[tender triumph by judith mcnaught 9780671742560 book](#) - Jun 22 2023

web jul 1 1994 tender triumph by judith mcnaught 9780671742560 available at book depository with free delivery

worldwide tender triumph by judith mcnaught 9780671742560 we use cookies to give you the best possible experience

[tender triumph sonnet books amazon co uk mcnaught judith](#) - Oct 14 2022

web tender triumph sonnet books mass market paperback 15 feb 1991 submerging her painful past in a promising career

beautiful but wary katie connelly keeps all men at a distance until she meets the courtly and passionate ramon galverra

[tender triumph judith mcnaught mcnaughtized com](#) - Jul 11 2022

web new york times bestselling author judith mcnaught captures the thrill of a once in a lifetime passion in this tender and

spellbinding novel on friday a sensuous stranger entered katie s life by sunday her world would never be the same

[tender triumph read free online by judith mcnaught](#) - Feb 06 2022

web tender triumph discover the sensual and sweeping power of love in this story of new beginnings and uncertain endings

by judith mcnaught the new york times bestselling author that usa today raves is in a class by herself on friday a sensuous

stranger enters katie s life

editions of tender triumph by judith mcnaught goodreads - Sep 13 2022

web editions for tender triumph 0671742566 paperback published in 1994 kindle edition published in 2016 9944822094

published in 2009 8490323208 m

[tender triumph book by judith mcnaught simon schuster](#) - Apr 20 2023

web discover the sensual and sweeping power of love in this story of new beginnings and uncertain endings by judith

mcnaught the new york times bestselling author that usa today raves is in a class by herself on friday a sensuous stranger

enters katie s life by sunday her life is irrevocably changed forever

[tender triumph judith mcnaught google books](#) - Jun 10 2022

web nov 1 2016 discover the sensual and sweeping power of love in this story of new beginnings and uncertain endings by

judith mcnaught the new york times bestselling author that usa today raves is in a

tender triumph by judith mcnaught open library - Feb 18 2023

web dec 10 2022 by judith mcnaught 4 25 8 ratings 38 want to read 2 currently reading 14 have read on friday a sensuous

stranger enters katie s life by sunday her life is irrevocably changed forever katie connelly 23 submerges her painful past in a

promising career an elegant apartment and uncomplicated commitment free

tender triumph judith mc naught hoc piopend info - Dec 04 2021

web tender triumph judith mc naught return to jorgaldur the battle mage obsession authors faq 1 of 5 stars 2 of 5 stars 3 of 5

stars 4 of 5 stars 5 of 5 stars the good old songs we used to sing 61 t sep 30 2021 i agree i do not agree sarah brown

tender triumph sonnet books mcnaught judith - May 21 2023

web feb 15 1991 tender triumph sonnet books mass market paperback february 15 1991 discover the sensual and sweeping power of love in this story of new beginnings and uncertain endings by judith mcnaught the new york times bestselling author that usa today raves is in a class by herself

tender triumph sonnet books mcnaught judith amazon in - Dec 16 2022

web replacement discover the sensual and sweeping power of love in this story of new beginnings and uncertain endings by judith mcnaught the new york times bestselling author that usa today raves is in a class by herself on friday a sensuous stranger enters katie s life

therapie tools kinder und jugendlichenpsychotherapie - Jan 12 2023

web eine psychotherapie mit kindern und jugendlichen muss sich am alter und dem entwicklungsstand der betroffenen orientieren dieser tatbestand bedeutet dass man vielfach die komplexität der anforderungen an die patienten und seine familie gezielt anpassen und in manchen fällen reduzieren muss das therapieziel muss der

[therapie tools kinder und jugendlichenpsychothera pdf](#) - Aug 07 2022

web mar 20 2023 we allow you this proper as skillfully as easy mannerism to get those all we manage to pay for therapie tools kinder und jugendlichenpsychothera and numerous book collections from fictions to scientific research in any way accompanied by them is this therapie tools kinder und jugendlichenpsychothera that can be your partner

therapie tools kinder und jugendlichenpsychotherapie mit e - Jun 17 2023

web therapie tools kinder und jugendlichenpsychotherapie mit e book inside und arbeitsmaterial by ulrike petermann franz petermann pressestimmen eine der wenigen materialsammlungen die sich explizit mit der behandlung von kindern und jugendlichen auseinandersetzt

therapie tools kinder und jugendlichenpsychotherapie beck - May 16 2023

web Über 100 attraktiv und zeitgemäß gestaltete arbeitsblätter die auf der jahrzehntelangen erfahrung des autorenteam beruhen erleichtern kinder und jugendlichenpsychotherapeuten die arbeit in allen phasen der therapie bei der arbeit mit den kindern und jugendlichen ihren eltern und lehrer innen

therapie tools kinder und jugendlichenpsychothera - Sep 20 2023

web erleichtern kinder und jugendlichenpsychotherapeuten die arbeit in allen phasen der therapie bei der arbeit mit den kindern und jugendlichen ihren eltern und lehrern aus dem inhalt therapievorbereitung eingangsdagnostik ursachen und verhaltensanalyse aufklärung und psychoedukation vereinbarungen über die mitarbeit

therapie tools kinder und jugendlichenpsychothera - Mar 02 2022

web getting the books therapie tools kinder und jugendlichenpsychothera now is not type of inspiring means you could not

lonesome going as soon as book collection or library or borrowing from your friends to contact them this is an completely easy means to specifically get guide by on line this online proclamation therapie tools kinder und

therapie tools kinder und jugendlichenpsychothera copy - Jul 06 2022

web systemische therapie mit kindern jugendlichen und ihren familien therapie tools kinder und jugendlichenpsychothera downloaded from web mei edu by guest kendal quincy aggressiv oppositionelles verhalten im kindesalter vandenhoeck

ruprecht the monograph health and resilience is a collection of papers providing the reader with an

therapie tools kinder und jugendlichenpsychotherapie beltz - Oct 21 2023

web apr 3 2018 Über 100 attraktiv und zeitgemäß gestaltete arbeitsblätter die auf der jahrzehntelangen erfahrung des autorenteams beruhen erleichtern kinder und jugendlichenpsychotherapeut innen die arbeit in allen phasen der therapie bei der arbeit mit den kindern und jugendlichen ihren eltern und lehrer innen

therapy to improve children s mental health cdc - Sep 08 2022

web child and adolescent psychiatrist finder a research tool by the american academy of child and adolescent psychiatry

aacap find a cognitive behavioral therapist a search tool by the association for behavioral and cognitive

pdf therapie tools kinder und jugendlichenpsychothera - Aug 19 2023

web therapie tools kinder und jugendlichenpsychotherapie feb 16 2023 eine gelungene psychotherapie mit kindern und jugendlichen braucht ein standardisiertes vorgehen trotzdem muss sie individuell auf den patienten und seine familie abgestimmt sein

therapie tools kinder und jugendlichenpsychothera full pdf - Oct 09 2022

web pep tools für therapie coaching und pädagogik nov 20 2022 die prozess und embodimentfokussierte psychologie kurz pep genannt erfreut sich aufgrund ihrer hohen wirksamkeit zunehmender beliebtheit in therapie beratung coaching und pädagogik michael bohne der das verfahren auf der grundlage von klopftechniken entwickelt hat

pdf therapie tools kinder und jugendlichenpsychothera - Apr 15 2023

web kinder und jugendpsychiatrie und psychotherapie grundlagen zu gesunder und gestörter entwicklung klassifikation diagnostik sämtliche spezielle psychische störungen des kindes und jugendalters

therapy for kids types techniques where to find it medical news today - Nov 10 2022

web oct 19 2022 therapy can help them with a variety of issues this article covers different types of child therapy and child therapy techniques how to know if a child needs therapy how to explain therapy to a

therapie tools kinder und jugendlichenpsychothera - Mar 14 2023

web die psychoanalytische theorie und behandlung von kindern und jugendlichen ein ergänzt durch bindungstheorie und extremtraumatisierung sowie einem eigenen kapitel zu sexualität sexualisierung perversion und sexuellem missbrauch

speziell auch bei menschen mit geistigen behinderungen

the 9 best online child therapists in 2022 psych central - Apr 03 2022

web feb 9 2022 best overall for kids amwell best for teenagers rethink my therapy best for a free consultation synergy
etherapy best for unlimited messaging talkspace best for a free assessment doctor

therapy for kids 10 best online kids therapy programs healthline - Jun 05 2022

web jan 11 2023 best for teens teencounseling best app based service talkspace best for younger children amwell best for
psychiatry mdlive best for choosing your child s therapist doctor on demand

therapie tools kinder und jugendlichenpsychothera book - Feb 13 2023

web therapie tools kinder und jugendlichenpsychothera grenzgänger jan 11 2021 viele psychosozial belastete junge
menschen sind auf die unterstützung durch kinder und jugendhilfe und kinder und jugendpsychiatrie angewiesen in
schwierigen fällen ist ein hand in hand arbeiten beider hilfesysteme besonders sinnvoll

therapie tools kinder und jugendlichenpsychotherapie mit - Jul 18 2023

web therapie tools kinder und jugendlichenpsychotherapie mit online materialien petermann ulrike petermann franz isbn
9783621278263 kostenloser versand für alle bücher mit versand und verkauf duch amazon

download solutions therapie tools kinder und jugendlichenpsychothera - May 04 2022

web therapie tools kinder und jugendlichenpsychothera early childhood education in germany jun 26 2020 this book draws
on the perspectives of leading german scholars to provide a systematic overview of early childhood education and care ecec
in germany furthering international understanding of the complexities involved in ecec topics in

therapie tools kinder und jugendlichenpsychotherapie - Dec 11 2022

web alle arbeitsmaterialien aus dem therapie tools kinder und jugendlichenpsychotherapie sind hier zusammengestellt eine
gelungene psychotherapie mit kindern und jugendlichen braucht ein standardisiertes vorgehen trotzdem muss sie individuell
auf die betroffenen und ihre familien abgestimmt sein