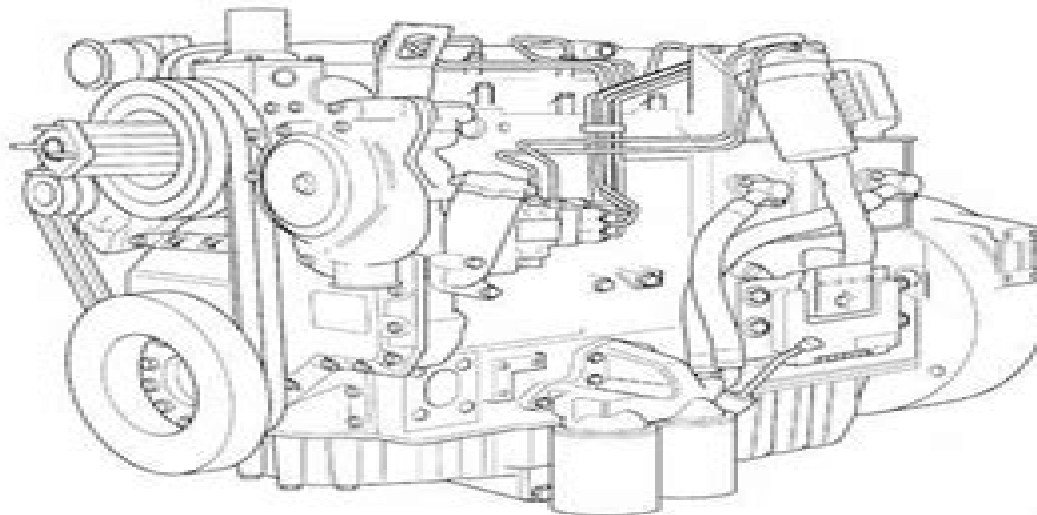


# ENGINE



## SERVICE MANUAL

Perkins®  
1100 Series 6-Cylinder Diesel Engine



# Perkins Generator Service Manual New Models

**AW Rasmussen**



## **Perkins Generator Service Manual New Models:**

**Popular Mechanics** ,1964-11 Popular Mechanics inspires instructs and influences readers to help them master the modern world Whether it s practical DIY home improvement tips gadgets and digital technology information on the newest cars or the latest breakthroughs in science PM is the ultimate guide to our high tech lifestyle **Cruising World** ,1992-01

**Motor's Truck & Tractor Repair Manual** ,1971 *Monthly Catalogue, United States Public Documents* ,1993-08

Monthly Catalog of United States Government Publications United States. Superintendent of Documents,1993

*Industrial Arts & Vocational Education* ,1967 *Monthly Catalog of United States Government Publications* ,1989

**Catalog of Copyright Entries. Part 1. [B] Group 2. Pamphlets, Etc. New Series** Library of Congress. Copyright Office,1946 *Cruising World* ,1999-01 **Catalog of Copyright Entries. Third Series** Library of Congress. Copyright Office,1951 Includes Part 1A Books and Part 1B Pamphlets Serials and Contributions to Periodicals

**Cruising World** ,1991-11 **Boating** ,1962-01 **School Shop** ,1966 Motor World Wholesale ,1921 **Training for job interview**

**Offshore Oil & Gas Platforms** Petrogav International Oil & Gas Training Center,2020-07-01 The job interview is probably the most important step you will take in your job search journey Because it s always important to be prepared to respond effectively to the questions that employers typically ask at a job interview Petrogav International has prepared this eBooks that will help you to get a job in oil and gas industry Since these questions are so common hiring managers will expect you to be able to answer them smoothly and without hesitation This eBook contains 281 questions and answers for job interview and as a BONUS web addresses to 289 video movies for a better understanding of the technological process This course covers aspects like HSE Process Mechanical Electrical and Instrumentation Control that will enable you to apply for any position in the Oil and Gas Industry 150 technical questions and answers for job interview Offshore Drilling Rigs Petrogav

International Oil & Gas Training Center,2020-06-28 The job interview is probably the most important step you will take in your job search journey Because it s always important to be prepared to respond effectively to the questions that employers typically ask at a job interview Petrogav International has prepared this eBooks that will help you to get a job in oil and gas industry Since these questions are so common hiring managers will expect you to be able to answer them smoothly and without hesitation This eBook contains 150 questions and answers for job interview and as a BONUS 230 links to video movies This course covers aspects like HSE Process Mechanical Electrical and Instrumentation Control that will enable you to apply for any position in the Oil and Gas Industry *How to be prepared for job interview Offshore Oil & Gas Platforms*

Petrogav International Oil & Gas Training Center,2020-07-01 The job interview is probably the most important step you will take in your job search journey Because it s always important to be prepared to respond effectively to the questions that employers typically ask at a job interview Petrogav International has prepared this eBooks that will help you to get a job in oil and gas industry Since these questions are so common hiring managers will expect you to be able to answer them smoothly

and without hesitation This eBook contains 281 questions and answers for job interview and as a BONUS web addresses to 289 video movies for a better understanding of the technological process This course covers aspects like HSE Process Mechanical Electrical and Instrumentation Control that will enable you to apply for any position in the Oil and Gas Industry

**200 technical questions and answers for job interview Offshore Oil & Gas Rigs** Petrogav International Oil & Gas Training Center,2020-06-30 The job interview is probably the most important step you will take in your job search journey Because it s always important to be prepared to respond effectively to the questions that employers typically ask at a job interview Petrogav International has prepared this eBooks that will help you to get a job in oil and gas industry Since these questions are so common hiring managers will expect you to be able to answer them smoothly and without hesitation This eBook contains 200 questions and answers for job interview and as a BONUS web addresses to 230 video movies for a better understanding of the technological process This course covers aspects like HSE Process Mechanical Electrical and Instrumentation Control that will enable you to apply for any position in the Oil and Gas Industry Nuclear Science Abstracts ,1971 Yachting ,1999-02

If you ally obsession such a referred **Perkins Generator Service Manual New Models** book that will provide you worth, acquire the categorically best seller from us currently from several preferred authors. If you desire to humorous books, lots of novels, tale, jokes, and more fictions collections are furthermore launched, from best seller to one of the most current released.

You may not be perplexed to enjoy all ebook collections Perkins Generator Service Manual New Models that we will certainly offer. It is not something like the costs. Its virtually what you need currently. This Perkins Generator Service Manual New Models, as one of the most functional sellers here will very be in the midst of the best options to review.

<https://crm.avenza.com/public/Resources/index.jsp/oil%20refinery%20training%20manual.pdf>

## **Table of Contents Perkins Generator Service Manual New Models**

1. Understanding the eBook Perkins Generator Service Manual New Models
  - The Rise of Digital Reading Perkins Generator Service Manual New Models
  - Advantages of eBooks Over Traditional Books
2. Identifying Perkins Generator Service Manual New Models
  - Exploring Different Genres
  - Considering Fiction vs. Non-Fiction
  - Determining Your Reading Goals
3. Choosing the Right eBook Platform
  - Popular eBook Platforms
  - Features to Look for in an Perkins Generator Service Manual New Models
  - User-Friendly Interface
4. Exploring eBook Recommendations from Perkins Generator Service Manual New Models
  - Personalized Recommendations
  - Perkins Generator Service Manual New Models User Reviews and Ratings
  - Perkins Generator Service Manual New Models and Bestseller Lists

5. Accessing Perkins Generator Service Manual New Models Free and Paid eBooks
  - Perkins Generator Service Manual New Models Public Domain eBooks
  - Perkins Generator Service Manual New Models eBook Subscription Services
  - Perkins Generator Service Manual New Models Budget-Friendly Options
6. Navigating Perkins Generator Service Manual New Models eBook Formats
  - ePub, PDF, MOBI, and More
  - Perkins Generator Service Manual New Models Compatibility with Devices
  - Perkins Generator Service Manual New Models Enhanced eBook Features
7. Enhancing Your Reading Experience
  - Adjustable Fonts and Text Sizes of Perkins Generator Service Manual New Models
  - Highlighting and Note-Taking Perkins Generator Service Manual New Models
  - Interactive Elements Perkins Generator Service Manual New Models
8. Staying Engaged with Perkins Generator Service Manual New Models
  - Joining Online Reading Communities
  - Participating in Virtual Book Clubs
  - Following Authors and Publishers Perkins Generator Service Manual New Models
9. Balancing eBooks and Physical Books Perkins Generator Service Manual New Models
  - Benefits of a Digital Library
  - Creating a Diverse Reading Collection Perkins Generator Service Manual New Models
10. Overcoming Reading Challenges
  - Dealing with Digital Eye Strain
  - Minimizing Distractions
  - Managing Screen Time
11. Cultivating a Reading Routine Perkins Generator Service Manual New Models
  - Setting Reading Goals Perkins Generator Service Manual New Models
  - Carving Out Dedicated Reading Time
12. Sourcing Reliable Information of Perkins Generator Service Manual New Models
  - Fact-Checking eBook Content of Perkins Generator Service Manual New Models
  - Distinguishing Credible Sources
13. Promoting Lifelong Learning

- Utilizing eBooks for Skill Development
  - Exploring Educational eBooks
14. Embracing eBook Trends
- Integration of Multimedia Elements
  - Interactive and Gamified eBooks

### **Perkins Generator Service Manual New Models Introduction**

In this digital age, the convenience of accessing information at our fingertips has become a necessity. Whether its research papers, eBooks, or user manuals, PDF files have become the preferred format for sharing and reading documents. However, the cost associated with purchasing PDF files can sometimes be a barrier for many individuals and organizations. Thankfully, there are numerous websites and platforms that allow users to download free PDF files legally. In this article, we will explore some of the best platforms to download free PDFs. One of the most popular platforms to download free PDF files is Project Gutenberg. This online library offers over 60,000 free eBooks that are in the public domain. From classic literature to historical documents, Project Gutenberg provides a wide range of PDF files that can be downloaded and enjoyed on various devices. The website is user-friendly and allows users to search for specific titles or browse through different categories. Another reliable platform for downloading Perkins Generator Service Manual New Models free PDF files is Open Library. With its vast collection of over 1 million eBooks, Open Library has something for every reader. The website offers a seamless experience by providing options to borrow or download PDF files. Users simply need to create a free account to access this treasure trove of knowledge. Open Library also allows users to contribute by uploading and sharing their own PDF files, making it a collaborative platform for book enthusiasts. For those interested in academic resources, there are websites dedicated to providing free PDFs of research papers and scientific articles. One such website is Academia.edu, which allows researchers and scholars to share their work with a global audience. Users can download PDF files of research papers, theses, and dissertations covering a wide range of subjects. Academia.edu also provides a platform for discussions and networking within the academic community. When it comes to downloading Perkins Generator Service Manual New Models free PDF files of magazines, brochures, and catalogs, Issuu is a popular choice. This digital publishing platform hosts a vast collection of publications from around the world. Users can search for specific titles or explore various categories and genres. Issuu offers a seamless reading experience with its user-friendly interface and allows users to download PDF files for offline reading. Apart from dedicated platforms, search engines also play a crucial role in finding free PDF files. Google, for instance, has an advanced search feature that allows users to filter results by file type. By specifying the file type as "PDF," users can find websites that offer free PDF downloads on a specific topic. While downloading Perkins Generator Service

Manual New Models free PDF files is convenient, its important to note that copyright laws must be respected. Always ensure that the PDF files you download are legally available for free. Many authors and publishers voluntarily provide free PDF versions of their work, but its essential to be cautious and verify the authenticity of the source before downloading Perkins Generator Service Manual New Models. In conclusion, the internet offers numerous platforms and websites that allow users to download free PDF files legally. Whether its classic literature, research papers, or magazines, there is something for everyone. The platforms mentioned in this article, such as Project Gutenberg, Open Library, Academia.edu, and Issuu, provide access to a vast collection of PDF files. However, users should always be cautious and verify the legality of the source before downloading Perkins Generator Service Manual New Models any PDF files. With these platforms, the world of PDF downloads is just a click away.

## FAQs About Perkins Generator Service Manual New Models Books

**What is a Perkins Generator Service Manual New Models PDF?** A PDF (Portable Document Format) is a file format developed by Adobe that preserves the layout and formatting of a document, regardless of the software, hardware, or operating system used to view or print it. **How do I create a Perkins Generator Service Manual New Models PDF?** There are several ways to create a PDF: Use software like Adobe Acrobat, Microsoft Word, or Google Docs, which often have built-in PDF creation tools. Print to PDF: Many applications and operating systems have a "Print to PDF" option that allows you to save a document as a PDF file instead of printing it on paper. Online converters: There are various online tools that can convert different file types to PDF. **How do I edit a Perkins Generator Service Manual New Models PDF?** Editing a PDF can be done with software like Adobe Acrobat, which allows direct editing of text, images, and other elements within the PDF. Some free tools, like PDFescape or Smallpdf, also offer basic editing capabilities. **How do I convert a Perkins Generator Service Manual New Models PDF to another file format?** There are multiple ways to convert a PDF to another format: Use online converters like Smallpdf, Zamzar, or Adobe Acrobats export feature to convert PDFs to formats like Word, Excel, JPEG, etc. Software like Adobe Acrobat, Microsoft Word, or other PDF editors may have options to export or save PDFs in different formats. **How do I password-protect a Perkins Generator Service Manual New Models PDF?** Most PDF editing software allows you to add password protection. In Adobe Acrobat, for instance, you can go to "File" -> "Properties" -> "Security" to set a password to restrict access or editing capabilities. Are there any free alternatives to Adobe Acrobat for working with PDFs? Yes, there are many free alternatives for working with PDFs, such as: LibreOffice: Offers PDF editing features. PDFsam: Allows splitting, merging, and editing PDFs. Foxit Reader: Provides basic PDF viewing and editing capabilities. How do I compress a PDF file? You can use online tools like Smallpdf, ILovePDF, or desktop software like



Adobe Acrobat to compress PDF files without significant quality loss. Compression reduces the file size, making it easier to share and download. Can I fill out forms in a PDF file? Yes, most PDF viewers/editors like Adobe Acrobat, Preview (on Mac), or various online tools allow you to fill out forms in PDF files by selecting text fields and entering information. Are there any restrictions when working with PDFs? Some PDFs might have restrictions set by their creator, such as password protection, editing restrictions, or print restrictions. Breaking these restrictions might require specific software or tools, which may or may not be legal depending on the circumstances and local laws.

**Find Perkins Generator Service Manual New Models :**

**oil refinery training manual**

**oleman owermate p 350generator ervice anual**

olympus pen e pl1 instruction manual

oldsmobile grand royal repair manual

oklahoma masonic cipher

**old school motorcycle paint jobs**

olive kitteridge fiction

omacemdy worksheet 5 1 midsegments key

olympus fe20 users guide

okuma lb15 2 programming manual

~~olivier blanchard macroeconomics 3rd edition solutions manual~~

oki c610cdn printers owners manual

oldsmobile alero 2000 manual

oki mc770 multifunction printers owners manual

~~olympus ws 100 digital voice recorder manual~~

**Perkins Generator Service Manual New Models :**

**1 259 european geography quizzes geography trivia** - Aug 08 2022

web an enormous collection of european geography trivia quizzes over 17 626 trivia questions to answer play our european geography quiz games now how much do you know

europe quiz kids geo quiz geography europe for kids geo trivia - May 05 2022

web 1 which is the most densely populated country in europe 2 which is the northernmost capital city in europe 3 which is europe s southernmost capital city 4 5 which is the most populous capital city in europe 5 which country is double landlocked in europe 6 which is the longest mountain range that is located entirely in europe 7

**europe map quiz countries of europe geographyquiz org** - Nov 11 2022

web use our europe map quiz to test your geography knowledge this quiz covers the 39 largest european countries each time you take it the questions and answers are randomly shuffled question 1 of 39 1 ireland 2 italy 3

best europe quiz 150 questions answers about europe - Sep 21 2023

web sep 27 2023 round 4 european geography quiz answers what is the most populous city in europe istanbul turkey what is europe s northernmost capital city reykjavik iceland which european country has the longest coastline norway what is the highest peak in the alps mont blanc what is the largest island in

europe geography quizzes - Jun 06 2022

web you have 6 chances to guess the answers get all questions correct and santa will keep all his present safe play now european countries flags quiz take a quiz on the flags of european countries to call upon the spirit of europe how many countries can you recognize play now multiplayer europe quiz 1 4 players play now

**uncover europe quiz britannica** - Feb 14 2023

web take this geography quiz at encyclopedia britannica and test your knowledge of capitals rivers and cities in europe *countries of europe map quiz sporcle* - Jun 18 2023

web sep 6 2022 europe map best score go orange countries of europe can you name the countries of europe by matt 8m 47 questions 23 4m plays ratings hide this ad play quiz score 0 47 timer 08 00 quiz playlist details report more info note two countries that span both the continents of europe and asia are included map type

know your european geography quiz britannica - Jul 19 2023

web question what is the longest river in europe answer as europe s longest river and the principal waterway of western russia the volga sprawls across about two fifths of the european part of russia where almost half of the entire population of russia resides question which peak is the highest active volcano in europe

europe quizzes geography triviaplaza play online trivia quizzes - Apr 04 2022

web europe geography quizzes geography quizzes about european countries capitals cities borders rivers and flags have fun with these and get graded for your trivia knowledge

europe quizzes and games sporcle - Jan 13 2023

web countries of europe in the u s some people refer to countries in europe as the old country but we like to think of them as well preserved geography 5m find the countries of europe no outlines minefield careful with those tiny countries geography

2m 10 most populous countries in order

*the ultimate europe trivia quiz 125 trivia questions all about europe* - Mar 03 2022

web in this ultimate europe trivia quiz you ll encounter a multitude of questions that will take you on a journey through european cities traditions and history you ll test your knowledge on everything from famous landmarks to european pop culture and everything in between

europe geography quiz 1 jetpunk - Jul 07 2022

web sep 20 2018 answer these random european geography questions question 1 what is the westernmost capital city on the european mainland can you answer these questions about the geography of europe

**european geography quiz howstuffworks** - Mar 15 2023

web european geography quiz by olivia cantor 3 min image shutterstock about this quiz so you think you know europe map it out and take this quiz start quiz europe is ranked as the 6th largest of this kind of formation in terms of its size island country continent territory how many countries are part of europe 45 46 47 48

**european geography quiz 114 fun questions answers beloved city** - Oct 22 2023

web may 21 2021 round 1 europe geography trivia quiz answers which countries can you find in great britain england scotland and wales which european country has the most zones france france has many oversea territories which chain of mountains separates europe and asia ural mountains how are norway sweden

**countries of europe map quiz world geography games** - May 17 2023

web challenging map quiz with the 46 countries of europe from albania to vatican city test your knowledge and train your brain

**europe countries map quiz game seterra geoguessr** - Aug 20 2023

web this europe map quiz game has got you covered from iceland to greece and everything in between this geography study aid will get you up to speed in no time while also being fun if you want to practice offline download our printable maps of europe in pdf format

**so you think you know europe try our fiendishly tricky quiz** - Oct 10 2022

web mar 6 2020 the guardian s europe quiz 1 which of these countries does not have a monarchy liechtenstein belgium finland norway reveal 2 which country has won the most eurovision titles ireland united

europe geography quiz geography games - Apr 16 2023

web play this fun geography quiz to find out how many european countries you can name choose a difficulty level to learn improve and challenge your geography skills expand your knowledge and discover the countries of europe in a fun way

quiz the geography of europe geographical - Sep 09 2022

web oct 24 2023 1 minute welcome to our european geography quiz get ready to explore the diverse and fascinating landscapes of the european continent score 75 or higher and you ll qualify for a 30 discount on a geographical subscription best of luck as we journey through europe s rich tapestry of cultures countries and natural wonders

[test your geography knowledge europe countries quiz](#) - Dec 12 2022

web question 1 of 47 score 0 out of 141 for 3 points where is bosnia and herzegovina view detailed results with option to print note for countries indicated with an asterisk please refer to the notes box for an explanation quiz mode study practice test strict test use single colored map

**paired comparison analysis working out relative importances mind tools** - Jun 09 2023

web paired comparison analysis also known as pairwise comparison helps you work out the importance of a number of options relative to one another this makes it easy to choose the most important problem to solve or to pick the solution that will be most effective

[pairwise comparison online generator pickedshares](#) - Oct 13 2023

web the pairwise comparison excel template you can use the following excel template for the same calculation as shown with this online tool it is prepared for a maximum count of 10 criteria

**pairwise comparison explanation methods examples tools** - Mar 06 2023

web may 17 2022 17 may written by daniel kyne contents what is pairwise comparison why do people use pairwise comparisons how to analyze pairwise comparison data what are the different types of pairwise comparison how to design a pairwise comparison survey what are examples of real pairwise comparison projects

[paired comparison analysis excel template visual paradigm](#) - Aug 11 2023

web visual paradigm s paired comparison analysis excel template is an easy to use customizable tool that can help you make better decisions in a fraction of the time it would take to do it manually whether you re a professional or just looking to improve your decision making skills this template is an essential tool to have in your arsenal

**pairwise comparison test excel real statistics using excel** - Feb 05 2023

web pairwise comparison test excel output from pairwise comparison test essentially a t test using msw

**25 free paired comparison analysis templates sample pdf** - Jul 30 2022

web a paired comparison analysis template is used to structure the comparisons between those options in a systemized way paired comparison worksheet excel 06 kb 1 file s downloads download pairwise comparison technique steps 431 kb 1 file s downloads download

**new ahp excel template with multiple inputs bpmmsg** - Apr 07 2023

web jul 8 2022 the workbook consists of 20 input worksheets for pair wise comparisons a sheet for the consolidation of all

judgments a summary sheet to display the result a sheet with reference tables random index limits for geometric consistency index gci judgment scales and a sheet for solving the eigenvalue problem when using the eigenvector

*40 free comparison chart templates excel templatearchive* - Apr 26 2022

web oct 20 2022 3 types of data presentation 4 comparison table templates 5 different types of comparison charts 6 advantages of using a comparison chart 7 comparison graphic 8 when is a comparison table template used 9 what is the best comparison chart 10 product comparison charts 11 how do you create a comparison chart 11 1

**10 best comparison chart templates in excel sheets clickup** - May 28 2022

web jul 25 2023 1 clickup comparison chart template use the comparison matrix template and clickup s board and list views to analyze and compare your biggest competitors the clickup comparison matrix template is one of our most powerful and popular comparison templates on clickup

how to do pairwise comparison in excel pc review - Mar 26 2022

web aug 12 2008 phillip one kind of pairwise comparisons is a statistical inference hypothesis test excel s analysis toolpak has a t test paired two sample for means feature the analysis toolpak is an add in provided on the office excel installation cd in excel 97 2003 choose tools data analysis

**pairwise comparison chart free template figjam** - Aug 31 2022

web compare candidates using the paired comparison method with our free pairwise comparison template get started with figjam today

how to do pairwise comparison in excel excelbanter - Dec 03 2022

web yes it is possible to do pairwise comparisons in excel here are the steps to do it first you need to create a table with the items you want to compare for example if you want to compare different types of fruits you can create a table with the

**how can i pairwise compare columns in excel super user** - May 08 2023

web may 31 2015 not sure you mean by without comparing each pair of cells as you have to do some work to get the result you want if the columns to compare are a and b i would put the following in cell c1 and then copy it down the entire range if a1 b1 1 then the rows that are different will have a 1 in the relevant c column

**stack ranking templates pairwise comparison or with criteria** - Sep 12 2023

web may 4 2022 stack ranking templates pairwise comparison or with criteria published may 4 2022 get free stack ranking sheets to force rank things from best to worst choose a method pairwise comparison criteria based or group ranking did you use stack ranking before this is a widely distributed method to get a list of things into order

**paired comparison analysis example lucidchart** - Oct 01 2022

web this paired comparison analysis template can help you determine the most important option among several quantify

importance for each option being evaluated collaborate with colleagues in decision making open this template to view a detailed example of a paired comparison analysis diagram that you can customize to your use case

**50 free comparison chart templates word pdf excel** - Feb 22 2022

web below are a collection of comparison chart templates that helps to make a comparison of two or more things objects in a better way you can check these templates and download too download free comparison chart templates

**paired comparison worksheet creative problem solving** - Jan 04 2023

web paired comparison analysis worksheet step 1 in the spaces below list each of your options then write a short version of the options in the grid below next to each letter in the shaded boxes this is to help you easily recall which option is which

*how to conduct a paired samples t test in excel statology* - Jul 10 2023

web feb 17 2020 a paired samples t test is used to compare the means of two samples when each observation in one sample can be paired with an observation in the other sample this tutorial explains how to conduct a paired samples t test in excel

how to conduct a paired samples t test in excel

pairwise comparison daily dose of excel - Jun 28 2022

web oct 29 2010 pairwise comparison posted on october 29 2010 by dick kusleika thanks to j walk for the terminology

pairwise comparison had i known it was called that i could have saved a lot of wasted googles in subjective sorting i used a quicksort algorithm and human input to order five movies from 1988

*pairwise comparison method pairwise ranking 1000minds* - Nov 02 2022

web next pairwise compare each candidate in a row to a different candidate in a column and pairwise rank them according to who you prefer keep track using the following simple scoring system if you prefer the row candidate over the column

candidate e g neha vs peter enter 1 in that cell and enter 0 in the inverse cell peter vs neha as in table 2

**cpr training with red cross red cross american** - Jul 20 2023

web the acs precourse self assessment is an online tool that evaluates a student s knowledge in 3 sections rhythm recognition pharmacology and practical application

**free 2022 cpr bls acs pals study guide** - Sep 22 2023

web a pulse begin cpr in a healthcare setting use a bed with a cpr feature or place a cpr board under the patient adjust the bed to an appropriate working height or use a step

**first aid practice test 1 american red cross test** - Jan 14 2023

web terms in this set 5 you are working as part of a bls team providing care to a patient in cardiac arrest which actions demonstrate critical thinking determining a course of

**american red cross cpr test review 2023** - May 06 2022

web nov 8 2023 the certificate of extraordinary personal action is given to individuals like jennifer who step up in an emergency situation and help save a life recipients of this

[cpr first aid elearning](#) - May 18 2023

web the 2021 adult first aid cpr aed blended learning course equips students to recognize and care for a variety of first aid breathing and cardiac emergencies involving adults it is

**how to perform cpr red cross american red cross** - Jul 28 2021

**lifeguard practice test proprofs quiz** - Mar 04 2022

web 11 24 2023 11 24 2023 501 w market st akron oh 44303 combines the flexibility of online with hands on training provides full certification start taking your course

[skill sheet cpr for adults american red cross](#) - Aug 21 2023

web how is rescue breathing done american red cross cpr test learn with flashcards games and more for free

*cpr aed for professional rescuers and health care providers* - Mar 16 2023

web american red cross cpr training classes give you the information and the skills you need to help adults children and infants during cardiac emergencies whether you choose

*american red cross bls course pre assessment flashcards* - Oct 11 2022

web stop cpr and check for a pulse mr hernandez has a pulse and is making an effort to breathe but is still unresponsive the monitor shows normal sinus rhythm with a rate of

[cpr test american red cross flashcards quizlet](#) - Oct 23 2023

web american red cross cpr test learn with flashcards games and more for free

[cpr training train cpr with red cross red cross](#) - Dec 13 2022

web oct 21 2020 description the acls precourse self assessment is an online tool that evaluates a student s knowledge in 3 sections rhythm recognition pharmacology and

**cpr online classes online cpr class red cross american** - Oct 31 2021

web cardiopulmonary resuscitation cpr automated external defibrillator aed basic life support bls als pals babysitting childcare learning how to perform cpr

[singapore red cross academy](#) - Aug 09 2022

web dec 27 2022 14 items 1 exam elaborations american red cross bls training lesson 2 exam questions with correct answers 2 exam elaborations bls american red cross

**cpr practice test questions and answers cpr certification** - Nov 12 2022

web singapore red cross academy conducts a wide range of standard and specialised first aid courses for volunteers and the community to empower them to respond to emergencies

**adult first aid cpr aed bl r 21 american red cross** - Feb 15 2023

web find out if you re up to speed with your cpr knowledge by taking this free practice cpr test these questions and answers reflect the latest american heart association

**online cpr cheat sheet** - Apr 05 2022

web the 2021 adult cpr aed course equips students to recognize and care for a variety of breathing and cardiac the content of this review regarding the quality and value of this

**cpr renewal recertification red cross** - Aug 29 2021

*get your official cpr certification red cross* - Apr 17 2023

web first aid practice test 1 american red cross test 3 0 27 reviews get a hint 1 although choking is common in infants and children more than die

adult first aid cpr aed bl r 21 american red cross - Dec 01 2021

web official red cross website keep your certifications current our cpr renewal courses make it easy to refresh your skills and maintain your credentials

**anything can happen at any time charleston american red** - Feb 03 2022

web classes from the american red cross take only a few short hours but can help you save a life when every second counts designed for coaches parents adults and teenagers our

cpr steps perform cpr red cross american red cross - Sep 29 2021

**americanredcrosscprpretest** - Jun 07 2022

web mar 6 2023 well red cross has almost around 17 million volunteers worldwide but being a volunteer takes a mandatory certification exam which ensures if you are ready to

*cpr aed first aid test american red cross flashcards* - Jun 19 2023

web this cpr aed for professional rescuers and health care providers handbook is part of the american red cross cpr aed for professional rescuers and health care providers

*adult cpr aed r 21 san diego ca red cross american red* - Jan 02 2022

web learn the right cpr steps our printable guide lists the steps for performing cpr correctly so you can help someone in need 10 off and free shipping on all training



**als american red cross flashcards quizlet** - Jul 08 2022

web cpr answer key american red cross online cpr cheat sheet online review questions bls study guide quizlet bls provider manual 2019 pdf free first aid acls pretest

**acls precourse self assessment american heart association** - Sep 10 2022

web american red cross lifeguard exam feb 03 2023 this practice test includes 140 multiple choice test questions about american red cross lifeguard exam the test has been