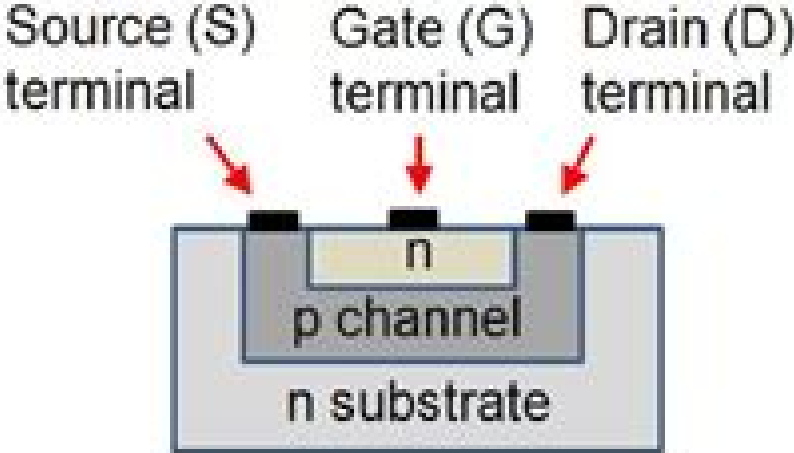
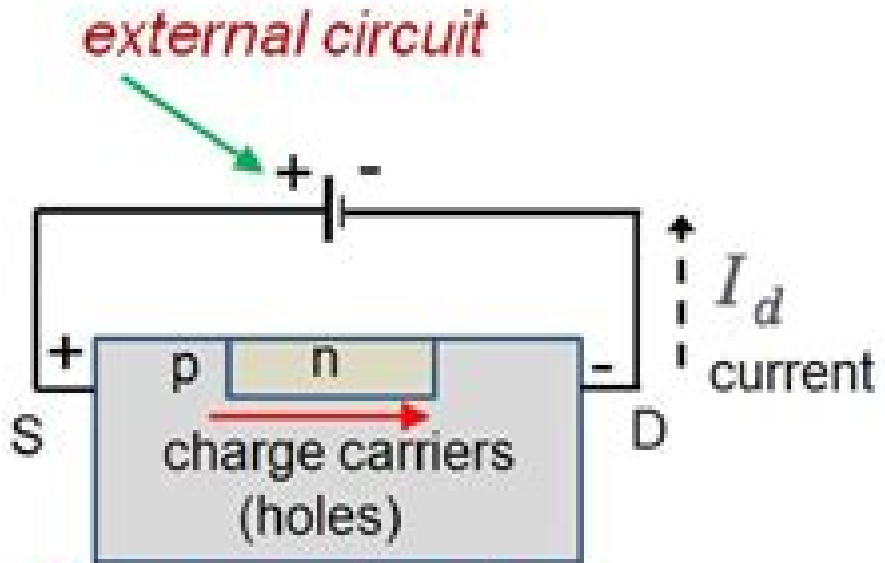


p-channel FET



p channel FET



Charge carriers flow through p-channel FET

P Channel Fet Circuit

Albert A Gayle



P Channel Fet Circuit:

Pulse and Digital Circuits Rao K Venkata, 2010 Pulse and Digital Circuits is designed to cater to the needs of undergraduate students of electronics and communication engineering. Written in a lucid student friendly style it covers key topics in the area of pulse and digital circuits. This is an introductory text that discusses the basic concepts involved in the design operation and analysis of waveshaping circuits. The book includes a preliminary chapter that reviews the concepts needed to understand the subject matter. Each concept in the book is accompanied by self explanatory circuit diagrams. Interspersed with numerous solved problems the text presents detailed analysis of key concepts. Multivibrators and sweep generators are covered in great detail in the book. *Printed Organic and Molecular Electronics* Daniel R. Gamota, Paul Brazis, Krishna Kalyanasundaram, Jie Zhang, 2013-11-27 Printed Organic And Molecular Electronics was compiled to create a reference that included existing knowledge from the most renowned industry academic and government experts in the fields of organic semiconductor technology graphic arts printing micro contact printing and molecular electronics. It is divided into sections that consist of the most critical topics required for one to develop a strong understanding of the states of these technologies and the paths for taking them from R D to the hands of consumers on a massive scale. As such the book provides both theory as well as technology development results and trends.

Optoisolation Circuits: Nonlinearity Applications In Engineering Ofer Aluf, 2012-06-08 This book describes a new concept in analyzing circuits which includes optoisolation elements. The analysis is based on nonlinear dynamics and chaos models and shows comprehensive benefits and results. All conceptual optoisolation circuits are innovative and can be broadly implemented in engineering applications. The dynamics of optoisolation circuits provides several ways to use them in a variety of applications covering wide areas. The presentation fills the gap of analytical methods for optoisolation circuits analysis concrete examples and geometric examples. The optoisolation circuits analysis is developed systematically starting with basic optoisolation circuits differential equations and their bifurcations followed by Fixed points analysis limit cycles and their bifurcations. Optoisolation circuits can be characterized as Lorenz equations chaos iterated maps period doubling and attractors. This book is aimed at electrical and electronic engineers students and researchers in physics as well. A unique features of the book are its emphasis on practical and innovative engineering applications. These include optocouplers in a variety topological structures passive components conservative elements dissipative elements active devices etc. In each chapter the concept is developed from the basic assumptions up to the final engineering outcomes. The scientific background is explained at basic and advance levels and closely integrated with mathematical theory. Many examples are presented in this book and it is also ideal for an intermediate level courses at graduate level studies. It is also ideal for engineer who has not had formal instruction in nonlinear dynamics but who now desires to fill the gap between innovative optoisolation circuits and advance mathematical analysis methods.

ANALOG ELECTRONIC CIRCUITS Dr. V.N.Lakshmana Kumar, Dr.G.Anjaneyulu, Dr.D.Rama Devi, Dr.V.Lavanya, 2022-03-15

ANALOG ELECTRONIC CIRCUITS BOOK WRITTEN BY Dr V N Lakshmana Kumar Dr G Anjaneyulu Dr D Ramadevi Dr V Lavanya FROM Maharaj Vijayaram Gajapathi Raj College of Engineering Autonomous Vizianagaram Andhra Pradesh India Pin Code 535005 *Official Gazette of the United States Patent and Trademark Office United States. Patent and Trademark Office,2001* **Nanotechnology For Electronics, Biosensors, Additive Manufacturing And Emerging Systems Applications** Faquir C Jain,C Broadbridge,M Gherasimova,Hong Tang,2021-06-22 Published as part of the well established book series Selected Topics in Electronics and Systems this compendium features 18 peer reviewed articles focusing on high performance materials and emerging devices for implementation in high speed electronic systems Wide ranging topics span from novel materials and devices biosensors and bio nano systems artificial intelligence robotics and emerging technologies to applications in each of these fields Systems for implementing data with security tokens single chemical sensor for multi analyte mixture detection RF energy harvesters additively manufactured RF devices for 5G IoT RFID and smart city applications are also prominently included Written by eminent researchers recent developments also highlight equivalent circuits models at room temperature and 4.2 K quantum dot nonvolatile memories 3D confined quantum dot channel QDC and spatial wavefunction switched SWS FETs for high speed multi bit logic and novel system applications **Official Gazette of the United States Patent and Trademark Office** ,1997 *High-Speed Electronics* Bengt Källbäck,Heinz Beneking,2013-03-08 In the past a number of Satellite Conferences have been held in connection with the International Conference on Physics of Semiconductors covering selected fields of interest In 1986 when the main conference was held in Stockholm Sweden new phenomena had to be discussed super lattices hot electron phenomena and new device structures for high speed applications The aim was to select topics which would be of interest to physicists as well as to electronics engineers Therefore a Satellite Conference on High Speed Electronics Basic Physical Phenomena and Device Principles was arranged at Saltjobaden a coastal resort near Stockholm An organizing committee was established after the first suggestion made by Professor Grimmeiss from the University of Lund Sweden and some preliminary discussions on the Conference format A Program Committee was established to be responsible for the further selection of the invited talks the regular papers and poster presentation The aim was to have a broad spectrum of contributions to attract physicists as well as device oriented engineers and to stimulate discussions among the participants These Proceedings contain all oral and poster presentations with emphasis on the invited talks which give a competent overview of the field The fast publication by Springer Verlag has permitted the presentation of an up to date survey of the principles of high speed electronics Incorporation in the Springer Series in Electronics and Photonics will enable the book to be distributed worldwide and to reach all interested scientists **Electrical and Electronics Engineering** Mr. Rohit Manglik,2024-01-13 EduGorilla Publication is a trusted name in the education sector committed to empowering learners with high quality study materials and resources Specializing in competitive exams and academic support EduGorilla provides comprehensive and well structured content

tailored to meet the needs of students across various streams and levels *A Practical Introduction to Electronic Circuits* Martin Hartley Jones,1995-11-09 A practically based explanation of electronic circuitry *Building and Designing Transistor Radios* R. H. Warring,2023-10-26 In his characteristic accessible and clear style R H Warring offers a guide for the radio amateur to many of the things one ought to know when tackling a radio project Warring describes and illustrates the design and working characteristics of the basic electronic blocks from which radio receivers can be constructed and shows the reader how to incorporate additional simple circuits such as volume and tone controls and automatic gain control to build upon these basic blocks Straightforward calculations are provided to determine the values of components like resistors capacitors and inductances to optimise your results Building and Designing Transistor Radios will equip you with the skills and knowledge properly to understand transistor radios Special attention is paid to the transistor the most important component which the author provides insightful advice on By understanding the operating characteristics of the radio s different elements the reader can learn how to devise circuits so that they perform most efficiently With 80 diagrams no excessively complicated circuitry and minimal mathematical calculations included this book first published in 1977 remains perfect for amateurs and enthusiasts **Transparent Oxide Electronics** Pedro Barquinha,Rodrigo Martins,Luis Pereira,Elvira Fortunato,2012-04-09 Transparent electronics is emerging as one of the most promising technologies for the next generation of electronic products away from the traditional silicon technology It is essential for touch display panels solar cells LEDs and antistatic coatings The book describes the concept of transparent electronics passive and active oxide semiconductors multicomponent dielectrics and their importance for a new era of novel electronic materials and products This is followed by a short history of transistors and how oxides have revolutionized this field It concludes with a glance at low cost disposable and lightweight devices for the next generation of ergonomic and functional discrete devices Chapters cover Properties and applications of n type oxide semiconductors P type conductors and semiconductors including copper oxide and tin monoxide Low temperature processed dielectrics n and p type thin film transistors TFTs structure physics and brief history Paper electronics Paper transistors paper memories and paper batteries Applications of oxide TFTs transparent circuits active matrices for displays and biosensors Written by a team of renowned world experts Transparent Oxide Electronics From Materials to Devices gives an overview of the world of transparent electronics and showcases groundbreaking work on paper transistors Basic Electronics Rakesh Kumar Garg,Ashish Dixit,Pavan Yadav,2008

Aromatic Polycyclic Hydrocarbons—Advances in Research and Application: 2013 Edition ,2013-06-21 Aromatic Polycyclic Hydrocarbons Advances in Research and Application 2013 Edition is a ScholarlyEditions book that delivers timely authoritative and comprehensive information about Naphthalenes The editors have built Aromatic Polycyclic Hydrocarbons Advances in Research and Application 2013 Edition on the vast information databases of ScholarlyNews You can expect the information about Naphthalenes in this book to be deeper than what you can access anywhere else as well as consistently

reliable authoritative informed and relevant The content of Aromatic Polycyclic Hydrocarbons Advances in Research and Application 2013 Edition has been produced by the world s leading scientists engineers analysts research institutions and companies All of the content is from peer reviewed sources and all of it is written assembled and edited by the editors at ScholarlyEditions and available exclusively from us You now have a source you can cite with authority confidence and credibility More information is available at <http://www.ScholarlyEditions.com>

Modern Devices Charles L. Joseph,Santiago Bernal,2016-05-02 Focuses on the common recurring physical principles behind sophisticated modern devices This book discusses the principles of physics through applications of state of the art technologies and advanced instruments The authors use diagrams sketches and graphs coupled with equations and mathematical analysis to enhance the reader s understanding of modern devices Readers will learn to identify common underlying physical principles that govern several types of devices while gaining an understanding of the performance trade off imposed by the physical limitations of various processing methods The topics discussed in the book assume readers have taken an introductory physics course college algebra and have a basic understanding of calculus Describes the basic physics behind a large number of devices encountered in everyday life from the air conditioner to Blu ray discs Covers state of the art devices such as spectrographs photoelectric image sensors spacecraft systems astronomical and planetary observatories biomedical imaging instruments particle accelerators and jet engines Includes access to a book companion site that houses Power Point slides

Modern Devices The Simple Physics of Sophisticated Technology is designed as a reference for professionals that would like to gain a basic understanding of the operation of complex technologies The book is also suitable as a textbook for upper level undergraduate non major students interested in physics

Electronics Devices And Circuits P J Paul,2007 This Book Provides A Systematic And Thorough Exposition Of Electronic Devices And Circuits The Various Principles Are Explained In Detail And The Interconnections Between Different Concepts Are Suitably Highlighted The Book Begins By Explaining The Transition From Physics To Electronic Devices And Highlights The Linkages Between The Two A Detailed Treatment Of Semiconductor Devices And Circuits Is Then Presented Followed By A Comprehensive Discussion Of Bipolar Junction Transistor Bjt The Next Two Chapters Focus On Field Effect Transistor Fet Power Devices And Cathode Ray Oscilloscope Are Then Explained The Book Includes A Large Number Of Solved Examples To Illustrate The Concepts And Techniques Discussed Review Questions Unsolved Problems With Answers And Objective Questions Are Included Throughout The Book The Book Would Serve As An Excellent Text For Both Degree And Diploma Students Of Electrical Electronics Computer And Instrumentation Engineering Amie Candidates Would Also Find It Extremely Useful

Analog Electronic Circuits Kumar Raja D R,Syed Thouheed Ahmed,Syed Muzamil Basha,2022-09-01 This book is an introductory textbook on Analog Electronics and circuits for undergraduate Post graduate and beginner students It aims at exploring the basic electronic devices such as clippers clampers oscillators and Operational Amplifiers It also explores the applications of clipper circuits in

relevant places to inculcate interest among readers It is probably no longer possible to cover everything in a single semester Because of this we have structured the book so that readers can find easy to understand the basic electronic circuits

Electronic Devices and Circuits ,2006 Designed As A Textbook For Undergraduate Students This Text Provides A Thorough Treatment Of The Fundamental Concepts Of Electronic Devices And Circuits All The Fundamental Concepts Of The Subject Including Integrated Circuit Theory Are Covered Extensively Along With Necessary Illustrations Special Emphasis Has Been Placed On Circuit Diagrams Graphs Equivalent Circuits Bipolar Junction Transistors And Field Effect Transistors

Electronics and Instrumentation Gupta B.R.,2008 Electronic Tubes Semiconductor Devices Diode Circuits Amplifier Circuits Oscillator Circuits Thyristor Circuits Ic And Operational Amplifiers Logic Circuits And Number Systems Electrical Instruments Electronic Instruments Transducers Appendices A Obje *Electronic Circuits* Ulrich Tietze,Christoph Schenk,Eberhard Gamm,2015-12-09 Electronic Circuits covers all important aspects and applications of modern analog and digital circuit design The basics such as analog and digital circuits on operational amplifiers combinatorial and sequential logic and memories are treated in Part I while Part II deals with applications Each chapter offers solutions that enable the reader to understand ready made circuits or to proceed quickly from an idea to a working circuit and always illustrated by an example Analog applications cover such topics as analog computing circuits The digital sections deal with AD and DA conversion digital computing circuits microprocessors and digital filters This editions contains the basic electronics for mobile communications The accompanying CD ROM contains PSPICE software an analog circuit simulation package plus simulation examples and model libraries related to the book topics

Thank you very much for reading **P Channel Fet Circuit**. Maybe you have knowledge that, people have look hundreds times for their favorite books like this P Channel Fet Circuit, but end up in infectious downloads.

Rather than enjoying a good book with a cup of coffee in the afternoon, instead they juggled with some infectious virus inside their desktop computer.

P Channel Fet Circuit is available in our digital library an online access to it is set as public so you can get it instantly. Our books collection spans in multiple countries, allowing you to get the most less latency time to download any of our books like this one.

Merely said, the P Channel Fet Circuit is universally compatible with any devices to read

<https://crm.avenza.com/results/book-search/index.jsp/Novemeber2014%20Geography%20Exam%20Grade%201.pdf>

Table of Contents P Channel Fet Circuit

1. Understanding the eBook P Channel Fet Circuit
 - The Rise of Digital Reading P Channel Fet Circuit
 - Advantages of eBooks Over Traditional Books
2. Identifying P Channel Fet Circuit
 - Exploring Different Genres
 - Considering Fiction vs. Non-Fiction
 - Determining Your Reading Goals
3. Choosing the Right eBook Platform
 - Popular eBook Platforms
 - Features to Look for in an P Channel Fet Circuit
 - User-Friendly Interface
4. Exploring eBook Recommendations from P Channel Fet Circuit
 - Personalized Recommendations
 - P Channel Fet Circuit User Reviews and Ratings

- P Channel Fet Circuit and Bestseller Lists
- 5. Accessing P Channel Fet Circuit Free and Paid eBooks
 - P Channel Fet Circuit Public Domain eBooks
 - P Channel Fet Circuit eBook Subscription Services
 - P Channel Fet Circuit Budget-Friendly Options
- 6. Navigating P Channel Fet Circuit eBook Formats
 - ePub, PDF, MOBI, and More
 - P Channel Fet Circuit Compatibility with Devices
 - P Channel Fet Circuit Enhanced eBook Features
- 7. Enhancing Your Reading Experience
 - Adjustable Fonts and Text Sizes of P Channel Fet Circuit
 - Highlighting and Note-Taking P Channel Fet Circuit
 - Interactive Elements P Channel Fet Circuit
- 8. Staying Engaged with P Channel Fet Circuit
 - Joining Online Reading Communities
 - Participating in Virtual Book Clubs
 - Following Authors and Publishers P Channel Fet Circuit
- 9. Balancing eBooks and Physical Books P Channel Fet Circuit
 - Benefits of a Digital Library
 - Creating a Diverse Reading Collection P Channel Fet Circuit
- 10. Overcoming Reading Challenges
 - Dealing with Digital Eye Strain
 - Minimizing Distractions
 - Managing Screen Time
- 11. Cultivating a Reading Routine P Channel Fet Circuit
 - Setting Reading Goals P Channel Fet Circuit
 - Carving Out Dedicated Reading Time
- 12. Sourcing Reliable Information of P Channel Fet Circuit
 - Fact-Checking eBook Content of P Channel Fet Circuit
 - Distinguishing Credible Sources

13. Promoting Lifelong Learning
 - Utilizing eBooks for Skill Development
 - Exploring Educational eBooks
14. Embracing eBook Trends
 - Integration of Multimedia Elements
 - Interactive and Gamified eBooks

P Channel Fet Circuit Introduction

P Channel Fet Circuit Offers over 60,000 free eBooks, including many classics that are in the public domain. Open Library: Provides access to over 1 million free eBooks, including classic literature and contemporary works. P Channel Fet Circuit Offers a vast collection of books, some of which are available for free as PDF downloads, particularly older books in the public domain. P Channel Fet Circuit : This website hosts a vast collection of scientific articles, books, and textbooks. While it operates in a legal gray area due to copyright issues, its a popular resource for finding various publications. Internet Archive for P Channel Fet Circuit : Has an extensive collection of digital content, including books, articles, videos, and more. It has a massive library of free downloadable books. Free-eBooks P Channel Fet Circuit Offers a diverse range of free eBooks across various genres. P Channel Fet Circuit Focuses mainly on educational books, textbooks, and business books. It offers free PDF downloads for educational purposes. P Channel Fet Circuit Provides a large selection of free eBooks in different genres, which are available for download in various formats, including PDF. Finding specific P Channel Fet Circuit, especially related to P Channel Fet Circuit, might be challenging as theyre often artistic creations rather than practical blueprints. However, you can explore the following steps to search for or create your own Online Searches: Look for websites, forums, or blogs dedicated to P Channel Fet Circuit, Sometimes enthusiasts share their designs or concepts in PDF format. Books and Magazines Some P Channel Fet Circuit books or magazines might include. Look for these in online stores or libraries. Remember that while P Channel Fet Circuit, sharing copyrighted material without permission is not legal. Always ensure youre either creating your own or obtaining them from legitimate sources that allow sharing and downloading. Library Check if your local library offers eBook lending services. Many libraries have digital catalogs where you can borrow P Channel Fet Circuit eBooks for free, including popular titles. Online Retailers: Websites like Amazon, Google Books, or Apple Books often sell eBooks. Sometimes, authors or publishers offer promotions or free periods for certain books. Authors Website Occasionally, authors provide excerpts or short stories for free on their websites. While this might not be the P Channel Fet Circuit full book , it can give you a taste of the authors writing style. Subscription Services Platforms like Kindle Unlimited or Scribd offer subscription-based access to a wide range of P Channel Fet Circuit eBooks, including some popular titles.

FAQs About P Channel Fet Circuit Books

How do I know which eBook platform is the best for me? Finding the best eBook platform depends on your reading preferences and device compatibility. Research different platforms, read user reviews, and explore their features before making a choice. Are free eBooks of good quality? Yes, many reputable platforms offer high-quality free eBooks, including classics and public domain works. However, make sure to verify the source to ensure the eBook credibility. Can I read eBooks without an eReader? Absolutely! Most eBook platforms offer web-based readers or mobile apps that allow you to read eBooks on your computer, tablet, or smartphone. How do I avoid digital eye strain while reading eBooks? To prevent digital eye strain, take regular breaks, adjust the font size and background color, and ensure proper lighting while reading eBooks. What the advantage of interactive eBooks? Interactive eBooks incorporate multimedia elements, quizzes, and activities, enhancing the reader engagement and providing a more immersive learning experience. P Channel Fet Circuit is one of the best book in our library for free trial. We provide copy of P Channel Fet Circuit in digital format, so the resources that you find are reliable. There are also many Ebooks of related with P Channel Fet Circuit. Where to download P Channel Fet Circuit online for free? Are you looking for P Channel Fet Circuit PDF? This is definitely going to save you time and cash in something you should think about.

Find P Channel Fet Circuit :

novemeber2014 geography exam grade 10

~~nrp edition 6 manual~~

nttf entrance exam model question paper

nt11computer structure and logic quiz 9

nrtbwrar ine ules o reak hen omancing ake

~~now polaris outlaw 500 2006 2007 service repair workshop manual~~

nra handgun instructor manual

november 20accounts paper 2 mark scheme

~~nse exam papers 2011 june~~

ntpc guide to finance

now klf250 klf bayou workhorse 250 03 05 service repair workshop manual instant

now kaf620 kaf 620 mule 3000 3010 3020 service repair workshop manual instant

november 2014 grade 11 mpumalanga exmplars and memobtourism

nsfas application form 2014 university of venda
nt12lab manual answers

P Channel Fet Circuit :

marlene dumas rosemarie trockel werke aus der sam 2022 - Apr 01 2023

web marlene dumas rosemarie trockel werke aus der sam 1 marlene dumas rosemarie trockel werke aus der sam 2 marlene dumas rosemarie trockel werke aus der sam 2022 03 22 personal reflections together these quotes span some of the most revealing moments of ai weiwei s eventful career

marlene dumas rosemarie trockel werke aus der sam pdf - Jul 24 2022

web apr 24 2023 beinhaltet werke der künstlerinnen marlene dumas geb 1953 und rosemarie trockel geb 1952 aus der sammlung des köln er Ehepaars ute und eberhard garnatz

marlene dumas rosemarie trockel werke aus der sam pdf - Jun 22 2022

web das buch beinhaltet werke der künstlerinnen marlene dumas geb 1953 und rosemarie trockel geb 1952 aus der sammlung des köln er Ehepaars ute und eberhard garnatz letztere sammelten seit den 60er Jahren bis heute Kunst aus den Bereichen Malerei Fotografie Zeichnung Druckgrafik sowie Plastik und Objektkunst 0 in dem

marlene dumas rosemarie trockel werke aus der sam pdf - Aug 25 2022

web mar 18 2023 marlene dumas rosemarie trockel werke aus der sam but end taking place in harmful downloads rather than enjoying a good book in the manner of a mug of coffee in the afternoon then again they juggled subsequent to some harmful virus inside their computer marlene dumas rosemarie trockel werke aus der sam is reachable in

marlene dumas rosemarie trockel werke aus der sam pdf - Mar 20 2022

web nov 25 2022 from the costs its approximately what you need currently this marlene dumas rosemarie trockel werke aus der sam as one of the most full of life sellers here will enormously be accompanied by the best options to review die visionen des arnold schönberg arnold schoenberg 2002 edited by max hollein and blazenka perica

marlene dumas rosemarie trockel werke aus der sam full - Oct 27 2022

web marlene dumas rosemarie trockel werke aus der sam folk archive jeremy deller 2005 this is a book about the creative life of britain and the first attempt since the festival of britain to document the popular and folk art of the present day bookworks org uk asp detail asp uid book e46009bd 166d 4e0c 9f38

marlene dumas rosemarie trockel werke aus der sam - Feb 16 2022

web sep 2 2023 marlene dumas rosemarie trockel werke aus der sam 1 6 downloaded from uniport edu ng on september 2 2023 by guest marlene dumas rosemarie trockel werke aus der sam recognizing the pretentiousness ways to get this ebook

marlene dumas rosemarie trockel werke aus der sam is additionally useful

marlene dumas wikipedia - Dec 29 2022

web she studied psychology at the university of amsterdam in 1979 and 1980 3 she currently lives and works in the netherlands and is one of the country s most prolific artists 9 dumas has also featured in some films miss interpreted 1997 alice neel 2007 kentrige and dumas in conversation 2009 the future is now 2011 and screwed

marlene dumas rosemarie trockel ernster - May 02 2023

web apr 16 2018 marlene dumas rosemarie trockel werke aus der sammlung garnatz isbn 9783731907039

marlene dumas rosemarie trockel werke aus der sam 2023 - Sep 25 2022

web this catalogue accompanies german artist rosemarie trockel s born 1952 solo exhibition at kunsthau bregenz in austria including the artist s newer print works based on trockel s sojourn in the area this multimedia work focuses on the unique fashions customs and cultural conventions of

marlene dumas rosemarie trockel werke aus der sam - Nov 27 2022

web das buch beinhaltet werke der künstlerinnen marlene dumas geb 1953 und rosemarie trockel geb 1952 aus der sammlung des köln er Ehepaars ute und eberhard garnatz letztere sammelten seit den 60er Jahren bis heute Kunst aus den Bereichen Malerei Fotografie Zeichnung Druckgrafik sowie Plastik und Objektkunst 0in dem

marlene dumas biography marlene dumas on artnet - Jul 04 2023

web marlene dumas rosemarie trockel werke aus der sammlung garnatz städtischen galerie karlsruhe karlsruhe germany moonrise marlene dumas edvard munch munchmuseet oslo curated by marlene dumas

marlene dumas rosemarie trockel werke aus der sam david - May 22 2022

web marquis de sade in this the first book length study of cooper s life and work diarmuid hester shows that such comparisons hardly scratch the surface a lively retrospective appraisal of cooper s fifty year career wrong tracks the emergence of cooper s singular style alongside his participation in a number of american

marlene dumas rosemarie trockel werke aus der sam 2022 - Aug 05 2023

web 2 marlene dumas rosemarie trockel werke aus der sam 2021 12 29 marlene dumas rosemarie trockel werke aus der sam 2021 12 29 laney harper forty are better than one abrams das buch beinhaltet werke der künstlerinnen marlene dumas geb 1953 und rosemarie trockel geb 1952 aus der sammlung des köln er Ehepaars

marlene dumas rosemarie trockel werke aus der sam - Apr 20 2022

web 2 marlene dumas rosemarie trockel werke aus der sam 2022 10 20 history s turbulences and their individual sensibilities and voices in light of recent tumultuous historical developments this book accompanying an exhibition at wiels brussels discusses the striking absence of art museums in urgent public debate although

marlene dumas rosemarie trockel werke aus der sam pdf - Sep 06 2023

web das buch beinhaltet werke der künstlerinnen marlene dumas geb 1953 und rosemarie trockel geb 1952 aus der sammlung des köln er Ehepaars ute und eberhard garnatz letztere sammelten seit den 60er Jahren bis heute Kunst aus den Bereichen Malerei Fotografie Zeichnung Druckgrafik sowie Plastik und Objektkunst in dem

die schrecklich schÖne kunst der marlene dumas - Feb 28 2023

web nov 3 2013 von sabine weier für die schirn hat marlene dumas ein gemälde von théodore géricault interpretiert sie gilt als eine der erfolgreichsten Malerinnen der Gegenwartskunst schön sei nur was auch die schreckliche Seite des Lebens zeige das mache Kunst aus sagt marlene dumas es scheint als spreche sie dem französischen

marlene dumas rosemarie trockel michael imhof verlag - Oct 07 2023

web marlene dumas rosemarie trockel werke aus der sammlung garnatz herausgeber stadt karlsruhe städtische galerie städtische galerie karlsruhe 22 april bis 24 juni 2018 das buch beinhaltet werke der künstlerinnen marlene dumas geb 1953 und rosemarie trockel geb 1952 aus der sammlung des köln er Ehepaars ute und

marlene dumas rosemarie trockel werke aus der sam pdf - Jun 03 2023

web sep 16 2023 marlene dumas rosemarie trockel werke aus der sam that you are looking for it will extremely squander the time however below in the same way as you visit this web page it will be consequently certainly easy to acquire as without difficulty as download guide marlene dumas rosemarie trockel werke aus der sam

marlene dumas wikipedia - Jan 30 2023

web marlene dumas 3 august 1953 in kapstadt ist eine südafrikanische Künstlerin sie lebt und arbeitet seit 1977 in amsterdam 1 in der vergangenheit hat dumas gemälde collagen zeichnungen drucke und installationen angefertigt heute arbeitet sie vorwiegend mit den Techniken Öl auf leinwand und tusche oder aquarell auf papier

the book of revelation god archive org - Sep 12 2023

web thebookofrevelation identifier ark ark 13960 t3gx5537z ocr abby finereader 9 0 ppi 300 this is a book from god s holy word the lord himself dictated every word in the original languages see jeremiah 36 1 4 for an example

revelation archives the gospel coalition - Apr 26 2022

web chapters discover the book of revelation with free bible study material courses podcasts articles sermons and more from the gospel coalition

why did hamas choose now to attack israel the atlantic - Feb 22 2022

web 1 day ago many more hostages it appears were taken off camera than on but a day that started under control with a coordinated surprise attack by literally thousands of armed men does not appear to have

assassin s creed revelations the lost archive on steam - May 28 2022

web assassin s creed revelations the lost archive on steam explore the mysterious pasts of subject 16 and lucy stillman in two hours of all new content

revelation pictures free download borrow and streaming archive - Jun 09 2023

web 2017 topics revelation holy bible bible art bible pictures the book of revelation scriptures illustrated bible end times christian art christian pictures bible images

the light revelations season 3 the light archive org - Jun 28 2022

web season 3 of the light a series that explores islam and western civilization

talk book of revelation archive 1 wikipedia - Jan 24 2022

web the book of revelation doesn t belong to the past or the future alone and neither is it an occult description of historical events it is a revelation of the word of god by which all things both calamity and deliverance are upheld as i ve understood the idealist interpretation to maintain

revelation aune david e david edward archive org - Aug 11 2023

web jan 19 2023 internet archive language english 3 volumes 1354 pages 24 cm commentary includes the author s translation of revelation includes bibliographical references and indexes 1 revelation 1 5 2 revelation 6 16 3 revelation 17 22 access restricted item true

sermons in revelation wisdom international - Aug 31 2022

web feb 14 2022 scripture reference rev 22 20 21 series sermons in revelation this is the collection of stephen davey s full length sermons you can listen or download the manuscript for every lesson in stephen s bible teaching archive we believe the bible is god s word and that it speaks with authority to our lives

revelation free download borrow and streaming internet archive - Mar 06 2023

web english xlviii 455 pages 24 cm dr ford addresses the seemingly infinite questions surrounding the book of revelation issues of authorship date literary composition theology audience purpose and the meaning of john s now obscure symbolism occupy ford throughout

directory listing for ia600303 us archive org - Nov 02 2022

web directory listing for ia600303 us archive org

assassin s creed revelations the lost archive full walkthrough - Jan 04 2023

web sep 8 2022 about assassin s creed revelations the lost archive full walkthrough guide video in 4k 2160p 60fps no commentaryac revelations 4k playlist bit l

the light free download borrow and streaming internet archive - Jul 30 2022

web the light revelations pt 24 the path of tawheed hd 720pth of tawheed hd 720p mp4 download 140 4m the light

revelations pt 25 repelling the swords of irjaa 720p mp4 download

assassin s creed revelations usa archive org - May 08 2023

web description assassin s creed revelations is an entry in the historical series with an open world environment and a focus on stealthy gameplay once desmond miles is forced to stab his ally he falls into a coma he then returns to the animus to retain his consciousness

resident evil revelations free download borrow and - Feb 05 2023

web apr 24 2021 resident evil revelations marks a return to the survival horror roots of the franchise from the action centric gameplay of the previous title resident evil 5 the game takes place before part five in 2005 and after the total destruction of the ultra modern sea based city of terragrugia by terrorists using old umbrella style b o w s or bio

internet archive books free texts free download borrow and - Dec 03 2022

web books contributed by the internet archive due to a planned power outage on friday 1 14 between 8am 1pm pst some services may be impacted

[the book of revelation series video steven anderson archive](#) - Jul 10 2023

web revelation series video version complete series of bible studies on the book of revelation by pastor steven l anderson from faithful word baptist church in tempe az 2013 thepreaching com

tureng revelation türkçe İngilizce sözlük - Apr 07 2023

web vahiy İngilizce türkçe online sözlük tureng kelime ve terimleri çevir ve farklı aksanlarda sesli dinleme revelation vahiy self revelation kendi hakkında bilgi verme ne demek

revelation 2022 5000 series pastor joseph prudhomme archive - Oct 01 2022

web feb 15 2022 revelation 2022 scanner internet archive html5 uploader 1 6 4 sound sound plus circle add review

comment reviews there are no reviews yet be the first one to write a review 1 591 views download options download 34 files h 264 ia uplevel back 3 3g

conspiracy revelation archive facebook - Mar 26 2022

web conspiracy revelation archive 509 likes conspiracy revelation archive verschwörungsenthüllungsarchiv

tour d horizon des nouveaux lieux du street art en france - Sep 25 2022

web de paris aux grandes villes de région en passant par la rase campagne de nouveaux espaces dédiés à la création fleurissent un peu partout dans l hexagone programmation pointue ou confuse accès gratuit ou payant cet art pour tous mais de moins en moins pour toutes les bourses gagne indéniablement du terrain 1

explore street art in france a guide bobee spot - Jun 03 2023

web 14 november 2020 have you noticed how much street art has been all the rage for a few years it has become a real

cultural heritage in many french cities artists fascinate with their talent and ingenuity these explosions of colors attract more and more walkers in the course of the streets sometimes hidden and unknown

the street art of paris france - Jan 30 2023

web jan 4 2023 the street art of paris places to go paris the best street art in paris by andrew milne published 4 january 2023 21 02 juanlu fajardo paris is home to amazing street art yes paris is classic beaux art boulevards bistro tables and art nouveau metro signs are all inimitably parisian

amazon fr guide du street art en france collectifs livres - Apr 01 2023

web après le succès du guide du street art à paris découvrez les plus belles scènes d art urbain en france au fil de parcours établis dans 10 villes lille rouen rennes nantes bordeaux toulouse sète marseille lyon et strasbourg partez explorer des quartiers hauts en couleur vivant au rythme du street art

[une expo street art à paris suivez le guide sortiraparis.com](#) - Feb 16 2022

web les expositions street art à venir à paris et en Île de france street art de la rue aux écrans l art urbain s expose bientôt au grand palais immersif avis à tous les amateurs d art

guide du street art à paris lucky sophie blog famille voyage - Jun 22 2022

web nov 4 2022 guide du street art à paris 4 novembre 2022 by lucky sophie les lieux où voir du street art à paris ne manquent pas mais en famille j aime bien avoir un parcours déjà établi à confier aux enfants qui nous guident on avait par exemple adoré le parcours audio guidé pour découvrir les murs xxl du boulevard paris 13

street art paris balades guidées dans les lieux incontournables - Dec 29 2022

web découvrez les oeuvres du graff et du street art dans le 13ème arrondissement une promenade d environ deux heures à la découverte des plus grandes fresques parisiennes et de nombreuses oeuvres de street artistes français et internationaux mondialement reconnus obey c215 miss tic seth arts création

guide du street art en france broché collectif fnac - Sep 06 2023

web mar 28 2019 guide du street art en france collectif alternatives des milliers de livres avec la livraison chez vous en 1 jour ou en magasin avec 5 de réduction guide du street art en france broché collectif achat livre fnac

les meilleurs endroits pour admirer le street art en france - Feb 28 2023

web en france aussi d innombrables artistes armés de leurs peintures et de leurs bombes aérosol parcourent les rues pour décorer celles ci de leurs créations de lyon à lille en passant par une véritable street art city embarquez pour

guide du street art en france édition 2019 2020 cultura - May 02 2023

web description guide du street art en france édition 2019 2020 par collectif aux éditions alternatives de nombreuses villes en france proposent un festival un musée des murs des quartiers des visites consacrés au street art dans le sillage du guide

du street

les villes parfaites pour admirer du street art en france - Jul 04 2023

web par victoria lasserre voir le diaporama 6 photos le street art est partout en france que ce soit des collages des fresques des graffitis des tags ou des tableaux

le street art de paris visites audio guidées france rewind - Jul 24 2022

web admirez les œuvres des plus grands street artistes du monde et apprenez l'histoire du street art votre seul guide pendant 1h votre smartphone découvrez un musée en plein air au cœur du 13ème arrondissement de paris admirez des œuvres monumentales réalisées par les plus grands street artistes du monde

le street art à paris top 5 des balades visitparisregion - Apr 20 2022

web suivez notre guide dédié aux meilleures œuvres du street art et du graffiti à paris région du mur d'oberkampf et du 13e au canal de l'Ourcq et Vitry sur Seine

street art en france l'art de la rue le bon guide - Nov 27 2022

web vous voulez découvrir la france autrement parcourez les rues de notre beau pays et appréciez son art urbain et ses musées plus connus sous le nom de street art vous en trouverez disséminés dans de nombreuses villes pour vous faciliter la vie nous avons sélectionné 10 lieux incontournables du street art français bonne visite

top 10 des lieux en france pour les amoureux de street art topito - Mar 20 2022

web aug 27 2020 des couleurs qui inspirent et qui font de Lille un des fiefs du street art en france avec notamment de nombreux événements culturels comme le can art les fenêtres qui

street art les meilleures villes de france où en admirer - Oct 27 2022

web mar 2 2023 le street art ce mouvement artistique vieux de soixante ans venu tout droit de philadelphie a imprégné la culture française paris lille marseille deviennent de véritables musées à ciel ouvert lorsque les œuvres d'art ornent les murs de la ville découvrez les meilleures villes où admirer du street art en france

guide du street art en france linkedin - Aug 25 2022

web jun 4 2019 partez découvrir 10 villes de france avec un autre regard celui de l'art urbain grâce au guide du street art en france paru aux éditions alternatives

7 destinations pour les fans de street art en france generation - Oct 07 2023

web jul 19 2022 1 street art city en auvergne 2 street art à paris street art avenue canal saint denis le quartier de belleville le mur oberkampf le canal de l'Ourcq vitry sur seine vitryne du street art 3 street art à bordeaux l'espace darwin m u r aux chartrons 4 street art à lyon le quartier croix rousse offside gallery 5 street art à

le top des villes en france où vous pouvez admirer du street art - May 22 2022

web 30 03 2023 le street art est une forme d'expression artistique de plus en plus présente dans les rues de France des collages aux fresques en passant par les graffitis les tags ou encore les tableaux gigantesques l'art urbain s'impose comme une véritable source de beauté et de créativité dans les rues du pays

[partir à la découverte du street art en France le guide](#) - Aug 05 2023

web nov 14 2020 Lille le spot idéal pour partir à la découverte du street art dans le nord de la France la ville de Lille fait croître son empreinte dans le street art depuis plus de 40 ans de nombreuses expositions s'y déroulent et en serpentant les rues vous aurez le choix d'admirer plus de 600 œuvres