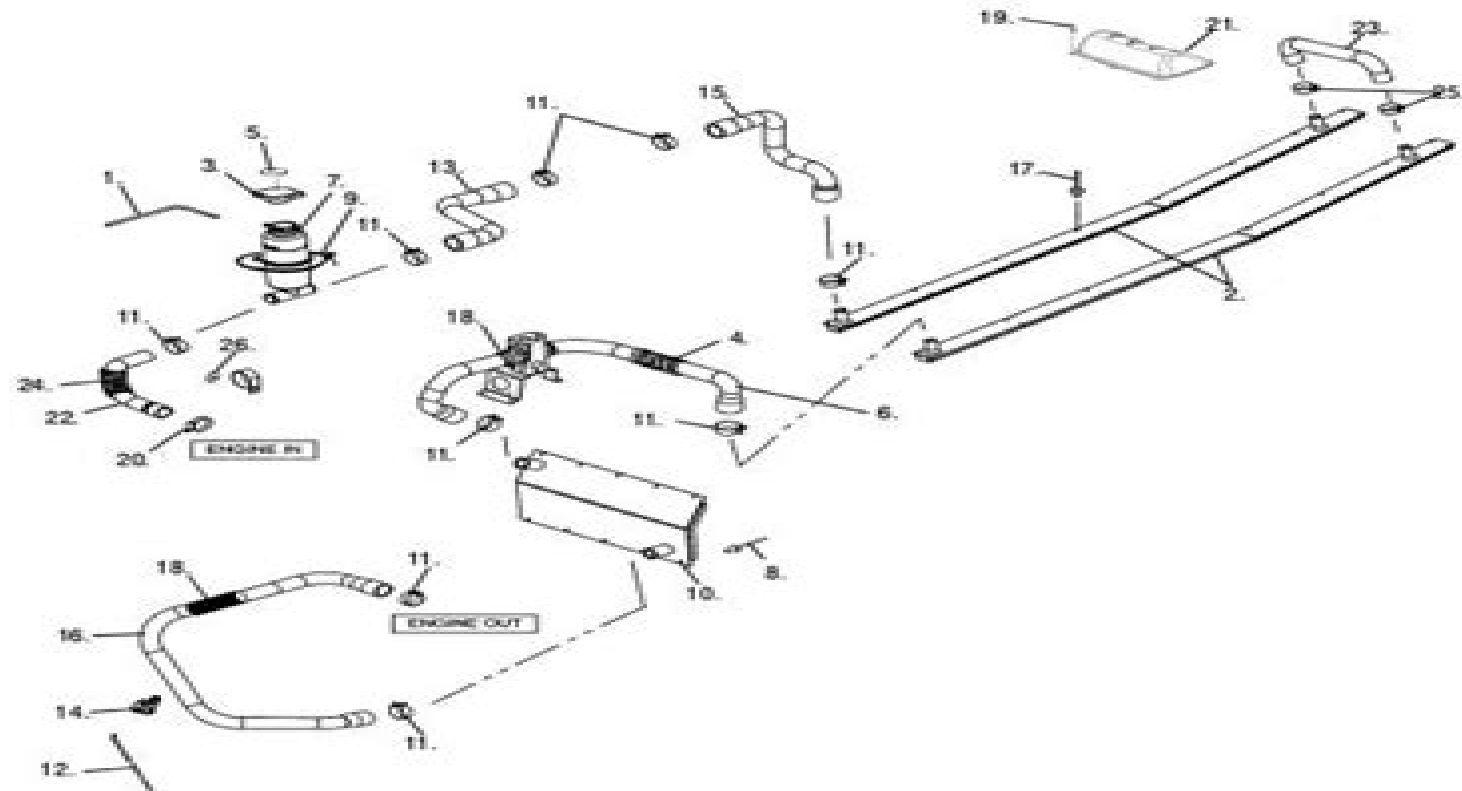


440 PRO X R COOLING SYSTEM



Ref.	Qty.	Description	Ref.	Qty.	Description
1.	1	Line, Fuel	2.	2	Strip, Wear
3.	1	Cap, Pressure	4.	1	Tubing, Convoluted
5.	1	Decal, Water Bottle Cap	6.	1	Hose, Center Out/Strip In
7.	1	Bottle, Coolant	8.	8	Rivet
9.	1	Cable Tie	10.	1	Cooler, Bulkhead
11.	9	Clamp, Springband	12.	1	Cable Tie
13.	1	Hose, Brake Out/Bottle In	14.	1	Clamp, Hose
15.	1	Hose, Strip Cooler/Brake	16.	1	Hose, Engine Out/Center Cool In
17.	22	Rivet	18.	2	Tubing, Convoluted
19.	5	Rivet	20.	1	Clamp
21.	1	Cover, Hose Protector	22.	1	Hose, Bottle to Pump
23.	1	Hose, Crossover, Wear Strip	24.	1	Conduit, Flex
25.	2	Clamp, Springband	26.	1	Washer, Flat

Owners Manual Polaris 550 Fan

M Tight



Owners Manual Polaris 550 Fan:

The Enigmatic Realm of **Owners Manual Polaris 550 Fan**: Unleashing the Language is Inner Magic

In a fast-paced digital era where connections and knowledge intertwine, the enigmatic realm of language reveals its inherent magic. Its capacity to stir emotions, ignite contemplation, and catalyze profound transformations is nothing in short supply of extraordinary. Within the captivating pages of **Owners Manual Polaris 550 Fan** a literary masterpiece penned with a renowned author, readers attempt a transformative journey, unlocking the secrets and untapped potential embedded within each word. In this evaluation, we shall explore the book's core themes, assess its distinct writing style, and delve into its lasting affect the hearts and minds of those who partake in its reading experience.

https://crm.avenza.com/About/publication/HomePages/Service_Manual_Kobelco_Sk200_Mark.pdf

Table of Contents Owners Manual Polaris 550 Fan

1. Understanding the eBook Owners Manual Polaris 550 Fan
 - The Rise of Digital Reading Owners Manual Polaris 550 Fan
 - Advantages of eBooks Over Traditional Books
2. Identifying Owners Manual Polaris 550 Fan
 - Exploring Different Genres
 - Considering Fiction vs. Non-Fiction
 - Determining Your Reading Goals
3. Choosing the Right eBook Platform
 - Popular eBook Platforms
 - Features to Look for in an Owners Manual Polaris 550 Fan
 - User-Friendly Interface
4. Exploring eBook Recommendations from Owners Manual Polaris 550 Fan
 - Personalized Recommendations
 - Owners Manual Polaris 550 Fan User Reviews and Ratings
 - Owners Manual Polaris 550 Fan and Bestseller Lists

5. Accessing Owners Manual Polaris 550 Fan Free and Paid eBooks
 - Owners Manual Polaris 550 Fan Public Domain eBooks
 - Owners Manual Polaris 550 Fan eBook Subscription Services
 - Owners Manual Polaris 550 Fan Budget-Friendly Options
6. Navigating Owners Manual Polaris 550 Fan eBook Formats
 - ePub, PDF, MOBI, and More
 - Owners Manual Polaris 550 Fan Compatibility with Devices
 - Owners Manual Polaris 550 Fan Enhanced eBook Features
7. Enhancing Your Reading Experience
 - Adjustable Fonts and Text Sizes of Owners Manual Polaris 550 Fan
 - Highlighting and Note-Taking Owners Manual Polaris 550 Fan
 - Interactive Elements Owners Manual Polaris 550 Fan
8. Staying Engaged with Owners Manual Polaris 550 Fan
 - Joining Online Reading Communities
 - Participating in Virtual Book Clubs
 - Following Authors and Publishers Owners Manual Polaris 550 Fan
9. Balancing eBooks and Physical Books Owners Manual Polaris 550 Fan
 - Benefits of a Digital Library
 - Creating a Diverse Reading Collection Owners Manual Polaris 550 Fan
10. Overcoming Reading Challenges
 - Dealing with Digital Eye Strain
 - Minimizing Distractions
 - Managing Screen Time
11. Cultivating a Reading Routine Owners Manual Polaris 550 Fan
 - Setting Reading Goals Owners Manual Polaris 550 Fan
 - Carving Out Dedicated Reading Time
12. Sourcing Reliable Information of Owners Manual Polaris 550 Fan
 - Fact-Checking eBook Content of Owners Manual Polaris 550 Fan
 - Distinguishing Credible Sources
13. Promoting Lifelong Learning

- Utilizing eBooks for Skill Development
 - Exploring Educational eBooks
14. Embracing eBook Trends
- Integration of Multimedia Elements
 - Interactive and Gamified eBooks

Owners Manual Polaris 550 Fan Introduction

In the digital age, access to information has become easier than ever before. The ability to download Owners Manual Polaris 550 Fan has revolutionized the way we consume written content. Whether you are a student looking for course material, an avid reader searching for your next favorite book, or a professional seeking research papers, the option to download Owners Manual Polaris 550 Fan has opened up a world of possibilities. Downloading Owners Manual Polaris 550 Fan provides numerous advantages over physical copies of books and documents. Firstly, it is incredibly convenient. Gone are the days of carrying around heavy textbooks or bulky folders filled with papers. With the click of a button, you can gain immediate access to valuable resources on any device. This convenience allows for efficient studying, researching, and reading on the go. Moreover, the cost-effective nature of downloading Owners Manual Polaris 550 Fan has democratized knowledge. Traditional books and academic journals can be expensive, making it difficult for individuals with limited financial resources to access information. By offering free PDF downloads, publishers and authors are enabling a wider audience to benefit from their work. This inclusivity promotes equal opportunities for learning and personal growth. There are numerous websites and platforms where individuals can download Owners Manual Polaris 550 Fan. These websites range from academic databases offering research papers and journals to online libraries with an expansive collection of books from various genres. Many authors and publishers also upload their work to specific websites, granting readers access to their content without any charge. These platforms not only provide access to existing literature but also serve as an excellent platform for undiscovered authors to share their work with the world. However, it is essential to be cautious while downloading Owners Manual Polaris 550 Fan. Some websites may offer pirated or illegally obtained copies of copyrighted material. Engaging in such activities not only violates copyright laws but also undermines the efforts of authors, publishers, and researchers. To ensure ethical downloading, it is advisable to utilize reputable websites that prioritize the legal distribution of content. When downloading Owners Manual Polaris 550 Fan, users should also consider the potential security risks associated with online platforms. Malicious actors may exploit vulnerabilities in unprotected websites to distribute malware or steal personal information. To protect themselves, individuals should ensure their devices have reliable antivirus software installed and validate the legitimacy of the websites they are downloading from. In conclusion, the ability to download Owners Manual

Polaris 550 Fan has transformed the way we access information. With the convenience, cost-effectiveness, and accessibility it offers, free PDF downloads have become a popular choice for students, researchers, and book lovers worldwide. However, it is crucial to engage in ethical downloading practices and prioritize personal security when utilizing online platforms. By doing so, individuals can make the most of the vast array of free PDF resources available and embark on a journey of continuous learning and intellectual growth.

FAQs About Owners Manual Polaris 550 Fan Books

How do I know which eBook platform is the best for me? Finding the best eBook platform depends on your reading preferences and device compatibility. Research different platforms, read user reviews, and explore their features before making a choice. Are free eBooks of good quality? Yes, many reputable platforms offer high-quality free eBooks, including classics and public domain works. However, make sure to verify the source to ensure the eBook credibility. Can I read eBooks without an eReader? Absolutely! Most eBook platforms offer web-based readers or mobile apps that allow you to read eBooks on your computer, tablet, or smartphone. How do I avoid digital eye strain while reading eBooks? To prevent digital eye strain, take regular breaks, adjust the font size and background color, and ensure proper lighting while reading eBooks. What the advantage of interactive eBooks? Interactive eBooks incorporate multimedia elements, quizzes, and activities, enhancing the reader engagement and providing a more immersive learning experience. Owners Manual Polaris 550 Fan is one of the best book in our library for free trial. We provide copy of Owners Manual Polaris 550 Fan in digital format, so the resources that you find are reliable. There are also many Ebooks of related with Owners Manual Polaris 550 Fan. Where to download Owners Manual Polaris 550 Fan online for free? Are you looking for Owners Manual Polaris 550 Fan PDF? This is definitely going to save you time and cash in something you should think about.

Find Owners Manual Polaris 550 Fan :

~~service manual kobelco sk200 mark~~

~~service manual for onan quiet site 2~~

service manual for ducati 848 evo

service manual for honda ex5500 generator

service manual for kubota m8200 tractor

service manual kenwood kr 7070

[service manual hp photosmart c5280](#)

[service manual for versatile 900](#)

[service manual for mitsubishi canter injector pump](#)

[service manual for honda goldwing gl1500 2015](#)

[service manual jeep cherokee 2 5](#)

[service manual mazda premacy](#)

[service manual for dodge magnum v6 2015](#)

[service manual harman kardon hk6150 integrated amplifier](#)

[service manual for vw fox](#)

Owners Manual Polaris 550 Fan :

[the compass and the radar the art of building a r 2023 - Feb 10 2022](#)

web as this the compass and the radar the art of building a r it ends going on instinctive one of the favored books the compass and the radar the art of building a r collections that we have this is why you remain in the best website to look the unbelievable book to have

[the compass and the radar the art of building a rewarding - Oct 01 2023](#)

web the compass and the radar the art of building a rewarding career while remaining true to yourself paolo gallo amazon com tr kitap

the compass and the radar - Jun 16 2022

web paolo gallo offers a unique pathway toward identifying the right career finding the ideal job and developing a moral compass the solid value system that will then anchor the reader in their professional lives with a creative and engaging mix of coaching practice management theories case studies and personal story telling this book helps readers to

[the compass and the radar the art of building a rewarding - Feb 22 2023](#)

web paolo gallo offers a unique pathway toward identifying the right career finding the ideal job and developing a moral compass with a creative and engaging mix of coaching practice management

[the compass and the radar the art of building a rewarding - Apr 14 2022](#)

web the compass and the radar the art of building a rewarding career while remaining true to yourself ebook gallo paolo amazon com au kindle store

[compass and the radar the the art of building a rewarding - May 28 2023](#)

web dec 18 2018 with wisdom and heart paolo gallo offers practical tools to help readers develop and navigate a meaningful

career for those seeking to live a life that truly reflects their values the compass and the radar is a must read adjunct professor at duke university s fuqua school of business and author of entrepreneurial you and stand

[the compass and the radar the art of building a rewarding](#) - Jun 28 2023

web oct 18 2018 the compass and the radar the art of building a rewarding career while remaining true to yourself kindle edition by gallo paolo download it once and read it on your kindle device pc phones or tablets

the compass and the radar the art of building a rewarding - Jan 24 2023

web with a creative and engaging mix of coaching practice management theories case studies and personal story telling this book helps readers to identify both their own compass which relates to integrity passion and internal value systems and radar which helps them to understand organizational complexity and read workplace dynamics and

the compass and the radar bloomsbury publishing - Aug 31 2023

web the compass and the radar is founded on a series of searching questions that will enable anyone to find their compass and radar to achieve personal success how can i find out what my real strengths and talents are do i love what i do how can i find a job with a company that truly reflects my values

the compass and the radar the art of building a rewarding - Sep 19 2022

web the compass and the radar the art of building a rewarding career while remaining true to yourself 1st edition kindle edition by paolo gallo author format kindle edition 4 4 out of 5 stars 43 ratings

the compass and the radar the art of building a rewarding - Aug 19 2022

web buy the compass and the radar the art of building a rewarding career while remaining true to yourself by gallo paolo online on amazon ae at best prices fast and free shipping free returns cash on delivery available on eligible purchase

[compass and the radar the the art of building a rewar](#) - Jul 18 2022

web dec 18 2018 with a creative and engaging mix of coaching practice management theories case studies and personal story telling this book helps readers to identify both their own compass which relates to integrity passion and internal value systems and radar which helps them to understand organizational complexity and read workplace

[the compass and the radar the art of building a rewarding](#) - Apr 26 2023

web oct 18 2018 the compass and the radar the art of building a rewarding career while remaining true to yourself paolo gallo offers a unique pathway toward identifying the right career finding the

[compass and the radar the the art of building a rewarding](#) - Nov 21 2022

web may 18 2021 the compass and the radar is founded on a series of searching questions that will enable anyone to find their compass and radar to achieve personal success how can i find out what my real strengths and talents are do i love what i do how can i find a job with a company that truly reflects my values

the compass and the radar the art of building a rewarding - Dec 23 2022

web the compass and the radar the art of building a rewarding career while remaining true to yourself ebook written by paolo gallo read this book using google play books app on your pc android ios devices

the compass and the radar the art of building a rewarding - Mar 14 2022

web the compass and the radar is founded on a series of searching questions that will enable anyone to find their compass and radar to achieve personal success how can i find out what my real strengths and talents are

the compass and the radar the art of building a rewarding career while - Oct 21 2022

web paolo gallo offers a unique pathway toward identifying the right career finding the ideal job and developing a moral compass the solid value system that will then anchor the reader in their professional lives

the compass and the radar the art of building a rewarding - Jul 30 2023

web with a creative and engaging mix of coaching practice management theories case studies and personal story telling this book helps readers to identify both their own compass which relates to integrity passion and internal value systems and radar which helps them to understand organizational complexity and read workplace

the compass and the radar the art of building a rewarding - Mar 26 2023

web buy the compass and the radar the art of building a rewarding career while remaining true to yourself illustrated by gallo paolo isbn 9781472958792 from amazon s book store everyday low prices and free delivery on eligible orders

the compass and the radar the art of building a rewarding - May 16 2022

web the compass and the radar the art of building a rewarding career while remaining true to yourself buy online at best price in ksa souq is now amazon sa gallo paolo books

adventure wikipedia - Sep 08 2023

web an adventure is an exciting experience or undertaking that is typically bold sometimes risky adventures may be activities with danger such as traveling exploring skydiving mountain climbing scuba diving river rafting or other extreme sports

tureng adventure türkçe İngilizce sözlük - Oct 09 2023

web adventure race i birkaç farklı doğa sporunun kombinasyonundan oluşan yarış İngilizce türkçe online sözlük tureng kelime ve terimleri çevir ve farklı aksanlarda sesli dinleme adventure macera adventure film serüven filmi adventure ne demek

adventure national geographic - Dec 31 2022

web adventure is america s first wilderness area still wild at heart is america s first wilderness area still wild at heart read embracing the unknown in big bend national park

what is adventure and what does it mean to be adventurous - Apr 03 2023

web dec 11 2019 adventure is all about taking each experience regardless if you know the outcome or not and facing it head on it is about seeing the world from a different perspective even if you ve seen it a million times before it is choosing to see the beauty from the ordinary and finding ways on how to do it differently

[28 adventure travel experiences from glacier chasing in](#) - Jun 05 2023

web jun 12 2023 adventure travel is a great way to see more of the world while also testing your physical limits and coming home with a lifetime s worth of stories to tell at parties

[top 50 adventure movies imdb](#) - Feb 01 2023

web a list of the best adventure movies as ranked by imdb users like you find something great to watch now

adventure definition meaning merriam webster - Jul 06 2023

web the meaning of adventure is an undertaking usually involving danger and unknown risks how to use adventure in a sentence an undertaking usually involving danger and

adventure bbc travel - May 04 2023

web a tiny nation of british eccentricity by mike maceacheran bbc travel s latest adventure stories from around the world

adventure english meaning cambridge dictionary - Aug 07 2023

web adventure definition 1 an unusual exciting and possibly dangerous activity such as a trip or experience or the learn more

ideas about adventure ted - Mar 02 2023

web 9 must watch adventure fantasy and romance movies you didn t know were about climate these captivating films are reimagining the cli fi genre by replacing gloom and doom with stories full of hope and resilience a collection of ted

[Üfe tüfe oranları btso](#) - Jan 30 2023

web 2023 yılı Üfe tüfe oranları ocak 2023 Üfe tüfe bir Önceki aya göre 4 15 6 65 bir Önceki yılın aralık ayına göre 4 15

öffentliche finanzen wisu texte by wolfgang scherf banpaen - Sep 25 2022

web jun 10 2023 download personalmanagement wisu texte band 8323 öffentliche finanzen 13 1 wisu alle artikel wisu probeheft und abonnement freiheit gleichheit

[öffentliche finanzen einführung in die finanzwissenschaft wisu](#) - Jun 03 2023

web öffentliche finanzen einführung in die finanzwissenschaft wisu texte band 8313 2 9 downloaded from uniport edu ng on august 2 2023 by guest with journal entries that

Öffentliche finanzen einführung in die finanzwissenschaft wisu - Aug 05 2023

web Öffentliche finanzen einführung in die finanzwissenschaft wisu texte band 8313 scherf wolfgang isbn 9783825284787 kostenloser versand für alle bücher mit

[öffentliche finanzen wisu texte by wolfgang scherf](#) - Mar 20 2022

web finanzwissenschaft download personalmanagement wisu texte band 8323 jlu gt vwl ii gt lehre öffentliche finanzen de
öffentliche finanzen einnahmenpolitik neue

öffentliche finanzen wisu texte pdf 2023 gccca eu - Oct 27 2022

web mar 22 2023 öffentliche finanzen wisu texte pdf recognizing the pretentiousness ways to acquire this book öffentliche
finanzen wisu texte pdf is additionally useful

öffentliche finanzen wisu texte by wolfgang scherf - Aug 25 2022

web aug 10 2023 öffentliche finanzen jlu gt vwl ii gt start öffentliche finanzen einföhrung in die finanzwissenschaft

öffentliche finanzen researchgate net öffentliche finanzen 13 1

öffentliche finanzen wisu texte by wolfgang scherf - Jul 04 2023

web oct 13 2023 öffentliche investitionen der eu staaten öffentliche finanzen 13 1 fachkräftemangel in 400 berufen wie sich
der misstand wisu das wirtschaftsstudium

öffentliche finanzen wisu texte uniport edu ng - Dec 17 2021

web may 13 2023 öffentliche finanzen wisu texte 1 8 downloaded from uniport edu ng on may 13 2023 by guest öffentliche
finanzen wisu texte thank you very much for

girişim finansmanı fİN203u ders kitabı aÖf Çıkılmış sorular - Apr 01 2023

web sizlerin adına sayfamızda paylaşabiliriz girişim finansmanı ders kitabı girişim finansmanı ekitap girişim finansmanı pdf
kitap açıköğretim girişim finansmanı fİN203u dersi

uluslararası finans lisans programı mezuniyet yükümlülükleri - Jun 22 2022

web uluslararası finans lisans programı kapsamında 2022 2023 akademik yılı güz dönemi itibaren Çift anadal programları
Çap mezuniyet yükümlülükleri aşağıda

öffentliche finanzen wisu texte uniport edu ng - Apr 20 2022

web öffentliche finanzen wisu texte 2 10 downloaded from uniport edu ng on august 18 2023 by guest bibliographie der
staats un wirtschaftswissenschaften 1975 the foundations

girişim finansmanı ders notları ve Özetleri deneme ve Çıkılmış - May 02 2023

web girişim finansmanı dersi için çalışma kaynaklarını sizler için topladık derledik ve faydalanmanız için yayınlıyoruz
Önceki yıllara ait çıkmış sorulara deneme sınavlarına

öffentliche finanzen wisu texte old vulkk com - May 22 2022

web 2 öffentliche finanzen wisu texte 2022 03 11 öffentliche finanzen wisu texte downloaded from old vulkk com by guest
kingston sawyer bankbetriebslehre

Öffentliche finanzen wisu texte - Oct 07 2023

web jun 16 2011 utb bücher für studium und lehre seit über 50 jahren veröffentlichen wissenschaftliche verlage aus deutschland Österreich und der schweiz unter der marke

[öffentliche finanzen wisu texte uniport edu ng](#) - Jan 18 2022

web öffentliche finanzen wisu texte 1 8 downloaded from uniport edu ng on june 18 2023 by guest öffentliche finanzen wisu texte thank you for downloading öffentliche

[öffentliche finanzen wisu texte graph safehousetech com](#) - Feb 16 2022

web 2 öffentliche finanzen wisu texte 2023 08 13 öffentliche finanzen wisu texte downloaded from graph safehousetech com by guest duke matteo social customer

öffentliche finanzen wisu texte - Nov 27 2022

web öffentliche finanzen wisu texte downloaded from 2013 thecontemporaryaustin org by guest clarke clark demography and social health insurance harpercollins

öffentliche finanzen wisu texte by wolfgang scherf - Nov 15 2021

web öffentliche finanzen jlu gt vwl ii gt start überstunden abbauen die rechte der arbeitnehmer focus öffentliche finanzen wisu texte de wolfgang fachkräftemangel in 400 berufen wie

öffentliche finanzen wisu texte store spiralny com - Dec 29 2022

web öffentliche finanzen wisu texte 3 3 have focused too much on scalar freedom and proposes a theory of status freedom as effective control self ownership the power to

Öffentliche finanzen wisu texte wolfgang scherf amazon de - Sep 06 2023

web apr 1 2009 Öffentliche finanzen wisu texte taschenbuch 1 april 2009 von wolfgang scherf autor 5 0 4 sternbewertungen alle formate und editionen anzeigen

aÖf girişim finansmanı fİN203u Çıkmış sorular açık - Feb 28 2023

web açık Öğretim fakültesi girişim finansmanı fİN203u çıkmış sınav sorularını test haline getirdik girişim finansmanı fİN203u vize ve final sınavlarından oluşan testleri online

öffentliche finanzen wisu texte by wolfgang scherf - Jul 24 2022

web öffentliche finanzen wisu texte by wolfgang scherf überstunden abbauen die rechte der arbeitnehmer focus bewerbungsvorlagen mustervorlagen als pdf monster de