

Left-side view of naturally aspirated 800 Series engine

This view is shown without one of the fuel injection nozzles for clarity.

- |                         |                      |                            |
|-------------------------|----------------------|----------------------------|
| (1) Fan                 | (6) Oil drain plug   | (11) Water drain plug      |
| (2) Water pump          | (7) Piston valve     | (12) Lifting eye           |
| (3) Oil filter          | (8) Oil filter       | (13) Oil filter cap        |
| (4) Fuel injection pump | (9) Flywheel housing | (14) Glow plug             |
| (5) Oil pressure switch | (10) Oil level gauge | (15) Fuel injection nozzle |

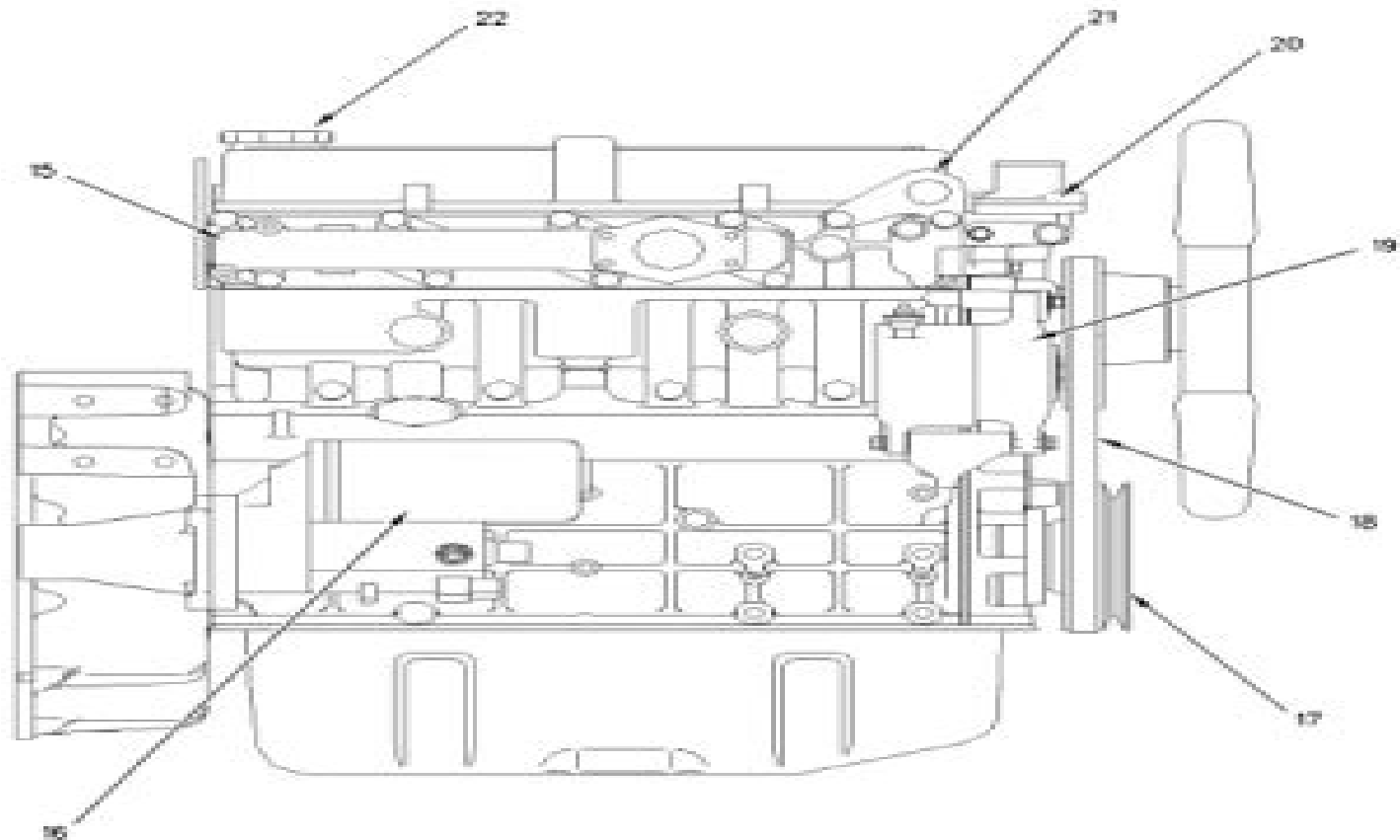


Illustration B

Right side view of a naturally aspirated 800 Series engine

- |                                 |                     |
|---------------------------------|---------------------|
| (16) Exhaust manifold           | (21) alternator     |
| (18) Starter                    | (22) Thermostat     |
| (17) Chromalox vibration damper | (23) Lifting eye    |
| (19) V-Belt                     | (24) Oil filter cap |

# Perkins 800 Series Manual

**Library of Congress. Copyright Office**

A red circular graphic with a gradient, appearing as a partial circle on the right side of the page, overlapping the light blue bar.

**Perkins 800 Series Manual:**

## Enjoying the Melody of Appearance: An Mental Symphony within **Perkins 800 Series Manual**

In a world taken by screens and the ceaseless chatter of instantaneous interaction, the melodic splendor and emotional symphony developed by the written word often disappear in to the background, eclipsed by the persistent noise and interruptions that permeate our lives. Nevertheless, situated within the pages of **Perkins 800 Series Manual** a wonderful fictional treasure overflowing with raw emotions, lies an immersive symphony waiting to be embraced. Crafted by a masterful musician of language, this fascinating masterpiece conducts visitors on a mental journey, skillfully unraveling the concealed songs and profound affect resonating within each cautiously crafted phrase. Within the depths of the emotional review, we can examine the book is central harmonies, analyze its enthralling publishing model, and submit ourselves to the profound resonance that echoes in the depths of readers souls.

[https://crm.avenza.com/data/book-search/Download\\_PDFS/saturn\\_vue\\_2004\\_manual.pdf](https://crm.avenza.com/data/book-search/Download_PDFS/saturn_vue_2004_manual.pdf)

### **Table of Contents Perkins 800 Series Manual**

1. Understanding the eBook Perkins 800 Series Manual
  - The Rise of Digital Reading Perkins 800 Series Manual
  - Advantages of eBooks Over Traditional Books
2. Identifying Perkins 800 Series Manual
  - Exploring Different Genres
  - Considering Fiction vs. Non-Fiction
  - Determining Your Reading Goals
3. Choosing the Right eBook Platform
  - Popular eBook Platforms
  - Features to Look for in an Perkins 800 Series Manual
  - User-Friendly Interface
4. Exploring eBook Recommendations from Perkins 800 Series Manual
  - Personalized Recommendations

- Perkins 800 Series Manual User Reviews and Ratings
- Perkins 800 Series Manual and Bestseller Lists
- 5. Accessing Perkins 800 Series Manual Free and Paid eBooks
  - Perkins 800 Series Manual Public Domain eBooks
  - Perkins 800 Series Manual eBook Subscription Services
  - Perkins 800 Series Manual Budget-Friendly Options
- 6. Navigating Perkins 800 Series Manual eBook Formats
  - ePub, PDF, MOBI, and More
  - Perkins 800 Series Manual Compatibility with Devices
  - Perkins 800 Series Manual Enhanced eBook Features
- 7. Enhancing Your Reading Experience
  - Adjustable Fonts and Text Sizes of Perkins 800 Series Manual
  - Highlighting and Note-Taking Perkins 800 Series Manual
  - Interactive Elements Perkins 800 Series Manual
- 8. Staying Engaged with Perkins 800 Series Manual
  - Joining Online Reading Communities
  - Participating in Virtual Book Clubs
  - Following Authors and Publishers Perkins 800 Series Manual
- 9. Balancing eBooks and Physical Books Perkins 800 Series Manual
  - Benefits of a Digital Library
  - Creating a Diverse Reading Collection Perkins 800 Series Manual
- 10. Overcoming Reading Challenges
  - Dealing with Digital Eye Strain
  - Minimizing Distractions
  - Managing Screen Time
- 11. Cultivating a Reading Routine Perkins 800 Series Manual
  - Setting Reading Goals Perkins 800 Series Manual
  - Carving Out Dedicated Reading Time
- 12. Sourcing Reliable Information of Perkins 800 Series Manual
  - Fact-Checking eBook Content of Perkins 800 Series Manual

- Distinguishing Credible Sources
13. Promoting Lifelong Learning
- Utilizing eBooks for Skill Development
  - Exploring Educational eBooks
14. Embracing eBook Trends
- Integration of Multimedia Elements
  - Interactive and Gamified eBooks

### **Perkins 800 Series Manual Introduction**

In this digital age, the convenience of accessing information at our fingertips has become a necessity. Whether its research papers, eBooks, or user manuals, PDF files have become the preferred format for sharing and reading documents. However, the cost associated with purchasing PDF files can sometimes be a barrier for many individuals and organizations. Thankfully, there are numerous websites and platforms that allow users to download free PDF files legally. In this article, we will explore some of the best platforms to download free PDFs. One of the most popular platforms to download free PDF files is Project Gutenberg. This online library offers over 60,000 free eBooks that are in the public domain. From classic literature to historical documents, Project Gutenberg provides a wide range of PDF files that can be downloaded and enjoyed on various devices. The website is user-friendly and allows users to search for specific titles or browse through different categories. Another reliable platform for downloading Perkins 800 Series Manual free PDF files is Open Library. With its vast collection of over 1 million eBooks, Open Library has something for every reader. The website offers a seamless experience by providing options to borrow or download PDF files. Users simply need to create a free account to access this treasure trove of knowledge. Open Library also allows users to contribute by uploading and sharing their own PDF files, making it a collaborative platform for book enthusiasts. For those interested in academic resources, there are websites dedicated to providing free PDFs of research papers and scientific articles. One such website is Academia.edu, which allows researchers and scholars to share their work with a global audience. Users can download PDF files of research papers, theses, and dissertations covering a wide range of subjects. Academia.edu also provides a platform for discussions and networking within the academic community. When it comes to downloading Perkins 800 Series Manual free PDF files of magazines, brochures, and catalogs, Issuu is a popular choice. This digital publishing platform hosts a vast collection of publications from around the world. Users can search for specific titles or explore various categories and genres. Issuu offers a seamless reading experience with its user-friendly interface and allows users to download PDF files for offline reading. Apart from dedicated platforms, search engines also play a crucial role in finding free PDF files. Google, for instance, has an advanced search

feature that allows users to filter results by file type. By specifying the file type as "PDF," users can find websites that offer free PDF downloads on a specific topic. While downloading Perkins 800 Series Manual free PDF files is convenient, its important to note that copyright laws must be respected. Always ensure that the PDF files you download are legally available for free. Many authors and publishers voluntarily provide free PDF versions of their work, but its essential to be cautious and verify the authenticity of the source before downloading Perkins 800 Series Manual. In conclusion, the internet offers numerous platforms and websites that allow users to download free PDF files legally. Whether its classic literature, research papers, or magazines, there is something for everyone. The platforms mentioned in this article, such as Project Gutenberg, Open Library, Academia.edu, and Issuu, provide access to a vast collection of PDF files. However, users should always be cautious and verify the legality of the source before downloading Perkins 800 Series Manual any PDF files. With these platforms, the world of PDF downloads is just a click away.

### **FAQs About Perkins 800 Series Manual Books**

How do I know which eBook platform is the best for me? Finding the best eBook platform depends on your reading preferences and device compatibility. Research different platforms, read user reviews, and explore their features before making a choice. Are free eBooks of good quality? Yes, many reputable platforms offer high-quality free eBooks, including classics and public domain works. However, make sure to verify the source to ensure the eBook credibility. Can I read eBooks without an eReader? Absolutely! Most eBook platforms offer webbased readers or mobile apps that allow you to read eBooks on your computer, tablet, or smartphone. How do I avoid digital eye strain while reading eBooks? To prevent digital eye strain, take regular breaks, adjust the font size and background color, and ensure proper lighting while reading eBooks. What the advantage of interactive eBooks? Interactive eBooks incorporate multimedia elements, quizzes, and activities, enhancing the reader engagement and providing a more immersive learning experience. Perkins 800 Series Manual is one of the best book in our library for free trial. We provide copy of Perkins 800 Series Manual in digital format, so the resources that you find are reliable. There are also many Ebooks of related with Perkins 800 Series Manual. Where to download Perkins 800 Series Manual online for free? Are you looking for Perkins 800 Series Manual PDF? This is definitely going to save you time and cash in something you should think about. If you trying to find then search around for online. Without a doubt there are numerous these available and many of them have the freedom. However without doubt you receive whatever you purchase. An alternate way to get ideas is always to check another Perkins 800 Series Manual. This method for see exactly what may be included and adopt these ideas to your book. This site will almost certainly help you save time and effort, money and stress. If you are looking for free books then you really should consider finding to assist you try this. Several of Perkins

800 Series Manual are for sale to free while some are payable. If you arent sure if the books you would like to download works with for usage along with your computer, it is possible to download free trials. The free guides make it easy for someone to free access online library for download books to your device. You can get free download on free trial for lots of books categories. Our library is the biggest of these that have literally hundreds of thousands of different products categories represented. You will also see that there are specific sites catered to different product types or categories, brands or niches related with Perkins 800 Series Manual. So depending on what exactly you are searching, you will be able to choose e books to suit your own need. Need to access completely for Campbell Biology Seventh Edition book? Access Ebook without any digging. And by having access to our ebook online or by storing it on your computer, you have convenient answers with Perkins 800 Series Manual To get started finding Perkins 800 Series Manual, you are right to find our website which has a comprehensive collection of books online. Our library is the biggest of these that have literally hundreds of thousands of different products represented. You will also see that there are specific sites catered to different categories or niches related with Perkins 800 Series Manual So depending on what exactly you are searching, you will be able to choose ebook to suit your own need. Thank you for reading Perkins 800 Series Manual. Maybe you have knowledge that, people have search numerous times for their favorite readings like this Perkins 800 Series Manual, but end up in harmful downloads. Rather than reading a good book with a cup of coffee in the afternoon, instead they juggled with some harmful bugs inside their laptop. Perkins 800 Series Manual is available in our book collection an online access to it is set as public so you can download it instantly. Our digital library spans in multiple locations, allowing you to get the most less latency time to download any of our books like this one. Merely said, Perkins 800 Series Manual is universally compatible with any devices to read.

### **Find Perkins 800 Series Manual :**

~~saturn vue 2004 manual~~

~~sb 8 75 1 nov 2014~~

~~say dez school homelink answers~~

~~sceptre d73p monitors owners manual~~

~~sawdust and soul a conversation about woodworking and spirituality~~

~~scabaras quest guide~~

**sawyer beckett s baby mama drama guide for dummies**

~~saturn sc1 service manual 2002~~

**saturn sl1 manual torque**

~~sbi clerk model question paper 21~~



**scanstrut spt1001 spt1002 spt2004 spt2005 installation manual user guide**[scania ds8 manual](#)[scania truck starter diagram wiring schematic](#)[scahigher paper 24](#)[scavenger hunt clues for a church](#)**Perkins 800 Series Manual :**[prof anupam saikia iit guwahati](#) - Aug 21 2023

anupam saikia is an indian mathematician and at present professor in the department of mathematics at iit guwahati india he is known for his work related to arithmetic number theory in particular applications to iwasawa theory and p adic measures he has also published articles in mathematical cryptography

**ais algebraic number theory 2018 national centre for** - Aug 09 2022

web indian institute of technology guwahati faculty faculty anupam saikia export statistics options show all metadata technical view

[anupam saikia professor indian institute of technology](#) - Mar 16 2023

web mar 17 2019 professor anupam saikia is an indian mathematician and at present professor in the department of mathematics at iit guwahati india previously he has

[anupam saikia kr iitg ac in](#) - Jun 07 2022

web on 29 april 2023 prof saikia conducted a special session from guwahati main studio to enlighten students on the importance of learning mathematics its real life applications

[anupam saikia kr iitg ac in](#) - Sep 10 2022

web anupam saikia department of mathematics iit guwahati guwahati 781039 email a saikia iitg ernet in abstract the aim of this article to give a self contained exposition

[anupam saikia owlapps](#) - Feb 03 2022

web indian institute of technology guwahati the sixth member of the iit fraternity was established in 1994 the academic programme of iit guwahati commenced in 1995

[special session from professor anupam saikia of iit guwahati](#) - Apr 05 2022

web anupam saikia is an indian mathematician and at present professor in the department of mathematics at iit guwahati india he is known for his work related to arithmetic

**about anupam saikia dbpedia association** - Nov 12 2022

web indian institute of technology guwahati faculty faculty anupam saikia export statistics options show all metadata technical view anupam saikia

**indian institute of technology guwahati** [□ □ □ □ □ □ □ □](#) - Feb 15 2023

web anupam saikia s research while affiliated with indian institute of technology guwahati and other places

*welcome to my home page iit guwahati* - Oct 23 2023

web welcome to the homepage of anupam saikia professor department of mathematics iit guwahati assam 781039 email a saikia iitg ernet in ph 91 361 258 2616

**faculty department of mathematics iit guwahati** - Apr 17 2023

web the academic programme of iit guwahati commenced in 1995 at present the institute has eleven departments and five inter disciplinary academic centres covering all the major

**anupam saikia iit guwahati** - Sep 22 2023

web anupam saikia professor 91 361 258 2616 a saikia iitg ac in research interest number theory personal website vidwan profile department centre school

[anupam saikia iit guwahati](#) - Dec 01 2021

**speaker reserach conclave 2019** - Jan 14 2023

web anupam saikia is an indian mathematician and at present professor in the department of mathematics at iit guwahati india he is known for his work related to arithmetic

[anupam saikia indian institute of technology](#) - May 18 2023

web join to view profile indian institute of technology guwahati trinity college cambridge

[anupam saikia wikipedia](#) - Jul 20 2023

web anupam saikia explicit reciprocity law of bloch kato and exponential maps the bloch kato conjecture for the riemann zeta function london mathematical society

[arxiv 0910 1408v2 math nt 16 oct 2009](#) - Jul 08 2022

web jul 1 2023 iit guwahati email a saikia at iitg ac in rupam at iitg ac in dates monday june 20 2022 09 15 to saturday july 16 2022 21 15 venue iit guwahati

**anupam saikia bharatpedia** - Oct 11 2022

web ais algebraic number theory 2018 venue indian institute of technology guwahati guwahati assam date 14th may 2018 to 2nd jun 2018 school convener s name

**anupam saikia iitg ac in** - Jan 02 2022

*annual foundation school iii guwahati 2022 national* - May 06 2022

web anupam saikia is an indian mathematician and at present professor in the department of mathematics at iit guwahati india he is known for his work related to arithmetic

[anupam saikia s research works indian institute of technology](#) - Dec 13 2022

web apr 8 2021 anupam saikia is an indian mathematician and at present professor in the department of mathematics at iit guwahati india he is known for his work related to

[anupam saikia explained everything explained today](#) - Mar 04 2022

web the academic programme of iit guwahati commenced in 1995 at present the institute has eleven departments and five inter disciplinary academic centres covering all the major

**faculty details department of mathematics iitg ac in** - Jun 19 2023

web faculty department of mathematics iit guwahati faculty members anupam saikia professor email a saikia iitg ac in phone 91 0 361 258 2616 room no e 302

*solutions manual for intermediate accounting 17th edition kieso* - Aug 06 2022

copyright 2019 wiley kieso intermediate accounting 17 e solutions manual for instructor use only 14 answers to questions a funds might be obtained through

*intermediate accounting 17e student practice and solutions* - Nov 09 2022

find step by step solutions and answers to intermediate accounting 9780324592375 as well as thousands of textbooks so you can move forward with confidence

**kieso weygandt warfield intermediate accounting 17th edition** - Jan 11 2023

the student practice and solutions manual to accompany kieso intermediate accounting 17e contains a chapter review and a selection of brief exercises exercises and problems with

**kieso 17e ch14 solutions manual studocu** - Jun 04 2022

intermediate accounting 17th edition by donald e kieso jerry j weygandt and terry d warfield intermediate accounting 17th edition is written by industry thought leaders kieso

**intermediate accounting 17th edition textbook** - Sep 19 2023

our resource for intermediate accounting includes answers to chapter exercises as well as detailed information to walk you through the process step by step with expert solutions for

**loading interface goodreads** - May 03 2022

intermediate accounting 2nd edition chapter 17 we have solutions for your book this problem has been solved problem 1aia chapter ch17 problem 1aia step by step

**intermediate accounting 17th edition textbook solutions bartleby** - May 15 2023

access intermediate accounting 17th edition chapter 5 solutions now our solutions are written by chegg experts so you can be assured of the highest quality

**chapter 17 solutions intermediate accounting 2nd edition chegg** - Mar 01 2022**intermediate accounting 17th edition solutions and answers** - Oct 08 2022

intermediate accounting 17th edition is written by industry thought leaders kieso weygandt and warfield and is developed around one simple proposition create great accountants

intermediate accounting 17th edition solutions and answers - Jul 17 2023

jan 10 2023 kieso 17e ch15 solutions manual copyright 2019 wiley kieso intermediate accounting 17 e studocu solutions chapter 15 equity assignment classification table

intermediate accounting 17th edition wiley - Feb 12 2023

intermediate accounting 17th edition home browse by chapter browse by chapter browse by resource browse by resource more information more information title home on

*intermediate accounting student practice and solutions manual* - Dec 10 2022

the student practice and solutions manual to accompany kieso intermediate accounting 17e contains a chapter review and a selection of brief exercises exercises and problems with

**intermediate accounting 17th edition wileyplus** - Apr 02 2022

intermediate accounting 17th edition is written by industry thought leaders kieso weygandt and warfield and is developed around one simple proposition create great accountants

**intermediate accounting 17th edition wiley com** - Sep 07 2022

aug 15 2023 1 understand the financial reporting environment the major policy setting bodies and their role in the standard setting process 3 explain the meaning of generally accepted

**kieso 17e ch15 solutions manual copyright 2019 wiley** - Jun 16 2023

solutions for intermediate accounting 17th edition view samples chapter section problem 1q problem 2q 2 differentiate between financial statements and financial reporting

*intermediate accounting 17th edition solutions and answers* - Aug 18 2023

our resource for intermediate accounting includes answers to chapter exercises as well as detailed information to walk you through the process step by step with expert solutions for

**intermediate accounting 17th edition wiley** - Jan 31 2022

*chapter 5 solutions intermediate accounting 17th edition chegg* - Apr 14 2023

step by step solution step 1 of 2 a prepare the journal entry for the purchase of the investment when the investment is purchased investments would be increased and cash would be

**intermediate accounting student practice and** - Jul 05 2022

the student practice and solutions manual to accompany kieso intermediate accounting 17e contains a chapter review and a selection of brief exercises exercises and problems with

**chapter 17 solutions intermediate accounting 17th edition chegg** - Mar 13 2023

welcome to the web site for intermediate accounting 17th edition by donald e kieso jerry j weygandt terry d warfield this web site gives you access to the rich tools and resources

*amazon com learn tamil* - Aug 07 2022

web learn tamil in a month an easy method of learning tamil through english without a teacher krishnamurthi s amazon in

*learn tamil in a month an easy method of learning farnam* - Mar 02 2022

web sep 15 2023 learn tamil in a month an easy method of learning that you are looking for it will agreed squander the time however below like you visit this web page it will be

**learn tamil in a month an easy method of learning** - Nov 29 2021

**learn tamil in a month an easy method of learning tamil** - Dec 11 2022

web apr 6 2023 01 don t over rely on teachers at language schools 02 find classrooms with these 2 criteria 03 find teachers who don t stick to the textbook 04 converse online

how to learn tamil on your own top strategy resources - Sep 08 2022

web our tamil lesson helps you to learn tamil online in 30 days step by step spoken tamil language learning for beginners download in pdf our online tamil lessons will help

amazon com customer reviews learn tamil in a month an - Jan 12 2023

web the answer to this is as below 1 to communicated with others who speaks tamil 2 for the beauty and perfect structure of the tamil language 3 to learn an ancient language

*learn tamil in a month an easy method of learning* - Sep 20 2023

web buy learn tamil in a month an easy method of learning tamil through english without a teacher new by krishnamurthi s isbn 9788187782049 from amazon s book

*learn tamil in a month an easy method of learning book* - Apr 15 2023

web find helpful customer reviews and review ratings for learn tamil in a month an easy method of learning tamil through english without a teacher english and tamil

**learn tamil in a month an easy method of** - Jul 18 2023

web learn tamil in a month an easy method of learning babadada black and white tamil in tamil script ukrains'ka mova latyns'ki litery visual dictionary in tamil

tamil learning a step by step guide to learn tamil for - Nov 10 2022

web learn tamil in a month an easy method of learning tamil through english without a teacher english and tamil edition tamil edition by s krishnamurthi dec 31 2000

**ling the best way to learn tamil** - Jul 06 2022

web learn tamil from english in just 10 minutes a day with our interactive lessons whether you are a beginner starting with the basics or looking to improve your language multibhashi

how to learn tamil with pictures wikipedi - Aug 19 2023

web learn tamil in a month an easy method of learning tamil through english without a teacher krishnamurthi s amazon com tr kitap

**learn tamil in a month an easy method of learning** - Feb 13 2023

web methods for learning tamil when it comes to learn tamil there are several methods you can employ one popular approach is learning tamil through english this method

learn tamil in a month an easy method of learning mamma - Dec 31 2021

*learn tamil from english online in 30 days english basics* - Apr 03 2022

web it is your enormously own time to feat reviewing habit accompanied by guides you could enjoy now is learn tamil in a month an easy method of learning below learn

**learn tamil in a month an easy method of learning** - Oct 29 2021

**learn tamil in a month an easy method of learning tamil** - May 04 2022

web learn tamil in a month an easy method of learning 1 13 downloaded from uniport edu ng on september 9 2023 by guest learn tamil in a month an easy method of learning

**learn tamil in a month an easy method of learning tamil** - May 16 2023

web dec 1 2000 learn tamil in a month an easy method of learning tamil through english without a teacher a book which is specially designed for people who don t have the time

*learn tamil in a month an easy method of learning pdf* - Feb 01 2022

web tamil in a month an easy method of learning it is completely simple then since currently we extend the associate to purchase and create bargains to download and

*learn tamil through english tamil language learning 30* - Jun 05 2022

web feb 27 2023 declaration as with ease as perception of this learn tamil in a month an easy method of learning can be taken as skillfully as picked to act spoken tamil

**learn tamil in a month an easy method of learning tamil** - Mar 14 2023

web learn tamil in a month an easy method of learning tamil through english without a teacher krishnamurthi s amazon sg books

*learn tamil in a month an easy method of learning* - Jun 17 2023

web buy learn tamil in a month an easy method of learning tamil through english without a teacher by krishnamurthi s online on amazon ae at best prices fast and free

**learn to read in tamil for absolute beginners udemy** - Oct 09 2022

web with 200 bite sized tamil lessons learning tamil has never been so easy start to learn tamil now for free