

## 2206D Engines

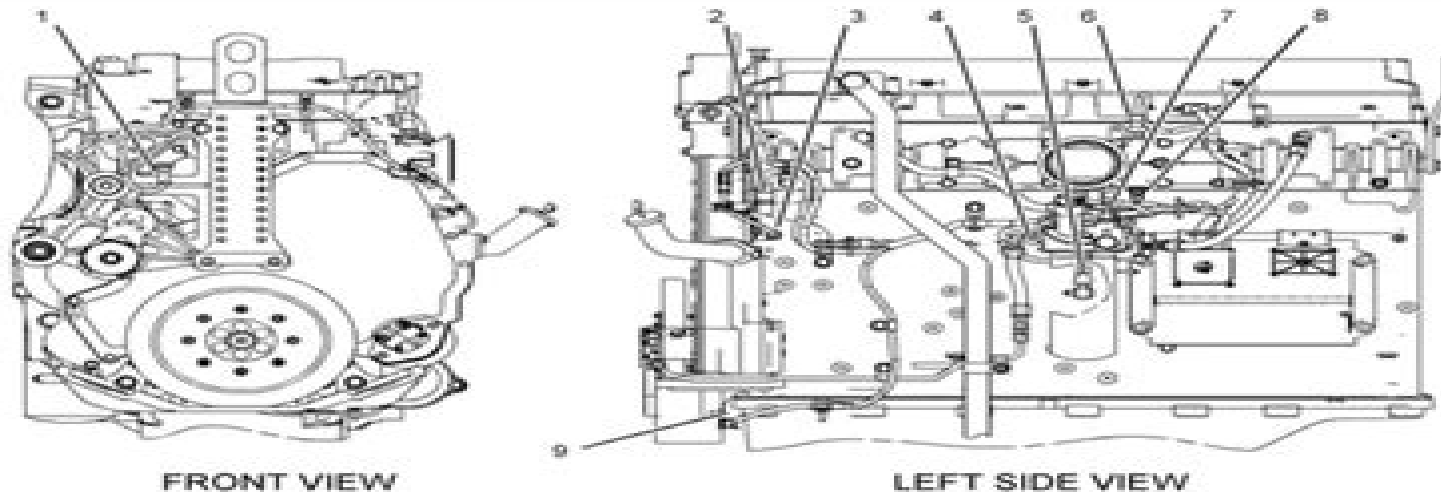


Illustration 5

g0109045

### Locations of the sensors on 2206D engines

- |  |                                |  |
|--|--------------------------------|--|
| (1) Engine coolant temperature sensor    | (4) Fuel pressure sensor       | (7) Fuel temperature sensor                |
| (2) Atmospheric pressure sensor          | (5) Engine oil pressure sensor | (8) Intake manifold air temperature sensor |
| (3) Secondary engine speed/timing sensor | (6) Boost pressure sensor      | (9) Primary engine speed/timing sensor     |

i02957583

## Diagnostic Capabilities

### Diagnostic Codes

The engines Electronic Control Module (ECM) can monitor the circuitry between the ECM and the engines components. The ECM can also monitor the engines operating conditions. If the ECM detects a problem, a code is generated.

There are two categories of codes:

- Diagnostic code
- Event code

**Diagnostic Code** – A diagnostic code indicates an electrical problem such as a short circuit or an open circuit in the engines wiring or in an electrical component.

**Event Code** – An event code is generated by the detection of an abnormal engine operating condition. For example, an event code will be generated if the oil pressure is too low. In this case, the event code indicates the symptom of a problem. Generally, event codes indicate abnormal operating conditions or mechanical problems rather than electrical problems.

Codes can have two different states:

- Active
- Logged

### Active Codes

An active code indicates that a problem is present. Service the active code first. For the appropriate troubleshooting procedure for a particular code, refer to the appropriate troubleshooting procedure.

# Perkins 2200 Series Workshop Manual

**Zhe Xu**



**Perkins 2200 Series Workshop Manual:**

This is likewise one of the factors by obtaining the soft documents of this **Perkins 2200 Series Workshop Manual** by online. You might not require more era to spend to go to the ebook commencement as capably as search for them. In some cases, you likewise complete not discover the declaration Perkins 2200 Series Workshop Manual that you are looking for. It will categorically squander the time.

However below, in the same way as you visit this web page, it will be correspondingly certainly easy to acquire as competently as download guide Perkins 2200 Series Workshop Manual

It will not receive many become old as we tell before. You can realize it even if perform something else at home and even in your workplace. so easy! So, are you question? Just exercise just what we offer below as well as evaluation **Perkins 2200 Series Workshop Manual** what you bearing in mind to read!

[https://crm.avenza.com/About/browse/HomePages/Perry\\_Rhodan\\_Ndegous\\_Lemprise\\_Du\\_Cristal\\_Noir.pdf](https://crm.avenza.com/About/browse/HomePages/Perry_Rhodan_Ndegous_Lemprise_Du_Cristal_Noir.pdf)

## **Table of Contents Perkins 2200 Series Workshop Manual**

1. Understanding the eBook Perkins 2200 Series Workshop Manual
  - The Rise of Digital Reading Perkins 2200 Series Workshop Manual
  - Advantages of eBooks Over Traditional Books
2. Identifying Perkins 2200 Series Workshop Manual
  - Exploring Different Genres
  - Considering Fiction vs. Non-Fiction
  - Determining Your Reading Goals
3. Choosing the Right eBook Platform
  - Popular eBook Platforms
  - Features to Look for in an Perkins 2200 Series Workshop Manual
  - User-Friendly Interface
4. Exploring eBook Recommendations from Perkins 2200 Series Workshop Manual

- Personalized Recommendations
  - Perkins 2200 Series Workshop Manual User Reviews and Ratings
  - Perkins 2200 Series Workshop Manual and Bestseller Lists
5. Accessing Perkins 2200 Series Workshop Manual Free and Paid eBooks
- Perkins 2200 Series Workshop Manual Public Domain eBooks
  - Perkins 2200 Series Workshop Manual eBook Subscription Services
  - Perkins 2200 Series Workshop Manual Budget-Friendly Options
6. Navigating Perkins 2200 Series Workshop Manual eBook Formats
- ePub, PDF, MOBI, and More
  - Perkins 2200 Series Workshop Manual Compatibility with Devices
  - Perkins 2200 Series Workshop Manual Enhanced eBook Features
7. Enhancing Your Reading Experience
- Adjustable Fonts and Text Sizes of Perkins 2200 Series Workshop Manual
  - Highlighting and Note-Taking Perkins 2200 Series Workshop Manual
  - Interactive Elements Perkins 2200 Series Workshop Manual
8. Staying Engaged with Perkins 2200 Series Workshop Manual
- Joining Online Reading Communities
  - Participating in Virtual Book Clubs
  - Following Authors and Publishers Perkins 2200 Series Workshop Manual
9. Balancing eBooks and Physical Books Perkins 2200 Series Workshop Manual
- Benefits of a Digital Library
  - Creating a Diverse Reading Collection Perkins 2200 Series Workshop Manual
10. Overcoming Reading Challenges
- Dealing with Digital Eye Strain
  - Minimizing Distractions
  - Managing Screen Time
11. Cultivating a Reading Routine Perkins 2200 Series Workshop Manual
- Setting Reading Goals Perkins 2200 Series Workshop Manual
  - Carving Out Dedicated Reading Time
12. Sourcing Reliable Information of Perkins 2200 Series Workshop Manual

- Fact-Checking eBook Content of Perkins 2200 Series Workshop Manual
  - Distinguishing Credible Sources
13. Promoting Lifelong Learning
- Utilizing eBooks for Skill Development
  - Exploring Educational eBooks
14. Embracing eBook Trends
- Integration of Multimedia Elements
  - Interactive and Gamified eBooks

### **Perkins 2200 Series Workshop Manual Introduction**

In this digital age, the convenience of accessing information at our fingertips has become a necessity. Whether its research papers, eBooks, or user manuals, PDF files have become the preferred format for sharing and reading documents. However, the cost associated with purchasing PDF files can sometimes be a barrier for many individuals and organizations. Thankfully, there are numerous websites and platforms that allow users to download free PDF files legally. In this article, we will explore some of the best platforms to download free PDFs. One of the most popular platforms to download free PDF files is Project Gutenberg. This online library offers over 60,000 free eBooks that are in the public domain. From classic literature to historical documents, Project Gutenberg provides a wide range of PDF files that can be downloaded and enjoyed on various devices. The website is user-friendly and allows users to search for specific titles or browse through different categories. Another reliable platform for downloading Perkins 2200 Series Workshop Manual free PDF files is Open Library. With its vast collection of over 1 million eBooks, Open Library has something for every reader. The website offers a seamless experience by providing options to borrow or download PDF files. Users simply need to create a free account to access this treasure trove of knowledge. Open Library also allows users to contribute by uploading and sharing their own PDF files, making it a collaborative platform for book enthusiasts. For those interested in academic resources, there are websites dedicated to providing free PDFs of research papers and scientific articles. One such website is Academia.edu, which allows researchers and scholars to share their work with a global audience. Users can download PDF files of research papers, theses, and dissertations covering a wide range of subjects. Academia.edu also provides a platform for discussions and networking within the academic community. When it comes to downloading Perkins 2200 Series Workshop Manual free PDF files of magazines, brochures, and catalogs, Issuu is a popular choice. This digital publishing platform hosts a vast collection of publications from around the world. Users can search for specific titles or explore various categories and genres. Issuu offers a seamless reading experience with its user-friendly interface and allows users to download PDF files for offline reading. Apart from

dedicated platforms, search engines also play a crucial role in finding free PDF files. Google, for instance, has an advanced search feature that allows users to filter results by file type. By specifying the file type as "PDF," users can find websites that offer free PDF downloads on a specific topic. While downloading Perkins 2200 Series Workshop Manual free PDF files is convenient, its important to note that copyright laws must be respected. Always ensure that the PDF files you download are legally available for free. Many authors and publishers voluntarily provide free PDF versions of their work, but its essential to be cautious and verify the authenticity of the source before downloading Perkins 2200 Series Workshop Manual. In conclusion, the internet offers numerous platforms and websites that allow users to download free PDF files legally. Whether its classic literature, research papers, or magazines, there is something for everyone. The platforms mentioned in this article, such as Project Gutenberg, Open Library, Academia.edu, and Issuu, provide access to a vast collection of PDF files. However, users should always be cautious and verify the legality of the source before downloading Perkins 2200 Series Workshop Manual any PDF files. With these platforms, the world of PDF downloads is just a click away.

### FAQs About Perkins 2200 Series Workshop Manual Books

**What is a Perkins 2200 Series Workshop Manual PDF?** A PDF (Portable Document Format) is a file format developed by Adobe that preserves the layout and formatting of a document, regardless of the software, hardware, or operating system used to view or print it. **How do I create a Perkins 2200 Series Workshop Manual PDF?** There are several ways to create a PDF: Use software like Adobe Acrobat, Microsoft Word, or Google Docs, which often have built-in PDF creation tools. Print to PDF: Many applications and operating systems have a "Print to PDF" option that allows you to save a document as a PDF file instead of printing it on paper. Online converters: There are various online tools that can convert different file types to PDF. **How do I edit a Perkins 2200 Series Workshop Manual PDF?** Editing a PDF can be done with software like Adobe Acrobat, which allows direct editing of text, images, and other elements within the PDF. Some free tools, like PDFescape or Smallpdf, also offer basic editing capabilities. **How do I convert a Perkins 2200 Series Workshop Manual PDF to another file format?** There are multiple ways to convert a PDF to another format: Use online converters like Smallpdf, Zamzar, or Adobe Acrobats export feature to convert PDFs to formats like Word, Excel, JPEG, etc. Software like Adobe Acrobat, Microsoft Word, or other PDF editors may have options to export or save PDFs in different formats. **How do I password-protect a Perkins 2200 Series Workshop Manual PDF?** Most PDF editing software allows you to add password protection. In Adobe Acrobat, for instance, you can go to "File" -> "Properties" -> "Security" to set a password to restrict access or editing capabilities. Are there any free alternatives to Adobe Acrobat for working with PDFs? Yes, there are many free alternatives for working with PDFs, such as: LibreOffice: Offers PDF editing features. PDFsam: Allows splitting,

merging, and editing PDFs. Foxit Reader: Provides basic PDF viewing and editing capabilities. How do I compress a PDF file? You can use online tools like Smallpdf, ILovePDF, or desktop software like Adobe Acrobat to compress PDF files without significant quality loss. Compression reduces the file size, making it easier to share and download. Can I fill out forms in a PDF file? Yes, most PDF viewers/editors like Adobe Acrobat, Preview (on Mac), or various online tools allow you to fill out forms in PDF files by selecting text fields and entering information. Are there any restrictions when working with PDFs? Some PDFs might have restrictions set by their creator, such as password protection, editing restrictions, or print restrictions. Breaking these restrictions might require specific software or tools, which may or may not be legal depending on the circumstances and local laws.

**Find Perkins 2200 Series Workshop Manual :**

~~perry rhodan ndegsous lemprise du cristal noir~~

**periodic trends packet key**

**permatex 09104 radiator repair kit**

~~performance v strom 1000 abs motorklik~~

**permaculture a designers manual amazon**

*personal finance syllabus high school*

perkin elmer spectrum one manual

**peppermint marshmello recipe**

peoplesoft administrator guide

perry 6 edition handbook

**perkins 240service manual**

~~periodic table word search answer key~~

~~personal finance 6th edition solution manual~~

*periodicity activity answers*

persepolis study guide

**Perkins 2200 Series Workshop Manual :**

the 10 best things to do in grenoble 2023 with photos tripadvisor - Feb 14 2023

web sights landmarks in grenoble tours activities in grenoble nightlife in grenoble outdoor activities in grenoble shopping in



grenoble fun games in grenoble transportation in grenoble spas wellness in grenoble nature parks in grenoble museums in grenoble classes workshops in grenoble boat tours water sports in

**grenoble is all yours** - Jul 19 2023

web follow the marked paths climb up a bit and admire the sprawling city of grenoble at your feet somewhere in between history and nature discover the must see sites like the chateau and cisterns of sassenaige of course wild natural places await as well places steeped in legend like the mysterious ardente fountain

grenoble travel lonely planet france europe - Apr 16 2023

web jan 24 2017 grenoble france haloed by mountains france s self styled capital of the alps unites city pleasures and breathtaking nature every road leading out of grenoble brushes a different regional park the isère river slices through the city girding the clifftop bastille and a ravishing set of riverside museums

*grenoble* *wikipe*di - Mar 15 2023

web grenoble fransa nın güney doğusunda bulunan rhone alpes bölgesinde isère ilinin merkezi olan ve drac nehrinin isère nehrine karıştığı noktada alpler in eteğinde yer alan bir şehirdir grenoble rhône alpes bölgesinin içindedir bu

*grenoble history geography points of interest britannica* - May 17 2023

web grenoble city capital of isère département auvergne rhône alpes région southeastern france dauphiné southeast of lyon it lies along the isère river 702 feet 214 metres above sea level at the foot of mount rachais the

**grenoble france 2023 best places to visit tripadvisor** - Jan 13 2023

web about grenoble ringed by ski resorts and forested parks there s a sport for every season in grenoble the self proclaimed capital of the alps culture seekers will find plenty to explore in the university town s urban center where art galleries and museums hug the banks of the isère river sponsored by trainline

**grenoble wikipedia** - Aug 20 2023

web grenoble with the dauphiné alps in the background grenoble is surrounded by mountains to the north lies the chartreuse to the south and west the vercors and to the east the belledonne range grenoble is regarded as the capital of the french alps it is the centre of the grenoble urban unit agglomeration

**the 15 best things to do in grenoble tripadvisor** - Jun 18 2023

web things to do in grenoble france see tripadvisor s 91 013 traveler reviews and photos of grenoble tourist attractions find what to do today this weekend or in september we have reviews of the best places to see in grenoble visit top rated must see attractions

**grenoble wikitravel** - Nov 11 2022

web dec 28 2020 grenoble 1 is a city of around 158 000 inhabitants 550 000 taking into account the metropolitan area

located in south eastern france in the rhône alpes region that encompasses the french alps the climate is quite cold in winter with days of snow almost every year

[grenoble simple english wikipedia the free encyclopedia](#) - Dec 12 2022

web grenoble is a french commune in the alpine foothills it is the prefecture of the isère department in the auvergne rhône alpes region it has an oceanic climate cfb in the koeppen climate classification it is an important centre for scientific research in france

**l homme qui marchait au plafond in 8a br 340 pp 0 pdf mary** - Jul 19 2023

web may 21 2023 merely said the l homme qui marchait au plafond in 8a br 340 pp 0 pdf is universally compatible with any devices to read modern french course dondo mathurin 1967 the atomists leucippus and democritus leucippus 2010 01 01 a new presentation of the evidence for the thought of leucippus and democritus based on the original sources

[Иранда құлаған ғимараттың астында 80 ге жуық тұрғын](#) - Aug 08 2022

web may 24 2022 Хабар 24 Тәулік бойы ақпарат тарататын арна Жаңалықтар Жаңалықтар топтамасы Басты жаңалықтар

**un homme se tue en s immolant par le feu en plein tunis** - Jul 07 2022

web sep 12 2021 tunisie un homme se tue en s immolant par le feu en plein tunis amené à l hôpital après son geste l homme qui s était immolé par le feu dans le centre de la capitale tunisienne est

**l homme qui marchait au plafond in 8a br 340 pp 0 pdf** - Nov 11 2022

web rather than enjoying a fine pdf with a cup of coffee in the afternoon on the other hand they juggled later than some harmful virus inside their computer l homme qui marchait au plafond in 8a br 340 pp 0 is within reach in our digital library an online access to it is set as public as a result you can download it instantly

*l homme qui marchait au plafond in 8a br 340 pp 0 mary* - May 17 2023

web the same way as this l homme qui marchait au plafond in 8a br 340 pp 0 but stop taking place in harmful downloads rather than enjoying a good book afterward a mug of coffee in the afternoon otherwise they juggled in imitation of some harmful virus inside their computer l homme qui marchait au plafond in 8a br 340 pp 0 is available in our

*il marchait la nuit 1948 le film était presque parfait hautetfort* - Sep 09 2022

web mar 23 2015 un film de alfred l werker et anthony mann ce film policier montrant avec force détail le processus d enquête de la police de los angeles suite à l assassinat d un de ses agents n est pas sans rappeler l excellent la brigade du suicide réalisé par anthony mann en 1947 tout l appareil de police est mis à contribution das une affaire

[l homme qui marchait au plafond in 8 br 340 pp 0 356 kg by](#) - Aug 20 2023

web l homme qui marchait au plafond in 8 br 340 pp 0 356 kg by kohout pavel pavel kohout l homme qui marchait au plafond

josef l uf de soleil il tait une histoire ieuh victor hugo l homme qui rit document du clan9 by jedi abde a sauv la vie de l enfant suspendu dans le vide barnab et la vache qui marchait au plafond achat la peur

**downloadable free pdfs l homme qui marchait au plafond in 8a br 340 pp 0** - Oct 10 2022

web l homme qui marchait au plafond in 8a br 340 pp 0 code of building laws and regulations of the city of montreal sep 21 2020 code of building laws and regulations of the city of montreal containing the by laws relating to buildings plumbing drainage and sewerage streets and roads hygiene etc the provincial laws and

**l homme qui marchait au plafond in 8a br 340 pp 0 pdf** - Dec 12 2022

web nov 18 2022 l homme qui marchait au plafond in 8a br 340 pp 0 2 8 downloaded from avenza dev avenza com on november 18 2022 by guest pendant son adolescence pourtant une fois sur place elle déchantée en découvrant que les clients de daniel sont loin d être des enfants de chœur pis encore si elle ne joue pas son rôle à la perfection

l homme qui marchait au plafond in 8a br 340 pp 0 copy - Jan 01 2022

web jun 29 2023 l homme qui marchait au plafond in 8a br 340 pp 0 1 6 downloaded from uniport edu ng on june 29 2023 by guest this l homme qui marchait au plafond in 8a br 340 pp 0 as one of the most functional sellers here will certainly be in the midst of the best options to review

*l homme qui marchait au plafond in 8a br 340 pp 0* - Apr 16 2023

web l homme qui marchait au plafond in 8a br 340 pp 0 accroche toi au balai j enlève le plafond apr 10 2023 taxing wages 2001 mar 29 2022 montrent un judicieux désordre qui facilite leur adaptation aux divers changements environnementaux ce n est pas étonnant elles sont le fruit de millions d années de recherche et développement

**l homme qui marchait au plafond in 8a br 340 pp 0 pdf** - Mar 15 2023

web jun 14 2023 could enjoy now is l homme qui marchait au plafond in 8a br 340 pp 0 below la quinzaine littéraire 1980 oeuvres scott 1830 weissbuch l homme qui marchait au plafond etc traduction française de dagmar et georges daillant pavel kohout 1972 francophonie edition 1973 etudes tchèques et slovaques n 5 1985 1985

**l homme qui marchait au plafond in 8a br 340 pp 0 pdf** - May 05 2022

web apr 18 2023 this online pronouncement l homme qui marchait au plafond in 8a br 340 pp 0 can be one of the options to accompany you when having supplementary time it will not waste your time take me the e book will very spread you further issue to read just invest tiny get older to edit this on line notice l homme qui marchait au plafond in 8a

**l homme qui marchait au plafond in 8a br 340 pp 0 uniport edu** - Apr 04 2022

web may 18 2023 l homme qui marchait au plafond in 8a br 340 pp 0 1 6 downloaded from uniport edu ng on may 18 2023 by guest l homme qui marchait au plafond in 8a br 340 pp 0 getting the books l homme qui marchait au plafond in 8a br 340 pp 0 now is not type of inspiring means you could not without help going with ebook heap or library or

[l homme qui marchait au plafond in 8a br 340 pp 0 pdf](#) - Feb 02 2022

web jul 1 2023 l homme qui marchait au plafond in 8a br 340 pp 0 1 6 downloaded from uniport edu ng on july 1 2023 by guest l homme qui marchait au plafond in 8a br 340 pp 0 if you ally need such a referred l homme qui marchait au plafond in 8a br 340 pp 0 book that will present you worth acquire the entirely best seller from us currently from

**[l homme qui marchait au plafond in 8a br 340 pp 0 pdf](#)** - Mar 03 2022

web may 24 2023 l homme qui marchait au plafond in 8a br 340 pp 0 1 6 downloaded from uniport edu ng on may 24 2023 by guest l homme qui marchait au plafond in 8a br 340 pp 0 yeah reviewing a books l homme qui marchait au plafond in 8a br 340 pp 0 could grow your close associates listings this is just one of the solutions for you to be

[iran un homme s immole par le feu le figaro](#) - Jun 06 2022

web feb 18 2014 un employé du ministère iranien du pétrole s est immolé par le feu hier après une visite du président hassan rohani ont rapporté mardi les médias sans donner les motifs de son acte l

[l homme qui marchait au plafond in 8a br 340 pp 0 pdf](#) - Feb 14 2023

web mar 28 2023 l homme qui marchait au plafond in 8a br 340 pp 0 2 5 downloaded from uniport edu ng on march 28 2023 by guest description des antiquits de tentyris de coptos et d apollinopolis parva jean baptiste prosper jollois 1817 le nouvel observateur 1975 les hommes de sang cdric monichon etudes tchques et slovaques hana voisine jechov 1981

**[l homme qui marchait au plafond in 8a br 340 pp 0 pdf mary](#)** - Jun 18 2023

web may 22 2023 l homme qui marchait au plafond in 8a br 340 pp 0 pdf is available in our digital library an online access to it is set as public so you can download it instantly our book servers hosts in multiple locations allowing you to get the most less latency time to download any of our books like this one merely said the l homme qui marchait au

*[l homme qui marchait au plafond in 8a br 340 pp 0 2022](#)* - Jan 13 2023

web l homme qui marchait au plafond in 8a br 340 pp 0 3 3 military service in algeria coincidentally took him to the same area at the time of that tragedy their neighbor is a girl who would like to understand this past that is so painful to discuss the eleven diverse tales that follow presented under the title under the jasmin at night

[distributed control system dcs yokogawa turkey](#) - Jul 15 2023

web yokogawa distributed control systems provide the industry s highest field proven system availability enterprise wide interoperability extensive advanced solutions portfolio and third party certified defense in depth cybersecurity to increase productivity and

[distributed control system dcs yokogawa electric corporation](#) - Aug 16 2023

web a distributed control system dcs is a platform for automated control and operation of a plant or industrial process a dcs combines the following into a single automated system human machine interface hmi logic solvers historian common

database alarm management and a common engineering suite

**ti 33k01a10 50e technical information centum vp yokogawa** - Nov 07 2022

web 1 centum vp overview yokogawa is the world s first company that introduced the distributed control system dcs in 1975 the first series of centum systems ever since yokogawa kept developing and enhancing the centum series systems by complying with what customers managers operators engineers and so on requirements

**intro to yokogawa dcs centum vp distributed control systems** - Jun 02 2022

web oct 27 2021 yokogawa is a japanese industrial company that started with the manufacture and sales of electric meters in 1915 yokogawa introduced its first centum dcs in 1975 centum v and centum xl followed in the 1980s centum cs and cs 3000 were introduced in the 1990s

distributed control system dcs class descriptions yokogawa - Apr 12 2023

web course description this course consists of lectures demonstrations laboratory exercises and question and answer sessions designed to educate the student in the system configuration his and fcs builders regulatory and calculation functions control programs graphics and advanced function blocks

**distributed control system dcs yokogawa s top 10 features** - Dec 08 2022

web discover the top ten features that make us a leader in control system performance and the world s most trusted automation partner globally over 10 000 operators use our dcs technology and solutions to help meet or exceed production targets every year yokogawa electric corporation

**yokogawa dcs and sis system architecture instrumentationtools** - Mar 31 2022

web yokogawa s centum vp r6 innovates the engineering environment of dcs specifically it reduces the time and effort required for system construction and engineering as a further enhancement a new i o system network i o n io was added to

*yokogawa centum cs 3000 dcs training course* - Dec 28 2021

web yokogawa centum cs 3000 dcs training course hamid eghbalpour this chapter deals with the introduction to process control system system concepts of distributed control system and the development history of process control system

*yokogawa dcs tutorials configuration of analog input transmitter* - Mar 11 2023

web by s bharadwaj reddy in this article we will learn how to do the configuration of analog input transmitter in the yokogawa centum vp dcs system the dcs abbreviation is distributed control system here we will configure a

different models of yokogawa dcs and basic overview - Feb 27 2022

web aug 4 2022 centum vp in 1975 yokogawa introduced the centum distributed control system dcs a world first the ninth generation of the centum series is centum vp the centum cs 3000 line was continued in the 2000s which also saw the introduction of the prosafe rs sis the decade of 2010 introduced us to centum vp

**centum vp dcs yokogawa america** - May 01 2022

web details enhancements yokogawa dcs controllers i o operations engineering field digital data integration network security lifecycle solutions centum vp r6 06 improving productivity and eliminating downtime with quick system upgrades and a one of a kind virtualization platform

ti 33q01b10 01e technical information yokogawa - Jan 29 2022

web first introduces yokogawa s enterprise technology solutions concept centum cs 3000 system concepts yokogawa solutions and related software packages chapters 2 through 16 introduce centum cs 3000 system

**yokogawa centum vp first project basic and logic youtube** - Feb 10 2023

web aug 30 2020 yokogawa centum vp is a dcs platform and here you will see how to create your first project you will see what are the minimum required hardware platform develop your program regarding the

technical information centum vp yokogawa - Sep 05 2022

web yokogawa is the world s first company that introduced the distributed control system dcs in 1975 the first series of centum systems ever since yokogawa kept developing and enhancing the centum series systems by complying with what customers managers operators engineers and so on requirements as the generations

**yokogawa dcs centum vp wellhead control project training** - Jul 03 2022

web jan 17 2022 lc64 is the function block in yokogawa centum vp to implement logic and binary operation that is crucial for interlock and controlling strategies in this vid

**introduction to yokogawa dcs youtube** - Jun 14 2023

web oct 27 2021 the unified gateway station ugs acts as an interface allowing centum vp to communicate with a variety of network based subsystems such as modbus rtus modbus tcp units ethernet ip units and

webinar introduction programming to yokogawa dcs - May 13 2023

web programming will be demonstrated using 2 pid loops to control the level of a tank controlling the inflow into the tank we will also demonstrate how to program pumps and solenoid valves using yokogawa s sio blocks

yokogawa dcs programming automation control - Jan 09 2023

web nov 27 2010 dcs yokogawa as a client for opc open platform communications opc 2 jun 2 2021 m dcs difference between yokogawa and honeywell distributed control systems dcs 4 may 10 2021 z user defined function blocks and faceplates in yokogawa centumvp dcs distributed control systems dcs 1 may 1 2021 s

**yokogawa dcs centum cs3000 tutorial quick start project youtube** - Oct 06 2022

web sep 14 2019 this is a starting video for our yokogawa dcs series in this video we show how to make a fast and basic project related to pid controller test function pid application with available tools with

user s manual engineering guide yokogawa - Aug 04 2022

web the copyright of the programs and online manuals contained in the software medium of the software product shall remain with yokogawa you are allowed to print the required pages of the online manuals for the purposes of using or operating the product however reprinting or reproducing the entire document is strictly prohibited by the