

## ○ Connecting to Disable the Speed Limiter



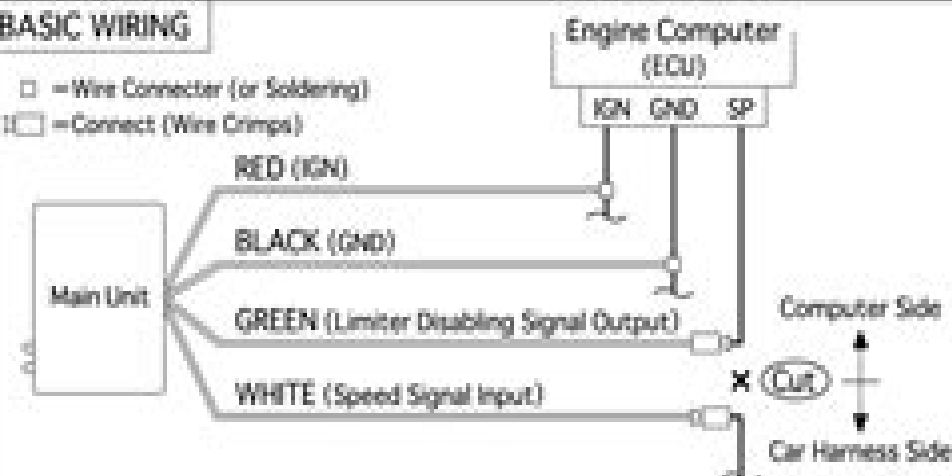
NOTE

1. Please connect the speed signal wires according to the specified layout for your car in [Speed Signal Wiring Table].
2. If you connect to the optional coupler for the car navigation system, the limiter will not be disabled.
3. If your car type is for installation only (△) in the [Speed Signal Wiring Table], do not connect wires in this way. It may cause damage to or malfunction in your car.

### BASIC WIRING

□ = Wire Connector (or Soldering)

⊞ = Connect (Wire Crimps)



### Connecting the speed signal to your car navigation system.

Connect your car navigation system to Car Harness Side.



■ INSTALLATION ■ Please refer to the attached ECU drawing for each connection.

Wire Color	ECU Location	Signal	Connecting Method
RED	IGN	IGN	Connect the designated wire.
BLACK	GND	GND	Connect the designated wire
GREEN	sp	Limiter Disabling Signal Output	Cut the designated wire. <ul style="list-style-type: none"> <li>→ Connect to the Computer Side.</li> <li>→ Connect to the Car Harness Side.</li> </ul>
WHITE		Speed Signal Input	

## △ Connecting to NOT Disable the Speed Limiter

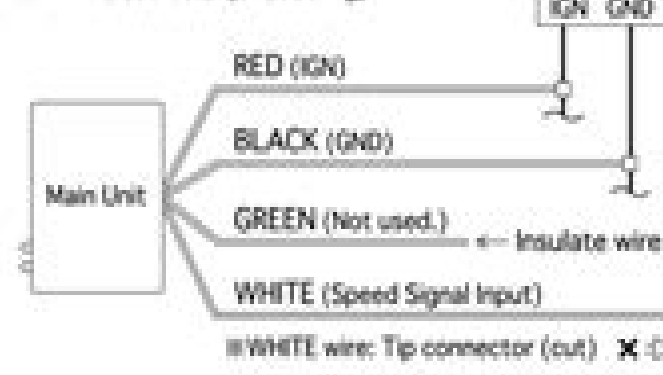


NOTE

1. If your car type is for installation only (△) in the [Speed Signal Wiring Table], please be sure to use this type of connection.
2. If your car type is listed as a type in which the speed limiter can be disabled, but problems persist when doing so, please use this type of connection.

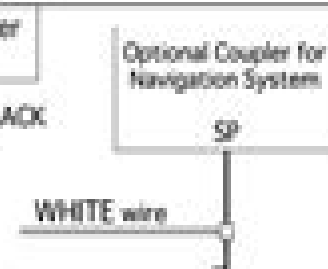
### BASIC WIRING

□ = Wire Connector (or Soldering)



### Connecting the speed signal to other (optional coupler) than the ECU.

Only connect the RED (IGN) and BLACK (GND) after checking with tester.



■ INSTALLATION ■ Please refer to the attached ECU drawing for each connection.

Cable Color	ECU Location	Signal	Connecting Method
RED	IGN	IGN	Connect the designated wire
BLACK	GND	GND	Connect the designated wire
GREEN	—	—	(Not used. Insulate the tip.)
WHITE	SP	Speed Signal Input	Connect the designated wire

# Pivot Speed Meter Manual

**N Noddings**



## **Pivot Speed Meter Manual:**

Recognizing the quirk ways to get this book **Pivot Speed Meter Manual** is additionally useful. You have remained in right site to start getting this info. get the Pivot Speed Meter Manual partner that we come up with the money for here and check out the link.

You could purchase guide Pivot Speed Meter Manual or acquire it as soon as feasible. You could speedily download this Pivot Speed Meter Manual after getting deal. So, when you require the ebook swiftly, you can straight acquire it. Its for that reason no question simple and thus fats, isnt it? You have to favor to in this expose

[https://crm.avenza.com/results/virtual-library/Download\\_PDFS/Sears\\_Garage\\_Door\\_Opener\\_Remote\\_Manual.pdf](https://crm.avenza.com/results/virtual-library/Download_PDFS/Sears_Garage_Door_Opener_Remote_Manual.pdf)

## **Table of Contents Pivot Speed Meter Manual**

1. Understanding the eBook Pivot Speed Meter Manual
  - The Rise of Digital Reading Pivot Speed Meter Manual
  - Advantages of eBooks Over Traditional Books
2. Identifying Pivot Speed Meter Manual
  - Exploring Different Genres
  - Considering Fiction vs. Non-Fiction
  - Determining Your Reading Goals
3. Choosing the Right eBook Platform
  - Popular eBook Platforms
  - Features to Look for in an Pivot Speed Meter Manual
  - User-Friendly Interface
4. Exploring eBook Recommendations from Pivot Speed Meter Manual
  - Personalized Recommendations
  - Pivot Speed Meter Manual User Reviews and Ratings
  - Pivot Speed Meter Manual and Bestseller Lists
5. Accessing Pivot Speed Meter Manual Free and Paid eBooks

- Pivot Speed Meter Manual Public Domain eBooks
  - Pivot Speed Meter Manual eBook Subscription Services
  - Pivot Speed Meter Manual Budget-Friendly Options
6. Navigating Pivot Speed Meter Manual eBook Formats
- ePub, PDF, MOBI, and More
  - Pivot Speed Meter Manual Compatibility with Devices
  - Pivot Speed Meter Manual Enhanced eBook Features
7. Enhancing Your Reading Experience
- Adjustable Fonts and Text Sizes of Pivot Speed Meter Manual
  - Highlighting and Note-Taking Pivot Speed Meter Manual
  - Interactive Elements Pivot Speed Meter Manual
8. Staying Engaged with Pivot Speed Meter Manual
- Joining Online Reading Communities
  - Participating in Virtual Book Clubs
  - Following Authors and Publishers Pivot Speed Meter Manual
9. Balancing eBooks and Physical Books Pivot Speed Meter Manual
- Benefits of a Digital Library
  - Creating a Diverse Reading Collection Pivot Speed Meter Manual
10. Overcoming Reading Challenges
- Dealing with Digital Eye Strain
  - Minimizing Distractions
  - Managing Screen Time
11. Cultivating a Reading Routine Pivot Speed Meter Manual
- Setting Reading Goals Pivot Speed Meter Manual
  - Carving Out Dedicated Reading Time
12. Sourcing Reliable Information of Pivot Speed Meter Manual
- Fact-Checking eBook Content of Pivot Speed Meter Manual
  - Distinguishing Credible Sources
13. Promoting Lifelong Learning
- Utilizing eBooks for Skill Development

- Exploring Educational eBooks
14. Embracing eBook Trends
- Integration of Multimedia Elements
  - Interactive and Gamified eBooks

### **Pivot Speed Meter Manual Introduction**

In the digital age, access to information has become easier than ever before. The ability to download Pivot Speed Meter Manual has revolutionized the way we consume written content. Whether you are a student looking for course material, an avid reader searching for your next favorite book, or a professional seeking research papers, the option to download Pivot Speed Meter Manual has opened up a world of possibilities. Downloading Pivot Speed Meter Manual provides numerous advantages over physical copies of books and documents. Firstly, it is incredibly convenient. Gone are the days of carrying around heavy textbooks or bulky folders filled with papers. With the click of a button, you can gain immediate access to valuable resources on any device. This convenience allows for efficient studying, researching, and reading on the go. Moreover, the cost-effective nature of downloading Pivot Speed Meter Manual has democratized knowledge. Traditional books and academic journals can be expensive, making it difficult for individuals with limited financial resources to access information. By offering free PDF downloads, publishers and authors are enabling a wider audience to benefit from their work. This inclusivity promotes equal opportunities for learning and personal growth. There are numerous websites and platforms where individuals can download Pivot Speed Meter Manual. These websites range from academic databases offering research papers and journals to online libraries with an expansive collection of books from various genres. Many authors and publishers also upload their work to specific websites, granting readers access to their content without any charge. These platforms not only provide access to existing literature but also serve as an excellent platform for undiscovered authors to share their work with the world. However, it is essential to be cautious while downloading Pivot Speed Meter Manual. Some websites may offer pirated or illegally obtained copies of copyrighted material. Engaging in such activities not only violates copyright laws but also undermines the efforts of authors, publishers, and researchers. To ensure ethical downloading, it is advisable to utilize reputable websites that prioritize the legal distribution of content. When downloading Pivot Speed Meter Manual, users should also consider the potential security risks associated with online platforms. Malicious actors may exploit vulnerabilities in unprotected websites to distribute malware or steal personal information. To protect themselves, individuals should ensure their devices have reliable antivirus software installed and validate the legitimacy of the websites they are downloading from. In conclusion, the ability to download Pivot Speed Meter Manual has transformed the way we access information. With the convenience, cost-effectiveness, and accessibility it offers,

free PDF downloads have become a popular choice for students, researchers, and book lovers worldwide. However, it is crucial to engage in ethical downloading practices and prioritize personal security when utilizing online platforms. By doing so, individuals can make the most of the vast array of free PDF resources available and embark on a journey of continuous learning and intellectual growth.

### **FAQs About Pivot Speed Meter Manual Books**

How do I know which eBook platform is the best for me? Finding the best eBook platform depends on your reading preferences and device compatibility. Research different platforms, read user reviews, and explore their features before making a choice. Are free eBooks of good quality? Yes, many reputable platforms offer high-quality free eBooks, including classics and public domain works. However, make sure to verify the source to ensure the eBook credibility. Can I read eBooks without an eReader? Absolutely! Most eBook platforms offer web-based readers or mobile apps that allow you to read eBooks on your computer, tablet, or smartphone. How do I avoid digital eye strain while reading eBooks? To prevent digital eye strain, take regular breaks, adjust the font size and background color, and ensure proper lighting while reading eBooks. What the advantage of interactive eBooks? Interactive eBooks incorporate multimedia elements, quizzes, and activities, enhancing the reader engagement and providing a more immersive learning experience. Pivot Speed Meter Manual is one of the best book in our library for free trial. We provide copy of Pivot Speed Meter Manual in digital format, so the resources that you find are reliable. There are also many Ebooks of related with Pivot Speed Meter Manual. Where to download Pivot Speed Meter Manual online for free? Are you looking for Pivot Speed Meter Manual PDF? This is definitely going to save you time and cash in something you should think about.

### **Find Pivot Speed Meter Manual :**

~~sears garage door opener remote manual~~

~~seagull outboard engine manual~~

[screwtape letters focus guide and answers](#)

[scrapping recipe cards](#)

*seal the deal special ops homefront book english edition*

[sears 15 outboard manual 217](#)

**sea doo gti service manual**

*searchable kaf450 mule 1000 factory service manual*

**sea doo sp spx gs 1997 factory service repair manual**

**sea urchins book one english edition**

**sears garage door keypad manual**

seagull coastline cedar 12 string guitars owners manual

seadoo pwc shop manual 1990

*sears craftsman garage door opener manual 1 2 hp*

sears kenmore side by side refrigerator manual

### **Pivot Speed Meter Manual :**

**the ultimate author checklist for online book marketing** - May 11 2023

web marketing engine going that will help you to sell more books since you ve taken the steps to get this checklist you obviously see the importance of marketing your books so we are here to help you don t let this become just another thing you look at and forget about read through the detailed checklist and print out the list at the end and

the sales checklist tm get it right every time google books - Sep 03 2022

web mar 16 2020 the sales checklist tm get it right every time provides an innovative easy to use checklist to avoid missing critical steps and minimize losses in complex sales the sales checklist tm empowers sales professionals to immediately have a higher baseline of performance by reminding them of the necessary steps in a sales process

**get more book sales the checklist pdf ai classmonitor** - Jul 13 2023

web get more book sales the checklist 5 5 book sales are you holding a manuscript in your hand that you wish amazon was selling or do you already have a book on amazon that you wish was selling better in either case sell your book on amazon will help you you will experience what i have seen first hand as the president of outskirts press that

the sales checklist get it right every time amazon com - Jul 01 2022

web mar 16 2020 the sales checklist is a well written book to enhance the sales professional as well as any sales based organization the sales checklist takes the guesswork out of the sales cycle and relieves the tension from delivering what would normally be bad news

**the sales checklist the millau group** - Apr 29 2022

web the sales checklist empowers sales professionals to immediately have a higher baseline of performance by reminding them of the necessary steps in a sales process where missing one step potentially has the same consequences as missing all the steps



[where to buy books in singapore without leaving your house](#) - Feb 08 2023

web apr 6 2023 blackwell s is another uk based book retailer that offers delivery to singapore delivery costs are included in the books prices and you can expect your books to arrive within 10 to 15 business days you don t need to worry about currency conversion either as you can opt to browse with the prices listed in sgd

[book launch unique formula for long term sales checklist](#) - Oct 16 2023

web sep 14 2021 download your free book launch checklist to get your launch right the first time hit the button to claim yours after all you ve already spent months or even years crafting your manuscript you ve also spent a small fortune on a book cover hiring an editor proofreading formatting and other related expenses

[how to set the price of your book entrepreneur](#) - Mar 09 2023

web 2 days ago here are three price change strategies to consider launch at reduced promotional price consider discounting your book at launch to 0 99 or 2 99 for the first few weeks this sparks initial

[70 book marketing ideas to rocket boost your sales reedsy](#) - Aug 14 2023

web mar 3 2021 just getting started with book marketing here are 10 fundamental things every single author should do to market their book 1 get your book info right successful marketing starts with the book itself especially the information you attach when you publish

[get more book sales the checklist pdf admin store motogp](#) - Feb 25 2022

web to write 77 powerful methods to get more kindle ebook sales this book will show you how to 1 growing a powerful audience on social media 2 effectively using amazon s tools 3 getting

[get more book sales the checklist download only db csda](#) - Aug 02 2022

web get more book sales the checklist 1 get more book sales the checklist 101 weird ways to make money how to get your book into schools and double your income with volume sales wellness warrior book sales explosion mini habits the sales advantage let s get digital these deadly games atomic habits the scribe method where the hell

**10 ways to increase your book sales and earn more money as** - Sep 15 2023

web let s take a look at 10 different ways you can get more book sales and hence make more money helping you become the full time author you want to be

[9 point book sales checklist for holiday the lulu blog](#) - Apr 10 2023

web oct 16 2020 wondering how to get more sales of your book this holiday now before people start shopping is the time to start thinking about how you can take advantage of this unique shopping season like all entrepreneurs you re likely selling the majority of your books online that s a trend that is going to continue to grow

[17 best bookshops in singapore time out](#) - Jan 07 2023

web 5 grassroots book room shopping bookshops outram chinese book lovers will have lots to browse at grassroots book room started in 1995 this quaint bookstore stocks an impressive range of [get more book sales the checklist 2022 discover designlights](#) - Oct 04 2022

web get more book sales the checklist we tripled book sales doing this top 5 books on sales 5 easy ways to increase your kdp book sales this made me a kdp millionaire instantly increase your kdp book sales with this simple tool in under 5 minutes how i made 7 500 in one week selling an e book how to market a book [how to get your book published in singapore honeykids asia](#) - Dec 06 2022

web oct 13 2023 if you really want to learn more about children s publishing then i would also suggest going to the asian festival of children s content where you can meet editors agents and publishers to whom you can pitch your ideas getting good contacts can really help with finding a path to being published

[get more book sales the checklist book rjonline org](#) - Mar 29 2022

web get more book sales the checklist get more book sales the checklist 2 downloaded from rjonline org on 2020 03 01 by guest splash banners sales pages ontraport everwebinar and so much more take each chapter day by day and make the suggested improvements or spend some time at night or on the weekends to implement what will *the ultimate guide to book marketing bookbub partners blog* - Jun 12 2023

web oct 30 2023 learn to sell more books whether promoting a new release or backlist title topics include how to design a book cover sell preorders launch a new release boost series sales run price promotions build an author platform and more *the 15 best sales books you need to read in 2021 breadcrumbs* - May 31 2022

web jul 13 2021 that alone makes this one of the best sales books in 2021 by our estimate 2 selling to the c suite if you re a b2b brand you re likely going to be selling to c suite executive members it s intimidating and it s also completely different from selling to department heads with who you re likely already familiar

**get more book sales the checklist admin store motogp** - Nov 05 2022

web get more book sales the checklist 3 3 strategies that are proven to sell more books get expert tips on platform building blogging and social media discover which approaches are best

**anthologie bilingue de la poa c sie allemande old syndeohro** - Jul 06 2023

web 4 anthologie bilingue de la poa c sie allemande 2023 09 14 psychology and contemporary linguistics and philosophy in this work giorgio agamben attempts to reconfigure the epistemologic al foundation of western culture he rereads freud and saussure to discover the impossibility of metalanguage there is no superior language

[anthologie bilingue de la poa c sie allemande 2023](#) - Sep 27 2022

web enter the realm of anthologie bilingue de la poa c sie allemande a mesmerizing literary masterpiece penned by a

distinguished author guiding readers on a profound journey to unravel the secrets and potential hidden within every word  
*anthologie bilingue de la poa c sie allemande pdf* - Oct 09 2023

web anthologie bilingue de la poa c sie allemande pluriel charles baudelaire oeuvres complètes golden deer classics marilyn monroe and other poems comic strips consumer cult pb anthology of the paradoxist literary movement genocides by the oppressed haiku for a season haiku per una stagione

anthologie bilingue de la po 233 sie anglaise ebay - Feb 18 2022

web les meilleures offres pour anthologie bilingue de la poésie anglaise sont sur ebay comparez les prix et les spécificités des produits neufs et d occasion pleins d articles en livraison gratuite

*anthologie bilingue de la poa c sie allemande copy dev rideicon* - Jun 24 2022

web anthologie bilingue de la poa c sie allemande downloaded from dev rideicon com by guest laylah clara comic strips consumer cult pb walter de gruyter the author describes his journey through the uncharted lands of northern myanmar describing new species and trying to persuade the government to preserve the land the concise

anthologie bilingue de la poa c sie allemande full pdf - Dec 31 2022

web anthologie bilingue de la poa c sie allemande 1 anthologie bilingue de la poa c sie allemande this is likewise one of the factors by obtaining the soft documents of this anthologie bilingue de la poa c sie allemande by online you might not require more period to spend to go to the ebook start as capably as search for them in some cases

free anthologie bilingue de la poa c sie allemande - Sep 08 2023

web reprendre les bases de la grammaire allemande ou de contrôler ses connaissances il comprend 15 chapitres thématiques abordant point par point les spécificités de la grammaire allemande des zooms sur certaines particularités pour mieux comprendre 74 exercices ou mini contrôles corrigés

**anthologie bilingue de la poa c sie allemande monograf** - Jul 26 2022

web anthologie bilingue de la poa c sie allemande and numerous book collections from fictions to scientific research in any way in the midst of them is this anthologie bilingue de la poa c sie allemande that can be your partner anthologie bilingue de la poa c sie allemande downloaded from monograf no by guest hooper nixon catalog of

**anthologie bilingue de la poésie allemande babelio** - Aug 07 2023

web sep 24 1993 critiques citations 56 extraits de anthologie bilingue de la poésie allemande de jean pierre lefebvre bienvenue et adieu extrait 2 je t ai vue et la joie si tendr

**anthologie bilingue de la poa c sie allemande martinus nijhoff** - Oct 29 2022

web kindly say the anthologie bilingue de la poa c sie allemande is universally compatible with any devices to read petrus christus maryan w ainsworth 1994 this study is an important new account of the life and work of the flemish

*anthologie bilingue de la poa c sie allemande full pdf* - Mar 22 2022

web haiku for a season haiku per una stagione get 1994 the economies of hellenistic societies third to first centuries bc the concise oxford french dictionary anthologie bilingue de la poa c sie allemande downloaded from max gamezz com by guest gordon hudson t emptations from ancrene wisse oxford university press poetry

*anthologie bilingue de la poa c sie allemande pdf ftp vape* - Apr 22 2022

web anthologie bilingue de la poa c sie allemande downloaded from ftp vape mexico com by guest camryn brenden get 1994 university of illinois press like many other south american indian communities the suya indians of mato grosso brazil devote a great deal of time and energy to making music especially singing in paperback for the

**anthologie bilingue de la poa c sie allemande pdf wp publish** - Apr 03 2023

web this extraordinary book aptly titled anthologie bilingue de la poa c sie allemande compiled by a highly acclaimed author immerses readers in a captivating exploration of the significance of language and its profound affect our existence

**anthologie bilingue de la poa c sie allemande anton roland** - Mar 02 2023

web anthologie bilingue de la poa c sie allemande getting the books anthologie bilingue de la poa c sie allemande now is not type of challenging means you could not unaided going bearing in mind book addition or library or borrowing from your connections to contact them this is an utterly simple means to specifically get lead by on line

**anthologie bilingue de la poésie anglaise amazon de** - May 24 2022

web l anthologie bilingue de la poésie anglaise couvre treize siècles de création poétique de beowulf l épopée en anglo saxon du viiiie siècle aux textes de simon armitage né en 1963 soixante douze traducteurs se sont attelés à faire entendre la voix de cent quatre vingt douze auteurs anglais écossais gallois irlandais connus ou

**anthologie bilingue de la poa c sie allemande pdf alerts** - Nov 29 2022

web anthologie bilingue de la poa c sie allemande downloaded from alerts nativefishsociety org by guest nadia brody sententia 1 arcadia books la liste exhaustive des ouvrages disponibles publiés en langue française dans le monde la liste des éditeurs et la liste des collections de langue française allegories of love

**anthologie bilingue de la poa c sie allemande pdf uniport edu** - May 04 2023

web jun 11 2023 anthologie bilingue de la poa c sie allemande 2 8 downloaded from uniport edu ng on june 11 2023 by guest ideas that human nature was inclined to goodness and that man had free will pelagius was excommunicated in 418 after a campaign to vilify him for inventing a new and dangerous heresy

**anthologie bilingue de la poa c sie allemande pdf** - Feb 01 2023

web anthologie bilingue de la poa c sie allemande 3 3 reached far beyond his music his lifelong project retallack writes in her comprehensive introduction was dislodging cultural authoritarianism and gridlock by inviting surprising conjunctions within

carefully delimited frameworks and processes consummate performer to the end cage

**anthologie bilingue de la poa c sie allemande full pdf bianchis** - Jun 05 2023

web for their favorite readings like this anthologie bilingue de la poa c sie allemande but end up in malicious downloads rather than enjoying a good book with a cup of tea in the afternoon instead they juggled with some harmful virus inside their desktop computer anthologie bilingue de la poa c sie allemande is available in our book collection

[anthologie bilingue de la poa c sie allemande pdf](#) - Aug 27 2022

web 4 anthologie bilingue de la poa c sie allemande 2022 10 03 anonymous early thirteenth century guide for anchoresses the ancrene wise is one of the most important middle english prose texts divided into eight parts it provides instruction in a lively and witty style on a variety of matters from prayer to everyday life including diet

**gr54 trekking in the ecrins np france summit cairn** - Apr 11 2023

web apr 15 2023 the gr54 et the ecrins national park the tour of oisans and ecrins is a loop that travels through these beautiful mountains in the heart of the isere department the diversity of landscapes their beauty and wildness especially for the southern part make this gr one of the most beautiful

**gr54 hiking the tour of the Écrins national park tour de** - May 12 2023

web stunning walk in the french Écrins national park gr54 is great trek through some of the wildest mountain terrain in the world superbe promenade dans le parc national des Écrins français le

**gr54 key information knife edge outdoor guidebooks** - Mar 10 2023

web what is the tour of the ecrins national park gr54 the tour of the ecrins national park is also known as the gr54 it is arguably the best trek in the alps it is an incredible walk of 193km 120 miles around the incomparable ecrins national park in the southern french alps on the way 14 magnificent mountain passes are crossed

**gr 54 tour of oisans ecrins national park alltrails** - Nov 06 2022

web apr 6 2021 the gr 54 is a loop that goes around oisans and the ecrins massif in the heart of the ecrins national park departments of isère and hautes alpes it takes between 10 and 15 days to cover it

*the tour of the ecrins national park gr54 great t download* - Jun 13 2023

web the tour of the ecrins national park gr54 great t walking in abruzzo apr 11 2020 the essential guidebook for walking in abruzzo a wild and beautiful region of italy which includes the maiella and gran sasso national parks and sirente velino regional park 40

**gr 54 tour de l oisans et des ecrins list alltrails** - Dec 07 2022

web the gr54 is a loop that goes around the oisans and the ecrins massif in the heart of the ecrins national park departments of isère and hautes alpes it takes between 10 and 15 days to cover it here is a list of the 13 stage route which

**discover Écrins national park on the 8 day tour 10 adventures** - Oct 05 2022

web the 8 day tour des ecrins trekking tour also called gr54 is the ideal adventure for anyone with a love for breathtaking mountain scenery the route leads through the beautifully scenic ecrins national park which was

**gr 54 tour of oisans ecrins national park alltrails** - Jan 08 2023

web the gr 54 is a loop that goes around oisans and the ecrins massif in the heart of the ecrins national park departments of isère and hautes alpes it takes between 10 and 15 days to cover it

**tour of the ecrins national park gr54 real ign maps** - Sep 04 2022

web aug 1 2019 the complete guidebook for the tour of the ecrins national park gr54 in the french alps the only guidebook with real 1 25 000 maps proper mapping included for each stage this makes navigation easy and saves you money no

gr 54 hiking on the tour of oisans and ecrins massifs isere - Dec 27 2021

web hike throughout isere and hautes alpes deparment on the gr 54 tour of oisans and ecrins massifs from bourg d oisans via clavans le bas le chazelet villar d arene le casset monetier les bains chambran pelvoux vallouise le pra du clot vallonpierre lake le rif du sap la chapelle en valgaudemar les andrieux villar loubiere le bois

**gr54 pays des Écrins office de tourisme** - Jul 14 2023

web an itinerary showcased by the Écrins national park the great tour of the Écrins is a main hiking route that is promoted by the Écrins national park you can find all the information you need to prepare you great tour on

**hiking the tour des Écrins gr 54 the trek** - Jul 02 2022

web sep 2 2022 it is located in one of the eleven french national parks between briançon and grenoble the two hours drive from ceillac is unbelievably gorgeous and i can t believe i ve never been to the ecrins national park as it s pretty close to home i start hiking a bit late around 4pm and i m starting off with a massive and never ending climb

the ecrins circuit gr54 adventure holiday 2023 2024 ke - Jan 28 2022

web this truly classic walking holiday in france s southern alps takes us around the high peaks of the ecrins national park along a route that has long been a favourite and well kept secret amongst french randonneurs

**tour of the ecrins national park the great trek of the alps** - Jun 01 2022

web the tour of the ecrins national park gr54 is arguably the finest trek in the alps it is an epic journey around the unforgettable Écrins which has the highest mountains in the french alps outside of the mont blanc massif this is one of france s crown jewels and yet is hardly known to the english speaking world 193km 9 12 days

the tour des ecrins gr54 multi day trek ultimate france - Aug 15 2023

web the tour des ecrins gr54 has a reputation for being one of the most challenging multi day mountain treks in the alps this circular 10 day trek in the ecrins national park is over 180 km long includes 12 800m of ascent and crosses 14 high cols

**journey through ecrins national park hiking the gr54 trail** - Feb 26 2022

web jul 25 2023 typically the hike was during a heat wave last week and i hiked and wild camped 100miles through the gr54 trail the gr54 is a truly epic long distance trail of the circuit of the ecrins massif

[tour des ecrins english pays des Écrins office de tourisme](#) - Mar 30 2022

web 14 cols à franchir 12 800 mètres de dénivelé 15 jours pour rêver retrouvez toutes les informations et programmez votre grand tour des Écrins le grand tour des Écrins au départ du pays des Écrins départ de l argentière la bessée le grand tour des Écrins par les balcons le grand tour des Écrins en vtt

[top 5 views on the gr54 tgo magazine](#) - Feb 09 2023

web apr 16 2019 andrew mccluggage says the gr54 is the best alpine trek you have never heard of in fact it is arguably the finest alpine trek of all making a circumnavigation of the unforgettable Écrins national park one of france s crown

**gr54 le grand tour des Écrins youtube** - Apr 30 2022

web gr54 great tour of the Écrins france10 days hiking throughout Écrins national parkcircuit of 205 km with extra sections considered and a very unfortunate

**ecrins national park trekking the gr54 knife edge** - Aug 03 2022

web the tour of the ecrins national park is also known as the gr54 it is arguably the best trek in the alps it is an incredible walk of 193km 120 miles around the incomparable ecrins national park in the southern french alps it takes 9 12 days on the way 14 magnificent mountain passes are crossed