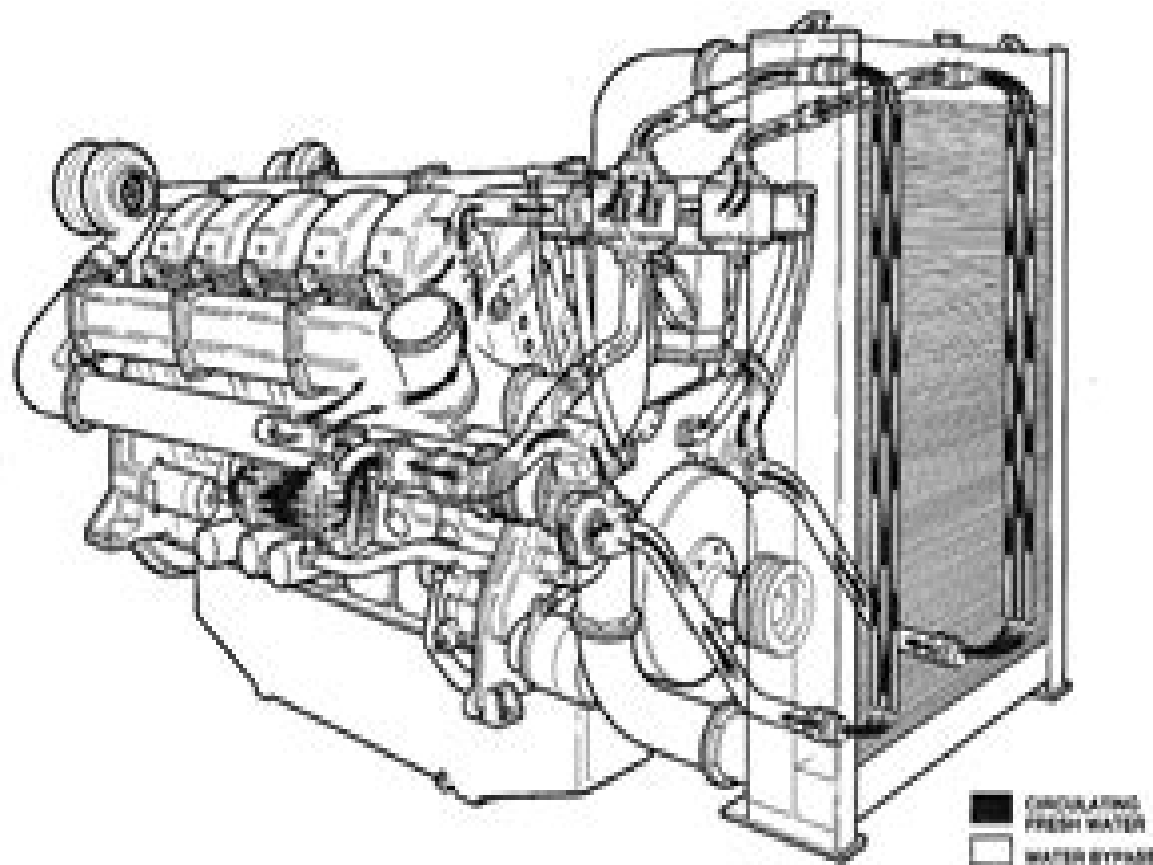




Perkins® 4012/16 TAG SERIES ENGINE (AIR COOLED CHARGE AIR COOLER) FRESH WATER CIRCULATION DIAGRAM



PERKINS ENGINES (STAFFORD) LIMITED, TIXALL ROAD, STAFFORD ST16 3UB

PUBLICATION TITLE NUMBER 100

Telephone: 01785 223141 Fax: 01785 215110 Telex: 36156

© PERKINS ENGINES (STAFFORD) LIMITED 1994

Perkins Parts Manual 4016

Puja Mehta



Perkins Parts Manual 4016:

As recognized, adventure as skillfully as experience more or less lesson, amusement, as well as conformity can be gotten by just checking out a ebook **Perkins Parts Manual 4016** plus it is not directly done, you could receive even more approaching this life, all but the world.

We offer you this proper as with ease as simple habit to get those all. We manage to pay for Perkins Parts Manual 4016 and numerous ebook collections from fictions to scientific research in any way. in the midst of them is this Perkins Parts Manual 4016 that can be your partner.

https://crm.avenza.com/book/Resources/Documents/Service_Manual_For_Merccruiser_Mcm_175.pdf

Table of Contents Perkins Parts Manual 4016

1. Understanding the eBook Perkins Parts Manual 4016
 - The Rise of Digital Reading Perkins Parts Manual 4016
 - Advantages of eBooks Over Traditional Books
2. Identifying Perkins Parts Manual 4016
 - Exploring Different Genres
 - Considering Fiction vs. Non-Fiction
 - Determining Your Reading Goals
3. Choosing the Right eBook Platform
 - Popular eBook Platforms
 - Features to Look for in an Perkins Parts Manual 4016
 - User-Friendly Interface
4. Exploring eBook Recommendations from Perkins Parts Manual 4016
 - Personalized Recommendations
 - Perkins Parts Manual 4016 User Reviews and Ratings
 - Perkins Parts Manual 4016 and Bestseller Lists
5. Accessing Perkins Parts Manual 4016 Free and Paid eBooks

- Perkins Parts Manual 4016 Public Domain eBooks
 - Perkins Parts Manual 4016 eBook Subscription Services
 - Perkins Parts Manual 4016 Budget-Friendly Options
6. Navigating Perkins Parts Manual 4016 eBook Formats
 - ePub, PDF, MOBI, and More
 - Perkins Parts Manual 4016 Compatibility with Devices
 - Perkins Parts Manual 4016 Enhanced eBook Features
 7. Enhancing Your Reading Experience
 - Adjustable Fonts and Text Sizes of Perkins Parts Manual 4016
 - Highlighting and Note-Taking Perkins Parts Manual 4016
 - Interactive Elements Perkins Parts Manual 4016
 8. Staying Engaged with Perkins Parts Manual 4016
 - Joining Online Reading Communities
 - Participating in Virtual Book Clubs
 - Following Authors and Publishers Perkins Parts Manual 4016
 9. Balancing eBooks and Physical Books Perkins Parts Manual 4016
 - Benefits of a Digital Library
 - Creating a Diverse Reading Collection Perkins Parts Manual 4016
 10. Overcoming Reading Challenges
 - Dealing with Digital Eye Strain
 - Minimizing Distractions
 - Managing Screen Time
 11. Cultivating a Reading Routine Perkins Parts Manual 4016
 - Setting Reading Goals Perkins Parts Manual 4016
 - Carving Out Dedicated Reading Time
 12. Sourcing Reliable Information of Perkins Parts Manual 4016
 - Fact-Checking eBook Content of Perkins Parts Manual 4016
 - Distinguishing Credible Sources
 13. Promoting Lifelong Learning
 - Utilizing eBooks for Skill Development

- Exploring Educational eBooks
14. Embracing eBook Trends
- Integration of Multimedia Elements
 - Interactive and Gamified eBooks

Perkins Parts Manual 4016 Introduction

In the digital age, access to information has become easier than ever before. The ability to download Perkins Parts Manual 4016 has revolutionized the way we consume written content. Whether you are a student looking for course material, an avid reader searching for your next favorite book, or a professional seeking research papers, the option to download Perkins Parts Manual 4016 has opened up a world of possibilities. Downloading Perkins Parts Manual 4016 provides numerous advantages over physical copies of books and documents. Firstly, it is incredibly convenient. Gone are the days of carrying around heavy textbooks or bulky folders filled with papers. With the click of a button, you can gain immediate access to valuable resources on any device. This convenience allows for efficient studying, researching, and reading on the go. Moreover, the cost-effective nature of downloading Perkins Parts Manual 4016 has democratized knowledge. Traditional books and academic journals can be expensive, making it difficult for individuals with limited financial resources to access information. By offering free PDF downloads, publishers and authors are enabling a wider audience to benefit from their work. This inclusivity promotes equal opportunities for learning and personal growth. There are numerous websites and platforms where individuals can download Perkins Parts Manual 4016. These websites range from academic databases offering research papers and journals to online libraries with an expansive collection of books from various genres. Many authors and publishers also upload their work to specific websites, granting readers access to their content without any charge. These platforms not only provide access to existing literature but also serve as an excellent platform for undiscovered authors to share their work with the world. However, it is essential to be cautious while downloading Perkins Parts Manual 4016. Some websites may offer pirated or illegally obtained copies of copyrighted material. Engaging in such activities not only violates copyright laws but also undermines the efforts of authors, publishers, and researchers. To ensure ethical downloading, it is advisable to utilize reputable websites that prioritize the legal distribution of content. When downloading Perkins Parts Manual 4016, users should also consider the potential security risks associated with online platforms. Malicious actors may exploit vulnerabilities in unprotected websites to distribute malware or steal personal information. To protect themselves, individuals should ensure their devices have reliable antivirus software installed and validate the legitimacy of the websites they are downloading from. In conclusion, the ability to download Perkins Parts Manual 4016 has transformed the way we access information. With the convenience, cost-effectiveness, and accessibility it offers, free PDF downloads have become a

popular choice for students, researchers, and book lovers worldwide. However, it is crucial to engage in ethical downloading practices and prioritize personal security when utilizing online platforms. By doing so, individuals can make the most of the vast array of free PDF resources available and embark on a journey of continuous learning and intellectual growth.

FAQs About Perkins Parts Manual 4016 Books

How do I know which eBook platform is the best for me? Finding the best eBook platform depends on your reading preferences and device compatibility. Research different platforms, read user reviews, and explore their features before making a choice. Are free eBooks of good quality? Yes, many reputable platforms offer high-quality free eBooks, including classics and public domain works. However, make sure to verify the source to ensure the eBook credibility. Can I read eBooks without an eReader? Absolutely! Most eBook platforms offer webbased readers or mobile apps that allow you to read eBooks on your computer, tablet, or smartphone. How do I avoid digital eye strain while reading eBooks? To prevent digital eye strain, take regular breaks, adjust the font size and background color, and ensure proper lighting while reading eBooks. What the advantage of interactive eBooks? Interactive eBooks incorporate multimedia elements, quizzes, and activities, enhancing the reader engagement and providing a more immersive learning experience. Perkins Parts Manual 4016 is one of the best book in our library for free trial. We provide copy of Perkins Parts Manual 4016 in digital format, so the resources that you find are reliable. There are also many Ebooks of related with Perkins Parts Manual 4016. Where to download Perkins Parts Manual 4016 online for free? Are you looking for Perkins Parts Manual 4016 PDF? This is definitely going to save you time and cash in something you should think about. If you trying to find then search around for online. Without a doubt there are numerous these available and many of them have the freedom. However without doubt you receive whatever you purchase. An alternate way to get ideas is always to check another Perkins Parts Manual 4016. This method for see exactly what may be included and adopt these ideas to your book. This site will almost certainly help you save time and effort, money and stress. If you are looking for free books then you really should consider finding to assist you try this. Several of Perkins Parts Manual 4016 are for sale to free while some are payable. If you arent sure if the books you would like to download works with for usage along with your computer, it is possible to download free trials. The free guides make it easy for someone to free access online library for download books to your device. You can get free download on free trial for lots of books categories. Our library is the biggest of these that have literally hundreds of thousands of different products categories represented. You will also see that there are specific sites catered to different product types or categories, brands or niches related with Perkins Parts Manual 4016. So depending on what exactly you are searching, you will be able to choose e books to suit your own need. Need to access completely for Campbell Biology Seventh Edition book? Access Ebook

without any digging. And by having access to our ebook online or by storing it on your computer, you have convenient answers with Perkins Parts Manual 4016 To get started finding Perkins Parts Manual 4016, you are right to find our website which has a comprehensive collection of books online. Our library is the biggest of these that have literally hundreds of thousands of different products represented. You will also see that there are specific sites catered to different categories or niches related with Perkins Parts Manual 4016 So depending on what exactly you are searching, you will be able to choose ebook to suit your own need. Thank you for reading Perkins Parts Manual 4016. Maybe you have knowledge that, people have search numerous times for their favorite readings like this Perkins Parts Manual 4016, but end up in harmful downloads. Rather than reading a good book with a cup of coffee in the afternoon, instead they juggled with some harmful bugs inside their laptop. Perkins Parts Manual 4016 is available in our book collection an online access to it is set as public so you can download it instantly. Our digital library spans in multiple locations, allowing you to get the most less latency time to download any of our books like this one. Merely said, Perkins Parts Manual 4016 is universally compatible with any devices to read.

Find Perkins Parts Manual 4016 :

[service manual for mercruiser mem 175](#)

service manual for zf marine gearbox 280 1

[service manual for versatile tractor](#)

service manual hitachi 50vs810 lcd projection television

[service manual for john deere 3036e](#)

service manual nad 7225pe 7020i receiver

service manual forenza

service manual for honda goldwing gl1500 2000

[service manual kia sorento 2015](#)

[service manual hp laserjet 2400](#)

service manual hitachi 50dx10b projection color television

service manual marantz sr5300 sr6300 av surround receiver

[service manual marantz 74 sr50 60b 65b audio stereo receiver](#)

[service manual honda crf150r](#)

[service manual fs45](#)

Perkins Parts Manual 4016 :**la tormenta perfecta el hombre contra los dioses del mar espinof** - Feb 26 2023

web oct 30 2010 si con en la línea de fuego in the line of fire 1993 una película en la que la personalidad de eastwood se imponía con tanta facilidad hizo un buen thriller con la tormenta perfecta the perfect storm 2000 lidiando con algunas de las estrellas más comerciales de hollywood pudo hacer quizá su mejor película la más emocionante

qué es una tormenta perfecta y cómo se genera national - Aug 03 2023

web sep 28 2022 una tormenta perfecta es un evento meteorológico potencialmente peligroso que se hace más grave por una combinación extraña de circunstancias suelen ser inusualmente severas ya que suceden cuando coinciden estos tres factores

la tormenta perfecta tokyvideo - Mar 18 2022

web la tormenta perfecta 6k publicidad publicidad compártelo añadir a favoritos 1 me gusta 0 no me gusta 6k user 428399 suscribirse 2 subido hace 2 meses reportar este vídeo la tormenta perfecta películas otros publicidad comentarios usuario ver más comentarios publicidad 15 03 ver más tarde

tormenta perfecta translation in english spanish english - Jun 20 2022

web hay una tormenta perfecta formándose y está aquí there is a perfect storm formulating and it is here perfect storms en 2011 profetizamos la tormenta perfecta in 2011 we prophesied the perfect storms

la tormenta perfecta película ver online en español justwatch - Mar 30 2023

web la tormenta perfecta ver online por stream comprarlo o rentarlo actualmente usted es capaz de ver la tormenta perfecta streaming en amazon prime video hbo max por lo tanto es posible alquilar la tormenta perfecta en apple tv amazon video microsoft store como descarga online y para comprarlo en apple tv amazon video microsoft

the perfect storm 2000 imdb - Sep 04 2023

web jun 30 2000 the perfect storm 2000 pg 13 2h 10m imdb rating 6 5 10 175k your rating rate popularity 4 357 87 play trailer 1 29 1 video 99 photos action adventure drama an unusually intense storm pattern catches some commercial fishermen unaware and puts them in mortal danger director wolfgang petersen writers sebastian junger

la tormenta perfecta película ver online en español justwatch - Dec 27 2022

web gloucester massachusetts octubre de 1991 el andrea gail es un barco de pesca capitaneado por billy tyne un veterano pescador cuyas últimas salidas se han saldado con paupérrimas capturas

la tormenta perfecta apple tv es - Sep 23 2022

web información la tormenta perfecta drama tyne está convencido de que puede cambiar su racha de mala suerte yendomás allá de donde normalmente llegan los barcos pesqueros de nueva inglaterra hasta el flemish cap una zona remota famosa por

sus posibilidades de pesca una vez en el mar se entera de que se está formando una tormenta en tierra

la tormenta perfecta 2000 filmaffinity - Jul 02 2023

web la tormenta perfecta es una película dirigida por wolfgang petersen con george clooney mark wahlberg diane lane john c reilly año 2000 título original the perfect storm sinopsis gloucester massachussetts octubre de 1991

crítica de la película la tormenta perfecta sensacine com - Aug 23 2022

web encuentra las 2 reseñas y opiniones para la película la tormenta perfecta dirigido por wolfgang petersen con george clooney mark wahlberg diane lane

la tormenta perfecta 2000 película ecartelera - Jan 28 2023

web toda la información sobre la tormenta perfecta 2000 tráiler cartelera en cines sinopsis imágenes reparto críticas curiosidades de la tormenta perfecta gloucester massachussets

la tormenta perfecta resumen personajes y autor estudiando - Jul 22 2022

web jan 2 2023 se trata de la tormenta perfecta de 1991 frente a nueva inglaterra una combinación de una tormenta del noreste y un huracán que hundió el pequeño barco pesquero andrea gail y toda su tripulación sin embargo ni el libro ni la adaptación cinematográfica posterior son completamente fieles a la historia

críticas de la tormenta perfecta 2000 filmaffinity - Nov 25 2022

web the perfect storm 2000 wolfgang petersen george clooney mark wahlberg diane lane john c reilly 5 6 57 695 aventuras drama gloucester massachussetts octubre de 1991 el andrea gail es un barco de pesca capitaneado por billy tyne george clooney un veterano pescador cuyas últimas salidas se han saldado con paupérrimas capturas

la tormenta perfecta película 2000 sensacine com - Apr 30 2023

web la tormenta perfecta es una película dirigida por wolfgang petersen con george clooney mark wahlberg sinopsis gloucester fue durante casi cuatro siglos el primer puerto de américa

8 curiosidades que no sabías de la tormenta perfecta - May 20 2022

web sep 22 2023 cine 8 curiosidades que no sabías de la tormenta perfecta bemad es 22 09 2023 16 00h lo que no sabías de la tormenta perfecta se trata de una historia basada en hechos reales se hizo con 4 premios oscar y 28 nominaciones ninguno de los peces que aparecen en la película son reales

[la tormenta perfecta free download borrow and streaming](#) - Oct 25 2022

web sep 14 2022 la tormenta perfecta topics peli addeddate 2022 09 14 19 30 11 identifier la tormenta perfecta scanner internet archive html5 uploader 1 7 0 plus circle add review comment reviews there are no reviews yet be the first one to write a

perfect storm wikipedia - Jun 01 2023

web a perfect storm is a meteorological event aggravated by a rare combination of circumstances 1 the term is used by analogy to an unusually severe storm that results from a rare combination of meteorological phenomena origin

la tormenta perfecta wikipedia la enciclopedia libre - Oct 05 2023

web la tormenta perfecta en inglés the perfect storm es una película de 2000 adaptación del libro homónimo de sebastian junger el film fue dirigido por wolfgang petersen y protagonizado por george clooney mark wahlberg william fichtner john c reilly diane lane karen allen y mary elizabeth mastrantonio 1

bunbury la tormenta perfecta audio oficial youtube - Feb 14 2022

web may 25 2023 an gep music mix audio oficial de la canción de bunbury la tormenta perfecta suscríbete al canal youtube com user bunbury sigue a bunbury en rrss

ver la tormenta perfecta 2000 online cuevana 3 - Apr 18 2022

web jun 30 2000 la tormenta perfecta 2000 the perfect storm sinopsis gloucester massachussetts octubre de 1991 el andrea gail es un barco de pesca capitaneado por billy tyne george clooney un veterano pescador cuyas últimas salidas se han saldado con paupérrimas capturas

job application letter for the post of accountant hr cabin - Sep 08 2023

web job application letter for the post of accountant by rajesh if you are looking for an accountant job a good job application along with your resume will be helpful to you your job application should be a short summary of your actual resume which mainly focuses on your accounting skills and experience

how to write an account assistant cover letter with example - Feb 01 2023

web jun 24 2022 1 insert a header the first step in writing a cover letter is inserting a header with your first and last name phone number and professional email address under your contact information write the date under the date add the recipient s contact information which includes the recipient s name job title and company address

job application email 6 examples and template flowrite - Apr 22 2022

web you ll get a simple job application email sample some application follow up emails and even how to withdraw an application if needed use these job application email examples to start your job search but edit and update them to suit your specific circumstances

41 job application letter examples pdf doc template net - Jul 26 2022

web this letter template is perfect for any vacant position in a company or organization you want to work in all you would have to do is download the template add your details and you are good to go sample application letter for job vacancy

job application letter for accountant examples - Jun 05 2023

web job application letter for accountant 6 job application letter examples for accountant 1 job application letter for

accountant 2 junior accountant job application letter 3 accountant assistant job application letter 4 job application letter for accountant post 5 sample job application letter for accountant 6

[sample application letters for any position with without](#) - Feb 18 2022

web sample application letter for any position without experience sample application letter for any position with experience simple application letter for any vacant position sample email for any available job vacancy how to write an application letter without any specific position

simple application letter sample for any vacant position 2021 - Jul 06 2023

web nov 23 2020 writing a perfect job application looks easy but it is a crucial step to initiate your first job application process in this article i am going to tell you to show you some amazing job application letter samples that will help you to land a perfect job simple application letter sample for any vacant position

how to write a job application email naukrigulf com - Dec 31 2022

web sep 10 2019 here are some quick tips on how to write an email asking for a job vacancy 1 salutation job title contact details it is always advised that you should mention the name of the recipient to give it a personal touch 2 don t create a replica of your cv remember you are not creating a copy of your cv

accountant cover letter sample tips free download - May 04 2023

web oct 5 2022 accountant cover letter template text format pay attention to the formatting used on your cover letter to guarantee it s both readable and professional text format today s date hiring manager s name 123 company address company s city state zip code xxx xxx xxxx hiring manager gmail com dear mr ms mx hiring

job application letter examples 45 in word examples - Oct 29 2022

web through the help of a job application letter you may present the connection of your previous work assignments to the requirements of the new job position that you are applying for you may also check out appointment letter examples samples *check 09 simple application letter sample for any vacant position* - Sep 27 2022

web here s a simple application letter sample that you can use as a guide we ll provide a simple application letter sample for you to use as a guide we ll also give some tips on how to write your cover letter stand out from the rest

application letter examples 70 samples in editable pdf - Jun 24 2022

web how to write an application letter an application letter is an important tool that you often add along with your resume the letter explains the reason for sending the resume to a hiring company or business to wow your future employers here are steps to writing an application letter

accountant accounting finance cover letter examples - Mar 02 2023

web mar 23 2022 browse 1 250 cover letter examples for any profession find inspiration for your application letter use our

professional templates and score your dream job

application letter 14 examples format sample - May 24 2022

web through the submitted application letter the employer can easily determine if the applicant is qualified for the vacant position in the company application letters examples templates elements of an application letter

how to write an application letter with template and example - Nov 29 2022

web jul 31 2023 a well written application letter can inspire hiring managers to call you for an interview propelling you forward in the application process in this article we share the steps for writing an application letter along with a template and an example for you to use when writing your own

accountant cover letter example and template for 2023 indeed - Oct 09 2023

web mar 14 2023 in this article we discuss what to feature in your accountant cover letter provide tips for developing one and offer an example for reference additionally you can upload a resume file or build an indeed resume to make sure your application is complete so you can submit it with confidence

how to write a letter of application example tips resume - Mar 22 2022

web sep 7 2023 download free example letter of application template text version an effective letter of application expands on the skills achievements and professional experiences you want to highlight explains your personal interest in applying to the position describes what you can offer the company

application letter example for any job vacant position my cv - Aug 27 2022

web jul 20 2021 job application letter example for an experienced job candidate writing an application letter for a job may not be an easy thing to do especially when you are writing one for the first time looking at an application letter example will help write your own without much stress

21 job application letter templates for accountant word pdf - Aug 07 2023

web get that accounting position with a free download of our job application letter for accountant describe your skills and qualities easily with a doc example each sample comes in any format including pdf word and google docs

how to write an accountant cover letter with examples - Apr 03 2023

web aug 5 2022 indeed editorial team updated 5 august 2022 a job application for an accounting position is more likely to be successful if it s accompanied by a well written cover letter this is because a cover letter is meant to persuade the reader that you re the ideal candidate whereas your cv just provides information

the dinosaur s diary young puffin story books english edition - Sep 21 2022

web the dinosaur s diary young puffin story books english edition ebook donaldson julia amazon nl kindle store

by julia donaldson the dinosaur s diary young puffin story - Mar 28 2023

web the dinosaur s diary julia donaldson 1 483 paperback 1 offer from 7 09 product details asin b00i628a9w best sellers rank 2 515 208 in books see top 100 in books about the author follow authors to get new release updates plus improved recommendations julia donaldson

the dinosaur s diary young puffin story books donaldson - Oct 03 2023

web the dinosaur s diary young puffin story books donaldson julia amazon com tr

the dinosaur s diary young puffin story books amazon com - Sep 02 2023

web jun 28 2007 all fans of julia donaldson s should read the enchanting tale of the dinosaur s diary surviving and finding a safe place to lay her eggs is difficult for hypsilophodon with dinosaurs like tyrannosaurus rex around when she falls into a mysterious pool and finds herself on a modern farm there are still problems

the dinosaur s diary young puffin story books ebook amazon in - Feb 12 2022

web the dinosaur s diary young puffin story books ebook donaldson julia amazon in kindle store

the dinosaur s diary young puffin story books 2022 - Mar 16 2022

web the dinosaur s diary young puffin story books omb no 3612735402079 edited by guadalupe issac the long lost secret diary of the world s worst knight the the dinosaur s diary young puffin story books 3 3 fingers of st stephen roderick is determined to prove his honour and graduate from zero to hero get real fact boxes

dinosaurs diary donaldson julia 0783324954234 - Aug 01 2023

web apr 30 2002 all fans of julia donaldson s should read the enchanting tale of the dinosaur s diary surviving and finding a safe place to lay her eggs is difficult for hypsilophodon with dinosaurs like tyrannosaurus rex around when she falls into a mysterious pool and finds herself on a modern farm there are still problems

the dinosaur s diary young puffin story books amazon de - Jan 26 2023

web the dinosaur s diary surviving and finding a safe place to lay her eggs is difficult for hypsilophodon with dinosaurs like tyrannosaurus rex around when she falls into a mysterious pool and finds herself on a modern farm there are still problems

the dinosaur s diary young puffin story books price - Jun 18 2022

web the dinosaur s diary young puffin story books lowest prices on pricerunner compare prices from 3 stores

the dinosaur s diary young puffin story books kindle edition - Apr 28 2023

web paperback 6 65 22 used from 0 25 17 new from 5 77 all fans of julia donaldson s should read the enchanting tale of the dinosaur s diary surviving and finding a safe place to lay her eggs is difficult for hypsilophodon with dinosaurs like tyrannosaurus rex around

the dinosaur s diary young puffin story books kindle edition - Feb 24 2023

web paperback 333 00 5 new from 299 00 all fans of julia donaldson s should read the enchanting tale of the dinosaur s diary

surviving and finding a safe place to lay her eggs is difficult for hypsilophodon with dinosaurs like tyrannosaurus rex around
[the dinosaur s diary donaldson julia amazon es libros](#) - Apr 16 2022

web all fans of julia donaldson s should read the enchanting tale of the dinosaur s diary surviving and finding a safe place to lay her eggs is difficult for hypsilophodon with dinosaurs like tyrannosaurus rex around when she falls into a mysterious pool and finds herself on a modern farm there are still problems

[the dinosaur s diary young puffin story books kindle edition](#) - Dec 25 2022

web the dinosaur s diary young puffin story books ebook donaldson julia amazon com au books

dinosaurs diary young puffin story books bookscouter - Oct 23 2022

web dinosaurs diary young puffin story books 10 isbn 10 014131382x isbn 13 9780141313825 author s donaldson julia edition uk ed released apr 30 2002 publisher puffin format paperback 128 pages related isbn 9780754078357 details reviews

find in library description all fans of julia donaldson s should read the

[the dinosaur s diary young puffin story books english edition](#) - Nov 23 2022

web all fans of julia donaldson s should read the enchanting tale of the dinosaur s diary surviving and finding a safe place to lay her eggs is difficult for hypsilophodon with dinosaurs like tyrannosaurus rex around when she falls into a mysterious pool and finds herself on a modern farm there are still problems

[the dinosaur s diary young puffin story books softcover](#) - Aug 21 2022

web the dinosaur s diary young puffin story books von donaldson julia bei abebooks de isbn 10 014131382x isbn 13 9780141313825 puffin 2002 softcover

[the dinosaurs diary young puffin story books 9780141313825](#) - Jul 20 2022

web the dinosaurs diary young puffin story books 9780141313825 fiction literature all fans of julia donaldson s should read the enchanting tale of the dinosaur s diary surviving and finding a safe place to lay her eggs is difficult

[the dinosaur s diary young puffin story books julia](#) - May 18 2022

web the dinosaur s diary young puffin story books finden sie alle bücher von julia donaldson bei der büchersuchmaschine eurobuch de können sie antiquarische und neubücher vergleichen und sofort zum bestpreis bestellen

the dinosaur s diary penguin books uk - Jun 30 2023

web brought to you by puffin all fans of julia donaldson s should read the enchanting tale of the dinosaur s diary surviving and finding a safe place to lay her eggs is difficult for hypsilophodon with dinosaurs like tyrannosaurus rex around when she falls into a mysterious pool and finds herself on a modern farm there are still problems

the dinosaur s diary paperback illustrated 28 mar 2002 - May 30 2023

web all fans of julia donaldson s should read the enchanting tale of the dinosaur s diary surviving and finding a safe place to

lay her eggs is difficult for hypsilophodon with dinosaurs like tyrannosaurus rex around when she falls into a mysterious pool and finds herself on a modern farm there are still problems