

FIG.28

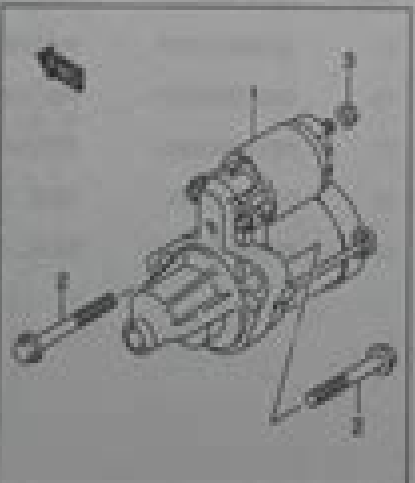
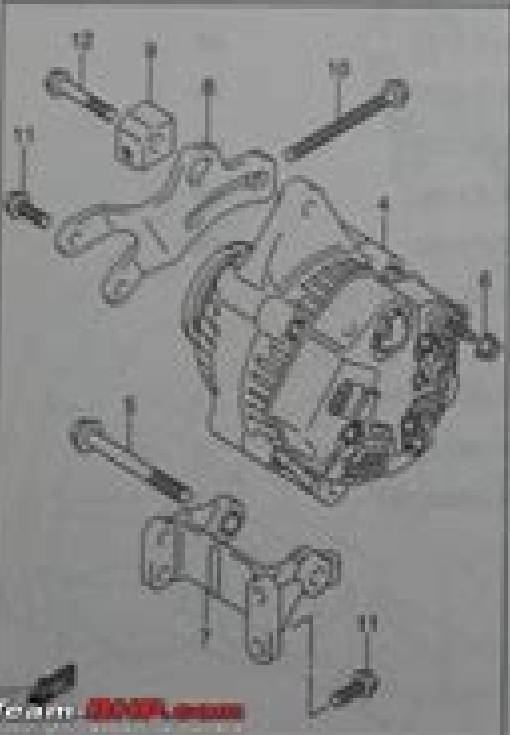
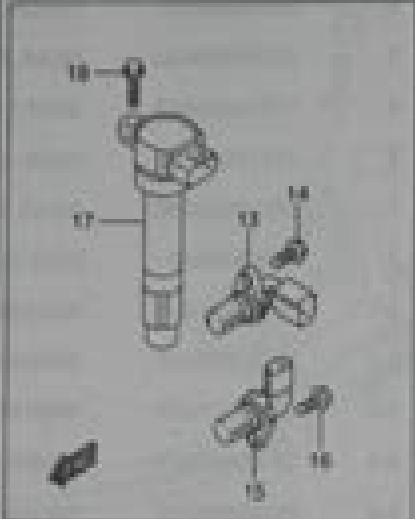


FIG. 28

ENGINE ELECTRICAL

REF. NO.	PART NO.	DESCRIPTION	QTY
1	31100M68K00	MOTOR ASSY, STARTING	1
2	01550-1080A	BOLT	2
3	08316-1008A	NUT	1
4	31400M68K00	GENERATOR ASSY	1
5	01550-1085A	BOLT	1
6	08316-1006A	NUT	1
7	11550M68K00	BRACKET, GENERATOR	1
8	11501M51K00	ARM, GENERATOR BELT ADJUSTER	1
9	11582M77A01	ADJUSTER, GENERATOR BELT	1
10	11563-77A01	BOLT, GENERATOR ADJUSTING	1
11	01550-0823A	BOLT	4
12	01550-0850A	BOLT	1
13	33220-58J00	SENSOR ASSY, CMP	1
14	09103-08293	BOLT (8X18)	1
15	33220-51K00	SENSOR ASSY, CMP	1
16	01550-0816A	BOLT	1
17	33400M68K10	COIL ASSY, IGNITION	3
18	09135-08024	BOLT (8X22)	3
19	33920M68KA0	CONTROLLER ASSY, FUEL INJECTION	1
20	09158-08076	NUT	2
21	33924M68K00	BRACKET, FUEL INJECTION CONTROLLER	1
22	09158-08076	NUT	2

Of Maruti Omni Service Manual

Ying Liu



Of Maruti Omni Service Manual:

Recognizing the showing off ways to acquire this books **Of Maruti Omni Service Manual** is additionally useful. You have remained in right site to begin getting this info. get the Of Maruti Omni Service Manual connect that we provide here and check out the link.

You could buy guide Of Maruti Omni Service Manual or acquire it as soon as feasible. You could speedily download this Of Maruti Omni Service Manual after getting deal. So, following you require the book swiftly, you can straight acquire it. Its fittingly entirely easy and hence fats, isnt it? You have to favor to in this proclaim

<https://crm.avenza.com/About/detail/index.jsp/Rain%20Forest%20Colors%20National%20Geographic%20Kids.pdf>

Table of Contents Of Maruti Omni Service Manual

1. Understanding the eBook Of Maruti Omni Service Manual
 - The Rise of Digital Reading Of Maruti Omni Service Manual
 - Advantages of eBooks Over Traditional Books
2. Identifying Of Maruti Omni Service Manual
 - Exploring Different Genres
 - Considering Fiction vs. Non-Fiction
 - Determining Your Reading Goals
3. Choosing the Right eBook Platform
 - Popular eBook Platforms
 - Features to Look for in an Of Maruti Omni Service Manual
 - User-Friendly Interface
4. Exploring eBook Recommendations from Of Maruti Omni Service Manual
 - Personalized Recommendations
 - Of Maruti Omni Service Manual User Reviews and Ratings
 - Of Maruti Omni Service Manual and Bestseller Lists
5. Accessing Of Maruti Omni Service Manual Free and Paid eBooks

- Of Maruti Omni Service Manual Public Domain eBooks
 - Of Maruti Omni Service Manual eBook Subscription Services
 - Of Maruti Omni Service Manual Budget-Friendly Options
6. Navigating Of Maruti Omni Service Manual eBook Formats
 - ePub, PDF, MOBI, and More
 - Of Maruti Omni Service Manual Compatibility with Devices
 - Of Maruti Omni Service Manual Enhanced eBook Features
 7. Enhancing Your Reading Experience
 - Adjustable Fonts and Text Sizes of Of Maruti Omni Service Manual
 - Highlighting and Note-Taking Of Maruti Omni Service Manual
 - Interactive Elements Of Maruti Omni Service Manual
 8. Staying Engaged with Of Maruti Omni Service Manual
 - Joining Online Reading Communities
 - Participating in Virtual Book Clubs
 - Following Authors and Publishers Of Maruti Omni Service Manual
 9. Balancing eBooks and Physical Books Of Maruti Omni Service Manual
 - Benefits of a Digital Library
 - Creating a Diverse Reading Collection Of Maruti Omni Service Manual
 10. Overcoming Reading Challenges
 - Dealing with Digital Eye Strain
 - Minimizing Distractions
 - Managing Screen Time
 11. Cultivating a Reading Routine Of Maruti Omni Service Manual
 - Setting Reading Goals Of Maruti Omni Service Manual
 - Carving Out Dedicated Reading Time
 12. Sourcing Reliable Information of Of Maruti Omni Service Manual
 - Fact-Checking eBook Content of Of Maruti Omni Service Manual
 - Distinguishing Credible Sources
 13. Promoting Lifelong Learning
 - Utilizing eBooks for Skill Development

- Exploring Educational eBooks

14. Embracing eBook Trends

- Integration of Multimedia Elements
- Interactive and Gamified eBooks

Of Maruti Omni Service Manual Introduction

In this digital age, the convenience of accessing information at our fingertips has become a necessity. Whether its research papers, eBooks, or user manuals, PDF files have become the preferred format for sharing and reading documents. However, the cost associated with purchasing PDF files can sometimes be a barrier for many individuals and organizations. Thankfully, there are numerous websites and platforms that allow users to download free PDF files legally. In this article, we will explore some of the best platforms to download free PDFs. One of the most popular platforms to download free PDF files is Project Gutenberg. This online library offers over 60,000 free eBooks that are in the public domain. From classic literature to historical documents, Project Gutenberg provides a wide range of PDF files that can be downloaded and enjoyed on various devices. The website is user-friendly and allows users to search for specific titles or browse through different categories. Another reliable platform for downloading Of Maruti Omni Service Manual free PDF files is Open Library. With its vast collection of over 1 million eBooks, Open Library has something for every reader. The website offers a seamless experience by providing options to borrow or download PDF files. Users simply need to create a free account to access this treasure trove of knowledge. Open Library also allows users to contribute by uploading and sharing their own PDF files, making it a collaborative platform for book enthusiasts. For those interested in academic resources, there are websites dedicated to providing free PDFs of research papers and scientific articles. One such website is Academia.edu, which allows researchers and scholars to share their work with a global audience. Users can download PDF files of research papers, theses, and dissertations covering a wide range of subjects. Academia.edu also provides a platform for discussions and networking within the academic community. When it comes to downloading Of Maruti Omni Service Manual free PDF files of magazines, brochures, and catalogs, Issuu is a popular choice. This digital publishing platform hosts a vast collection of publications from around the world. Users can search for specific titles or explore various categories and genres. Issuu offers a seamless reading experience with its user-friendly interface and allows users to download PDF files for offline reading. Apart from dedicated platforms, search engines also play a crucial role in finding free PDF files. Google, for instance, has an advanced search feature that allows users to filter results by file type. By specifying the file type as "PDF," users can find websites that offer free PDF downloads on a specific topic. While downloading Of Maruti Omni Service Manual free PDF files is convenient, its important to note that copyright laws must be respected. Always ensure that the PDF files you download are legally

available for free. Many authors and publishers voluntarily provide free PDF versions of their work, but its essential to be cautious and verify the authenticity of the source before downloading Of Maruti Omni Service Manual. In conclusion, the internet offers numerous platforms and websites that allow users to download free PDF files legally. Whether its classic literature, research papers, or magazines, there is something for everyone. The platforms mentioned in this article, such as Project Gutenberg, Open Library, Academia.edu, and Issuu, provide access to a vast collection of PDF files. However, users should always be cautious and verify the legality of the source before downloading Of Maruti Omni Service Manual any PDF files. With these platforms, the world of PDF downloads is just a click away.

FAQs About Of Maruti Omni Service Manual Books

1. Where can I buy Of Maruti Omni Service Manual books? Bookstores: Physical bookstores like Barnes & Noble, Waterstones, and independent local stores. Online Retailers: Amazon, Book Depository, and various online bookstores offer a wide range of books in physical and digital formats.
2. What are the different book formats available? Hardcover: Sturdy and durable, usually more expensive. Paperback: Cheaper, lighter, and more portable than hardcovers. E-books: Digital books available for e-readers like Kindle or software like Apple Books, Kindle, and Google Play Books.
3. How do I choose a Of Maruti Omni Service Manual book to read? Genres: Consider the genre you enjoy (fiction, non-fiction, mystery, sci-fi, etc.). Recommendations: Ask friends, join book clubs, or explore online reviews and recommendations. Author: If you like a particular author, you might enjoy more of their work.
4. How do I take care of Of Maruti Omni Service Manual books? Storage: Keep them away from direct sunlight and in a dry environment. Handling: Avoid folding pages, use bookmarks, and handle them with clean hands. Cleaning: Gently dust the covers and pages occasionally.
5. Can I borrow books without buying them? Public Libraries: Local libraries offer a wide range of books for borrowing. Book Swaps: Community book exchanges or online platforms where people exchange books.
6. How can I track my reading progress or manage my book collection? Book Tracking Apps: Goodreads, LibraryThing, and Book Catalogue are popular apps for tracking your reading progress and managing book collections. Spreadsheets: You can create your own spreadsheet to track books read, ratings, and other details.
7. What are Of Maruti Omni Service Manual audiobooks, and where can I find them? Audiobooks: Audio recordings of books, perfect for listening while commuting or multitasking. Platforms: Audible, LibriVox, and Google Play Books offer

- a wide selection of audiobooks.
8. How do I support authors or the book industry? Buy Books: Purchase books from authors or independent bookstores. Reviews: Leave reviews on platforms like Goodreads or Amazon. Promotion: Share your favorite books on social media or recommend them to friends.
 9. Are there book clubs or reading communities I can join? Local Clubs: Check for local book clubs in libraries or community centers. Online Communities: Platforms like Goodreads have virtual book clubs and discussion groups.
 10. Can I read Of Maruti Omni Service Manual books for free? Public Domain Books: Many classic books are available for free as they're in the public domain. Free E-books: Some websites offer free e-books legally, like Project Gutenberg or Open Library.

Find Of Maruti Omni Service Manual :

rain forest colors national geographic kids

radiosat renault manual

railway group d old question paper

racism in the hole book e publicationsmarquette

r718 pressure enthalpy diagram

radio shack pro 50 scanner user manual

radio shack repair center

r04 mock papers

r12 apps dba field guide

radio wiring diagram 2010 gti

rainbow vacuum manual

radiator design manual

race against death quiz answer key scholastic

radio mini cd 53 manual

rado 663 0694 3 015 watches owners manual

Of Maruti Omni Service Manual :

Science Chapter 16 Section 1: Primates Flashcards Study with Quizlet and memorize flashcards containing terms like

Primate, Binocular Vision, Opposable First Digit and more. Chapter 16 Section 1 Primates Flashcards Study with Quizlet and memorize flashcards containing terms like What belongs to the group of mammals, primates?, What is manual dexterity?, Is a primate's ... Study Guide CHAPTER 15. Study Guide. Section 1: Darwin's Theory of Evolution by. Natural Selection. In your textbook, read about developing the theory of natural selection ... Chapter 16: Primate Evolution Intrapersonal Have students find the scientific name of a primate they have seen and then write answers to the following questions: Where did you first see the ... Chapter 16 Study Guide Describe how Old World monkeys might have arrived in the New World. Study Guide, Section 1: Primates continued. Page 3. Gorilla. Australopithecine. Study Guide. Glencoe Biology All primates except humans walk on all four limbs. Primates. Section 1. Complex Brain and Behaviors. Have large brains in relation to their body size. Primate ... Chapter 16 Section1 Applied Questions.docx Chapter 16- PRIMATE EVOLUTION Intro to chapter Questions: 1.(p.451) Howler ... Why do primates need to learn social behaviors?/1 3. List some of the social ... Primate Evolution Section 1 - Hominoids to Hominins Chapter Primate Evolution Chapter Assessment Questions Answer: The foramen magnum is the hole in the skull where the spine extends from the brain. It is in ... Chapter 16 Primate Evolution 1. When hominids moved from living primarily in treetops to living on the ground, they became _____. Need a Hint? ; 1. When hominids moved from living primarily ... Chapter 15 and 16 Study Guide Answers Chapter 15 and 16 Study Guide Answers. Section 15-1. VOCABULARY REVIEW. 1. Evolution is the development of new types of. organisms from preexisting types of ... Answer to Cornerstones of Managerial Accounting 5t Answer Key to Mowen, Cornerstone Manegerial Accounting full file at basic managerial accounting concepts discussion questions cost is the amount of cash or. Cornerstones Of Managerial Accounting (... 5th Edition ... Get your students where they need to be with CORNERSTONES OF MANAGERIAL ACCOUNTING. Cornerstones delivers a truly unique learning system that is integrated ... Cornerstones Of Managerial Accounting Solution Manual 1168 solutions available. Textbook Solutions for Cornerstones of Managerial Accounting. by. 5th Edition. Author: Dan L Heitger, Maryanne M Mowen. 1078 solutions ... Cornerstones of Managerial Accounting 5th Edition Mowen ... Cornerstones of Managerial Accounting 5th Edition Mowen Solutions Manual | PDF | Cost | Cost Of Goods Sold. Cornerstones of Managerial Accounting - 5th Edition Find step-by-step solutions and answers to Cornerstones of Managerial Accounting - 9781133943983, as well as thousands of textbooks so you can move forward ... Solution Manual Cornerstones of Managerial Accounting ... 1. Introduction to Managerial Accounting. 2. Basic Managerial Accounting Concepts. 3. Cost Behavior. 4. Cost-Volume-Profit Analysis: A ... Textbook Solutions Manual for Cornerstones of Managerial ... Test Bank for Cornerstones of Managerial Accounting 5th ... View Test prep - Test Bank for Cornerstones of Managerial Accounting 5th Edition Mowen, Hansen, Heitger.doc from APC 27 at University of California, Davis. Solutions Manual for Managerial Accounting 5th Edition by ... Aug 4, 2018 — Solutions Manual for Managerial Accounting 5th Edition by Wild - Download as a PDF or view online for free. Cornerstones of Managerial Accounting ... Publisher, Cengage Learning; 5th edition (January 1, 2013) ; Hardcover, 800

pages ; Item Weight, 4.05 pounds ; Dimensions, 9 x 1.25 x 10.75 inches. Strengthening Your Stepfamily (Rebuilding Books) Einstein provides an excellent roadmap for navigating through complex areas of remarriage, children, unresolved emotions, unrealistic expectations, communication ... Strengthening Your Stepfamily (Rebuilding ... Strengthening Your Stepfamily (Rebuilding Books) by Einstein, Elizabeth; Albert, Linda - ISBN 10: 1886230625 - ISBN 13: 9781886230620 - Impact Pub - 2005 ... Strengthening Your Stepfamily by Elizabeth Einstein Book overview This book, by one of America's leading experts, is a wonderful "trail map" for building a successful stepfamily. Strengthening Your Stepfamily... book by Elizabeth Einstein Buy a cheap copy of Strengthening Your Stepfamily... book by Elizabeth Einstein ... Family Relationships Home Repair How-to & Home Improvements Interpersonal ... Strengthening Your Stepfamily - Elizabeth Einstein, LMFT This book, by one of America's leading experts, is a wonderful "trail map" for building a successful stepfamily. you'll find help here for nearly any ... Books by Elizabeth Einstein (Author of Strengthening Your ... Elizabeth Einstein has 6 books on Goodreads with 45 ratings. Elizabeth Einstein's most popular book is Strengthening Your Stepfamily (Rebuilding Books). Strengthening Your Stepfamily Rebuilding Books , Pre-Owned ... Strengthening Your Stepfamily Rebuilding Books , Pre-Owned Paperback 1886230625 9781886230620 Elizabeth Einstein, Linda Albert. USDNow \$6.78. You save \$2.54. STRENGTHENING YOUR STEPFAMILY (REBUILDING ... STRENGTHENING YOUR STEPFAMILY (REBUILDING BOOKS) By Elizabeth Einstein & Linda ; Item Number. 335023747069 ; ISBN-10. 1886230625 ; Publication Name. Impact Pub ... Strengthening Your Stepfamily (Rebuilding Books: Relationships ... Strengthening Your Stepfamily (Rebuilding Books: Relationships-Divorce-An - GOOD ; Shop with confidence · Top-rated Plus. Trusted seller, fast shipping, and easy ... Strengthening your stepfamily rebuilding books .pdf Strengthening Your Stepfamily Strengthening Your Stepfamily Rebuilding Rebuilding Workbook The Smart Stepfamily Time for a Better Marriage Getting.