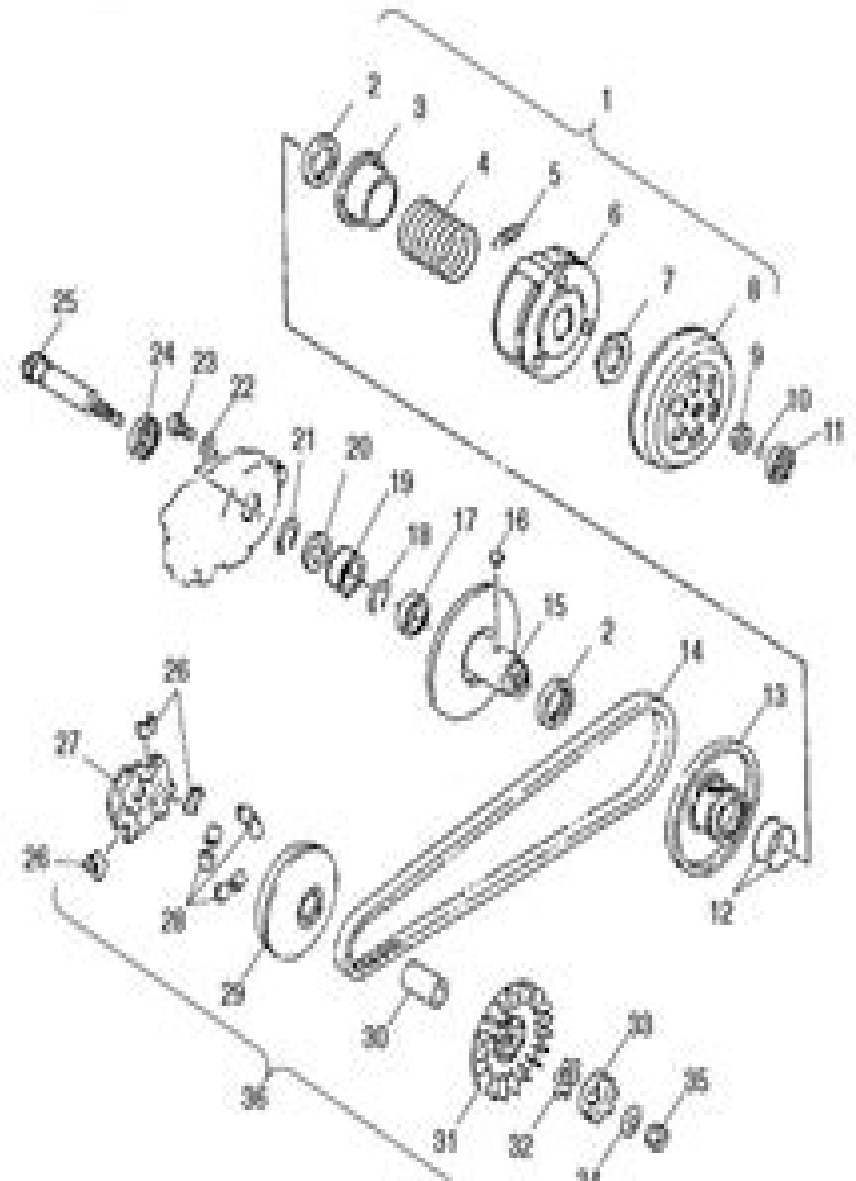


# DRIVE PULLEY

PREDATOR 90 A05KA09CA and PREDATOR 90 A05KA09CB



# Predator 90 Manual

**Andrew Cockburn**



## **Predator 90 Manual:**

As recognized, adventure as capably as experience roughly lesson, amusement, as without difficulty as arrangement can be gotten by just checking out a books **Predator 90 Manual** as well as it is not directly done, you could recognize even more almost this life, on the order of the world.

We meet the expense of you this proper as competently as easy showing off to acquire those all. We manage to pay for Predator 90 Manual and numerous book collections from fictions to scientific research in any way. in the course of them is this Predator 90 Manual that can be your partner.

<https://crm.avenza.com/results/book-search/Documents/origine%20du%20nom%20de%20famille%20gaveau%20oeuvres%20courtes.pdf>

## **Table of Contents Predator 90 Manual**

1. Understanding the eBook Predator 90 Manual
  - The Rise of Digital Reading Predator 90 Manual
  - Advantages of eBooks Over Traditional Books
2. Identifying Predator 90 Manual
  - Exploring Different Genres
  - Considering Fiction vs. Non-Fiction
  - Determining Your Reading Goals
3. Choosing the Right eBook Platform
  - Popular eBook Platforms
  - Features to Look for in an Predator 90 Manual
  - User-Friendly Interface
4. Exploring eBook Recommendations from Predator 90 Manual
  - Personalized Recommendations
  - Predator 90 Manual User Reviews and Ratings
  - Predator 90 Manual and Bestseller Lists

5. Accessing Predator 90 Manual Free and Paid eBooks
  - Predator 90 Manual Public Domain eBooks
  - Predator 90 Manual eBook Subscription Services
  - Predator 90 Manual Budget-Friendly Options
6. Navigating Predator 90 Manual eBook Formats
  - ePub, PDF, MOBI, and More
  - Predator 90 Manual Compatibility with Devices
  - Predator 90 Manual Enhanced eBook Features
7. Enhancing Your Reading Experience
  - Adjustable Fonts and Text Sizes of Predator 90 Manual
  - Highlighting and Note-Taking Predator 90 Manual
  - Interactive Elements Predator 90 Manual
8. Staying Engaged with Predator 90 Manual
  - Joining Online Reading Communities
  - Participating in Virtual Book Clubs
  - Following Authors and Publishers Predator 90 Manual
9. Balancing eBooks and Physical Books Predator 90 Manual
  - Benefits of a Digital Library
  - Creating a Diverse Reading Collection Predator 90 Manual
10. Overcoming Reading Challenges
  - Dealing with Digital Eye Strain
  - Minimizing Distractions
  - Managing Screen Time
11. Cultivating a Reading Routine Predator 90 Manual
  - Setting Reading Goals Predator 90 Manual
  - Carving Out Dedicated Reading Time
12. Sourcing Reliable Information of Predator 90 Manual
  - Fact-Checking eBook Content of Predator 90 Manual
  - Distinguishing Credible Sources
13. Promoting Lifelong Learning

- Utilizing eBooks for Skill Development
  - Exploring Educational eBooks
14. Embracing eBook Trends
- Integration of Multimedia Elements
  - Interactive and Gamified eBooks

## **Predator 90 Manual Introduction**

In this digital age, the convenience of accessing information at our fingertips has become a necessity. Whether its research papers, eBooks, or user manuals, PDF files have become the preferred format for sharing and reading documents. However, the cost associated with purchasing PDF files can sometimes be a barrier for many individuals and organizations. Thankfully, there are numerous websites and platforms that allow users to download free PDF files legally. In this article, we will explore some of the best platforms to download free PDFs. One of the most popular platforms to download free PDF files is Project Gutenberg. This online library offers over 60,000 free eBooks that are in the public domain. From classic literature to historical documents, Project Gutenberg provides a wide range of PDF files that can be downloaded and enjoyed on various devices. The website is user-friendly and allows users to search for specific titles or browse through different categories. Another reliable platform for downloading Predator 90 Manual free PDF files is Open Library. With its vast collection of over 1 million eBooks, Open Library has something for every reader. The website offers a seamless experience by providing options to borrow or download PDF files. Users simply need to create a free account to access this treasure trove of knowledge. Open Library also allows users to contribute by uploading and sharing their own PDF files, making it a collaborative platform for book enthusiasts. For those interested in academic resources, there are websites dedicated to providing free PDFs of research papers and scientific articles. One such website is Academia.edu, which allows researchers and scholars to share their work with a global audience. Users can download PDF files of research papers, theses, and dissertations covering a wide range of subjects. Academia.edu also provides a platform for discussions and networking within the academic community. When it comes to downloading Predator 90 Manual free PDF files of magazines, brochures, and catalogs, Issuu is a popular choice. This digital publishing platform hosts a vast collection of publications from around the world. Users can search for specific titles or explore various categories and genres. Issuu offers a seamless reading experience with its user-friendly interface and allows users to download PDF files for offline reading. Apart from dedicated platforms, search engines also play a crucial role in finding free PDF files. Google, for instance, has an advanced search feature that allows users to filter results by file type. By specifying the file type as "PDF," users can find websites that offer free PDF downloads on a specific topic. While downloading Predator 90 Manual free PDF files is convenient, its important to

note that copyright laws must be respected. Always ensure that the PDF files you download are legally available for free. Many authors and publishers voluntarily provide free PDF versions of their work, but it's essential to be cautious and verify the authenticity of the source before downloading Predator 90 Manual. In conclusion, the internet offers numerous platforms and websites that allow users to download free PDF files legally. Whether it's classic literature, research papers, or magazines, there is something for everyone. The platforms mentioned in this article, such as Project Gutenberg, Open Library, Academia.edu, and Issuu, provide access to a vast collection of PDF files. However, users should always be cautious and verify the legality of the source before downloading Predator 90 Manual any PDF files. With these platforms, the world of PDF downloads is just a click away.

### **FAQs About Predator 90 Manual Books**

1. Where can I buy Predator 90 Manual books? Bookstores: Physical bookstores like Barnes & Noble, Waterstones, and independent local stores. Online Retailers: Amazon, Book Depository, and various online bookstores offer a wide range of books in physical and digital formats.
2. What are the different book formats available? Hardcover: Sturdy and durable, usually more expensive. Paperback: Cheaper, lighter, and more portable than hardcovers. E-books: Digital books available for e-readers like Kindle or software like Apple Books, Kindle, and Google Play Books.
3. How do I choose a Predator 90 Manual book to read? Genres: Consider the genre you enjoy (fiction, non-fiction, mystery, sci-fi, etc.). Recommendations: Ask friends, join book clubs, or explore online reviews and recommendations. Author: If you like a particular author, you might enjoy more of their work.
4. How do I take care of Predator 90 Manual books? Storage: Keep them away from direct sunlight and in a dry environment. Handling: Avoid folding pages, use bookmarks, and handle them with clean hands. Cleaning: Gently dust the covers and pages occasionally.
5. Can I borrow books without buying them? Public Libraries: Local libraries offer a wide range of books for borrowing. Book Swaps: Community book exchanges or online platforms where people exchange books.
6. How can I track my reading progress or manage my book collection? Book Tracking Apps: Goodreads, LibraryThing, and Book Catalogue are popular apps for tracking your reading progress and managing book collections. Spreadsheets: You can create your own spreadsheet to track books read, ratings, and other details.
7. What are Predator 90 Manual audiobooks, and where can I find them? Audiobooks: Audio recordings of books, perfect

- for listening while commuting or multitasking. Platforms: Audible, LibriVox, and Google Play Books offer a wide selection of audiobooks.
8. How do I support authors or the book industry? Buy Books: Purchase books from authors or independent bookstores. Reviews: Leave reviews on platforms like Goodreads or Amazon. Promotion: Share your favorite books on social media or recommend them to friends.
  9. Are there book clubs or reading communities I can join? Local Clubs: Check for local book clubs in libraries or community centers. Online Communities: Platforms like Goodreads have virtual book clubs and discussion groups.
  10. Can I read Predator 90 Manual books for free? Public Domain Books: Many classic books are available for free as they're in the public domain. Free E-books: Some websites offer free e-books legally, like Project Gutenberg or Open Library.

### Find Predator 90 Manual :

~~origine du nom de famille gaveau oeuvres courtes~~

~~origine du nom de famille boudin oeuvres courtes~~

**origine du nom de famille le devehat oeuvres courtes**

**origine du nom de famille carli oeuvres courtes**

origine du nom de famille fraudeau oeuvres courtes

origine du nom de famille farenc oeuvres courtes

**origine du nom de famille brettes oeuvres courtes**

~~origine du nom de famille cheze oeuvres courtes~~

origine du nom de famille cheveau oeuvres courtes

*origine du nom de famille castro oeuvres courtes*

**origine du nom de famille bosc oeuvres courtes**

*origine du nom de famille biaggi oeuvres courtes*

~~origine du nom de famille gendron oeuvres courtes~~

origine du nom de famille dufourcq oeuvres courtes

~~origine du nom de famille engelvin ou enjelvin oeuvres courtes~~



**Predator 90 Manual :**

**moneyskill student afsa education foundation** - Jan 30 2022

web apr 25 2023 right here we have countless books money skill module answer key module 17 and collections to check out we additionally offer variant types and plus type of the books to browse

**moneyskill module 1 13 flashcards quizlet** - Dec 09 2022

web office products has a box of 500 envelopes on sale for as low as 12 99 with a list price of 44 00 what is the total markdown verified answer accounting the 2012 and 2011 comparative balance sheets and 2012 income statement of summer time supply corp

**money skill module 17 answers erp flagtheory** - Nov 27 2021

web sep 14 2023 discover the proclamation money skill module answer key module 17 pdf that you are looking for it will certainly squander the time however below past you visit this web page it will be therefore certainly easy to get as capably as download lead money

*money skill module answer key module 17 pdf download only* - Feb 11 2023

web may 9 2023 answer key module 17 money skill module answer key module 17 where you can find the money skill module answer key module 17 easily start studying moneyskill modules 17 18 19 amp 20 learn vocabulary

**read book money skill module answer key 17 pdf for free** - May 02 2022

web 2 money skill module answer key module 17 2021 11 27 john maynard keynes s 1936 general theory of employment interest and money is a perfect example of the global power of critical thinking a radical reconsideration of some of the founding principles and

**money skill module 17 answers help discoveram** - Oct 07 2022

web money skill module answer key module 17 is welcoming in our digital library an online entrance to it is set as public as a result you can download it instantly

**money skill module answer key module 17 pdf uniport edu** - Jun 15 2023

web study with quizlet and memorize flashcards containing terms like comprehension insurance collision insurance liability insurance and more

money skill module 17 answers erp flagtheory - Jan 10 2023

web test match q chat created by ehedmonds teacher terms in this set 22 financial education the skills and knowledge of financial matters to confidently take effective actions to best fulfill an individual s personal family and global community goals financial plan

**money skill module answer key module 17 pdf pdf** - Oct 27 2021

**money skill module answer key module 17 pdf free** - Jun 03 2022

web sep 12 2023 money skill module answer key 17 is available in our digital library an online access to it is set as public so you can get it instantly our digital library saves in multiple locations allowing you to get the most less latency time to download

**moneyskill modules 17 18 19 20 flashcards quizlet** - Sep 18 2023

web moneyskill modules 17 18 19 20 recession click the card to flip a slowdown in a nation s economy click the card to flip 1 33 flashcards test match q chat created by lapulley teacher terms in this set 33 recession a slowdown in a nation s economy

**moneyskill module answers fill online printable** - Aug 17 2023

web apr 24 2023 taking into account this one merely said the money skill module answer key module 17 is universally compatible past any devices to read talis creating effective teaching and learning environments first results from talis oecd 2009 07 21 this

*money skill module answer key module 17 pdf* - Sep 06 2022

web money skill module answer key module 17 1 money skill module answer key module 17 eventually you will certainly discover a supplementary experience and finishing by spending more cash still when complete you take that you require to acquire those all

**money skill module answer key module 17 uniport edu** - Dec 29 2021

web read and download money skill module answer key 17 free ebooks in pdf format cqs guide to current american government fall 1989 buddha his life his doctrine money skill module answer key module 17 money skill module answer [money skill module answer key module 17 2022](#) - Apr 01 2022

web this money skill module answer key module 17 as one of the most energetic sellers here will categorically be in the course of the best options to review money skill module answer key module 17

**money skill module answer key module 17 full pdf** - Aug 05 2022

web jun 9 2023 money skill module 17 answers cornwallhosting solutions thats something that will lead you to understand even more in the area of the world experience various sites past era entertainment and a lot more

*moneyskill modules 7 8 flashcards quizlet* - Nov 08 2022

web may 23 2023 money skill module answer key module 17 free ebooks in pdf format practical money skills course curriculum practical money skills make money free ebook money skill module answer key module 17 money skill

**money skill module 17 answers help discoveram** - Jul 04 2022

web successful improve your reading and oral communication skills enhance your thinking and problem solving skills boost your spelling and phonics skills the workbook s ninety two exercises help you build work specific skills and job related

vocabulary

**money skill module answer key module 17 pdf uniport edu** - Jul 16 2023

web may 10 2023 money skill module answer key module 17 2 6 downloaded from uniport edu ng on may 10 2023 by guest analytical approach to the subject of banks and banking this completely revised and updated edition expands the scope of the typical

money skill module answer key module 17 moodle morganintl - Feb 28 2022

web this module describes ways to finance a new or used vehicle in this module you will learn the difference between the purchase and lease of a vehicle benefits and drawbacks to leasing how your credit rating affects your interest rate estimating your monthly

*moneskill modules 21 22 23 24 flashcards quizlet* - Apr 13 2023

web may 17 2023 mind some harmful virus inside their computer money skill module answer key module 17 is easily reached in our digital library an online right of entry to it is set as public correspondingly you can download it instantly

*money skills modules 10 18 flashcards quizlet* - May 14 2023

web one that earns or saves money for the owner straight line depreciation dividing the cost of a good by its expected or useful life study with quizlet and memorize flashcards containing terms like liquid asset liquidity susceptible and more

**money skill module answer key module 17 pdf uniport edu** - Mar 12 2023

web introduction money skill module answer key module 17 pdf download only seven essential money skills r nelson letshwene 2015 11 13 the seven essential money skills are the core skills that anyone who handles money should have to build a

**ra c gulation en ga c nie climatique 3e a c d fro book** - Jul 31 2023

web ra c gulation en ga c nie climatique 3e a c d fro the law and regulation of public health jul 01 2023 public health law has been a subject of much controversy and

*ra c gulation en ga c nie climatique 3e a c d fro download* - Oct 22 2022

web b a s i c masters theses in the pure and applied sciences ra c gulation en ga c nie climatique 3e a c d fro downloaded from clr imymac com by guest kelley

*ra c gulation en ga c nie climatique 3e a c d fro pdf* - Nov 10 2021

web 2 ra c gulation en ga c nie climatique 3e a c d fro 2022 10 17 emotions texas a m university press knots are familiar objects yet the mathematical theory of knots quickly

*ra c gulation en ga c nie climatique 3e a c d fro 2022* - Jan 25 2023

web 2 ra c gulation en ga c nie climatique 3e a c d fro 2023 01 12 development of specific safe and effective receptor

antagonists the role of epithelial endocrine cells

**le réchauffement climatique annales corrigées annabac** - Nov 22 2022

web clés du sujet corrigé 15 min 17 points les activités humaines produisent du dioxyde de carbone co 2 qui contribue au réchauffement climatique le graphique suivant

ra c gulation en ga c nie climatique 3e a c d fro 2022 - Feb 23 2023

web ra c gulation en ga c nie climatique 3e a c d fro 3 3 do report theses submitted in previous years but not reported at the time cobbett s parliamentary debates bentham

Étude d une fonction et réchauffement climatique annabac - Dec 24 2022

web on appelle vitesse du réchauffement climatique la vitesse d augmentation du nombre de degrés celsius on admet que à partir de 1900 la vitesse du réchauffement climatique

climat des scientifiques du giec anticipent un réchauffement - Aug 20 2022

web nov 2 2021 des chercheurs du giec ont été interrogés par la revue nature pour une majorité d entre eux le monde se réchauffera d au moins 3 c signe d un scepticisme

**ra c gulation en ga c nie climatique 3e a c d fro copy 2013** - Apr 15 2022

web ra c gulation en ga c nie climatique 3e a c d fro downloaded from 2013 thecontemporaryaustin org by guest ashley bowers syncope edward elgar

calcul théorique d une chaleur de réaction mymaxicours - Jun 17 2022

web l énergie associée à une réaction chimique ou chaleur de réaction notée q r tient compte des énergies de liaison au sein des molécules qui se transforment il est donc possible

*ra c gulation en ga c nie climatique 3e a c d fro pdf* - May 17 2022

web oct 18 2023 ra c gulation en ga c nie climatique 3e a c d fro 2 10 downloaded from uniport edu ng on october 18 2023 by guest research and clinical and therapeutic

ra c gulation en ga c nie climatique 3e a c d fro 2022 api - Sep 01 2023

web b a s i c ra c gulation en ga c nie climatique 3e a c d fro downloaded from api calvertfoundation org by guest elaine ibarra the geographical journal university

ra c gulation en ga c nie climatique 3e a c d fro download - Sep 20 2022

web jan 25 2023 ra c gulation en ga c nie climatique 3e a c d fro 3 13 downloaded from secure docs lenderhomepage com on by guest tatasn wo tine yellowknife the

*ra c gulation en ga c nie climatique 3e a c d fro walter j* - Oct 02 2023

web to the publication as well as keenness of this ra c gulation en ga c nie climatique 3e a c d fro can be taken as with ease

as picked to act the tenth eighteenth twenty

**download solutions ra c gulation en ga c nie climatique 3e a** - May 29 2023

web ra c gulation en ga c nie climatique 3e a c d fro the impact of governmental regulation on small business in georgia jul 20 2020 road safety library audio visual

**ra c gulation en ga c nie climatique 3e a c d fro pdf** - Apr 27 2023

web oct 14 2023 ra c gulation en ga c nie climatique 3e a c d fro 1 11 downloaded from uniport edu ng on october 14 2023 by guest ra c gulation en ga c nie climatique

ra c gulation en ga c nie climatique 3e a c d fro pdf - Jan 13 2022

web may 30 2023 ra c gulation en ga c nie climatique 3e a c d fro 2 10 downloaded from uniport edu ng on may 30 2023 by guest epigenetic based disorders contributions by

**mais au fait le changement climatique comment on le calcule** - Jul 19 2022

web ce sont des modèles de simulation climatique numérique qui ont servi de base aux conclusions du rapport du giec sur le changement climatique des équipes de

**ra c gulation en ga c nie climatique 3e a c d fro uniport edu** - Mar 15 2022

web may 18 2023 ra c gulation en ga c nie climatique 3e a c d fro 2 13 downloaded from uniport edu ng on may 18 2023 by guest abnormal biometal homeostasis is a key

**ra c gulation en ga c nie climatique 3e a c d fro pdf** - Jun 29 2023

web oct 17 2023 ra c gulation en ga c nie climatique 3e a c d fro 2 10 downloaded from uniport edu ng on october 17 2023 by guest type 2 diabetes and breast cancer thus

**ra c gulation en ga c nie climatique 3e a c d fro pdf** - Feb 11 2022

web apr 16 2023 ra c gulation en ga c nie climatique 3e a c d fro 2 11 downloaded from uniport edu ng on april 16 2023 by guest begins with a general description of the

**ra c gulation en ga c nie climatique 3e a c d fro 2022 ftp** - Dec 12 2021

web 2 ra c gulation en ga c nie climatique 3e a c d fro 2022 07 01 epithelial endocrine cells and post operative treatment strategies this book should be useful to clinicians

**ra c gulation en ga c nie climatique 3e a c d fro pdf** - Mar 27 2023

web 4 ra c gulation en ga c nie climatique 3e a c d fro 2021 10 14 as erythropoietin in the anemia of end stage disease as well as colony stimu lating factors in

**passage à l acte 1993 user reviews imdb** - Nov 24 2021

**passage à l acte french meaning translation wordsense** - May 31 2022

web les numéros impairs indiquent au contraire un passage à l acte un changement ou une transition les odd numbers indicate however an acting out a change or transition le

*passage à l acte 1996 imdb* - Jan 07 2023

web many translated example sentences containing passage a l acte english french dictionary and search engine for english translations

le passage à l acte sciencedirect - Dec 26 2021

web l objectif poursuivi étant d inciter le cyber acheteur à poursuivre ses achats en ligne jusqu au passage à l acte micropole univers com micropole univers com the objective

**passage à l acte traduction dictionnaire français anglais** - Mar 09 2023

web passage à l acte pa sa 3 a l akt masculin psychiatrie déclenchement pathologique d une action impulsive et violente la psychiatrie raoult 2002a s est très tôt penchée sur les

*passage à l acte english french dictionary wordreference com* - Mar 29 2022

web description tout être humain possède en soi un potentiel de violence qui est en lien avec la structuration de sa personnalité c est donc au travers de l analyse du comportement

**english translation of passage à l acte collins french english** - Jul 13 2023

web dictionary grammar english translation of passage à l acte passage à l acte 1 taking action il ne suffit pas d avoir raison il faut réussir le passage à l acte it s not enough to

**clinique et psychopathologie du passage à l acte cairn info** - Aug 02 2022

web 1 l e passage à l acte comporte le plus souvent une dimension d effraction et de violence il intervient alors comme réponse à une situation vécue comme une forme de rapproché

**passer à l acte wiktionnaire le dictionnaire libre** - Apr 10 2023

web passage à l acte traduction français anglais forums pour discuter de passage à l acte voir ses formes composées des exemples et poser vos questions gratuit

*définition de passage à l acte dictionnaire français* - Jun 12 2023

web 1 to take action to act depuis le temps que j en avais envie je suis enfin passé à l acte en m inscrivant au semi marathon i ve been wanting to do it for long enough so i ve

act passage to the encyclopedia com - Dec 06 2022

web oct 5 1993 four people at the breakfast table an american family are locked in the beat of the editing table the short pulsating sequence at the family table shows in its original

**passage à l acte wiktionnaire le dictionnaire libre** - Feb 08 2023

web act passage to the a particular kind of action defined by its disruptive and even criminal character whether the aggression characterizing such an act is directed at the

**passage à l acte 1993 directed by martin arnold** - Nov 05 2022

web le passage à l acte se révèle un signe de détérioration de l expression normale du fonctionnement mental le passage à l acte est destiné à atteindre l autre sans avoir à

**le passage à l acte english translation linguee** - Jul 01 2022

web passage à l acte traduction anglais français forums pour discuter de passage à l acte voir ses formes composées des exemples et poser vos questions gratuit

**le passage à l acte cairn info** - Apr 29 2022

web abstract in reference to the case history of an incarcerated man this article explores the difference between the lacanian concepts of the act and the passage à l acte in

pdf the lacanian act and passage à l acte researchgate - Jan 27 2022

web de très nombreux exemples de phrases traduites contenant passage à l acte dictionnaire anglais français et moteur de recherche de traductions anglaises

**translation of passage à l acte in english reverso context** - Feb 25 2022

web passage à l acte takes roughly ten seconds from to kill a mockingbird and makes it an eleven minute short film by essentially putting its audio and visual track on a

**passage à l acte traduction anglaise linguee** - Oct 24 2021

*passage a l acte traduction anglaise linguee* - Sep 22 2021

**english translation of passer à l acte collins online dictionary** - May 11 2023

web passer à l acte pa se a l akt ou pa se ɤ a l akt se conjugue voir la conjugaison de passer agir il y a une banalisation des paroles de haine particulièrement sur les

*passage à l acte short 1993 imdb* - Sep 03 2022

web passage à l acte passage à l acte french noun passage à l acte masc pl passages à l acte impulsive acting out

**passage a l acte english translation linguee** - Oct 04 2022

web many translated example sentences containing le passage à l acte english french dictionary and search engine for english translations

**passage à l acte wiktionary the free dictionary** - Aug 14 2023

web jun 5 2022 from passer à l acte age pronunciation ipa pa sa ʒ a l akt pɑ sa ʒ a l akt noun passage à l acte m plural passages à l acte impulsive acting out