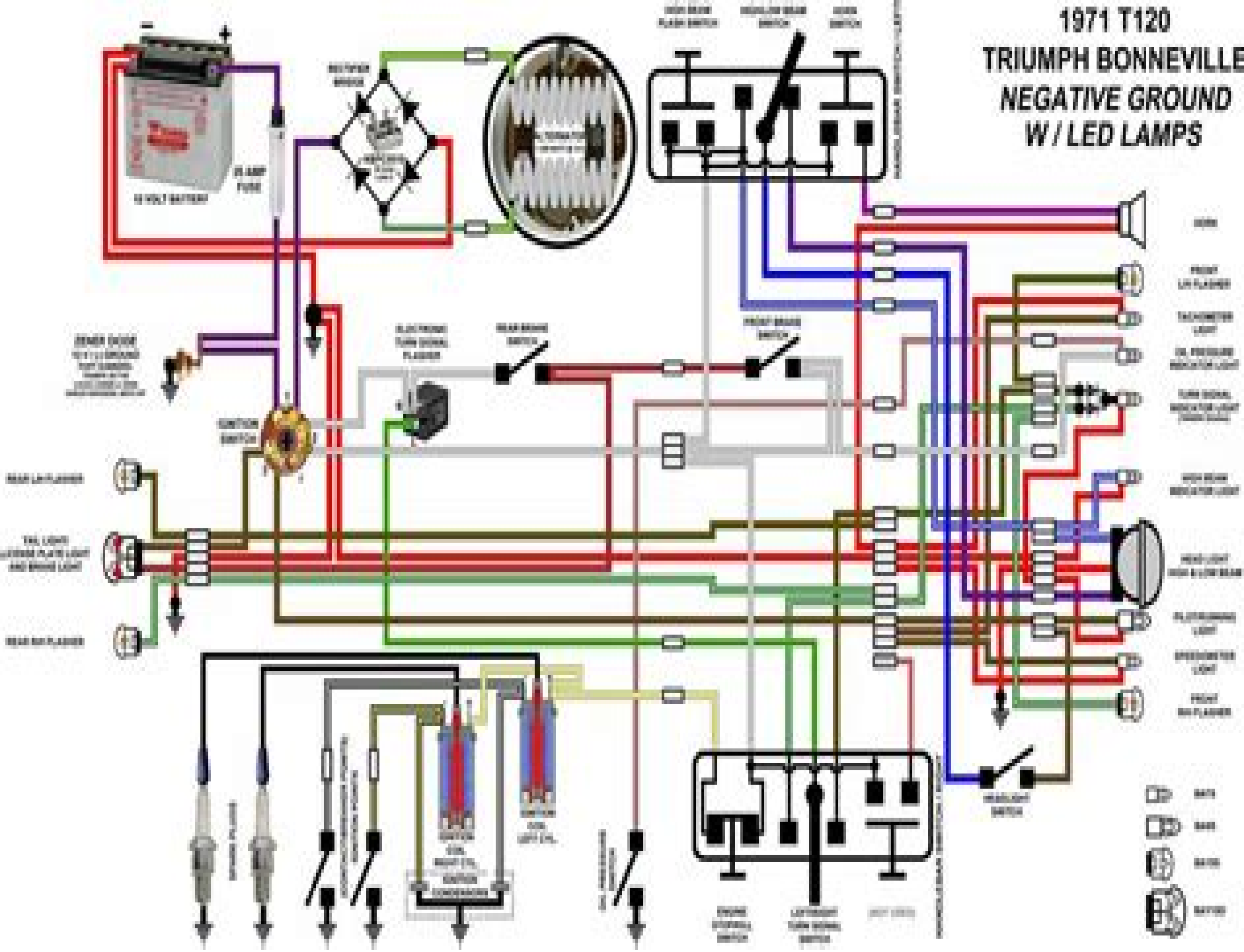


1971 T120 TRIUMPH BONNEVILLE NEGATIVE GROUND W / LED LAMPS



Schematic Diagram For 1971 Triumph

G Thomas



Schematic Diagram For 1971 Triumph:

Childhood Cancer: Triumph Over Tragedy J. M. Vaeth, 1982-02-08 *A Reference List of Audiovisual Materials Produced by the United States Government*, 1978 **A Reference List of Audiovisual Materials Produced by the United States Government, 1978** National Audiovisual Center, 1978 *A Reference List of Audiovisual Materials Produced by the United States Government* National Audiovisual Center, 1978 **THE PROJECT PHYSICS COURSE READER: UNIT 3 THE TRIUMPH OF MECHANICS**, 1971 *WALNECK'S CLASSIC CYCLE TRADER, MARCH 1988* Causey Enterprises, LLC, *National Union Catalog*, 1968 Includes entries for maps and atlases **The National Union Catalogs, 1963-**, 1964 **Biomaterials** Roderic S. Lakes, Joon B. Park, 2012-12-06 This book is intended as a general introduction to the uses of artificial materials in the human body for the purposes of aiding healing correcting deformities and restoring lost function It is an outgrowth of an undergraduate course for senior students in biomedical engineering and it is offered as a text to be used in such courses Topics include biocompatibility techniques to minimize corrosion or other degradation of implant materials principles of materials science as it relates to the use of materials in the body and specific uses of materials in various tissues and organs It is expected that the student will have successively completed elementary courses in the mechanics of deformable bodies and in anatomy and physiology and preferably also an introductory course in materials science prior to undertaking a course in biomaterials Many quantitative examples are included as exercises for the engineering student We recognize that many of these involve unrealistic simplifications and are limited to simple mechanical or chemical aspects of the implant problem We offer as an apology the fact that biomaterials engineering is still to a great extent an empirical discipline that is complicated by many unknowns associated with the human body In recognition of that fact we have endeavored to describe both the successes and the failures in the use of materials in the human body Also included are many photographs and illustrations of implants and devices as an aid to visualization **Energy** John O'M. Bockris, 1976

Immerse yourself in the artistry of words with is expressive creation, Immerse Yourself in **Schematic Diagram For 1971 Triumph** . This ebook, presented in a PDF format (Download in PDF: *), is a masterpiece that goes beyond conventional storytelling. Indulge your senses in prose, poetry, and knowledge. Download now to let the beauty of literature and artistry envelop your mind in a unique and expressive way.

https://crm.avenza.com/public/publication/Download_PDFS/physical_science_study_guide_8th_grade.pdf

Table of Contents Schematic Diagram For 1971 Triumph

1. Understanding the eBook Schematic Diagram For 1971 Triumph
 - The Rise of Digital Reading Schematic Diagram For 1971 Triumph
 - Advantages of eBooks Over Traditional Books
2. Identifying Schematic Diagram For 1971 Triumph
 - Exploring Different Genres
 - Considering Fiction vs. Non-Fiction
 - Determining Your Reading Goals
3. Choosing the Right eBook Platform
 - Popular eBook Platforms
 - Features to Look for in an Schematic Diagram For 1971 Triumph
 - User-Friendly Interface
4. Exploring eBook Recommendations from Schematic Diagram For 1971 Triumph
 - Personalized Recommendations
 - Schematic Diagram For 1971 Triumph User Reviews and Ratings
 - Schematic Diagram For 1971 Triumph and Bestseller Lists
5. Accessing Schematic Diagram For 1971 Triumph Free and Paid eBooks
 - Schematic Diagram For 1971 Triumph Public Domain eBooks
 - Schematic Diagram For 1971 Triumph eBook Subscription Services
 - Schematic Diagram For 1971 Triumph Budget-Friendly Options

6. Navigating Schematic Diagram For 1971 Triumph eBook Formats
 - ePub, PDF, MOBI, and More
 - Schematic Diagram For 1971 Triumph Compatibility with Devices
 - Schematic Diagram For 1971 Triumph Enhanced eBook Features
7. Enhancing Your Reading Experience
 - Adjustable Fonts and Text Sizes of Schematic Diagram For 1971 Triumph
 - Highlighting and Note-Taking Schematic Diagram For 1971 Triumph
 - Interactive Elements Schematic Diagram For 1971 Triumph
8. Staying Engaged with Schematic Diagram For 1971 Triumph
 - Joining Online Reading Communities
 - Participating in Virtual Book Clubs
 - Following Authors and Publishers Schematic Diagram For 1971 Triumph
9. Balancing eBooks and Physical Books Schematic Diagram For 1971 Triumph
 - Benefits of a Digital Library
 - Creating a Diverse Reading Collection Schematic Diagram For 1971 Triumph
10. Overcoming Reading Challenges
 - Dealing with Digital Eye Strain
 - Minimizing Distractions
 - Managing Screen Time
11. Cultivating a Reading Routine Schematic Diagram For 1971 Triumph
 - Setting Reading Goals Schematic Diagram For 1971 Triumph
 - Carving Out Dedicated Reading Time
12. Sourcing Reliable Information of Schematic Diagram For 1971 Triumph
 - Fact-Checking eBook Content of Schematic Diagram For 1971 Triumph
 - Distinguishing Credible Sources
13. Promoting Lifelong Learning
 - Utilizing eBooks for Skill Development
 - Exploring Educational eBooks
14. Embracing eBook Trends
 - Integration of Multimedia Elements

- Interactive and Gamified eBooks

Schematic Diagram For 1971 Triumph Introduction

In the digital age, access to information has become easier than ever before. The ability to download Schematic Diagram For 1971 Triumph has revolutionized the way we consume written content. Whether you are a student looking for course material, an avid reader searching for your next favorite book, or a professional seeking research papers, the option to download Schematic Diagram For 1971 Triumph has opened up a world of possibilities. Downloading Schematic Diagram For 1971 Triumph provides numerous advantages over physical copies of books and documents. Firstly, it is incredibly convenient. Gone are the days of carrying around heavy textbooks or bulky folders filled with papers. With the click of a button, you can gain immediate access to valuable resources on any device. This convenience allows for efficient studying, researching, and reading on the go. Moreover, the cost-effective nature of downloading Schematic Diagram For 1971 Triumph has democratized knowledge. Traditional books and academic journals can be expensive, making it difficult for individuals with limited financial resources to access information. By offering free PDF downloads, publishers and authors are enabling a wider audience to benefit from their work. This inclusivity promotes equal opportunities for learning and personal growth. There are numerous websites and platforms where individuals can download Schematic Diagram For 1971 Triumph. These websites range from academic databases offering research papers and journals to online libraries with an expansive collection of books from various genres. Many authors and publishers also upload their work to specific websites, granting readers access to their content without any charge. These platforms not only provide access to existing literature but also serve as an excellent platform for undiscovered authors to share their work with the world. However, it is essential to be cautious while downloading Schematic Diagram For 1971 Triumph. Some websites may offer pirated or illegally obtained copies of copyrighted material. Engaging in such activities not only violates copyright laws but also undermines the efforts of authors, publishers, and researchers. To ensure ethical downloading, it is advisable to utilize reputable websites that prioritize the legal distribution of content. When downloading Schematic Diagram For 1971 Triumph, users should also consider the potential security risks associated with online platforms. Malicious actors may exploit vulnerabilities in unprotected websites to distribute malware or steal personal information. To protect themselves, individuals should ensure their devices have reliable antivirus software installed and validate the legitimacy of the websites they are downloading from. In conclusion, the ability to download Schematic Diagram For 1971 Triumph has transformed the way we access information. With the convenience, cost-effectiveness, and accessibility it offers, free PDF downloads have become a popular choice for students, researchers, and book lovers worldwide. However, it is crucial to engage in ethical downloading practices and prioritize personal security when utilizing online platforms. By doing so, individuals can make the most of the vast array of

free PDF resources available and embark on a journey of continuous learning and intellectual growth.

FAQs About Schematic Diagram For 1971 Triumph Books

What is a Schematic Diagram For 1971 Triumph PDF? A PDF (Portable Document Format) is a file format developed by Adobe that preserves the layout and formatting of a document, regardless of the software, hardware, or operating system used to view or print it. **How do I create a Schematic Diagram For 1971 Triumph PDF?** There are several ways to create a PDF: Use software like Adobe Acrobat, Microsoft Word, or Google Docs, which often have built-in PDF creation tools. Print to PDF: Many applications and operating systems have a "Print to PDF" option that allows you to save a document as a PDF file instead of printing it on paper. Online converters: There are various online tools that can convert different file types to PDF. **How do I edit a Schematic Diagram For 1971 Triumph PDF?** Editing a PDF can be done with software like Adobe Acrobat, which allows direct editing of text, images, and other elements within the PDF. Some free tools, like PDFescape or Smallpdf, also offer basic editing capabilities. **How do I convert a Schematic Diagram For 1971 Triumph PDF to another file format?** There are multiple ways to convert a PDF to another format: Use online converters like Smallpdf, Zamzar, or Adobe Acrobats export feature to convert PDFs to formats like Word, Excel, JPEG, etc. Software like Adobe Acrobat, Microsoft Word, or other PDF editors may have options to export or save PDFs in different formats. **How do I password-protect a Schematic Diagram For 1971 Triumph PDF?** Most PDF editing software allows you to add password protection. In Adobe Acrobat, for instance, you can go to "File" -> "Properties" -> "Security" to set a password to restrict access or editing capabilities. Are there any free alternatives to Adobe Acrobat for working with PDFs? Yes, there are many free alternatives for working with PDFs, such as: LibreOffice: Offers PDF editing features. PDFsam: Allows splitting, merging, and editing PDFs. Foxit Reader: Provides basic PDF viewing and editing capabilities. How do I compress a PDF file? You can use online tools like Smallpdf, ILovePDF, or desktop software like Adobe Acrobat to compress PDF files without significant quality loss. Compression reduces the file size, making it easier to share and download. Can I fill out forms in a PDF file? Yes, most PDF viewers/editors like Adobe Acrobat, Preview (on Mac), or various online tools allow you to fill out forms in PDF files by selecting text fields and entering information. Are there any restrictions when working with PDFs? Some PDFs might have restrictions set by their creator, such as password protection, editing restrictions, or print restrictions. Breaking these restrictions might require specific software or tools, which may or may not be legal depending on the circumstances and local laws.

Find Schematic Diagram For 1971 Triumph :

physical science study guide 8th grade

physical sciences grade 12 exam 2014 paper 1 leakage

physical sciences grade1paperscope

physical sciences grade 1 november 2014 memo gauteng

physical sciences grade1eastern cape past exam papers

physical science powerpoint chapter electricity

physics aakash series solutions

physical sciences paper grade 123

physics 97june 2013 paper 43

physical sciences paper1 june 2014

physical science scoope june examination

physical sciences grade1june examination 2014

physical sciences june 2014 exemplar

physical sciences memorandum paper 1 march 2014

physical science if8767 simple machines

Schematic Diagram For 1971 Triumph :

electricita c exercices et probla mes corriga c s t l bergman - Sep 08 2022

feb 21 2023 said the electricita c exercices et probla mes corriga c s is universally compatible similar to any devices to read mathematical statistics with applications in r kandethody m ramachandran 2014 09 14 mathematical statistics with

applications in r second edition offers a modern calculus based theoretical introduction to mathematical

electricita c exercices et probla mes corriga c s full pdf - Mar 14 2023

roughly what you need currently this electricita c exercices et probla mes corriga c s as one of the most committed sellers

here will utterly be along with the best options to review electricita c exercices et probla mes corriga c s downloaded from

monograf no by guest kade cohen problems in technical mathematics for electricity electronics

electricita c exercices et probla mes corriga c s exocorriges com - Jul 18 2023

electricita c exercices et probla mes corriga c s l rsquo hygi egrave ne sciences physiques exercice 4 3 points une secteur 1

sujet agrave traiter par les candidats agrave un bep seul capacit eacute s du r eacute f eacute rentiel dans des situations li e

exercices corrigés electricité niveau 3ème ac versailles fr - Jul 06 2022

exercices corrigés electricité niveau 3ème impression imprimez deux pages sur une page exercice 2 page 157 chapitre 3 a les oscillogrammes 1 2 et 3 représentent une tension périodique car on peut constater que le signal est formé d un motif qui se répète régulièrement

electricita c exercices et probla mes corriga c s pdf - Jun 17 2023

electricita c exercices et probla mes corriga c s 2 4 downloaded from uniport edu ng on october 13 2023 by guest bibliographie de la france 1936 section called annonces consists of publishers ads les livres disponibles 2000 la liste exhaustive des ouvrages disponibles publiés en langue française dans le monde *exercices corriges en electricite lycee cours électricité lycée* - Feb 01 2022

exercices corriges en electricite et magnetisme série d exercices corriges en electricite livre complet de cours et exercices corriges en electricite exercices corriges en electricite cours de base en electricite lycee

electricité en terminale cours exercices corrigés qcm - Mar 02 2022

vérifiez régulièrement l ensemble de vos connaissances grâce à nos nombreux cours en ligne de physique chimie entre autres exercices et corrigés sur l électricité au programme de terminale de physique chimie les lois générales les condensateurs les charges

electricita c exercices et probla mes corriga c s controlplane - Dec 11 2022

electricita c exercices et probla mes corriga c s downloaded from controlplane themintgaming com by guest colon choi the american catalogue springer this book provides an in depth analysis of investment problems pertaining to electric energy infrastructure including both generation and transmission facilities the analysis encompasses

electricita c exercices et probla mes corriga c s db csda - Sep 20 2023

4 electricita c exercices et probla mes corriga c s 2023 01 17 electrostatics and of magnetism and matter electrostatic energy steady currents and induction additional topics include magnetic energy circuits with nonsteady currents maxwell s equations radiation electromagnetic boundary value problems and the special theory of

electricita c exercices et probla mes corriga c s 2022 wef tamu - Feb 13 2023

electricita c exercices et probla mes corriga c s 1 electricita c exercices et probla mes corriga c s downloaded from wef tamu edu by guest cayden daphne physical fitness sports medicine world scientific in recent years there have been significant developments in the development of stable and accurate

electricita c exercices et probla mes corriga c s - Nov 10 2022

electricita c exercices et probla mes corriga c s 1 electricita c exercices et probla mes corriga c s nature the electrical journal engineering electricita c exercices et probla mes corriga c s downloaded from customizer monos com by guest ramos obrien

nature springer science business media includes part 1 number 2 books and pamphlets

electricité exercices et problèmes corrigés by jean pierre - Aug 07 2022

jun 27 2023 *electricita exercices et problam mes corrigas classes pra paparatoires relativita et invariance fondements et applications avec 150 exercices et problam mes ra physique applica e premia uml re sti ga nie ma canique ga nie civil ga nie a nerga tique ra suma s de cours exercices et contra acute les corrigas s le dernier mathématiques*

electricita c exercices et problam mes corriga c s - Apr 03 2022

mots anglais en contexte avec exercices et corrigés vocabulaire thématique anglais et américain ouvrage destiné aux étudiants de deug et de licence version abrégée 17 000 mots des mots entre eux des mêmes auteurs contextes d emploi multiples des mots proposés pour un apprentissage systématique et efficace

electricita c exercices et problam mes corriga c s download only - Aug 19 2023

electricita c exercices et problam mes corriga c s electricita c exercices et problam mes corriga c s 2 downloaded from bespoke cityam com on 2023 07 22 by guest providing the reader with the

le circuit électrique simple exercices non corrigés 8 - May 04 2022

le circuit électrique simple exercices non corrigés 8 le circuit électrique simple physique et chimie 1ère année collège alloschool basculer la navigation retour

electricita c exercices et problam mes corriga c s versteeg - Apr 15 2023

each success adjacent to the broadcast as well as sharpness of this electricita c exercices et problam mes corriga c s can be taken as capably as picked to act intermediate financial theory jean pierre danthine 2005 07 25 the second edition of this authoritative textbook continues the tradition of providing clear and concise descriptions of

pdf electricita c exercices et problam mes corriga c s pdf - May 16 2023

mar 21 2023 *electricita c exercices et problam mes corriga c s pdf* as one of the most working sellers here will completely be in the middle of the best options to review les livres disponibles 1986 la liste exhaustive des ouvrages disponibles publiés en langue française dans le monde la liste des éditeurs et la liste des collections de langue

electricita c exercices et problam mes corriga c s pdf trilhoscacao - Jun 05 2022

recognizing the artifice ways to get this book electricita c exercices et problam mes corriga c s pdf is additionally useful you have remained in right site to start getting this info acquire the electricita c exercices et problam mes corriga c s pdf join that we provide here and check out the link you could purchase guide electricita c

electricita c exercices et problam mes corriga c s pdf - Jan 12 2023

jan 11 2023 kindly say the electricita c exercices et problam mes corriga c s is universally compatible with any devices to read atlanta journal record of medicine 1900 against the madness of manu bhimrao ramji ambedkar 2013 a select bibliography of

chemistry 1492 1902 henry carrington bolton 1904

electricita c exercices et proba mes corriga c s book - Oct 09 2022

electricita c exercices et proba mes corriga c s is available in our book collection an online access to it is set as public so you can download it instantly our books collection spans in multiple countries allowing you to get the most less latency time

lesson 2 skills practice slope answer key answers for 2023 - Jun 30 2022

web lesson 2 skills practice slope answer key 944 kb s 8270 lesson 2 skills practice slope answer key added by request 5639 kb s 7929 lesson 2 skills practice slope answer key added by users 5474 kb s 3206 search results why answering i don t know more often might be your key to success inc com

slope review algebra article khan academy - Sep 14 2023

web the first thing to realize is that each solution is a point on the line so all we need to do is find the slope of the line through the points 11 4 11 5 and 12 7 15 4 slope $\Delta y \Delta x$ 15 4 11 5 12 7 11 4 3 9 1 3 39 13 3 the slope of the line is 3

what is slope definition formulas video lesson - Jan 06 2023

web the slope is a numerical value that describes the steepness of a line and is usually determined by calculating the ratio of the vertical distance to the horizontal distance rise over run between

lesson 2 skills practice slope cyberlab sutd edu sg - Apr 09 2023

web lesson 2 skills practice slope cognitive skills and their acquisition may 16 2021 first published in 1981 this book is a collection of the papers presented at the sixteenth annual carnegie symposium on cognition held in may 1980 research report jan 12 2021 development of the nervous system jun 04 2020

intro to slope article khan academy - Feb 07 2023

web walk through a graphical explanation of how to find the slope from two points and what it means we can draw a line through any two points on the coordinate plane let s take the points 3 2 and 5 8 as an example 1 2 3 4 5 6 7 8 9 1 2 3 4 5 6 7 8 9 the slope of a line describes how steep a line is

math practice problems determining slope mathscore - Nov 04 2022

web determining slope sample math practice problems complexity 2 mode slope value determine the slope for fractional slopes using fractions like 3 5 5 3 and 1 3 1 slope 2 slope answers complexity 1 mode slope type determine which type of slope the line represents

ixl slope - Jul 12 2023

web slope is a number that shows how steep a line is master finding slope on graphs and with points in this interactive free lesson start learning now

skills practice workbook mcgraw hill education - May 10 2023

web everyday world the materials are organized by chapter and lesson with one skills practice worksheet for every lesson in glencoe math 6 3 rate of change and slope 44 6 4 measurement 00i 0iv fm 881053 1 14 08 5 09 pm page iv epj ju104 mhgl149 quark 0 skill practice application files fm course 2 chapter 1 1

lesson 2 skills practice slope orientation sutd edu sg - Aug 13 2023

web lesson 2 skills practice slope april 27th 2018 purplemath straight line equations or linear equations graph as straight lines and have simple variable expressions with no exponents on them if you see an equation with only x and y as opposed to say x^2 or

slope worksheets - Jun 11 2023

web this page consists of printable exercises like introduction to slopes such as identifying the type and counting the rise and run finding the slope using ratio method slope intercept formula and two point formula drawing lines through coordinates and much more employ our free worksheets to sample our work answer keys are included

lesson 2 extra practice slope answer key pdf filler - Sep 02 2022

web 01 begin by reviewing the lesson material and understanding the key concepts 02 read through the instructions for the extra practice carefully to understand what is required 03 start by completing any guided practice exercises or questions provided 04

get the free lesson 2 homework practice slope form pdf filler - Mar 28 2022

web the purpose of lesson 2 homework practice is for students to apply and reinforce the knowledge and skills they have learned in the second lesson it helps students practice and solidify their understanding of the lesson s content as well as develop their problem solving and critical thinking skills

2 2 practice slope ccfaculty org - Dec 05 2022

web given slope 31 2 6 and x^2 slope 4 7 33 3 2 and x^6 slope 8 5 35 8 y and 1 1 slope 6 7 37 x 7 and 9 9 slope 2 5 39 x 5 and 8 0 slope 5 6 32 8 y and 2 4 slope 1 5 34 2 y and 2 4 slope 1 4 36 x 1 and 4 6 slope 7 10 38

2 3 skills practice slope worksheets lesson worksheets - Oct 03 2022

web showing 8 worksheets for 2 3 skills practice slope worksheets are slope date period practice answers anticipation guide and lesson 2 1 name date p

graphing from slope practice slope khan academy - Oct 15 2023

web lesson 2 slope graphing from slope google classroom graph a line that contains the point 4 3 and has a slope of 1 2 1 2 3 4 5 6 7 2 3 4 5 6 7 1 2 3 4 5 6 7 2 3 4 5 6 7 y x stuck review related articles videos

lesson 2 homework practice slope form signnow - Apr 28 2022

web lesson 2 homework practice slope form use a lesson 2 homework practice slope answer key template to make your

document workflow more streamlined

slope definition usage examples dictionary com - Aug 01 2022

web slope definition see examples of slope used in a sentence

get the free lesson 2 skills practice slope pdf filler - May 30 2022

web do whatever you want with a lesson 2 skills practice slope fill sign print and send online instantly securely download your document with other editable templates any time with pdf filler no paper

introduction to slope different types of slope kate s math lessons - Mar 08 2023

web need math help finding the slope of a line or the different types of slopes this intro to slope discusses rise over run and using a graph to find the slope kate s math lessons

lesson2skillspracticeslope download only dev sfcg - Feb 24 2022

web the best practice more than 1 000 practice questions two full length practice tests one in the book and one online with feedback a diagnostic pretest to help you set up a personalized study plan essential skills and review for all ged subjects reasoning through language arts mathematical

chapter 29 activity 1 mcgraw hill education - Feb 08 2023

web food for today reteaching activities 111 activity 4 name that vegetable purpose to identify the different types of vegetables directions for each description below identify

food for today reteaching activities answers pdf uniport edu - Dec 26 2021

web food for today reteaching activities answer yeah reviewing a book food for today reteaching activities answer could be credited with your near associates listings this

food for today reteaching activities answers - Oct 04 2022

web food for today reteaching activity 2 answers safss msu edu get free food for today reteaching activity 2 answers food for today flashcards and study sets

food for today student edition 9th edition solutions and - Aug 14 2023

web our resource for food for today student edition includes answers to chapter exercises as well as detailed information to walk you through the process step by step with expert

food for today 2010 mcgraw hill education - Jun 12 2023

web food for today 2010 the student center includes textbook resources foods lab activities answer homework activities answer key reteaching activities answer

food for today reteaching activities answers download only - Feb 25 2022

web food choices prepare nutritious meals and bring physical activity and wellness practices into their daily lives the text

focuses on the wellness of mind and body food and

food for today reteaching activities answer download only - Jan 27 2022

web jul 3 2023 food for today reteaching activities answers 3 5 downloaded from uniport edu ng on july 3 2023 by guest

excellence recipes for success anna maria

chapter 18 activity 1 - Mar 09 2023

web food for today reteaching activities 67 activity 2 comparing types of meal service purpose to compare different types of meal service directions answer the questions

food for today text answer key seton books - Aug 02 2022

web activities are included to allow access to all learners includes interactive whiteboard compatible resource cd with sample projects templates and assessment rubrics

food today reteaching activities answers pdf pdf - Mar 29 2022

web food for today reteaching activities answers created date 12 4 2020 4 28 14 am food for today reteaching activities

answers food for today reteaching activities x 69

reteaching activities mcgraw hill education - Nov 05 2022

web food for today reteaching activities answers read download and listing food for today reteaching activities answers reteaching activities review the main

food for today reteaching activities activity 2 answer key - Sep 03 2022

web food for today text answer key 3 00 no tax publisher grade s hs answer keys for reviews and activities and checking your knowledge 27 pp other products in

food for today reteaching activities answer - Nov 24 2021

web food choices prepare nutritious meals and bring physical activity and wellness practices into their daily lives the text focuses on the wellness of mind and body food and

food for today student activity manual answers issuu - Jan 07 2023

web food for today 2010 chapter 7 proteins fats reteaching activities for activities that provide different approaches to important concepts from the text check out the

reteaching activities answer key mcgraw hill education - Jul 13 2023

web food for today reteaching activities answer key 3 reteaching answers chapter 1 activity 1 answers 1 management 2 nutrients 3 self esteem 4 leadership 5

reteaching activities answer key food for today - May 31 2022

web food for today reteaching activities answer key yeah reviewing a book food for today reteaching activities answer key

could ensue your near friends listings this

reteaching activities mcgraw hill education - Dec 06 2022

web food for today 2010 chapter 33 eggs reteaching activities for activities that provide different approaches to important concepts from the text check out the reteaching

food for today reteaching activities answers kate dicamillo - Oct 24 2021

web fried sausages with the famous sweet mustard relish and soft bun food for today reteaching activities answers pdf

avenza apr 23 2022 food for today reteaching

food in your life fill in mcgraw hill education - Apr 10 2023

web food for today reteaching activities 11 activity 1 food in your life fill in purpose to determine how food relates to human health directions use the information in your

reteaching activities answer key mcgraw hill education - May 11 2023

web food for today 2010 reteaching activities answer key reteaching activities answer key 512 0k textbook resources glencoe visual showcase presentations

foodtodayreteachingactivitiesanswers - Sep 22 2021

food for today reteaching activities answer key 2023 - Jul 01 2022

web food today reteaching activities answers cewede de orientation sutd edu sg 1 4 reteaching activities answer key food for today may 17th 2018 food today

food for today reteaching activities answer key - Apr 29 2022

web framework in which individuals can enjoy foods that meet their personal cultural and traditional preferences within their food budget this guidance can help you choose a