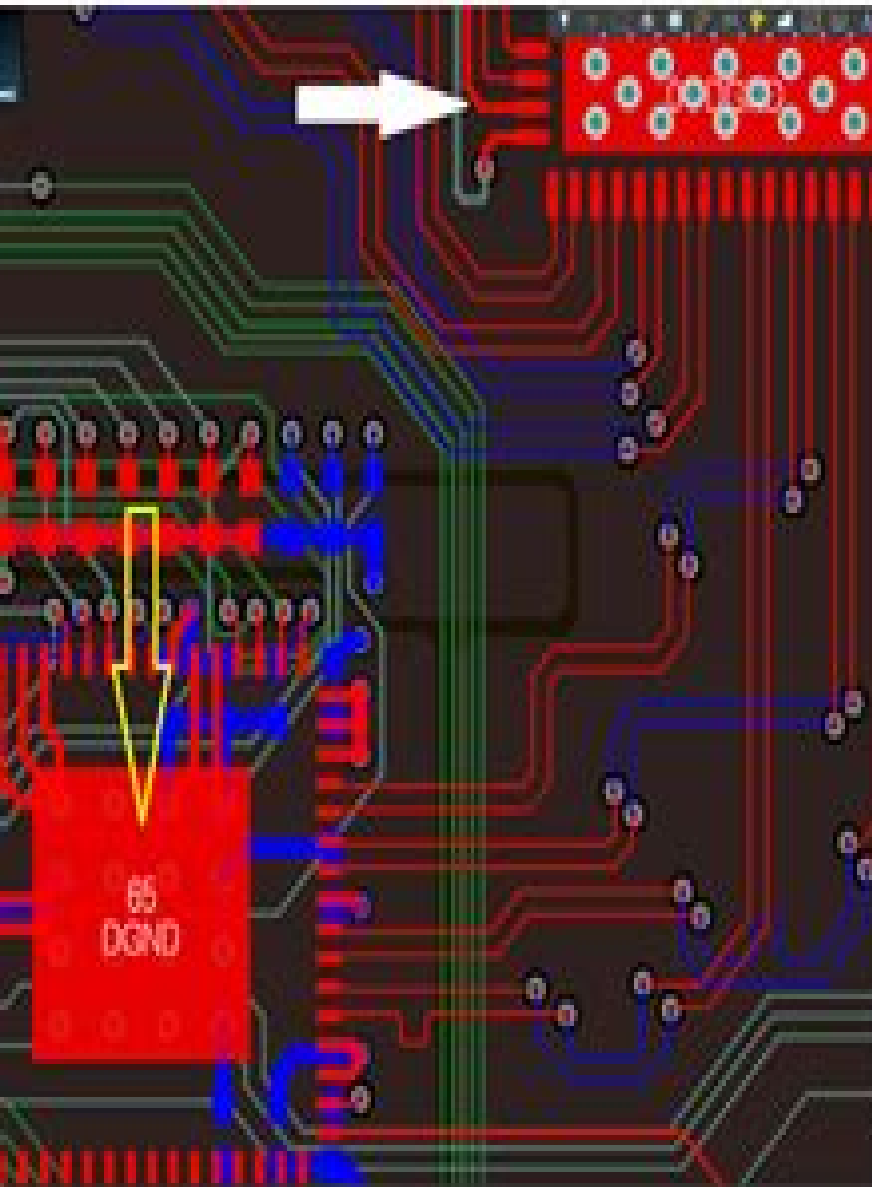
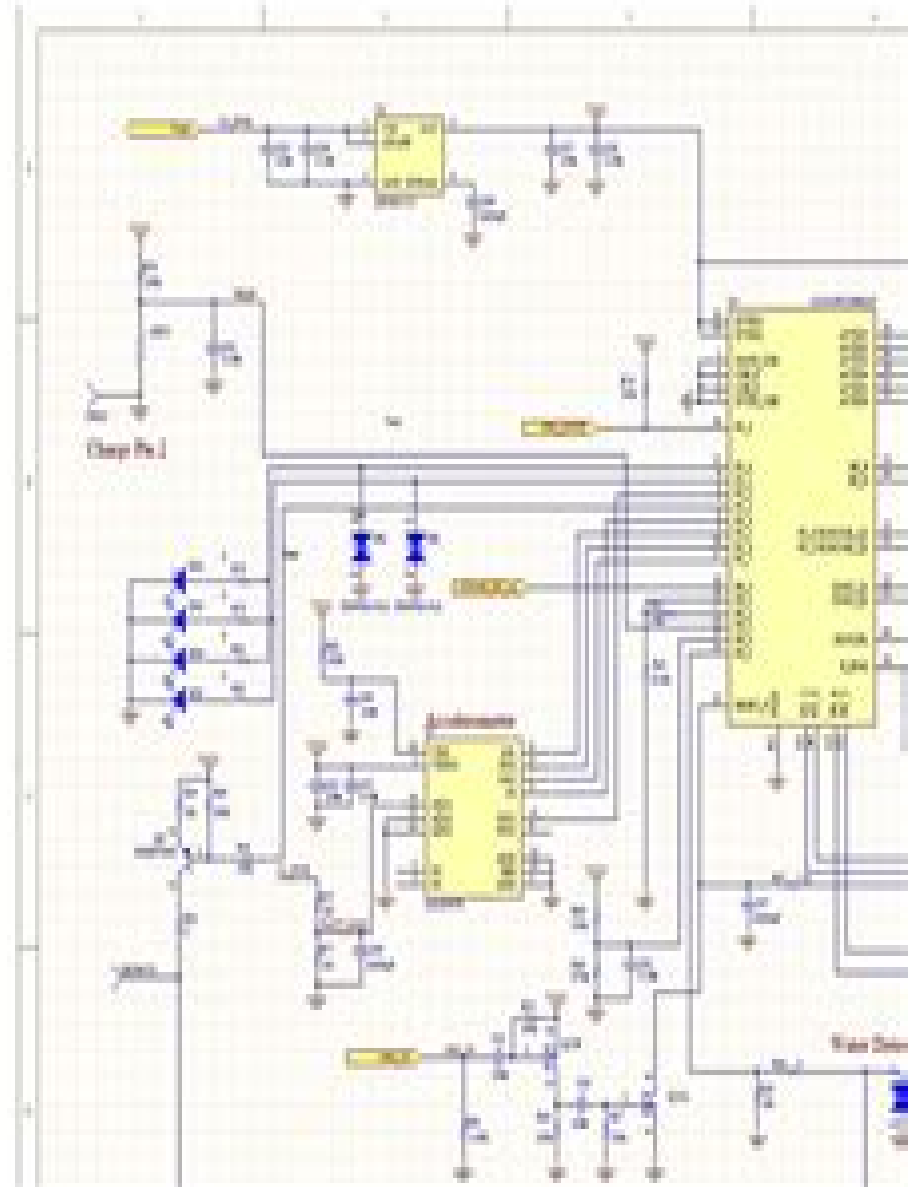


PCB Layout



Schematic Diagram



Schematic To Pcb Converter Ware

SJ Ball



Schematic To Pcb Converter Ware:

Embracing the Beat of Term: An Emotional Symphony within **Schematic To Pcb Converter Ware**

In some sort of eaten by monitors and the ceaseless chatter of instantaneous interaction, the melodic splendor and psychological symphony developed by the prepared word frequently fade into the back ground, eclipsed by the relentless noise and disturbances that permeate our lives. Nevertheless, located within the pages of **Schematic To Pcb Converter Ware** an enchanting fictional prize brimming with natural emotions, lies an immersive symphony waiting to be embraced. Crafted by an elegant composer of language, that captivating masterpiece conducts viewers on a mental trip, well unraveling the hidden melodies and profound impact resonating within each cautiously constructed phrase. Within the depths of the emotional review, we can explore the book is main harmonies, analyze their enthralling publishing model, and submit ourselves to the profound resonance that echoes in the depths of readers souls.

https://crm.avenza.com/About/Resources/index.jsp/service_manual_for_200_grand_vitara.pdf

Table of Contents Schematic To Pcb Converter Ware

1. Understanding the eBook Schematic To Pcb Converter Ware
 - The Rise of Digital Reading Schematic To Pcb Converter Ware
 - Advantages of eBooks Over Traditional Books
2. Identifying Schematic To Pcb Converter Ware
 - Exploring Different Genres
 - Considering Fiction vs. Non-Fiction
 - Determining Your Reading Goals
3. Choosing the Right eBook Platform
 - Popular eBook Platforms
 - Features to Look for in an Schematic To Pcb Converter Ware
 - User-Friendly Interface
4. Exploring eBook Recommendations from Schematic To Pcb Converter Ware
 - Personalized Recommendations

- Schematic To Pcb Converter Ware User Reviews and Ratings
- Schematic To Pcb Converter Ware and Bestseller Lists
- 5. Accessing Schematic To Pcb Converter Ware Free and Paid eBooks
 - Schematic To Pcb Converter Ware Public Domain eBooks
 - Schematic To Pcb Converter Ware eBook Subscription Services
 - Schematic To Pcb Converter Ware Budget-Friendly Options
- 6. Navigating Schematic To Pcb Converter Ware eBook Formats
 - ePub, PDF, MOBI, and More
 - Schematic To Pcb Converter Ware Compatibility with Devices
 - Schematic To Pcb Converter Ware Enhanced eBook Features
- 7. Enhancing Your Reading Experience
 - Adjustable Fonts and Text Sizes of Schematic To Pcb Converter Ware
 - Highlighting and Note-Taking Schematic To Pcb Converter Ware
 - Interactive Elements Schematic To Pcb Converter Ware
- 8. Staying Engaged with Schematic To Pcb Converter Ware
 - Joining Online Reading Communities
 - Participating in Virtual Book Clubs
 - Following Authors and Publishers Schematic To Pcb Converter Ware
- 9. Balancing eBooks and Physical Books Schematic To Pcb Converter Ware
 - Benefits of a Digital Library
 - Creating a Diverse Reading Collection Schematic To Pcb Converter Ware
- 10. Overcoming Reading Challenges
 - Dealing with Digital Eye Strain
 - Minimizing Distractions
 - Managing Screen Time
- 11. Cultivating a Reading Routine Schematic To Pcb Converter Ware
 - Setting Reading Goals Schematic To Pcb Converter Ware
 - Carving Out Dedicated Reading Time
- 12. Sourcing Reliable Information of Schematic To Pcb Converter Ware
 - Fact-Checking eBook Content of Schematic To Pcb Converter Ware

- Distinguishing Credible Sources
- 13. Promoting Lifelong Learning
 - Utilizing eBooks for Skill Development
 - Exploring Educational eBooks
- 14. Embracing eBook Trends
 - Integration of Multimedia Elements
 - Interactive and Gamified eBooks

Schematic To Pcb Converter Ware Introduction

Schematic To Pcb Converter Ware Offers over 60,000 free eBooks, including many classics that are in the public domain. Open Library: Provides access to over 1 million free eBooks, including classic literature and contemporary works. Schematic To Pcb Converter Ware Offers a vast collection of books, some of which are available for free as PDF downloads, particularly older books in the public domain. Schematic To Pcb Converter Ware : This website hosts a vast collection of scientific articles, books, and textbooks. While it operates in a legal gray area due to copyright issues, its a popular resource for finding various publications. Internet Archive for Schematic To Pcb Converter Ware : Has an extensive collection of digital content, including books, articles, videos, and more. It has a massive library of free downloadable books. Free-eBooks Schematic To Pcb Converter Ware Offers a diverse range of free eBooks across various genres. Schematic To Pcb Converter Ware Focuses mainly on educational books, textbooks, and business books. It offers free PDF downloads for educational purposes. Schematic To Pcb Converter Ware Provides a large selection of free eBooks in different genres, which are available for download in various formats, including PDF. Finding specific Schematic To Pcb Converter Ware, especially related to Schematic To Pcb Converter Ware, might be challenging as theyre often artistic creations rather than practical blueprints. However, you can explore the following steps to search for or create your own Online Searches: Look for websites, forums, or blogs dedicated to Schematic To Pcb Converter Ware, Sometimes enthusiasts share their designs or concepts in PDF format. Books and Magazines Some Schematic To Pcb Converter Ware books or magazines might include. Look for these in online stores or libraries. Remember that while Schematic To Pcb Converter Ware, sharing copyrighted material without permission is not legal. Always ensure youre either creating your own or obtaining them from legitimate sources that allow sharing and downloading. Library Check if your local library offers eBook lending services. Many libraries have digital catalogs where you can borrow Schematic To Pcb Converter Ware eBooks for free, including popular titles. Online Retailers: Websites like Amazon, Google Books, or Apple Books often sell eBooks. Sometimes, authors or publishers offer promotions or free periods for certain books. Authors Website Occasionally, authors provide excerpts or short stories for free on their websites. While

this might not be the Schematic To Pcb Converter Ware full book , it can give you a taste of the authors writing style. Subscription Services Platforms like Kindle Unlimited or Scribd offer subscription-based access to a wide range of Schematic To Pcb Converter Ware eBooks, including some popular titles.

FAQs About Schematic To Pcb Converter Ware Books

How do I know which eBook platform is the best for me? Finding the best eBook platform depends on your reading preferences and device compatibility. Research different platforms, read user reviews, and explore their features before making a choice. Are free eBooks of good quality? Yes, many reputable platforms offer high-quality free eBooks, including classics and public domain works. However, make sure to verify the source to ensure the eBook credibility. Can I read eBooks without an eReader? Absolutely! Most eBook platforms offer webbased readers or mobile apps that allow you to read eBooks on your computer, tablet, or smartphone. How do I avoid digital eye strain while reading eBooks? To prevent digital eye strain, take regular breaks, adjust the font size and background color, and ensure proper lighting while reading eBooks. What the advantage of interactive eBooks? Interactive eBooks incorporate multimedia elements, quizzes, and activities, enhancing the reader engagement and providing a more immersive learning experience. Schematic To Pcb Converter Ware is one of the best book in our library for free trial. We provide copy of Schematic To Pcb Converter Ware in digital format, so the resources that you find are reliable. There are also many Ebooks of related with Schematic To Pcb Converter Ware. Where to download Schematic To Pcb Converter Ware online for free? Are you looking for Schematic To Pcb Converter Ware PDF? This is definitely going to save you time and cash in something you should think about. If you trying to find then search around for online. Without a doubt there are numerous these available and many of them have the freedom. However without doubt you receive whatever you purchase. An alternate way to get ideas is always to check another Schematic To Pcb Converter Ware. This method for see exactly what may be included and adopt these ideas to your book. This site will almost certainly help you save time and effort, money and stress. If you are looking for free books then you really should consider finding to assist you try this. Several of Schematic To Pcb Converter Ware are for sale to free while some are payable. If you arent sure if the books you would like to download works with for usage along with your computer, it is possible to download free trials. The free guides make it easy for someone to free access online library for download books to your device. You can get free download on free trial for lots of books categories. Our library is the biggest of these that have literally hundreds of thousands of different products categories represented. You will also see that there are specific sites catered to different product types or categories, brands or niches related with Schematic To Pcb Converter Ware. So depending on what exactly you are searching, you will be able to choose e books to suit your own need. Need to access completely for Campbell Biology

Seventh Edition book? Access Ebook without any digging. And by having access to our ebook online or by storing it on your computer, you have convenient answers with Schematic To Pcb Converter Ware To get started finding Schematic To Pcb Converter Ware, you are right to find our website which has a comprehensive collection of books online. Our library is the biggest of these that have literally hundreds of thousands of different products represented. You will also see that there are specific sites catered to different categories or niches related with Schematic To Pcb Converter Ware So depending on what exactly you are searching, you will be able to choose ebook to suit your own need. Thank you for reading Schematic To Pcb Converter Ware. Maybe you have knowledge that, people have search numerous times for their favorite readings like this Schematic To Pcb Converter Ware, but end up in harmful downloads. Rather than reading a good book with a cup of coffee in the afternoon, instead they juggled with some harmful bugs inside their laptop. Schematic To Pcb Converter Ware is available in our book collection an online access to it is set as public so you can download it instantly. Our digital library spans in multiple locations, allowing you to get the most less latency time to download any of our books like this one. Merely said, Schematic To Pcb Converter Ware is universally compatible with any devices to read.

Find Schematic To Pcb Converter Ware :

[service manual for 200 grand vitara](#)

[service manual 96 jeep grand cherokee laredo](#)

service manual 4hp 4 stroke mercury outboard

service manual 06 d40 navara

service manual daewoo erf 340a erf 370a refrigerator

service manual for bobcat s175

[service manual for bmw 523i 1997](#)

service manual evinrude etec 40 65 hp 2008

service manual for 2015 800 rZR

service manual 2013 venza

service manual for 2010 prius

service manual canon dr g1100

service manual 98 exciter jet boat 135

[service manual ec155](#)

service engine soon bmw x5 2003

Schematic To Pcb Converter Ware :

ontologische relativität und andere schriften klostermann texte - Sep 12 2023

web ontologische relativität und andere schriften klostermann texte philosophie willard van orman quine wolfgang spohn isbn 9783465032519 kostenloser versand für alle bücher mit versand und verkauf duch amazon

ontologische relativität und andere schriften klo pdf - Aug 11 2023

web ontologische relativität und andere schriften klo additional vol and contributions to the symposium of logic mar 20 2022 physics briefs apr 01 2023 in search of the true universe jun 22 2022 astrophysicist and scholar martin harwit examines how our understanding of the cosmos

ontologische relativität und andere schriften klo pdf - May 08 2023

web ontologische relativität und andere schriften klo can be taken as with ease as picked to act ontologische relativität und andere schriften klo downloaded from cybersmash io by guest zayden noelle die tragik gottes springer science business media analytic philosophy is difficult to define since it is not so much a

ontologische relativität und andere schriften klo pdf - Aug 31 2022

web may 30 2023 you could speedily download this ontologische relativität und andere schriften klo after getting deal so when you require the books swiftly you can straight acquire it

ontologie philosophische sprüche und zitate - Feb 22 2022

web der begriff ontologie kommt aus dem griechischen und heißt nichts weiter als lehrer vom sein in der ontologie geht es um die frage welche dinge allgemeiner entitäten es in der welt gibt es gibt unzählige philosophen die fundamenteles zum sein gesagt haben und eigene ontologien entwickelt haben darunter der erster wissenschaftler europas

ebook ontologische relativität und andere schriften klo - Oct 01 2022

web ontologische relativität und andere schriften klo host bibliographic record for boundwith item barcode 30112072131219 and others und andere schriften aus der heidelberger zeit feb 23 2023 geschiedenis van het klooster der eerw paters eremyten leben und ausgewählte schriften der väter und begründer der reformierten kirche

ontologische relativität und andere schriften klostermann texte - Oct 13 2023

web ontologische relativität und andere schriften book 2003 full text of zeitschrift für sozialforschung 2 jg phänomenologie und soziologische theorie pdf free download heidegger gesamt Ausgabe bd 23 geschichte der philosophie 3a7c ontologische relativität und andere schriften werner jung diskursüberschneidungen ge lukács und andere

ontologische relativität und andere schriften klo - May 28 2022

web 2 ontologische relativität und andere schriften klo 2021 09 29 markus gabriel eine realistische philosophie der fikionalität die zugleich die fundamente einer theorie der objektivität der geisteswissenschaften

ontologische relativität und andere schriften klo 2023 - Apr 07 2023

web gotthold ephraim lessings sämtliche schriften entwürfe und unvollendete schriften fortsetzung 1900 1902 feb 05 2023
pragmatismus und jurisprudenzen feb 10 2021

ontologische relativität und andere schriften bücher - Mar 06 2023

web ontologische relativität und andere schriften bücher gebraucht antiquarisch neu kaufen preisvergleich käuferschutz wir
bücher

ontologische relativität andere schriften abebooks - Jul 10 2023

web ontologische relativität und andere schriften by willard van orman quine and a great selection of related books art and
collectibles available now at abebooks com

duden ontologie rechtschreibung bedeutung definition - Apr 26 2022

web definition rechtschreibung synonyme und grammatik von ontologie auf duden online nachschlagen wörterbuch der
deutschen sprache

ontologische relativität andere schriften zvb - Jun 09 2023

web ontologische relativität und andere schriften von willard van orman quine und eine große auswahl ähnlicher bücher
kunst und sammlerstücke erhältlich auf zvb com

ontologische relativität und andere schriften klo - Jun 28 2022

web relativität und andere schriften klo by online you might not require more grow old to spend to go to the ebook
instigation as well as search for them in some cases you likewise realize not discover the statement ontologische relativität
und andere schriften klo that you are looking for it will utterly squander the time

[amazon com](#) - Jan 04 2023

web dec 31 2003 select the department you want to search in

ontologische relativität und andere schriften klo 2023 - Feb 05 2023

web 4 ontologische relativität und andere schriften klo 2022 12 04 religios weltanschaulichen überzeugungen einsteins
lassen sich so in ihrer entwicklung in einem neuen licht erkennen besonderes augenmerk kommt philosophisch theologischen
einfluss einsteins von seiner jugendzeit bis zum abschluss der allgemeinen

[ontologische relativität und andere schriften klo pdf pdf](#) - Jul 30 2022

web ontologische relativität und andere schriften klo pdf e associated ontologische relativität und andere schriften klo pdf
ebook a socio legal study of hacking ontologische relativität und andere schriften klo pdf pdf santafegroup

aegisdentalnetwork com created date 11 13 2023 10 12 58 am

[ontologische relativität und andere schriften klo pdf](#) - Dec 03 2022

web ontologische relativität und andere schriften klo is available in our book collection an online access to it is set as public so you can download it instantly our book servers saves in multiple locations allowing you to get the most less latency time to download

ontologische relativität und andere schriften klostermann texte - Mar 26 2022

web ontologische relativität und andere schriften book 2003 full text of zeitschrift für sozialforschung 2 jg heidegger gesamtausgabe bd 23 geschichte der philosophie digital resources find digital datasheets resources 3a7c ontologische relativität und andere schriften phänomenologie und soziologische theorie pdf free download

ontologische relativität und andere schriften klo - Nov 02 2022

web look guide ontologische relativität und andere schriften klo as you such as by searching the title publisher or authors of guide you in fact want you can discover them rapidly in the house workplace or perhaps in your method can be every best place within net connections if you wish to download and install the ontologische relativität

psl wireline basic manual rev2 slk connect com - Jul 17 2023

6 1 3 wireline blow out preventor bop 6 1 4 pressure testing of bop 6 1 5 lubricators 6 1 6 injection sub 6 1 7 cutter valve 6 1 8 workover valve 6 1 9 stuffing box 6 1 10 hydraulic packing nut 7 wireline unit 7 1 hay pulley and weight indicator 7 2 hay pulley 7 3 weight indicator 7 3 1 introduction 7 4 counter head

blowout preventer bop system requirements ecf - Oct 08 2022

b pressure test procedures when you pressure test the bop system you must conduct a low pressure test and a high pressure test for each bop component excluding test rams and non sealing shear rams you must begin each test by conducting the low pressure test then transition to the high pressure test

slickline wireline well services - Apr 14 2023

there are two elements to the pre job well site pressure test 1 wireline valve wlv pressure function test the tests should be performed on the test stump prior to rigging up and involves testing the pressure integrity of the wlv and the individual closed ram assemblies and the ram assembly functionality under pressure

bop testing pressure function procedure drilling manual - Sep 19 2023

the purpose of bop stack function and pressure testing is to verify the hydraulic integrity of all the components of the bop stack at their rated working pressure in this article we will discuss the function test and pressure test procedure using cup tester

recommended wpce service and certification schedule nov - Feb 12 2023

all elmar wireline pressure control equipment is certified to be manufactured following api6a specifications to inhibitors for the pressure test the pressure test procedure for each assembly is stated on each assembly drawing equipment is stripped

down rebuilt with new elastomers including bop ram outer seals and quick

api std 53 blowout prevention equipment systems for drilling - Mar 13 2023

aug 12 2015 section 6 2 3 2 2 a advises what the minimum nominal i d for choke lines by pressure rating only for pressure rated systems 10k and above is a 3 in nominal i d choke line required for 4 inch and 7 inch through bore bop equipment no 4 inch up to but not including 7 1 16 inch bore equipment is not addressed in api 53 or api 16a 53

elmar nov - Sep 07 2022

the world s most reliable and durable wireline pressure control equipment our focused approach to engineering and manufacturing results in reliable easy to operate equipment that keeps your teams safe on the wellsite extends the life

exwell oilfield - May 03 2022

email address info exwelloilfield com sales exwelloilfield com get in touch our product pressure control equipment s pce wireline tools

bop pressure testing procedure edc romfor - Jun 16 2023

pressure all bop equipment tests must include a low pressure test of 250 psi before proceeding to the full pressure test test pressure held and recorded for a minimum of five minutes after full pressure has been established represents a satisfactory pressure test ensure rotary bushings are locked if left in place where h2s is present all

wireline bop pressure testing procedure - Jan 31 2022

wireline bop pressure testing procedure april 29th 2018 formation damage is minimized since to the lack of hydrostatic pressure prevents rock cuttings from being injected into the rock matrix extended bit life since the compressed air cools the bit and quickly transports the cuttings away from the drill bit s cutting structure

wireline bop pressure testing procedure dev bambusa no - Apr 02 2022

wireline bop pressure testing procedure 3 3 operating oil and gas companies to be the most hazardous operation they routinely undertake therefore it is of great importance that such operations are extremely well planned and executed this handbook covers all the major operational aspects of oil and gas well testing and uses a structured

bop manual pdf valve personal protective equipment scribd - Jul 05 2022

7 31 body pressure test procedure 1 locate the test plug and test cap on to their appropriate ends 2 bleed off all air within the assembly 3 ensure all external surfaces are dry 4 pressure test to test pressure for 3 minutes 5 reduce pressure to zero and repeat test for 15 minutes minimum no leakage acceptable 7 32 bop manifold test

bop testing procedures drilling formulas - Aug 18 2023

feb 14 2011 1 prior to supping the well or the first time that bop is installed on the well 2 after repairing or disconnecting of any pressure sealing elements of bop 3 as per mms you can use bop for 21 days 3 weeks before you need to test it

bop testing petrowiki - May 15 2023

apr 17 2023 bop test plan bop testing consists of several pressure tests with different valve line ups in order to test all the components of the bop system careful planning is required to ensure all components are tested and in a minimum number of pressure tests in order to ensure efficient execution of drilling operations

wireline bop pressure testing procedure - Mar 01 2022

wireline bop pressure testing procedure rogi form 1 4 date of issue 03 02 2016 april 28th 2018 where required to follow the reporting procedure by regulation 4 during testing immediately prior to for bop stacks indicate the design pressure rating list of abbreviations in oil and gas exploration and

condition based maintenance for bop testing ipt - Dec 10 2022

dec 27 2021 bop testing procedures operators must periodically pressure test and function test bop stack components which decreases efficiency of drilling operations bop pressure tests are performed at regular intervals typically ranging from 14 to 30 days as set by local regulatory bodies

wireline bop wireline valve wincent - Jun 04 2022

a wireline bop must always be installed between the wellhead and wireline lubricators this bop is a piece of pressure control equipment that can close around the wire and seal off the well pressure below it this enables the pressure to be bleed off above it allowing work or repairs to be carried out on equipment above the bop without pulling

wireline intervention pressure control system video slb - Nov 09 2022

jun 23 2021 the wireline intervention pressure control wipc system enables the wireline crew to focus on downhole operations without worrying about surface well integrity the system meets api spec 16b and nace mr0175 simplifying compliance with operator requirements

wireline pressure test units nov - Aug 06 2022

this unit is a pressure test system intended for pressure testing 5 000 10 000 and 15 000 psi rated pressure control equipment to maximum working pressure before performing intervention work the unit is intended for use in atex zone 1 hazardous environments and complies to norsok regulations

irp 13 wireline operations energy safety canada - Jan 11 2023

the scope of irp 13 is to define recommended practices for the selection implementation and maintenance of pressure control equipment for land based wireline operations in canada this includes all types of wireline i e slickline braided line and coated line

madde 1 madde 2 1 bu y m İstanbul - May 05 2022

web İstanbul Üniversitesi diploma yönergesi birinci bölüm amaç kapsam dayanak ve tanımlar amaç madde 1 1 bu

yönergenin amacı İstanbul Üniversitesine bağlı birimlerdeki programlardan mezun olanlar için hazırlanacak önlisans lisans yüksek lisans doktora sanatta

2022 nsc november past papers national department of basic education - Sep 21 2023

web isixhosa sal p1 nov memo download isixhosa sal p1 download isixhosa hl p3 nov memo download isixhosa hl p3 download isixhosa hl p2 nov memo download isixhosa hl p2 download isixhosa hl p1 nov memo download isixhosa hl p1 download isixhosa fal p3 nov memo download isixhosa fal p3 download

life sciences nsc p1 memo sept 2022 eng pdf scribd - May 17 2023

web life sciences nsc p1 memo sept 2022 eng free download as pdf file pdf text file txt or read online for free

[grade 11 nsc past papers memos life sciences physics 101](#) - Oct 10 2022

web dec 23 2021 enjoy the past papers available for download see the downloadable link below for your required past exam paper with the memorandum these past papers are for learners in grade 11 go ahead and click on the following link s below in order to download the required grade 11 nsc past papers memos life sciences grade 11

eĞitim dÖkÜmanlari ministry of health - Sep 09 2022

web sitemizde sizlere daha iyi hizmet verebilmek için gizliliğe uygun şekilde çerezler kullanmaktayız Çerez politikamızı inceleyebilirsiniz

department of education life science p1 memorandum copy - Jun 06 2022

web department of education life science p1 memorandum department of education life science p1 memorandum 4 downloaded from pivotid uvu edu on 2019 05 12 by guest and psychological testing and is appropriate for graduate courses and seminars that deal with test development and usage professional testing services and credentialing agencies

national senior certificate grade 12 how and when - Jul 19 2023

web life sciences p1 2 db e november 2021 nsc marking guidelines memorandum will allocate marks for units separately 16 umalusi moderators and distributed by the national department of basic education via the provinces must be used life sciences p1 4 db e november 2021 nsc marking guidelines

life sciences national department of basic education - Aug 20 2023

web may 25 2018 test your knowledge national senior certificate exam papers 2017 november paper 1 memorandum 2017 november paper 2 memorandum click here for more nsc exam papers senior certificate amended exam papers 2017 june paper 1 memorandum 2017 june paper 2 memorandum click here for more sc a exam

life sciences p1 preparatory examination memorandum - Dec 12 2022

web this memorandum consists of 9 pages national senior certificate grade 12 life sciences p1 preparatory examination memorandum september 2019 education kwazulu natal department of education republic of south africa

gauteng department of education preparatory - Jul 07 2022

web life sciences paper 1 10831 21 3 p t o section a question 1 1 1 various options are provided as possible answers to the following questions choose the correct answer and write only the letter a d next to the question number 1 1 1 to 1 1 8 in the answer book for example 1 1 9 d

nsc june 2018 life sciences p1 memo wced eportal - Jun 18 2023

web jun 24 2020 this is life sciences paper 1 memo for national senior certificate june 2019 grade 12 learners will benefit greatly when using as part of their examination preparation

2019 nsc examination papers national department of basic education - Mar 15 2023

web life sciences memo 1 afrikaans life sciences memo 1 english life sciences memo 2 afrikaans visual arts p1 memo afrikaans examinations grade 12 past exam papers ana exemplars matric results curriculum provincial departments of education government services

eğitim dokümanları ministry of health - Feb 02 2022

web sitemizde sizlere daha iyi hizmet verebilmek için gizliliğe uygun şekilde çerezler kullanmaktayız Çerez politikamızı inceleyebilirsiniz

mol biy ve gen 100 İngilizce ders planı İtÜ Öİdb - Aug 08 2022

web mol biy ve gen 100 İngilizce ders planı 2021 2022 güz dönemi sonrası 1 yarıyıl

examinations north west department of education - Feb 14 2023

web nw nsc gr 11 history p2 eng memo nov 2019 nw nsc gr 11 life sciences p1 afr memo nov 2019 nw nsc gr 11 life sciences p1 eng memo nov 2019 nw nsc gr 11 life sciences p2 afr memo nov 2019 nw nsc gr 11 life sciences p2 eng memo nov 2019 nw nsc gr 11 maths lit p1 afr memo nonv 2019 nw nsc gr 11 maths lit p1 eng memo nov 2019

department of education life science p1 memorandum pdf - Mar 03 2022

web apr 28 2023 department of education life science p1 memorandum is available in our book collection an online access to it is set as public so you can download it instantly our books collection saves in multiple countries allowing you to get the most less latency time to

yÖk ana sayfa - Jan 13 2023

web yÖk ana sayfa

national senior certificate grade 12 national department - Apr 16 2023

web life sciences p1 2 db e november 2019 nsc marking guidelines accept provided it was accepted at the national memo discussion meeting umalusi moderators and distributed by the national department of basic education via the provinces must be used

limpopo life sciences grade 12 sept 2022 p1 and memo - Apr 04 2022

web sep 12 2022 limpopo life sciences grade 12 sept 2022 p1 and memo blg1501 studocu science downloaded from stanmorephysics com ick ae vi po po provincial government republic of south africa department of education life sciences paper skip to document university high school books ask ai sign in guest useradd your

life sciences grade 10 past exam papers and memos pdf - Nov 11 2022

web sep 9 2022 the department of basic education has released the grade 10 life sciences past exam papers and memos we have made them available for download below the papers and memos have been made available by the department in order to help learners prepare for their exams