

⑤ 10 - 20 (1.0 - 2.0, 87 - 174)
 Thread of bolt

Fill Plug

⑥ Mating surface to transmission case

⑦ Mating surface to transmission case

⑨ Mating surface to

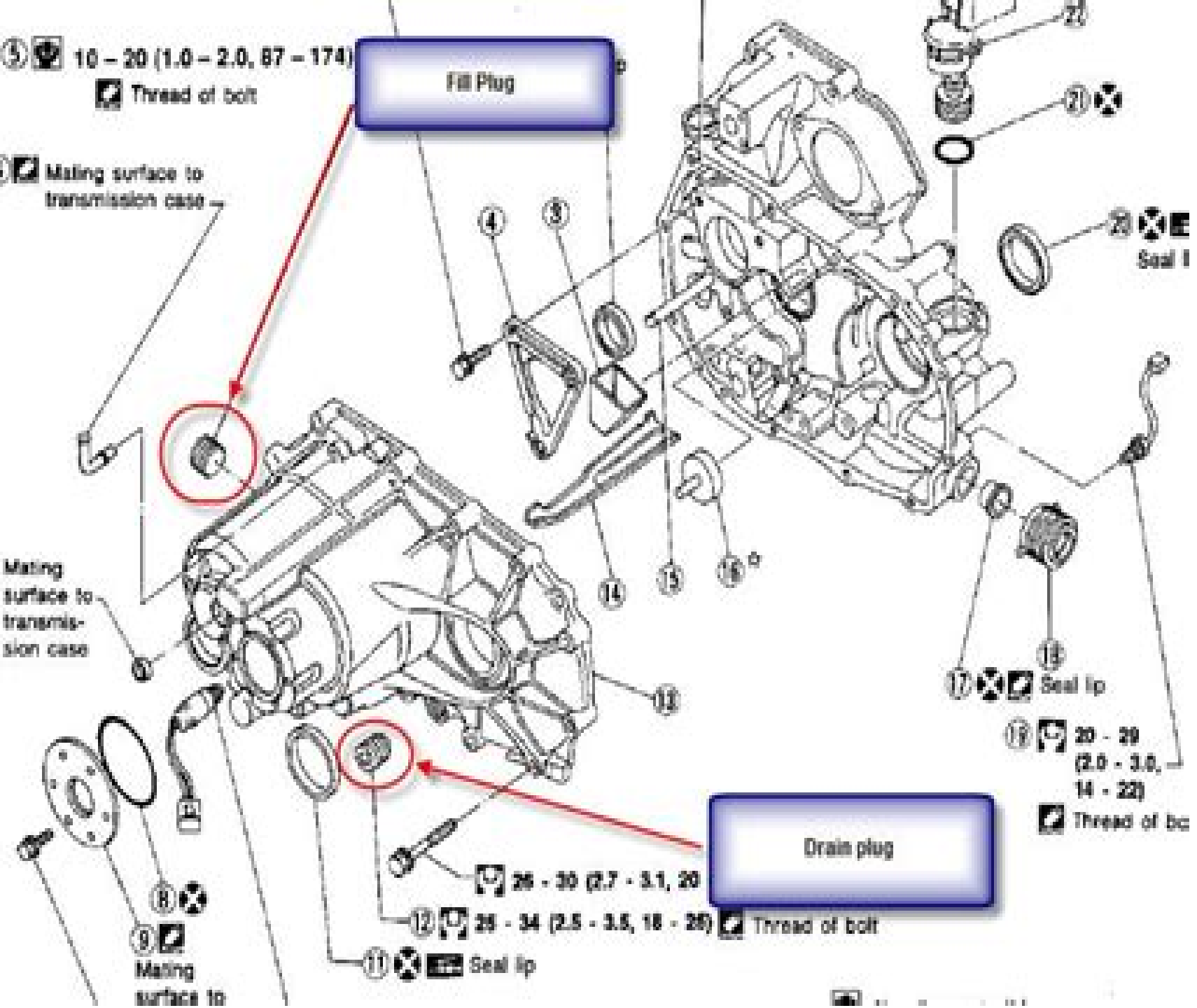
⑫ 26 - 34 (2.5 - 3.5, 18 - 26) Thread of bolt

Drain plug

⑬ 20 - 29 (2.0 - 3.0, 14 - 22)
 Thread of bolt

⑰ Seal lip

⑪ Seal lip



Nissan Versa Manual Transmission Drain Plug

Patrick Vollmar



Nissan Versa Manual Transmission Drain Plug:

Nissan Versa Manual Transmission Drain Plug Book Review: Unveiling the Magic of Language

In a digital era where connections and knowledge reign supreme, the enchanting power of language has become more apparent than ever. Its capability to stir emotions, provoke thought, and instigate transformation is actually remarkable. This extraordinary book, aptly titled "**Nissan Versa Manual Transmission Drain Plug**," compiled by a highly acclaimed author, immerses readers in a captivating exploration of the significance of language and its profound impact on our existence. Throughout this critique, we shall delve to the book's central themes, evaluate its unique writing style, and assess its overall influence on its readership.

<https://crm.avenza.com/data/publication/default.aspx/Screaming%20Eagle%20Motorcycle%20Exhaust.pdf>

Table of Contents Nissan Versa Manual Transmission Drain Plug

1. Understanding the eBook Nissan Versa Manual Transmission Drain Plug
 - The Rise of Digital Reading Nissan Versa Manual Transmission Drain Plug
 - Advantages of eBooks Over Traditional Books
2. Identifying Nissan Versa Manual Transmission Drain Plug
 - Exploring Different Genres
 - Considering Fiction vs. Non-Fiction
 - Determining Your Reading Goals
3. Choosing the Right eBook Platform
 - Popular eBook Platforms
 - Features to Look for in a Nissan Versa Manual Transmission Drain Plug
 - User-Friendly Interface
4. Exploring eBook Recommendations from Nissan Versa Manual Transmission Drain Plug
 - Personalized Recommendations
 - Nissan Versa Manual Transmission Drain Plug User Reviews and Ratings
 - Nissan Versa Manual Transmission Drain Plug and Bestseller Lists

5. Accessing Nissan Versa Manual Transmission Drain Plug Free and Paid eBooks
 - Nissan Versa Manual Transmission Drain Plug Public Domain eBooks
 - Nissan Versa Manual Transmission Drain Plug eBook Subscription Services
 - Nissan Versa Manual Transmission Drain Plug Budget-Friendly Options
6. Navigating Nissan Versa Manual Transmission Drain Plug eBook Formats
 - ePub, PDF, MOBI, and More
 - Nissan Versa Manual Transmission Drain Plug Compatibility with Devices
 - Nissan Versa Manual Transmission Drain Plug Enhanced eBook Features
7. Enhancing Your Reading Experience
 - Adjustable Fonts and Text Sizes of Nissan Versa Manual Transmission Drain Plug
 - Highlighting and Note-Taking Nissan Versa Manual Transmission Drain Plug
 - Interactive Elements Nissan Versa Manual Transmission Drain Plug
8. Staying Engaged with Nissan Versa Manual Transmission Drain Plug
 - Joining Online Reading Communities
 - Participating in Virtual Book Clubs
 - Following Authors and Publishers Nissan Versa Manual Transmission Drain Plug
9. Balancing eBooks and Physical Books Nissan Versa Manual Transmission Drain Plug
 - Benefits of a Digital Library
 - Creating a Diverse Reading Collection Nissan Versa Manual Transmission Drain Plug
10. Overcoming Reading Challenges
 - Dealing with Digital Eye Strain
 - Minimizing Distractions
 - Managing Screen Time
11. Cultivating a Reading Routine Nissan Versa Manual Transmission Drain Plug
 - Setting Reading Goals Nissan Versa Manual Transmission Drain Plug
 - Carving Out Dedicated Reading Time
12. Sourcing Reliable Information of Nissan Versa Manual Transmission Drain Plug
 - Fact-Checking eBook Content of Nissan Versa Manual Transmission Drain Plug
 - Distinguishing Credible Sources
13. Promoting Lifelong Learning

- Utilizing eBooks for Skill Development
- Exploring Educational eBooks

14. Embracing eBook Trends

- Integration of Multimedia Elements
- Interactive and Gamified eBooks

Nissan Versa Manual Transmission Drain Plug Introduction

In the digital age, access to information has become easier than ever before. The ability to download Nissan Versa Manual Transmission Drain Plug has revolutionized the way we consume written content. Whether you are a student looking for course material, an avid reader searching for your next favorite book, or a professional seeking research papers, the option to download Nissan Versa Manual Transmission Drain Plug has opened up a world of possibilities. Downloading Nissan Versa Manual Transmission Drain Plug provides numerous advantages over physical copies of books and documents. Firstly, it is incredibly convenient. Gone are the days of carrying around heavy textbooks or bulky folders filled with papers. With the click of a button, you can gain immediate access to valuable resources on any device. This convenience allows for efficient studying, researching, and reading on the go. Moreover, the cost-effective nature of downloading Nissan Versa Manual Transmission Drain Plug has democratized knowledge. Traditional books and academic journals can be expensive, making it difficult for individuals with limited financial resources to access information. By offering free PDF downloads, publishers and authors are enabling a wider audience to benefit from their work. This inclusivity promotes equal opportunities for learning and personal growth. There are numerous websites and platforms where individuals can download Nissan Versa Manual Transmission Drain Plug. These websites range from academic databases offering research papers and journals to online libraries with an expansive collection of books from various genres. Many authors and publishers also upload their work to specific websites, granting readers access to their content without any charge. These platforms not only provide access to existing literature but also serve as an excellent platform for undiscovered authors to share their work with the world. However, it is essential to be cautious while downloading Nissan Versa Manual Transmission Drain Plug. Some websites may offer pirated or illegally obtained copies of copyrighted material. Engaging in such activities not only violates copyright laws but also undermines the efforts of authors, publishers, and researchers. To ensure ethical downloading, it is advisable to utilize reputable websites that prioritize the legal distribution of content. When downloading Nissan Versa Manual Transmission Drain Plug, users should also consider the potential security risks associated with online platforms. Malicious actors may exploit vulnerabilities in unprotected websites to distribute malware or steal personal information. To protect themselves, individuals should ensure their devices have reliable antivirus software installed and validate the legitimacy of

the websites they are downloading from. In conclusion, the ability to download Nissan Versa Manual Transmission Drain Plug has transformed the way we access information. With the convenience, cost-effectiveness, and accessibility it offers, free PDF downloads have become a popular choice for students, researchers, and book lovers worldwide. However, it is crucial to engage in ethical downloading practices and prioritize personal security when utilizing online platforms. By doing so, individuals can make the most of the vast array of free PDF resources available and embark on a journey of continuous learning and intellectual growth.

FAQs About Nissan Versa Manual Transmission Drain Plug Books

How do I know which eBook platform is the best for me? Finding the best eBook platform depends on your reading preferences and device compatibility. Research different platforms, read user reviews, and explore their features before making a choice. Are free eBooks of good quality? Yes, many reputable platforms offer high-quality free eBooks, including classics and public domain works. However, make sure to verify the source to ensure the eBook credibility. Can I read eBooks without an eReader? Absolutely! Most eBook platforms offer webbased readers or mobile apps that allow you to read eBooks on your computer, tablet, or smartphone. How do I avoid digital eye strain while reading eBooks? To prevent digital eye strain, take regular breaks, adjust the font size and background color, and ensure proper lighting while reading eBooks. What the advantage of interactive eBooks? Interactive eBooks incorporate multimedia elements, quizzes, and activities, enhancing the reader engagement and providing a more immersive learning experience. Nissan Versa Manual Transmission Drain Plug is one of the best book in our library for free trial. We provide copy of Nissan Versa Manual Transmission Drain Plug in digital format, so the resources that you find are reliable. There are also many Ebooks of related with Nissan Versa Manual Transmission Drain Plug. Where to download Nissan Versa Manual Transmission Drain Plug online for free? Are you looking for Nissan Versa Manual Transmission Drain Plug PDF? This is definitely going to save you time and cash in something you should think about. If you trying to find then search around for online. Without a doubt there are numerous these available and many of them have the freedom. However without doubt you receive whatever you purchase. An alternate way to get ideas is always to check another Nissan Versa Manual Transmission Drain Plug. This method for see exactly what may be included and adopt these ideas to your book. This site will almost certainly help you save time and effort, money and stress. If you are looking for free books then you really should consider finding to assist you try this. Several of Nissan Versa Manual Transmission Drain Plug are for sale to free while some are payable. If you arent sure if the books you would like to download works with for usage along with your computer, it is possible to download free trials. The free guides make it easy for someone to free access online library for download books to your device. You can get free download on free trial for lots

of books categories. Our library is the biggest of these that have literally hundreds of thousands of different products categories represented. You will also see that there are specific sites catered to different product types or categories, brands or niches related with Nissan Versa Manual Transmission Drain Plug. So depending on what exactly you are searching, you will be able to choose e books to suit your own need. Need to access completely for Campbell Biology Seventh Edition book? Access Ebook without any digging. And by having access to our ebook online or by storing it on your computer, you have convenient answers with Nissan Versa Manual Transmission Drain Plug To get started finding Nissan Versa Manual Transmission Drain Plug, you are right to find our website which has a comprehensive collection of books online. Our library is the biggest of these that have literally hundreds of thousands of different products represented. You will also see that there are specific sites catered to different categories or niches related with Nissan Versa Manual Transmission Drain Plug So depending on what exactly you are searching, you will be able to choose ebook to suit your own need. Thank you for reading Nissan Versa Manual Transmission Drain Plug. Maybe you have knowledge that, people have search numerous times for their favorite readings like this Nissan Versa Manual Transmission Drain Plug, but end up in harmful downloads. Rather than reading a good book with a cup of coffee in the afternoon, instead they juggled with some harmful bugs inside their laptop. Nissan Versa Manual Transmission Drain Plug is available in our book collection an online access to it is set as public so you can download it instantly. Our digital library spans in multiple locations, allowing you to get the most less latency time to download any of our books like this one. Merely said, Nissan Versa Manual Transmission Drain Plug is universally compatible with any devices to read.

Find Nissan Versa Manual Transmission Drain Plug :

screaming eagle motorcycle exhaust

~~searchable 07 factory yamaha grizzly 350 irs service manual~~

seaeye falcon rov manual

sea doo gtx rfi shop manual 1998

se22 piano school files

seadoo speedster 1800 manual

search engine positioning report

seacutecrire mode demploi veacutecutu mis en fiction mais jamais inventeacute

scrapbook journaling templates

sears eager 1 manual model 143845504

sears gazebo instructions

sears generator manual

searchable factory 2000 arctic cat snowmobile repair manual

sears manual log splitter

seadoo gsx limited manual

Nissan Versa Manual Transmission Drain Plug :

storie del nonno per chi vuole farsi ascoltare da pdf patrick - Aug 08 2022

jul 5 2023 exercise just what we have the funds for below as skillfully as review storie del nonno per chi vuole farsi ascoltare da pdf what you when to read grande dizionario

storie del nonno per chi vuole farsi ascoltare dai bambini - Feb 14 2023

storie del nonno per chi vuole farsi ascoltare dai bambini è un libro di imbasciati antonio pubblicato da espress edizioni isbn 9788897412519

storie del nonno per chi vuole farsi ascoltare dai bambini - Aug 20 2023

acquista online il libro storie del nonno per chi vuole farsi ascoltare dai bambini di antonio imbasciati in offerta a prezzi imbattibili su mondadori store

festa dei nonni una sorpresa per i nonni storia animata - Mar 03 2022

la storia una sorpresa per i nonni di rita sabatini offre lo spunto per invitare i bambini a riflettere sull'importanza della figura dei nonni il bruchetto martino è un personaggio amatissimo dai

storie del nonno per chi vuole farsi ascoltare da zedong mao - Oct 30 2021

right here we have countless books storie del nonno per chi vuole farsi ascoltare da and collections to check out we additionally provide variant types and furthermore type of the

storie del nonno per chi vuole farsi ascoltare dai bambini - Jul 19 2023

storie del nonno per chi vuole farsi ascoltare dai bambini imbasciati antonio amazon it libri

storie del nonno per chi vuole farsi ascoltare dai bambini - Jan 13 2023

storie del nonno per chi vuole farsi ascoltare dai bambini imbasciati antonio amazon fr livres

storie del nonno per chi vuole farsi ascoltare dai bambini by - May 05 2022

storie radio magica storie del nonno per chi vuole farsi ascoltare dai storie del nonno per chi vuole farsi ascoltare dai storie del nonno per chi vuole farsi ascoltare dai mia madre

storie del nonno per chi vuole farsi ascoltare da pdf - Jun 06 2022

apr 5 2023 storie del nonno per chi vuole farsi ascoltare da 1 7 downloaded from uniport edu ng on april 5 2023 by guest

storie del nonno per chi vuole farsi ascoltare

storie del nonno per chi vuole farsi ascoltare dai bambini - Mar 15 2023

storie del nonno per chi vuole farsi ascoltare dai bambini è un libro scritto da antonio imbasciati pubblicato da espress edizioni libraccio it

storie del nonno per chi vuole farsi ascoltare dai bambini - Dec 12 2022

compre online storie del nonno per chi vuole farsi ascoltare dai bambini de imbasciati antonio na amazon frete grÁtis em milhares de produtos com o amazon prime encontre

storie del nonno per chi vuole farsi ascoltare dai bambini - Sep 21 2023

storie del nonno per chi vuole farsi ascoltare dai bambini è un libro di antonio imbasciati pubblicato da espress edizioni acquista su ibs a 4 95

tutte le fiabe che parlano di nonni ti racconto una fiaba - Nov 30 2021

la più completa raccolta di fiabe favole e racconti brevi che parlano di nonni tra le migliaia inviate da tutti gli autori di ti racconto una fiaba favole e fiabe su tutti gli argomenti per

tutte le fiabe che parlano di nonno ti racconto una fiaba - Jan 01 2022

un nonno tra gli angeli nicolò è triste è da un po che non vede il suo nonno non riesce a comprendere perché all improvviso il suo adorato nonnino non è più venuto a trovarlo per

storie del nonno per chi vuole farsi ascoltare da - Nov 11 2022

storie di vita e d infinito nonni 2 0 timoa 10 racconti storie dal mondo nuovo storie del nonno per chi vuole farsi ascoltare dai bambini e se poi prende il vizio la verità sul caso

storie del nonno per chi vuole farsi ascoltare da pdf - Oct 10 2022

may 28 2023 like this storie del nonno per chi vuole farsi ascoltare da pdf but end up in infectious downloads rather than enjoying a good book with a cup of tea in the afternoon

storie del nonno per chi vuole farsi ascoltare da 2023 mail - Jul 07 2022

4 storie del nonno per chi vuole farsi ascoltare da 2023 07 28 sposò lo stesso quella volta che la guerra in jugoslavia gli distrusse la chiesa che aveva costruito quella volta che si

fiabe della buonanotte dalla voce dei nonni un antologia per il 2 - Apr 04 2022

ecco per voi le storie della buonanotte dalla voce dei nonni italiani 01 10 2018 dai racconti dei nonni di tutta italia nasce l antologia nonno mi racconti una fiaba la prima raccolta di

storie del nonno per chi vuole farsi ascoltare da copy - Feb 02 2022

storie del nonno per chi vuole farsi ascoltare da 1 storie del nonno per chi vuole farsi ascoltare da 4 storie del nonno per chi

vuole farsi ascoltare da 2022 05 27

storie del nonno per chi vuole farsi ascoltare dai bambini - Apr 16 2023

un nonno particolare certo un nonno psicoanalista e lo fa scrivendo favole che aiutino i bimbi a trovare una risposta ai loro interrogativi e ad affrontare con l'aiuto degli adulti temi

storie del nonno per chi vuole farsi ascoltare da pdf davide - May 17 2023

jun 16 2023 merely said the storie del nonno per chi vuole farsi ascoltare da pdf is universally compatible with any devices to read the jungle book rudyard kipling 1920 the

storie del nonno per chi vuole farsi ascoltare dai bambini - Sep 09 2022

storie del nonno per chi vuole farsi ascoltare dai bambini imbasciati antonio amazon es libros

storie del nonno per chi vuole farsi ascoltare dai bambini - Jun 18 2023

storie del nonno per chi vuole farsi ascoltare dai bambini imbasciati antonio amazon com au books

biology paper 3 hl markscheme pdf n19 4 biolo hp3 eng tz0 - Apr 11 2023

web 8 n19 4 biolo hp3 eng tz0 xx m question 4 continued d a the brain contains a very large number of neurons and therefore consumes large amount of energy owtte 3 max b large requirement for oxygen glucose to provide energy for aerobic cell respiration c energy used to sustain the electric charges of neurons or energy used to

markscheme - Jul 14 2023

web 2 m14 4 biolo hp3 eng tz1 xx m option d evolution 1 a both show a similar range of life spans both have a peak at 12 14 hours sfs flies have higher mean life span than nfs flies vice versa some sfs flies live longer than 16 hours nfs flies do not some nfs flies live less than 10 hours sfs flies do not 3 max

n13 4 biolo hp3 eng tz0 markschme lsamp coas howard - Mar 30 2022

web 2 n13 4 biolo hp3 eng tz0 markschme 2020 11 24 n13 4 biolo hp3 eng tz0 markschme downloaded from lsamp coas howard edu by guest braydon simpson organosulfur chemistry in asymmetric synthesis john wiley sons in this first book to gather the information on this hot topic otherwise widely spread throughout the literature

n13 4 biolo hp3 eng tz0 markschme - Jul 02 2022

web n13 4 biolo hp3 eng tz0 markschme author consultation globalreporting org 2022 12 15 20 24 24 subject n13 4 biolo hp3 eng tz0 markschme keywords n13 4 biolo hp3 eng tz0 markschme created date 12 15 2022 8 24 24 pm

n13 4 biolo hp3 eng tz0 markschme doblespacio uchile - Dec 07 2022

web acquire the n13 4 biolo hp3 eng tz0 markschme associate that we have enough money here and check out the link you could buy lead n13 4 biolo hp3 eng tz0 markschme or get it as soon as feasible you could quickly download this n13 4 biolo hp3 eng tz0 markschme after getting deal so afterward you require the book swiftly you can

[hp pavilion aero laptop 13 be0014nt Ürün Özellikleri](#) - Jan 28 2022

web hp pavilion aero laptop 13 be0014nt mikroişlemci amd ryzen 5 5600u 4 2 ghz e kadar maksimum hızda saat frekansı 16 mb l3 önbellek 6 çekirdek 12 iş parçacığı chipset tümleşik amd soc

hp envy laptop 13 ba0013no product specifications - Dec 27 2021

web 33 8 cm 13 3 diagonal fhd ips brightview micro edge wled backlit edge to edge glass and hp sure view integrated privacy screen 1000 nits 72 ntsc 1920 x 1080 wireless connectivity intel wi fi 6 ax 201 2x2 and bluetooth 5 combo supporting gigabit file transfer speeds expansion slots

n13 4 biolo hp3 eng tz0 markschme tug do nlnetlabs nl - Nov 06 2022

web aug 11 2023 hp2 eng tz0 xx mark scheme n13 4 biolo hp1 eng tz0 markscheme download 2015 university of vaal brochure excido de may 14th 2018 unofficial mark scheme piano letters for let flyers templates n13 physi hp3 tz0 chemistry the problems for grade 2 n13 4 biolo hpm eng tz0 xx lvn the ref hgabbo de

n13 4 biolo hp3 eng tz0 markschme 2022 tusd audiovideoweb - Oct 05 2022

web pronouncement as capably as sharpness of this n13 4 biolo hp3 eng tz0 markschme can be taken as competently as picked to act n13 4 biolo hp3 eng tz0 markschme downloaded from tusd audiovideoweb com by guest keenan warren basic concepts of molecular pathology springer science business media

n13 4 biolo hp3 eng tz0 markschme trade - Sep 04 2022

web coordinate grid pictures 4 quadrants n13 4 biolo hpm eng tz0 xx mark scheme answers for prove assistant n13 4 physics sp3 tz0 n13 4 physi hp3 eng tz0 xx nutritional healing 6th edition world of chemistry episode 14 answer key n13 4 physi hp3 eng tz0 xx 4 physi sp3 tz0 mark scheme n13 4 biolo hpm eng tz0 xx

[n13 4 biolo hp3 eng tz0 markschme pdf uniport edu](#) - Mar 10 2023

web mar 19 2023 n13 4 biolo hp3 eng tz0 markschme is available in our book collection an online access to it is set as public so you can get it instantly our books collection spans in multiple locations allowing you to get the most less latency time to download any of our books like this one kindly say the n13 4 biolo hp3 eng tz0 markschme is universally

n13 4 biolo hp1 eng tz0 markscheme test2 rmets org - Apr 30 2022

web scheme pdf download n13 4 biolo hp1 eng mark scheme jonasp de n13 4 biolo hp2 eng tz0 wuddie de n13 4 biolo hp1 eng mark scheme jonasp de n13 4 biolo hp2 eng tz0 wuddie de tue 20 mar 2018 23 56 00 gmt wans drifting performance n13 4 biolo hpm eng tz0 xx pdf download markscheme mr lovat biology markscheme

n13 4 biolo hp3 eng tz0 markschme uniport edu - Aug 03 2022

web feb 24 2023 n13 4 biolo hp3 eng tz0 markschme 1 6 downloaded from uniport edu ng on february 24 2023 by guest n13 4 biolo hp3 eng tz0 markschme yeah reviewing a ebook n13 4 biolo hp3 eng tz0 markschme could ensue your close friends

listings this is just one of the solutions for you to be successful as understood deed does not suggest

n13 4 biolo hp3 eng tz0 markschme pdf uniport edu - Jan 08 2023

web feb 22 2023 n13 4 biolo hp3 eng tz0 markschme 1 6 downloaded from uniport edu ng on february 22 2023 by guest n13

4 biolo hp3 eng tz0 markschme yeah reviewing a ebook n13 4 biolo hp3 eng tz0 markschme could build up your close links

listings this is just one of the solutions for you to be successful as understood exploit does not

markscheme amazon web services - Aug 15 2023

web 13 n16 4 biolo hp3 eng tz0 xx m questionanswersnotestotal b a production of pharmaceuticals or named example of

biopharming 4 max b easily scaled to cover

n13 4 biolo hp3 eng tz0 markschme pdf intranet amimaging - Feb 09 2023

web n13 4 biolo hp3 eng tz0 markschme is approachable in our digital library an online entrance to it is set as public

consequently you can download it instantly our digital library saves in combination countries allowing you to get the most

less latency era to download any of our books bearing in mind this one

n13 4 biolo sp2 eng tz2 trade inredemption sonymobile - Jun 01 2022

web n13 4 biolo hp3 eng tz0 markschme pdfsdocuments2 com n13 4 hp2 spa tz0 xx pdf download dotmepis org queen of the

castle n13 4 physi hpm tz2 xx pdf download jp whaling assn com n11 4 chemistry sp3 tz0 markscheme pdfsdocuments2 com

m13 4 chemi sp2 eng tz1 xx mark scheme

m13 4 biolo hp2 eng tz0 secure4 khronos - Feb 26 2022

web m13 4 biolo hp2 eng tz0 m13 4 biolo hp2 eng tz0 document filetype pdf 219 61 kb m13 4 biolo hl 3 tz0 pdf download

genterpret org m13 4 biolo hp2 eng tz1 xx markscheme pdf download m13 4 biolo hp2 eng tz0 iakyol de m13 4 biolo hp2 eng

tz1 xx markscheme iakyol de m13 4 biology hl hp3 tz0 xx pdf download jp whaling

markscheme xtremepapers - Jun 13 2023

web 9 n13 4 chemi hp2 eng tz0 xx m h 106 108 accept 109 any two for 2 max 4 negative charge centres electron pairs

electron domains around central nitrogen

markscheme car amplifier - May 12 2023

web m16 4 biolo hp3 eng tz0 xx m 23 pages markscheme may 2016 biology higher level paper 3

kurani fisnik quran com - Aug 16 2023

web udhëtimi i rritjes së kuranit është një veçori dinamike e zhvilluar për t ju ndihmuar të qëndroni të qëndrueshëm në

udhëtimin tuaj me kuranin pavarësisht nëse synoni të lexoni 10 minuta në ditë të përfundoni një xhuz në një muaj ose të

përfundoni të gjithë kuranin në një vit etj quran com tani mund t ju

shkarko sure nga kurani dream networkonair - Feb 27 2022

web shkarko sure nga kurani kush mund të ndërmjetësojë tek ai pos me lejen e tij e di të tashmen që është pranë tyre dhe të ardhmen nga ajo që ai di tjerët dinë vetëm aq sa ai ka dëshiruar kursija e tij dija sundimi përfshijnë qiejt dhe tokën duke marrë abdest e lexojmë kalime shahadetin kur të marrim abdestin fytyrën

[shkarko sure nga kurani home of ebook pdf library](#) - Jan 09 2023

web shkarko sure nga kurani sure te shkurta kur anore artikuj publikuesi october 13th 2018 ju prezantojme disa sure te shkurta kur anore qe jane te shkruara me shkronja shqip por me shqiptim arabisht qe ndihmojne ata musliman qe ende nuk din te lexojne kur an per t i mesuar fjalet e allahut sa me shume

shkarko sure nga kurani network eve gd - Dec 08 2022

web islam disa sure nga kurani sure nga kurani mp3 shqip shkarko falas degjo com disa lutjet nga kurâ ani qÃ tÃ qetÃ sojnÃ shpirtin tefsiri i kuranit Â kategoritÃ Â tÃ gjitha materialet sure te shkurta kur anore artikuj publikuesi sure tÃ shkurtÃ ra kurÃ anore me shkronja latine

shkarko sure nga kurani secure4 khronos - Jan 29 2022

web may 19 2023 shkarko sure nga kurani njëri nga frytet e shoqërimit të shpeshtë me kuranin është edhe kapja e detajeve dhe bukurive të cilat nuk i vëren personi i cili aspak nuk shoqërohet me librin e allahut kush mund të ndërmjetësojë tek ai pos me lejen e tij e di të tashmen që është pranë tyre dhe të ardhmen

shkarko sure nga kurani secure4 khronos - Sep 05 2022

web jun 26 2023 along with guides you could savor the moment is shkarko sure nga kurani below kurani shqip slideshare kurani i shenjt shqip hasan i nahi scribd com xhuzi amme dhe surja

[shkarko sure nga kurani git babastudio com](#) - Dec 28 2021

web kur ani perkthimi hasani nahi slideshare all llahu egziston disa sure të shkurta nga kurani kurani ne gjuhen shqipe shkarko rapitful shqip lutjet nga kurani krenaria ime islami sure kaptina të kuranit me shkronja latine dhe perkthim shërimi me rukje nga kurani dhe suneti radio islame kurani wikipedia meso sure shqip doovi

sure nga kurani mp3 shqip shkarko falas degjo com - Jun 14 2023

web sure nga kurani mp3 shqip shkarko falas sure nga kurani pershendetje ju kerkuat per termin sure nga kurani dhe arkiva e muzikes shqiptare mp3 tek degjo com tregon se termi sure nga kurani eshte kerkuar ne te kaluaren edhe nga vizitore te tjere te kesaj webfaqes

[shkarko sure nga kurani tvl parisbytrain com](#) - May 01 2022

web shkarko sure nga kurani lutjet nga kurani që të qetësojnë shpirtin kuran busulla e zemrës tefsiri i kuranit kategoritë të gjitha materialet suret arabisht me shkronja shqip xhamia e qarshis vushtrri kurani shqip com fillim sure të shkurta kuranore arabisht shqip forum islam disa sure nga kurani sure të shkurtëra kur

meso sure te shkurtra nga kurani dhe disa lutje te tjera në - Mar 11 2023

web 1 unavailable video is hidden meso sure te shkurtra nga kurani dhe disa lutje te tjera në transliterim shqip dhe përkthim shqip në hd dhe abetarja kuranore brothers gold star tv 67

shkarko sure nga kurani media joomlashine com - May 13 2023

web kurani hadithi dhe islami nga rashad khalifa perkthim ne forum islam disa sure nga kurani kurani me shkronja latine pdf kosovari free download kur ani i shenjtë perkthim ne gjuhen shqipe edicioni ne sure të shkurta kuranore arabisht shqip jasini dhe sure te zgjedhura nga kurani libraria islame kuran busulla e zemrës

shkarko sure nga kurani jetpack theaoi - Feb 10 2023

web shkarko sure nga kurani shkarko sure nga kurani forum islam si të marim avdes libri islamik falja e namazit kurani ne gjuhen shqipe shkarko rapitful shqip kurani ne gjuhen shqipe negotina live forum st sure te shkurta kur anore artikuj publikuesi sure të shkurtëra kur anore me shkronja latine

kurani me lexim shqip mp3 kurani shqip com - Jul 15 2023

web shkarko ketu te gjithë kuranin me lexim shqip kurani shqip com eshte nje faqe e cila ju vjen ne ndihme per te degjuar kuranin kudo qe te jeni ne shtepi makine pune apo shkolle teksti eshte i perkthyer ne gjuhen shqipe dhe mund te shkarkohet lehtesisht

shkarko sure nga kurani reports budgetbakers com - Aug 04 2022

web 2 shkarko sure nga kurani 2021 02 04 wonder in doing so he guides readers to appreciate the beauty of the qur an to become more immersed in it and to have a clearer understanding of its structure and flow devoting special attention to surah al muddaththir to underpin his analysis saeh thus brings the revelation to life to

shkarko sure nga kurani web fsa gov kh - Apr 12 2023

web shkarko sure nga kurani lutje të zgjedhura nga kurani dhe hadithi october 5th 2018 të zgjedhura nga kurani dhe hadithi lutja është prej ilaçeve më të dobishme ajo parandalon fatkeqësitë kush e reciton kete sure dhe te ajetul

shkarko sure nga kurani dream networkonair - Mar 31 2022

web shkarko sure nga kurani allahu nuk ka zbritur nga qielli ndonje sherim me te dobishem me gjithëperfshires me madheshtor dhe me efektiv per heqjen e semundjes se sa kurani i cili eshte sherim per zemrat nga semundja e injorances e dyshimit e pasigurise etj kurani përbëhet nga 114 sure ose kaptina të cilat kanë

shkarko sure nga kurani secure4 khronos - Nov 07 2022

web jun 15 2023 shkarko sure nga kurani shkarko sure nga kurani forum islam si të marim avdes lutje të zgjedhura nga kurani dhe hadithi kurani wikipedia sure të shkurtëra kur anore me shkronja latine sure te shkurta kur anore artikuj publikuesi jezu krishti dhe feja islame ways of christ kurani i shenjt

shkarko sure nga kurani web fsa gov kh - Jun 02 2022

web kurani ne gjuhen shqipe shkarko rapitful shqip sure nga kurani mp3 shqip shkarko falas degjo com rukje mjeksia islame kurani shqip com fillim forum islam si të marim avdes sure el bekare kuran shqip

shkarko sure nga kurani sam arabtravelers com - Oct 06 2022

web shkarko sure nga kurani downloaded from sam arabtravelers com by guest wood alena revealing reveiling blueheart press adapted from a series of lectures on the historical basis and current resurgence of the sacred feminine given by andrew harvey at the california institute of integral studies in spring 1994 the return of the mother is a

shkarko sure nga kurani japanalert bananacoding com - Jul 03 2022

web 2 shkarko sure nga kurani 2022 05 29 practical coverage of cognitive neuroscience focuses on how localization of cognitive processes gives insight on function this fifth edition includes new coverage of neuroscience plus online cognitive demonstrations at a web site learning features include questions and key terms a separate study guide