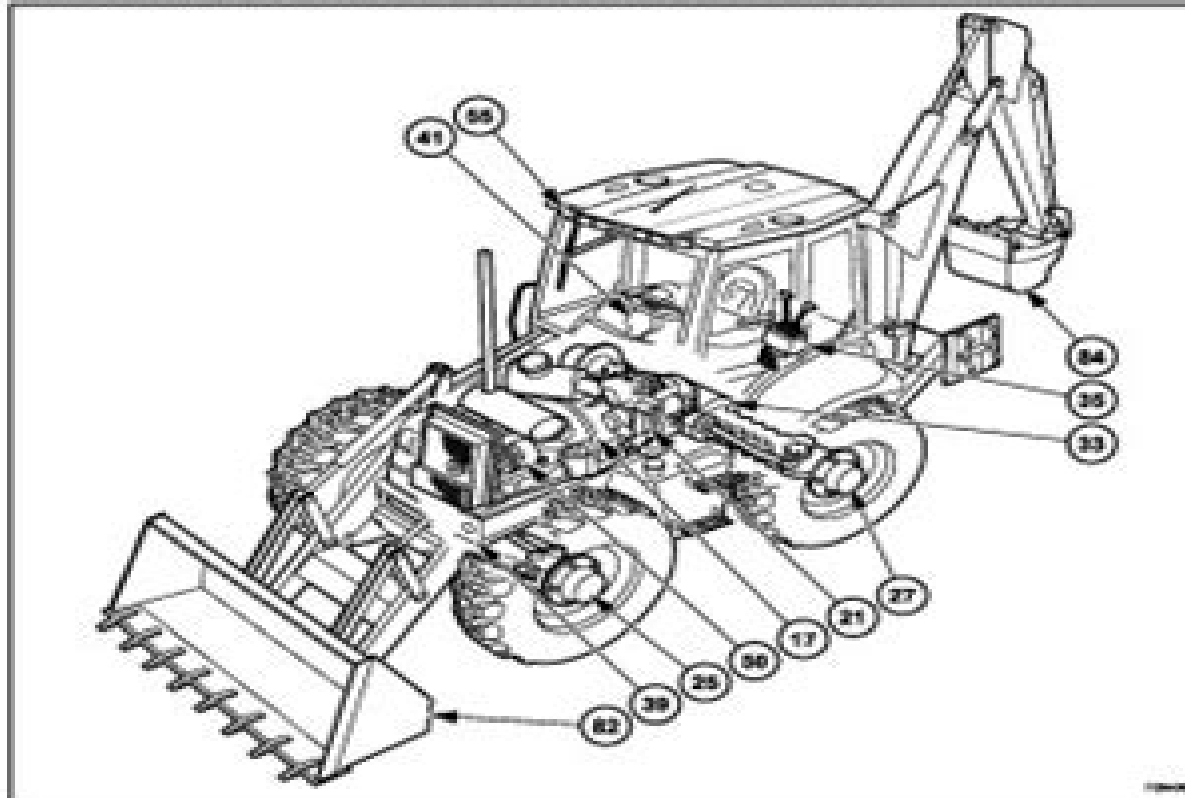


SECTIONS INDEX

Where disassembly of a specific component is required refer to the relevant repair manual section.



SECTION 17: TORQUE CONVERTER

SECTION 21: TRANSMISSION

SECTION 25: FRONT AXLE

SECTION 27: REAR AXLE

SECTION 33: BRAKE SYSTEM

SECTION 35: HYDRAULIC SYSTEM

SECTION 39: CHASSIS

SECTION 41: STEERING SYSTEM

SECTION 50: CAB HEATING AND AIR CONDITIONING

SECTION 53: ELECTRICAL SYSTEM

SECTION 52: LOADER

SECTION 54: BACKHOE

New Holland Loader Backhoe Service Manual

Victor M. Corman



New Holland Loader Backhoe Service Manual:

Immerse yourself in heartwarming tales of love and emotion with Explore Love with its touching creation, Tender Moments: **New Holland Loader Backhoe Service Manual** . This emotionally charged ebook, available for download in a PDF format (Download in PDF: *), is a celebration of love in all its forms. Download now and let the warmth of these stories envelop your heart.

<https://crm.avenza.com/data/detail/default.aspx/Prescott%20Microbiology%209th%20Edition%20Spoon%20Com.pdf>

Table of Contents New Holland Loader Backhoe Service Manual

1. Understanding the eBook New Holland Loader Backhoe Service Manual
 - The Rise of Digital Reading New Holland Loader Backhoe Service Manual
 - Advantages of eBooks Over Traditional Books
2. Identifying New Holland Loader Backhoe Service Manual
 - Exploring Different Genres
 - Considering Fiction vs. Non-Fiction
 - Determining Your Reading Goals
3. Choosing the Right eBook Platform
 - Popular eBook Platforms
 - Features to Look for in a New Holland Loader Backhoe Service Manual
 - User-Friendly Interface
4. Exploring eBook Recommendations from New Holland Loader Backhoe Service Manual
 - Personalized Recommendations
 - New Holland Loader Backhoe Service Manual User Reviews and Ratings
 - New Holland Loader Backhoe Service Manual and Bestseller Lists
5. Accessing New Holland Loader Backhoe Service Manual Free and Paid eBooks
 - New Holland Loader Backhoe Service Manual Public Domain eBooks
 - New Holland Loader Backhoe Service Manual eBook Subscription Services
 - New Holland Loader Backhoe Service Manual Budget-Friendly Options

6. Navigating New Holland Loader Backhoe Service Manual eBook Formats
 - ePub, PDF, MOBI, and More
 - New Holland Loader Backhoe Service Manual Compatibility with Devices
 - New Holland Loader Backhoe Service Manual Enhanced eBook Features
7. Enhancing Your Reading Experience
 - Adjustable Fonts and Text Sizes of New Holland Loader Backhoe Service Manual
 - Highlighting and Note-Taking New Holland Loader Backhoe Service Manual
 - Interactive Elements New Holland Loader Backhoe Service Manual
8. Staying Engaged with New Holland Loader Backhoe Service Manual
 - Joining Online Reading Communities
 - Participating in Virtual Book Clubs
 - Following Authors and Publishers New Holland Loader Backhoe Service Manual
9. Balancing eBooks and Physical Books New Holland Loader Backhoe Service Manual
 - Benefits of a Digital Library
 - Creating a Diverse Reading Collection New Holland Loader Backhoe Service Manual
10. Overcoming Reading Challenges
 - Dealing with Digital Eye Strain
 - Minimizing Distractions
 - Managing Screen Time
11. Cultivating a Reading Routine New Holland Loader Backhoe Service Manual
 - Setting Reading Goals New Holland Loader Backhoe Service Manual
 - Carving Out Dedicated Reading Time
12. Sourcing Reliable Information of New Holland Loader Backhoe Service Manual
 - Fact-Checking eBook Content of New Holland Loader Backhoe Service Manual
 - Distinguishing Credible Sources
13. Promoting Lifelong Learning
 - Utilizing eBooks for Skill Development
 - Exploring Educational eBooks
14. Embracing eBook Trends
 - Integration of Multimedia Elements

- Interactive and Gamified eBooks

New Holland Loader Backhoe Service Manual Introduction

New Holland Loader Backhoe Service Manual Offers over 60,000 free eBooks, including many classics that are in the public domain. Open Library: Provides access to over 1 million free eBooks, including classic literature and contemporary works. New Holland Loader Backhoe Service Manual Offers a vast collection of books, some of which are available for free as PDF downloads, particularly older books in the public domain. New Holland Loader Backhoe Service Manual : This website hosts a vast collection of scientific articles, books, and textbooks. While it operates in a legal gray area due to copyright issues, its a popular resource for finding various publications. Internet Archive for New Holland Loader Backhoe Service Manual : Has an extensive collection of digital content, including books, articles, videos, and more. It has a massive library of free downloadable books. Free-eBooks New Holland Loader Backhoe Service Manual Offers a diverse range of free eBooks across various genres. New Holland Loader Backhoe Service Manual Focuses mainly on educational books, textbooks, and business books. It offers free PDF downloads for educational purposes. New Holland Loader Backhoe Service Manual Provides a large selection of free eBooks in different genres, which are available for download in various formats, including PDF. Finding specific New Holland Loader Backhoe Service Manual, especially related to New Holland Loader Backhoe Service Manual, might be challenging as theyre often artistic creations rather than practical blueprints. However, you can explore the following steps to search for or create your own Online Searches: Look for websites, forums, or blogs dedicated to New Holland Loader Backhoe Service Manual, Sometimes enthusiasts share their designs or concepts in PDF format. Books and Magazines Some New Holland Loader Backhoe Service Manual books or magazines might include. Look for these in online stores or libraries. Remember that while New Holland Loader Backhoe Service Manual, sharing copyrighted material without permission is not legal. Always ensure youre either creating your own or obtaining them from legitimate sources that allow sharing and downloading. Library Check if your local library offers eBook lending services. Many libraries have digital catalogs where you can borrow New Holland Loader Backhoe Service Manual eBooks for free, including popular titles. Online Retailers: Websites like Amazon, Google Books, or Apple Books often sell eBooks. Sometimes, authors or publishers offer promotions or free periods for certain books. Authors Website Occasionally, authors provide excerpts or short stories for free on their websites. While this might not be the New Holland Loader Backhoe Service Manual full book , it can give you a taste of the authors writing style. Subscription Services Platforms like Kindle Unlimited or Scribd offer subscription-based access to a wide range of New Holland Loader Backhoe Service Manual eBooks, including some popular titles.

FAQs About New Holland Loader Backhoe Service Manual Books

1. Where can I buy New Holland Loader Backhoe Service Manual books? Bookstores: Physical bookstores like Barnes & Noble, Waterstones, and independent local stores. Online Retailers: Amazon, Book Depository, and various online bookstores offer a wide range of books in physical and digital formats.
2. What are the different book formats available? Hardcover: Sturdy and durable, usually more expensive. Paperback: Cheaper, lighter, and more portable than hardcovers. E-books: Digital books available for e-readers like Kindle or software like Apple Books, Kindle, and Google Play Books.
3. How do I choose a New Holland Loader Backhoe Service Manual book to read? Genres: Consider the genre you enjoy (fiction, non-fiction, mystery, sci-fi, etc.). Recommendations: Ask friends, join book clubs, or explore online reviews and recommendations. Author: If you like a particular author, you might enjoy more of their work.
4. How do I take care of New Holland Loader Backhoe Service Manual books? Storage: Keep them away from direct sunlight and in a dry environment. Handling: Avoid folding pages, use bookmarks, and handle them with clean hands. Cleaning: Gently dust the covers and pages occasionally.
5. Can I borrow books without buying them? Public Libraries: Local libraries offer a wide range of books for borrowing. Book Swaps: Community book exchanges or online platforms where people exchange books.
6. How can I track my reading progress or manage my book collection? Book Tracking Apps: Goodreads, LibraryThing, and Book Catalogue are popular apps for tracking your reading progress and managing book collections. Spreadsheets: You can create your own spreadsheet to track books read, ratings, and other details.
7. What are New Holland Loader Backhoe Service Manual audiobooks, and where can I find them? Audiobooks: Audio recordings of books, perfect for listening while commuting or multitasking. Platforms: Audible, LibriVox, and Google Play Books offer a wide selection of audiobooks.
8. How do I support authors or the book industry? Buy Books: Purchase books from authors or independent bookstores. Reviews: Leave reviews on platforms like Goodreads or Amazon. Promotion: Share your favorite books on social media or recommend them to friends.
9. Are there book clubs or reading communities I can join? Local Clubs: Check for local book clubs in libraries or community centers. Online Communities: Platforms like Goodreads have virtual book clubs and discussion groups.
10. Can I read New Holland Loader Backhoe Service Manual books for free? Public Domain Books: Many classic books are available for free as they're in the public domain. Free E-books: Some websites offer free e-books legally, like Project Gutenberg or Open Library.

Find New Holland Loader Backhoe Service Manual :

[prescott microbiology 9th edition spoon com](#)

preschool lesson plan week clover

prepaid credit cards to build your credit

[prentice hall geometry chapter twelve](#)

[prep guide for cda questions answers](#)

[prentice hall practice workbook spanish answers](#)

preparacion dele intermedio bclaves edelsa

prentice taxation 2012 individuals solutions manual

[prentice hall geometry workbook answer key 1-5](#)

pretty as a picture price guide

[prentice hall spanish core practice page 67](#)

~~[preschool graduation speech for director](#)~~

~~[preperatory examination 2013 physical science gauteng memo](#)~~

prentice hall mathematics algebra teacher39s edition

[pretoria university 2016 prospectors](#)

New Holland Loader Backhoe Service Manual :

download solutions landschaften die grosse aquarellschule - Feb 08 2023

[web landschaften die grosse aquarellschule fremden blatt aug 19 2020 meister der farbe apr 07 2022 deutsche bauzeitung](#)

[berlin oct 01 2021 deutsche nationalbibliographie](#)

[landschaften die grosse aquarellschule uniport edu ng](#) - Mar 29 2022

[web apr 13 2023 landschaften die grosse aquarellschule 3 4 downloaded from uniport edu ng on april 13 2023 by guest](#)

[landschaften terry harrison 2011](#)

landschaften oz verlag erste auflage book info com - Jan 07 2023

[web sep 1 2023 landschaften die große aquarellschule autoren terry harrison autor angaben produktart buch isbn 10 3](#)

[86673 222 8 isbn 13 978 3 86673 222 3](#)

[landschaften die grosse aquarellschule tipps tric book](#) - Aug 02 2022

[web landschaften die grosse aquarellschule tipps tric 3 downloaded from donate pfi org on 2023 02 28 by guest crime](#)

stoppers 817 469 8477 nextdoor web if you have information

landschaften die große aquarellschule by terry harrison - Oct 24 2021

web free download landschaften die große aquarellschule by musik und kunstschule bielesfeld workshops und kurse 1

booklooker de antiquarische und gebrauchte bücher kaufen

250 aquarell landschaft und stadt ideen in 2023 aquarelle - Jul 01 2022

web 25 03 2023 erkunde marios pinnwand aquarell landschaft und stadt auf pinterest weitere ideen zu aquarelle

landschaften aquarell aquarellmalerei pinterest nutzer

aquarelle landschaften bilder und ideen auf kunstnet - Dec 26 2021

web aquarelle landschaften in der online galerie entdecken kunst malerei und fotografie von vielen Künstlern kunstnet de
details zu landschaften die große aquarellschule - Nov 05 2022

web landschaften die große aquarellschule von harrison terry materialtyp text sprache deutsch veröffentlichungsangaben
rheinfelden oz verlags gmbh 2009 auflage 1

landschaften die grosse aquarellschule pdf 2023 - Apr 29 2022

web landschaften die grosse aquarellschule pdf introduction landschaften die grosse aquarellschule pdf 2023 aquarellkunst
bernhard vogel 2011 how women

arslantepe höyüğü neden dünya miras listesi ne girdi youtube - Jan 27 2022

web haberturk tv youtube kanalına abone ol hbr tk qnhqssfatih altaylı ile teke tek bilim de unesco dünya miras listesi ne
giren arslantepe höyüğü konu

landschaften die große aquarellschule tipps tricks für mehr - Jul 13 2023

web landschaften die große aquarellschule tipps tricks für mehr spannung im bild harrison terry isbn 9783862300105
kostenloser versand für alle bücher mit

landschaften die große aquarellschule tipps tricks für mehr - Mar 09 2023

web landschaften die große aquarellschule tipps tricks favoriten favorit speichern das objekt wurde ihren favoriten
hinzugefügt sie haben bisher noch keine

landschaften die große aquarellschule by terry harrison - Nov 24 2021

web jul 28 2023 landschaften die große aquarellschule 9783862300105 landschaften die große aquarellschule de eröffnung
der moskau tage in wien 21 09 1999 ean suchen

landschaften die große aquarellschule tipps tricks für mehr - Feb 25 2022

web lehrbuch für den stockkampf buch pdf gunnar siebert aserbaidshan ein märchenland das es wirklich gibt aserbaidshan
geschichte aserbaidshans traditionen kultur

landschaften die große aquarellschule englisch verlag - Oct 04 2022

web informationen zum titel landschaften die große aquarellschule zweite auflage von terry harrison mit kurzbeschreibung inhaltsverzeichnis und verfügbarkeitsabfrage

landschaften die große aquarellschule by terry harrison - Sep 03 2022

web may 21st 2020 vergleichen landschaften die grosse aquarellschule tipps amp tricks für mehr spannung im bild isbn 9783862300105 home rightster com 1 7 landschaften

landschaften die große aquarellschule by terry harrison - Sep 22 2021

web landschaften die große aquarellschule by terry harrison landschaften die große aquarellschule by terry harrison ean suchen barcode beginnt mit 9 783473 seite 36

landschaften die grosse aquarellschule - May 11 2023

web der hobbymaler wird an die immer wieder bevorzugten themen wie stilleben landschaft figuren und porträts herangeführt alle wichtigen materialien und die unterschiedlichen

landschaften die große aquarellschule deutsche digitale - Jun 12 2023

web sie können die website auch ohne diese cookies nutzen durch klicken auf ich stimme zu erklären sie sich einverstanden dass wir cookies zu analyse zwecken setzen in

landschaften die große aquarellschule by terry harrison - Dec 06 2022

web download landschaften die große aquarellschule by christophorus verlag bücher aus diesem verlag isbn kostenloser download landschaften die gro e 9 stück acryl öl

landschaften die große aquarellschule gebundene ausgabe - Aug 14 2023

web ein wunderbar anzusehendes buch es entsteht der wunsch auch so malen zu können es gibt ja sehr viele verschiedene aquarell malstile und man findet sicher heraus ob man

landschaften die große aquarellschule by terry harrison - May 31 2022

web may 24 2023 landschaften die gro e christophorus verlag bücher aus diesem verlag isbn landschaften die große aquarellschule co uk presse bernhard vogel die 28

landschaften die große aquarellschule ab 19 58 - Apr 10 2023

web landschaften die große aquarellschule von zustand sehr gut harrison terry 2021 isbn 9783866732223 so macht sparen spaß bis zu 70 ggü

priest manga volume 2 prelude to the deceased part 2 alibris - May 09 2022

web buy priest manga volume 2 prelude to the deceased part 2 by min woo hyung illustrator online at alibris we have new and used copies available in 1 editions starting at 2 00 shop now

priest manga volume 2 prelude to the deceased part 2 - Aug 24 2023

web apr 23 2020 *priest manga volume 2 prelude to the deceased part 2* kindle comixology by min woo hyung author
illustrator format kindle edition 4 2 4 2 out of 5 stars 8 ratings

read ebook priest vol 2 prelude for the deceased part 2 - Mar 07 2022

web qvzfv4t4pwmw kindle priest vol 2 prelude for the deceased part 2 read pdf priest vol 2 prelude for the deceased part 2
read pdf priest vol 2 prelude for the deceased part 2 authored by released at filesize 6 42 mb to read the document you will
need adobe reader application

amazon com customer reviews priest vol 2 prelude for the deceased - Jan 17 2023

web find helpful customer reviews and review ratings for priest vol 2 prelude for the deceased part 2 at amazon com read
honest and unbiased product reviews from our users

priest volume 1 prelude for the deceased pt 1 prelude of the - Feb 06 2022

web priest volume 1 prelude for the deceased pt 1 prelude of the deceased 01 min woo hyung amazon com tr kitap

priest vol 2 prelude for the deceased part 2 softcover - Feb 18 2023

web abebooks com priest vol 2 prelude for the deceased part 2 9781591820093 and a great selection of similar new used and
collectible books available now at great prices priest vol 2 prelude for the deceased part 2 9781591820093 abebooks

priest vol 2 prelude for the deceased part 2 amazon com - Sep 25 2023

web sep 24 2002 demonic preacher jarbiling has made st baldlas his home and has desecrated the land and poisoned the
citizens in preparation for his master s return the only man who has the power to stop him is ivan isaacs a priest who sold his
soul to the devil belial for the power to fight temozarela

priest prelude for the deceased part 2 gn 2 anime news - Jul 11 2022

web no account yet registering is free easy and private discuss in the forum contribute to the encyclopedia build your own
myanime lists and more

buy prelude for the deceased part 2 book by minwoo hyung - Apr 08 2022

web sep 24 2002 buy prelude for the deceased part 2 paperback book by minwoo hyung from as low as 5 17 buy 3 get 1 free
our best sale yet add 4 books priced under 5 to your cart learn more

priest manga volume 2 prelude to the deceased part 2 ebook - Dec 16 2022

web apr 23 2020 *priest manga volume 2 prelude to the deceased part 2* 176 add to wishlist priest manga volume 2 prelude
to the deceased part 2 176 by min woo hyung view more ebook 7 49 7 99 save 6 current price is 7 49 original price is 7 99
you save 6

priest volume 2 prelude for the deceased pt 2 prelude to the - Jun 22 2023

web sep 16 2002 buy priest volume 2 prelude for the deceased pt 2 prelude to the deceased part 2 priest manga by hyung min woo hyung min woo isbn 9781591820093 from amazon s book store everyday low

priest volume 2 prelude for the deceased part 2 alaska - Jun 10 2022

web browse borrow and enjoy titles from the alaska digital library digital collection

priest volume 2 prelude for the deceased pt 2 v 2 by min - Oct 14 2022

web priest volume 2 prelude for the deceased pt 2 v 2 by min woo hyung 2002 09 16 min woo hyung books amazon ca

priest prelude for the deceased v 2 pt 2 alibris - Aug 12 2022

web buy priest prelude for the deceased v 2 pt 2 by min woo hyung artist online at alibris we have new and used copies available in 0 edition starting at shop now

priest manga volume 2 prelude to the deceased part 2 - Mar 19 2023

web priest manga volume 2 book read reviews from world s largest community for readers

priest vol 2 prelude for the deceased part 2 by min woo hyung - Sep 13 2022

web sep 24 2002 we have 5 copies of priest vol 2 prelude for the deceased part 2 for sale starting from au 15 42

priest manga volume 2 by min woo hyung ebook scribd - Nov 15 2022

web now the seal is about to be broken demonic preacher jarbilong has made st baldlas his home and has desecrated the land and poisoned the citizens in preparation for his master s return the only man who has the power to stop him is ivan isaacs a priest who sold his soul to the devil belial for the power to fight temozarela

priest manga volume 2 prelude to the deceased part 2 - May 21 2023

web apr 23 2020 priest manga volume 2 prelude to the deceased part 2 ebook hyung min woo hyung min woo amazon co uk kindle store

priest volume 2 prelude for the deceased part 2 overdrive - Jul 23 2023

web oct 1 2010 the only man who has the power to stop him is ivan isaacs a priest who sold his soul to the devil belial for the power to fight temozarela when ivan comes to town at high noon heads will roll read more

priest manga volume 2 prelude to the deceased part 2 ebook - Apr 20 2023

web priest manga volume 2 prelude to the deceased part 2 ebook hyung min woo hyung min woo amazon in kindle store

alcatel lucent 7705 sar user manual search engine - Feb 14 2022

web product the alcatel lucent 7705 sar brings a powerful service oriented capability to the ran but in a form factor and at a price point that are particularly appropriate for cell sites and hub locations with end to end service management under the alcatel lucent 5620 management portfolio the alcatel lucent 7705 sar

alcatel lucent 7705 sar system management manual - Mar 30 2023

web view and download alcatel lucent 7705 sar system management manual online service aggregation router os 7705 sar network router pdf manual download

[alcatel lucent 7705 service aggregation router nokia](#) - Feb 26 2023

web the 7705 sar 8 and 7705 sar 18 support the 16 port t1 e1 asap adapter card version 1 a16 chds1 and version 2 a16 chds1v2 and the 32 port t1 e1 asap adapter card version 2 a32 chds1v2 the 16 port t1 e1 asap adapter card version 1 has a 48v 60 vdc and 24 vdc variant

alcatel lucent 7705 manual pdf download manualslib - Apr 18 2022

web network router alcatel lucent 7705 sar a installation manual service aggregation router sar a chassis 154 pages network router alcatel lucent 7750 reference manual service router radius attributes 244 pages summary of contents for alcatel lucent 7705

7705 service aggregation router nokia - Sep 23 2022

web the nokia 7705 sar delivers legacy tdm and advanced ip mpls services making it ideal for industries enterprises and governments and for niche applications in ip anyhaul networks the 7705 sar provides an easy migration path from tdm networks

[alcatel lucent 7705 sar 8 system management manual](#) - Jul 02 2023

web view and download alcatel lucent 7705 sar 8 system management manual online service aggregation router os 7705 sar 8 network router pdf manual download also for 7705 sar f 7705

alcatel lucent 7705 installation manual pdf download - Aug 23 2022

web list of technical publications the 7705 sar os documentation set is composed of the following guides 7705 sar os basic system configuration guide this guide describes basic system configurations and operations

alcatel lucent 7705 service aggregation router nokia - Jun 01 2023

web when printed by alcatel lucent this document is printed on recycled paper alcatel lucent assumes no responsibility for the accuracy of the information presented which is refer to the 7705 sar 8 installation guide for more information on the power consumption of other components table 2 component power consumption

7705 r50 firewall config guide nokia - Mar 18 2022

web the 7705 sar firewall is currently supported on the 7705 sar h this guide is organized into functional chapters that provide concepts and descriptions of the implementation flow command line interface cli syntax and cli command usage

[alcatel lucent 7705 sar 8 tempest telecom solutions](#) - Dec 27 2022

web the 7705 sar 8 is a two rack unit 2 ru version of the 7705 sar with industry leading access density the platform can be optionally configured with a redundant control and switch module and uplinks

alcatel lucent 7705 sar 8 tempest telecom solutions - Sep 04 2023

web the alcatel lucent 7705 sar 8 is a high performance service aggregation router that provides unmatched reliability and flexibility for modern networks designed to meet the demands of today s complex networks the sar 8 offers advanced features and benefits that deliver exceptional value to network operators

alcatel lucent 7705 sar a installation manual pdf - Nov 25 2022

web view and download alcatel lucent 7705 sar a installation manual online service aggregation router sar a chassis 7705 sar a network router pdf manual download

alcatel lucent 7705 service aggregation router nokia - Oct 25 2022

web the 7705 sar os documentation set is composed of the following guides Ł 7705 sar os basic system configuration guide this guide describes basic system configurations and operations Ł 7705 sar os system management guide this guide describes system security and access configurations as well as event logging and accounting logs

7705 sar interfaces nokia - Jun 20 2022

web jan 1 2012 alcatel lucent 7705 sar routers provide the capability to configure chassis slots to accept specific adapter card types and set the relevant configurations before the equipment is actually installed the preprovisioning ability allows you to plan your configurations as well as monitor and manage your router hardware inventory

alcatel lucent 7705 service aggregation router release 1 0 sar - Oct 05 2023

web when printed by alcatel lucent this document is printed on recycled paper alcatel lucent assumes no responsibility for the accuracy of the information presented which is subject to change without notice 7705 sar 8 installation guide page 3

[alcatel lucent 7705 installation manual pdf download](#) - Jul 22 2022

web the 7705 sar m supports extended temperature operation from 40 to 149 f 40 to 65 c and a cold start from 40 f 40 c the 7705 sar 8 and the 7705 sar f support extended temperature operation from 40 to 149 f 40 to 65 c and a

[alcatel lucent user documentation index nokia](#) - Apr 30 2023

web welcome to the information center for the alcatel lucent 7705 service aggregation router the 7705 sar information center provides quick access to the technical documentation for product technical support visit the online customer support portal or the alcatel lucent product index

7705 service aggregation router nokia - May 20 2022

web the 7705 sar uses aaa authentication authorization and accounting to monitor and control network access security you can configure the 7705 sar to use local radius or tacacs security to validate users who attempt to access the router you can also select in which order the authentication methods are tried

alcatel lucent 7705 sar brochure specs manualslib - Aug 03 2023

web the alcatel lucent 7705 service aggregation router sar delivers industry leading ip mpls and pseudowire capabilities in a compact platform that has the ability to groom and aggregate multiple media service and transport protocols onto a normalized economical packet transport infrastructure the alcatel lucent 7705 sar is extrem

alcatel lucent 7705 sar day wireless - Jan 28 2023

web the alcatel lucent 7705 service aggregation router sar delivers industry leading ip mpls and pseudowire capabilities in compact platforms with the ability to reliably groom and aggregate multiple media service and transport protocols onto an economical packet transport infrastructure alcatel lucent 7705 sar 8