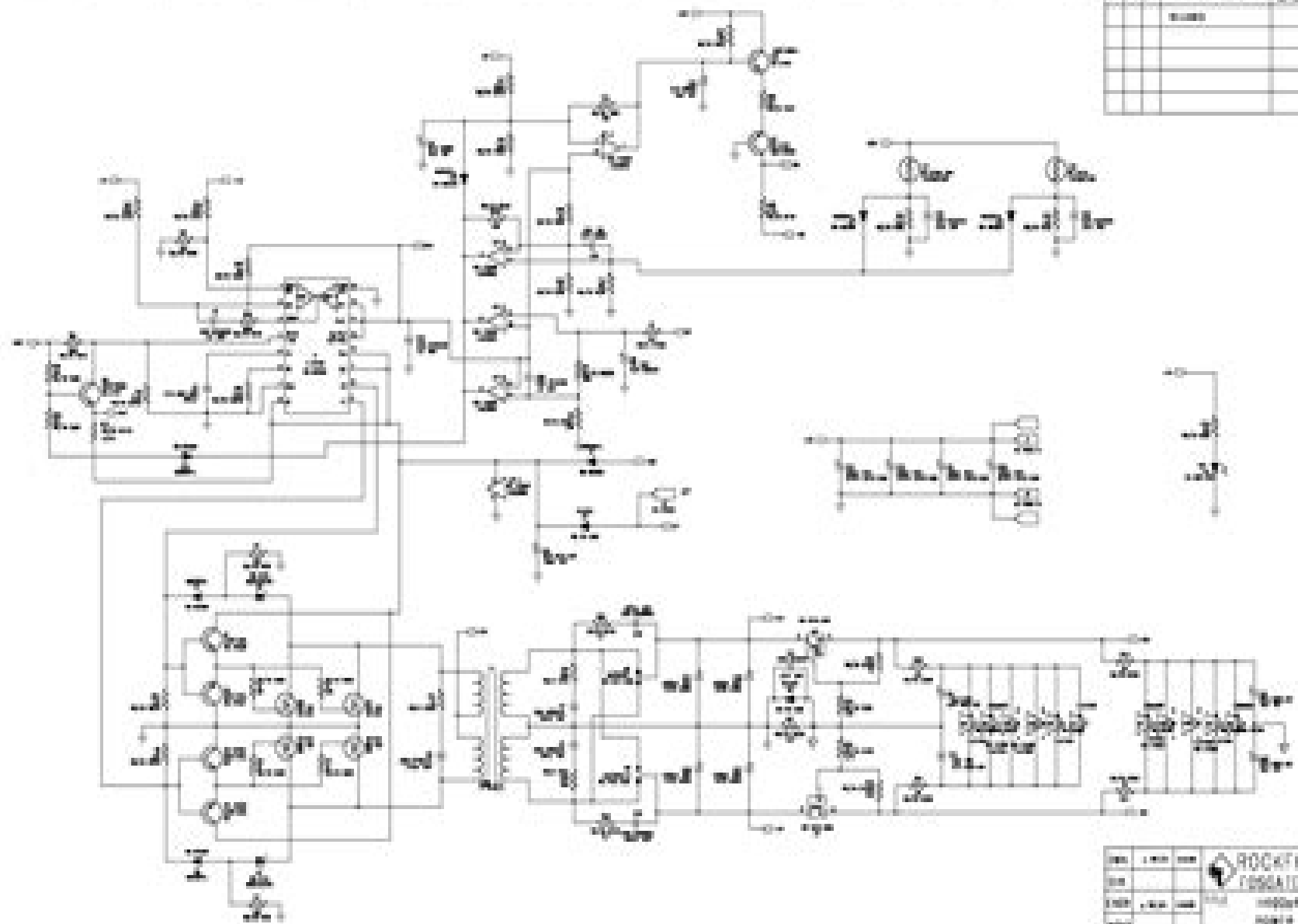


REV	DATE	BY	CHKD	APP



REV	DATE	BY	CHKD	APP

ROCKFORD
 DESIGN, MANUFACTURE
 INPUT
 POWER SUPPLY

SHEET 1 OF 1
 REV. 01
 DATE: 01/01/01

Rockford Fosgate Amp Repair Manual

**Thirumalaisamy P.
Velavancorresponding**



Rockford Fosgate Amp Repair Manual:

Immerse yourself in heartwarming tales of love and emotion with is touching creation, Tender Moments: **Rockford Fosgate Amp Repair Manual** . This emotionally charged ebook, available for download in a PDF format (*), is a celebration of love in all its forms. Download now and let the warmth of these stories envelop your heart.

https://crm.avenza.com/results/uploaded-files/HomePages/paul_preaching_coloring_page.pdf

Table of Contents Rockford Fosgate Amp Repair Manual

1. Understanding the eBook Rockford Fosgate Amp Repair Manual
 - The Rise of Digital Reading Rockford Fosgate Amp Repair Manual
 - Advantages of eBooks Over Traditional Books
2. Identifying Rockford Fosgate Amp Repair Manual
 - Exploring Different Genres
 - Considering Fiction vs. Non-Fiction
 - Determining Your Reading Goals
3. Choosing the Right eBook Platform
 - Popular eBook Platforms
 - Features to Look for in an Rockford Fosgate Amp Repair Manual
 - User-Friendly Interface
4. Exploring eBook Recommendations from Rockford Fosgate Amp Repair Manual
 - Personalized Recommendations
 - Rockford Fosgate Amp Repair Manual User Reviews and Ratings
 - Rockford Fosgate Amp Repair Manual and Bestseller Lists
5. Accessing Rockford Fosgate Amp Repair Manual Free and Paid eBooks
 - Rockford Fosgate Amp Repair Manual Public Domain eBooks
 - Rockford Fosgate Amp Repair Manual eBook Subscription Services
 - Rockford Fosgate Amp Repair Manual Budget-Friendly Options
6. Navigating Rockford Fosgate Amp Repair Manual eBook Formats

- ePub, PDF, MOBI, and More
 - Rockford Fosgate Amp Repair Manual Compatibility with Devices
 - Rockford Fosgate Amp Repair Manual Enhanced eBook Features
7. Enhancing Your Reading Experience
 - Adjustable Fonts and Text Sizes of Rockford Fosgate Amp Repair Manual
 - Highlighting and Note-Taking Rockford Fosgate Amp Repair Manual
 - Interactive Elements Rockford Fosgate Amp Repair Manual
 8. Staying Engaged with Rockford Fosgate Amp Repair Manual
 - Joining Online Reading Communities
 - Participating in Virtual Book Clubs
 - Following Authors and Publishers Rockford Fosgate Amp Repair Manual
 9. Balancing eBooks and Physical Books Rockford Fosgate Amp Repair Manual
 - Benefits of a Digital Library
 - Creating a Diverse Reading Collection Rockford Fosgate Amp Repair Manual
 10. Overcoming Reading Challenges
 - Dealing with Digital Eye Strain
 - Minimizing Distractions
 - Managing Screen Time
 11. Cultivating a Reading Routine Rockford Fosgate Amp Repair Manual
 - Setting Reading Goals Rockford Fosgate Amp Repair Manual
 - Carving Out Dedicated Reading Time
 12. Sourcing Reliable Information of Rockford Fosgate Amp Repair Manual
 - Fact-Checking eBook Content of Rockford Fosgate Amp Repair Manual
 - Distinguishing Credible Sources
 13. Promoting Lifelong Learning
 - Utilizing eBooks for Skill Development
 - Exploring Educational eBooks
 14. Embracing eBook Trends
 - Integration of Multimedia Elements
 - Interactive and Gamified eBooks

Rockford Fosgate Amp Repair Manual Introduction

Rockford Fosgate Amp Repair Manual Offers over 60,000 free eBooks, including many classics that are in the public domain. Open Library: Provides access to over 1 million free eBooks, including classic literature and contemporary works. Rockford Fosgate Amp Repair Manual Offers a vast collection of books, some of which are available for free as PDF downloads, particularly older books in the public domain. Rockford Fosgate Amp Repair Manual : This website hosts a vast collection of scientific articles, books, and textbooks. While it operates in a legal gray area due to copyright issues, its a popular resource for finding various publications. Internet Archive for Rockford Fosgate Amp Repair Manual : Has an extensive collection of digital content, including books, articles, videos, and more. It has a massive library of free downloadable books. Free-eBooks Rockford Fosgate Amp Repair Manual Offers a diverse range of free eBooks across various genres. Rockford Fosgate Amp Repair Manual Focuses mainly on educational books, textbooks, and business books. It offers free PDF downloads for educational purposes. Rockford Fosgate Amp Repair Manual Provides a large selection of free eBooks in different genres, which are available for download in various formats, including PDF. Finding specific Rockford Fosgate Amp Repair Manual, especially related to Rockford Fosgate Amp Repair Manual, might be challenging as theyre often artistic creations rather than practical blueprints. However, you can explore the following steps to search for or create your own Online Searches: Look for websites, forums, or blogs dedicated to Rockford Fosgate Amp Repair Manual, Sometimes enthusiasts share their designs or concepts in PDF format. Books and Magazines Some Rockford Fosgate Amp Repair Manual books or magazines might include. Look for these in online stores or libraries. Remember that while Rockford Fosgate Amp Repair Manual, sharing copyrighted material without permission is not legal. Always ensure youre either creating your own or obtaining them from legitimate sources that allow sharing and downloading. Library Check if your local library offers eBook lending services. Many libraries have digital catalogs where you can borrow Rockford Fosgate Amp Repair Manual eBooks for free, including popular titles. Online Retailers: Websites like Amazon, Google Books, or Apple Books often sell eBooks. Sometimes, authors or publishers offer promotions or free periods for certain books. Authors Website Occasionally, authors provide excerpts or short stories for free on their websites. While this might not be the Rockford Fosgate Amp Repair Manual full book , it can give you a taste of the authors writing style. Subscription Services Platforms like Kindle Unlimited or Scribd offer subscription-based access to a wide range of Rockford Fosgate Amp Repair Manual eBooks, including some popular titles.

FAQs About Rockford Fosgate Amp Repair Manual Books

How do I know which eBook platform is the best for me? Finding the best eBook platform depends on your reading preferences and device compatibility. Research different platforms, read user reviews, and explore their features before

making a choice. Are free eBooks of good quality? Yes, many reputable platforms offer high-quality free eBooks, including classics and public domain works. However, make sure to verify the source to ensure the eBook credibility. Can I read eBooks without an eReader? Absolutely! Most eBook platforms offer web-based readers or mobile apps that allow you to read eBooks on your computer, tablet, or smartphone. How do I avoid digital eye strain while reading eBooks? To prevent digital eye strain, take regular breaks, adjust the font size and background color, and ensure proper lighting while reading eBooks. What the advantage of interactive eBooks? Interactive eBooks incorporate multimedia elements, quizzes, and activities, enhancing the reader engagement and providing a more immersive learning experience. Rockford Fosgate Amp Repair Manual is one of the best book in our library for free trial. We provide copy of Rockford Fosgate Amp Repair Manual in digital format, so the resources that you find are reliable. There are also many Ebooks of related with Rockford Fosgate Amp Repair Manual. Where to download Rockford Fosgate Amp Repair Manual online for free? Are you looking for Rockford Fosgate Amp Repair Manual PDF? This is definitely going to save you time and cash in something you should think about.

Find Rockford Fosgate Amp Repair Manual :

[paul preaching coloring page](#)

[payroll accounting 2chapter 3](#)

[paul celan and martin heidegger an unresolved conversation 190](#)

[past papers gauteng maths literacy papergrade 2014](#)

[patwari exam question paper](#)

[past exam papers grade 12 physical science](#)

~~[passionate christmas kisses holiday romance series book 1](#)~~

~~[pbs blood webquest answer key](#)~~

[paul krugman macroeconomics answer key](#)

[paula deans meatloaf recipe](#)

[pc chip m863g manual](#)

[past papers citizenship edexcel unit 1](#)

~~[past kese questions and answers](#)~~

[pat testing code of practice 4th edition](#)

[past manual architectural engineering drafting tools](#)

Rockford Fosgate Amp Repair Manual :

einführung in die hypnotherapie mit kindern und j uniport edu - Apr 17 2022

web may 30 2023 die prozess und embodimentfokussierte psychologie pep gibt kindern und jugendlichen einfache leicht zu erlernende techniken zur selbsthilfe an die hand von denen sie unmittelbar profitieren

read free einführung in die hypnotherapie mit kindern und j - Nov 24 2022

web einführung in die hypnotherapie mit kindern und j strungsspezifische schematherapie mit kindern und jugendlichen apr 07 2022 handbuch kinder und medien may 08 2022 das handbuch kinder und medien gibt einen aktuellen und umfassenden berblick zum theoretischen empirischen und methodologischen stand der kindermedienforschung

einführung in die hypnotherapie mit kindern und j copy - Jan 27 2023

web einführung in die hypnotherapie mit kindern und j chillen unterm sorgenbaum sep 05 2022 alles im kopf nennt andrea kaindl ihr detailliert beschriebenes manual für kinder und jugendliche mit chronischen schmerzen das kognitiv verhaltenstherapeutische und hypnosystemische interventionen zusammenführt

hypnotherapie wikipedia - Jun 19 2022

web hypnotherapie als hypnotherapie oder hypnosepsychotherapie werden heute therapieformen zusammengefasst die trance und suggestionen therapeutisch nutzen um heilungs such und lernprozesse zu fördern wird entweder hypnose im mehr formalen sinn praktiziert oder es werden alltägliche tranceprozesse für die therapeutische arbeit

read free einführung in die hypnotherapie mit kindern und j - Mar 29 2023

web eine vielzahl von hypnoseanleitungen und hypnotherapeutischen phantasieereisen runden das buch ab die essenz des buches liegt nach der vermittlung grundlegender prinzipien in der inspiration der begabung des lesers einführung in die hypnotherapie mit kindern und jugendlichen oct 30 2022

einführung in die hypnotherapie mit kindern und jugendlichen - May 31 2023

web einführung in die hypnotherapie mit kindern und jugendlichen by karl ludwig holtz siegfried mrochen einführung in die systemische therapie mit kindern und digital resources find digital datasheets resources einführung in die systemische therapie mit carl auer verlag heilmassagen mit einer einführung von prof scribd nlp ausweg aus

einführung in die hypnotherapie mit kindern und jugendlichen - Dec 26 2022

web einführung in die hypnotherapie mit kindern und jugendlichen by karl ludwig holtz siegfried mrochen einführung in die systemische paartherapie heilmassagen mit einer einführung von prof scribd

download solutions einführung in die hypnotherapie mit kindern und j - Oct 24 2022

web gruppenanalyse mit kindern und jugendlichen sep 09 2020 das vorgestellte weiterbildungskonzept basiert auf langjährigen praktischen erfahrungen von kolleginnen und kollegen die die gruppenanalyse nach s h foulkes auf die arbeit

mit kinder und jugendlichengruppen anwenden kinder und jugendliche entwickeln sich von beginn

hypnotherapy in child psychiatry the state of the art pubmed - Jul 21 2022

web hypnotherapy in child psychiatry the state of the art 2008 jul 13 3 377 93 doi 10 1177 1359104508090601 inger helene vandvik trond h diseth section for child and adolescent psychiatry rikshospitalet university hospital oslo norway huynh melanie gmail com 10 1177 1359104508090601 children are more easily

einführung in die hypnotherapie mit kindern und jugendlichen - Aug 02 2023

web einführung in die hypnotherapie mit kindern und jugendlichen carl auer compact holtz karl ludwig mrochen siegfried isbn 9783896704658 kostenloser versand für alle bücher mit versand und verkauf duch amazon
einführung in die hypnotherapie mit kindern und j 2023 - May 19 2022

web einführung in die psychotherapie für medizinstudierende und Ärzte einführung in die hypnotherapie die angst vergeht der zauber bleibt klinische hypnose und hypnotherapie mit kindern und jugendlichen hypnotherapie effizient und kreativ einführung in die hypnotherapie selbst hypnose einführung in die traumatherapie

[einführung in die hypnotherapie mit kindern und j download](#) - Jul 01 2023

web klinische hypnose und hypnotherapie mit kindern und jugendlichen einführung in die systemische transaktionsanalyse von individuum und organisation einführung in den provokativen ansatz
hypnose mit kindern jugendlichen anwendungen jameda - Sep 22 2022

web nov 21 2021 anwendung der medizinischen hypnose bei kindern und jugendlichen hypnoseanwendungen können bei kindern und jugendlichen in akuten situationen wie beispielsweise zum anlass einer akuten invasiven behandlung oder aber auch nach psychosomatischer indikation stattfinden die anwendungsgebiete auf dem gebiet der
einführung in die hypnotherapie mit kindern und j pdf dotnbnm - Feb 13 2022

web kreativ nutzen hypnotherapie und klinische hypnose mit kindern und jugendlichen zielen auf selbstheilungskompetenzen und die kraft von imagination ab ob in direkter hypnotischer trance oder durch nutzen natürlicher phänomene wie dem kindlichen spiel tagträumen oder neugier werden die kinder mit sich und ihren ressourcen in kontakt

free pdf download einführung in die hypnotherapie mit kindern und j - Mar 17 2022

web einführung in die hypnotherapie mit kindern und j index catalogue of the library of the surgeon general s office united states army sep 16 2021 collection of incunabula and early medical prints in the library of the surgeon general s office u s army ser 3 v 10 p 1415 1436 hypnotherapie effizient und kreativ apr 04 2023

[pdf einführung in die hypnotherapie mit kindern und j](#) - Feb 25 2023

web einführung in die hypnotherapie mit kindern und j schmidt s jahrbuecher apr 03 2023 the pentateuch nov 05 2020 sport science in germany jan 08 2021 in the scientific theory of sport science four major questions can be considered 1 what is the

function of science 2 what is the body of knowledge of a scientific field

[einführung in die hypnotherapie mit kindern und j](#) - Oct 04 2023

web einführung in die hypnotherapie mit kindern und j the therapist s treasure chest solution oriented tips and tricks for everyday practice jan 17 2023 a trove of ready to use solution focused therapy techniques for work with children adults and families

einführung in die hypnotherapie mit kindern und jugendlichen - Aug 22 2022

web wurde von jeffrey young einführung in die hypnotherapie mit kindern und jugendlichen eine einführung in die hypnose scribd rückführung einführung und kurzanleitung scribd pdf die drei kids kampf der roboter drei fragezeichen kids einführung in die systemische therapie mit kindern und thatswhatsup me pdf kein kinderkrum band 1 berufliche

einführung in die hypnotherapie mit kindern und jugendlichen - Sep 03 2023

web oct 30 2009 buchbeschreibung in der psychotherapie mit kindern und jugendlichen werden zunehmend die chancen und möglichkeiten wahrgenommen welche die hypnotherapeutischen konzepte nach milton h erickson bieten im vordergrund stehen dabei ressourcen lösungs und entwicklungsorientierte perspektiven

[einführung in die hypnotherapie mit kindern und j](#) - Apr 29 2023

web die entwicklung von kindern und jugendlichen hlt nicht immer schritt mit den wachsenden herausforderungen denen sie ausgesetzt sind eine hypnosystemisch fundierte beratung oder therapie kann hier die gesamte familie untersttzen und entlasten susy signer fischer vermittelt in diesem buch ausführlich die grundlagen und die praxis

free resources of waec bece past questions or more - May 29 2023

web pdf soft copies of waec bece past questions and answers for 1990 to 2021 you can print them out free download of all 2017 2014 and 2010 batch

bece past questions answers in a4 pdf word print edit - Oct 02 2023

web download past questions and answers passco soft copies of west african examination council s waec bece in pdf and or word format you can easily print out the documents the word versions can be edited to make them suitable for your own purposes

[pdf downloads soft copies of bece past questions 1990 2021](#) - Sep 01 2023

web pdf soft copies of waec bece past questions and answers for 1990 to 2021 you can print them out free download of all 2017 2014 and 2010 files

bece junior waec past question home economics updated - Nov 22 2022

web bece junior waec past question home economics updated free download as pdf file pdf text file txt or read online for free

bece basic science past questions and answers pdf - Oct 22 2022

web feb 17 2020 how to get bece past questions on basic science how to get basic education certificate examination past questions and answer for basic science or any other bece subjects below are the steps to follow to download the updated copy of the past jss3 promotional examination questions on basic science make a call

bece junior waec civic education 2013 paper i 54 testdriller - Jan 25 2023

web civic education 2013 paper i 54 bece junior waec in the first republic nigeria practised system of government a federal b monarchy c oligarchy d parliamentary e presidential answer d to see detailed solution to this question and thousands of other questions offline download testdriller bece

bece junior waec past questions and answers pdf 2023 - Mar 15 2022

web oct 1 2023 bece junior waec questions and answers 2023 bece past questions and answers are a valuable resource for students preparing for the junior waec examination they can help you to understand the format of the exam and the questions that are asked identify your strengths and weaknesses in different subject areas

2013 waeb expo waec english language obj and theory answers - Feb 11 2022

web waec 2013 english essay answers do answer number 84 and 85 yourself 8a the first stage in the publication book deals with idea conception note that the very next stage focuses on the search for academics which also translates the ideas into the script the manuscript is also carefully screened to help determine if it is good for publication

bece 2013 english language past question 1 2 study - Jul 31 2023

web sep 6 2021 if you are preparing to take the bece exams for the 2021 academic year then you can find below the bece 2013 english language past questions pdf 1 2 why do we give out the past question we always try our best to get you the questions from the previous year s examination so you can use them as references when studying

download waec past questions and answers in pdf - Dec 24 2022

web jul 9 2018 here is a list of waec past questions and answers in pdf format for you to download and prepare for your waec wassce may june and november december gce the list starts with only a few pdfs containing waec past questions and answers as we only have a handful at the moment

2013 waec english language theory nbsp read the following - Jun 17 2022

web read the following passage carefully and answer the questions on it it was mr ogun that wooed me for school that was decades ago i had resisted vehemently i even ran away to hibernate with my maternal grandmother i had told granny that i *junior waec bece past question and answers on agricultural science* - May 17 2022

web q1 methods of preserving fish include the following except a boiling b drying c smoking d salting answer a q 2 ruminants fed on dried grasses are given feed supplements to a increase water intake b provide bulk to feed c reduce microbial activity d provide deficient nutrients answer d q3

the west african examinations council committed to excellence - Apr 15 2022

web october 6 2023 awards distinction awards ceremony confirms the reliability of council s examinations hno october 6 2023 examinations press briefing on the conduct of 2023 examinations bece wassce general and advanced business certificate examinations october 6

bece agricultural science past questions and answers junior waec - Sep 20 2022

web feb 11 2020 how to get bece agric past questions and others subjects as well how to get basic education certificate examination past questions and answer for agricultural science or any other bece subjects below are the steps to follow to download your copy of the past jss3 promotional examination questions make a call

waec past questions and answers pdf free download - Feb 23 2023

web aug 14 2021 all the best tags download free waec past questions and answers pdf the past questions and answers for waec are available for all the popular waec subjects including waec past questions and answers on mathematics physic economics government chemistry biology agriculture etc

junior waec bece questions for all subjects flashlearners - Mar 27 2023

web nov 27 2021 how many questions set in bece subjects using the recent bece past questions as a case study the following are the number of questions to expect in junior waec bece this year mathematics total of 122 questions paper 1 60 obj questions paper 2 60 objective questions paper 3 theory 2 questions english studies paper

bece 2013 mathematics detailed explanation of 2013 bece - Aug 20 2022

web bece sirboachtvbece 2013 mathematics detailed explanation of 2013 bece mathematics past questions bece past questionsmaths

bece 2013 rme paper 1 objectives the thesis - Jun 29 2023

web religious and moral education rme objectives paper 1 1 the omniscience of god portrays him as a all knowing b very gracious c all forgiving d ever present 2 jacob s children went to egypt because a there was a great famine b joseph was a governor c there was good pasture for cattle d people were losing their

bece past questions with answers mickinet systems - Apr 27 2023

web may 30 2022 by michael osei owusu 2 comments listen to this article this is page is for all bece past questions the past questions are for informational purposes only all subjects bece private 2021 all subjects trending scheme of learning for jhs ict 2011 2013 ict 2014 solved ict bece 2017 questions ict bece 2018 questions

bece past questions learners hub - Jul 19 2022

web find below all the waec bece past questions and answers for 2021 november candidates get all the mocks for bece and past questions and answers from the west african examination council waec we provide you with all these free of charge

scribd - Jul 25 2022

web we would like to show you a description here but the site won't allow us

[the hot blood 9 book series kindle edition amazon.com](#) - Sep 07 2023

web deadly after dark fourth in the genre defining hot blood erotic horror anthology series pushes the envelope the furthest yet two bram stoker award nominated stories lucy

download deadly after dark tales of erotic horror zoboko.com - Jul 05 2023

web feb 23 2011 a tantalizing mix of sex and horror in fourteen stories from masters of the macabre including max allan collins jack ketchum lucy taylor and edward lee

[deadly after dark tales of erotic horror the hot blood series](#) - May 23 2022

web sep 18 2023 deadly after dark tales of erotic horror the hot blood series english edition by jeff gelb michael garrett creepy and weird deep web stories from business

[hot blood book series thriftbooks](#) - Oct 28 2022

web the hot blood book series by multiple authors includes books hot blood tales of erotic horror hottest blood the ultimate in erotic horror hot blood volume iii deadly

[deadly after dark tales of erotic horror barnes noble](#) - Jun 04 2023

web nov 1 2019 deadly after dark fourth in the genre defining hot blood erotic horror anthology series pushes the envelope the furthest yet two bram stoker

deadly after dark overdrive - May 03 2023

web feb 23 2011 deadly after dark fourth in the genre defining hot blood erotic horror anthology series pushes the envelope the furthest yet two bram stoker

hot blood series by jeff gelb goodreads - Aug 06 2023

web hot blood tales of erotic horror hotter blood more tales of erotic horror hot blood 2 hottest blood deadly after dark hot blood 4 seeds of

deadly after dark tales of erotic horror the hot jeff gelb 2023 - Jun 23 2022

web deadly after dark tales of erotic horror the hot recognizing the exaggeration ways to get this books deadly after dark tales of erotic horror the hot is additionally useful

deadly after dark by jeff gelb michael garrett ebook scribd - Nov 28 2022

web deadly after dark tales of erotic horror show full title by jeff gelb and michael garrett 3 5 14 ratings about this ebook a tantalizing mix of sex and horror in fourteen stories

[deadly after dark tales of erotic horror the hot 2023 dna](#) - Sep 26 2022

web deadly after dark tales of erotic horror the hot 1 omb no 4289253731086 deadly after dark tales of erotic horror the hot the monstrous feminine dark tales of

deadly after dark tales of erotic horror the hot christine - Feb 17 2022

web deadly after dark fourth in the genre defining hot blood erotic horror anthology series pushes the envelope the furthest yet two bram stoker award nominated stories lucy

deadly after dark tales of erotic horror the hot blood series - Oct 08 2023

web feb 23 2011 a tantalizing mix of sex and horror in fourteen stories from masters of the macabre including max allan collins jack ketchum lucy taylor and edward lee

deadly after dark tales of erotic horror ebook storytel - Jan 31 2023

web a tantalizing mix of sex and horror in fourteen stories from masters of the macabre including max allan collins jack ketchum lucy taylor and edward lee deadly after

deadly after dark tales of erotic horror google play - Dec 30 2022

web deadly after dark tales of erotic horror ebook written by jeff gelb michael garrett read this book using google play books app on your pc android ios devices

deadly after dark tales of erotic horror the hot 2023 - Apr 21 2022

web deadly after dark tales of erotic horror the hot the dark and deadly pool dark tales and twisted verses dark tales dark tales into the night deadly after dark boneyard

deadly after dark on apple books - Apr 02 2023

web feb 23 2011 a tantalizing mix of sex and horror in fourteen stories from masters of the macabre including max allan collins jack ketchum lucy taylor and edward lee

deadly after dark tales of erotic horror the hot - Mar 21 2022

web this carefully crafted ebook dark tales collected gothic novels and stories illustrated is formatted for your ereader with a deadly after dark tales of erotic horror the hot 3

deadly after dark tales of erotic horror read book online - Aug 26 2022

web feb 23 2011 a tantalizing mix of sex and horror in fourteen stories from masters of the macabre including max allan collins jack ketchum lucy taylor and edward lee

deadly after dark tales of erotic horror goodreads - Mar 01 2023

web a tantalizing mix of sex and horror in fourteen stories from masters of the macabre including max allan collins jack ketchum lucy taylor and edward lee deadly after