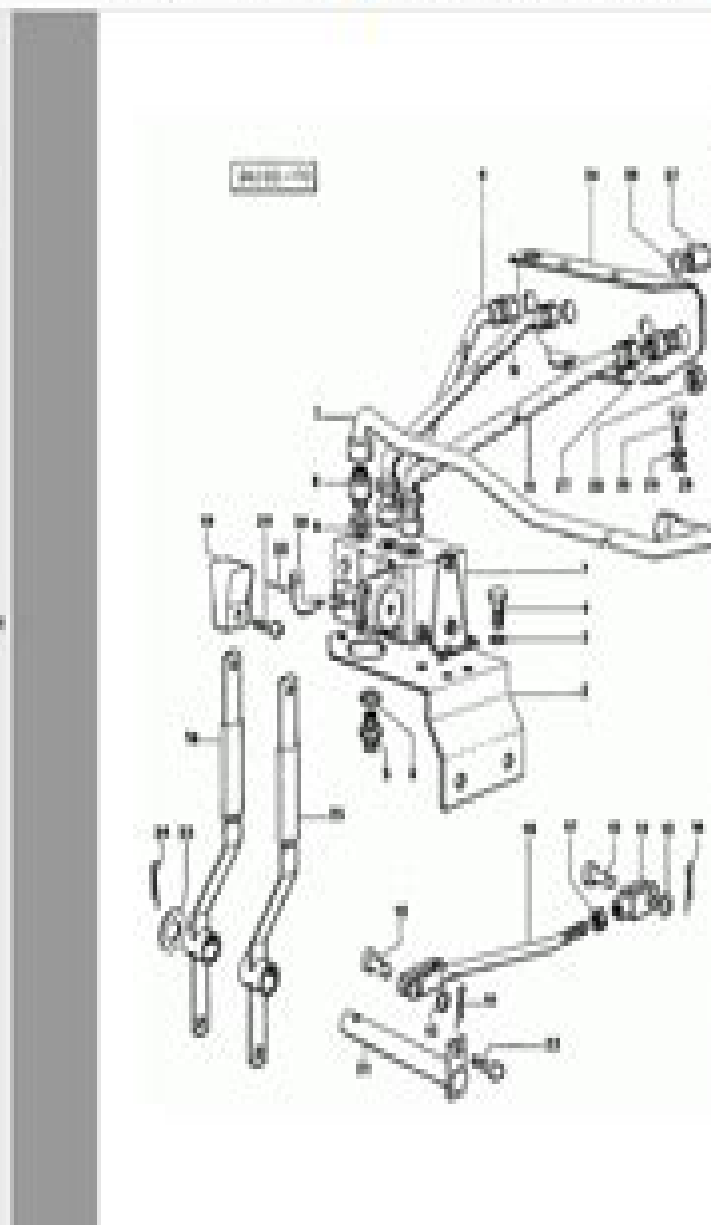


Page Thumbnails



**CENTURION 75 EXPORT Jet 5001** Ref: 02.05.1

Section: ACCESSORIES  
**3-WAY REMOTE CONTROL VALVE**

Qty	Code	Qty	Name
1	2.0716.140.0	1	distributor 1" 2.0716.140.0
2	0.0750.02.0	1	bracket
2	2.1470.004.0	4	washer 6
4	2.0716.000.0	4	spring m 4 p 1 20 x 10
4	2.0006.000.0	2	pipe fitting m 10 x 1" 174-120
1	2.0002.040.0	1	gasket 10.2 x 24 x 1.0
1	0.0750.04.0	1	nut
2	2.0006.100.0	2	pipe fitting m 10 p 1.0 - 10
2	2.0006.110.0	2	pipe fitting m 10 p 1.0 - 104-10
1	0.0750.07.0	1	nut
1	0.0750.04.0	1	nut
1	0.0750.04.0	1	nut
1	0.0750.04.0	1	nut
2	2.0006.027.0	2	nut
4	2.1310.000.0	4	flat washer 6.0
4	2.1000.000.0	4	split pin 2x10
4	2.1070.000.0	4	pin 6x22x10
2	0.0750.00.0	2	nut
2	2.1011.100.0	2	nut m 10 p 1.0
1	0.0750.02.070	1	nut
2	0.0400.04.0	2	brake
2	2.0002.400.0	2	spring m 4 x 10
1	0.0750.02.0	1	pin
1	2.0716.007.0	1	spring m 4 p 1 x 20
4	2.1310.010.0	4	flat washer 2.5x27
1	2.1000.110.0	1	split pin 4 x 20
1	0.0750.04.0	1	nut
1	2.1000.077.0	1	special nut 10P - 10
1	2.0006.027.0	1	pipe fitting
1	2.1310.000.0	1	flat washer 10.0
1	2.1470.000.0	1	flat washer 10
2	2.0716.007.0	2	spring m 10 p 1.0 x 20
1	0.0750.04.0	1	nut
1	2.1000.040.0	1	pin
1	2.1000.040.0	1	gasket 21 x 20
1	2.1000.040.0	1	special nut 10.0 pin
1	0.0750.04.0	1	pin
1	2.1000.211.0	1	nut pin 6x20

# Same Centurion 75 Export Manual

**Jianjun Gao**



**Same Centurion 75 Export Manual:**

*Power Farming in Australia and New Zealand Technical Manual* ,1986      **Mergent Industrial Manual** ,2003  
*Practical Engineer* ,1919      *The Engineer* ,1906      **Jane's Armour and Artillery, 1997-98** Christopher F. Foss,1997  
Janes rbog om artilleri og pansrede k ret jer der opdateres med en ny udgave hvert r      **Thomas Register of American  
Manufacturers** ,2003 Vols for 1970 71 includes manufacturers catalogs      Who's who in Finance and Business ,2008  
**Who's Who in the World, 1978-1979** Marquis Who's Who, LLC,1978      *Forthcoming Books* Rose Army,1990  
**Who's Who in American Law** Marquis Who's Who, Inc,2001      South African Mining and Engineering Journal ,1976  
South African Mining & Engineering Journal ,1976      *Cumulated Index to the Books* ,1938      *Who'swho in the world*  
,1982      **Who's who in the West** ,1998

Fuel your quest for knowledge with Learn from is thought-provoking masterpiece, Explore **Same Centurion 75 Export Manual** . This educational ebook, conveniently sized in PDF ( \*), is a gateway to personal growth and intellectual stimulation. Immerse yourself in the enriching content curated to cater to every eager mind. Download now and embark on a learning journey that promises to expand your horizons. .

<https://crm.avenza.com/public/virtual-library/Documents/Oui%20Mon%20Mari%20Non%20Mon%20Mari%20Roman.pdf>

## **Table of Contents Same Centurion 75 Export Manual**

1. Understanding the eBook Same Centurion 75 Export Manual
  - The Rise of Digital Reading Same Centurion 75 Export Manual
  - Advantages of eBooks Over Traditional Books
2. Identifying Same Centurion 75 Export Manual
  - Exploring Different Genres
  - Considering Fiction vs. Non-Fiction
  - Determining Your Reading Goals
3. Choosing the Right eBook Platform
  - Popular eBook Platforms
  - Features to Look for in an Same Centurion 75 Export Manual
  - User-Friendly Interface
4. Exploring eBook Recommendations from Same Centurion 75 Export Manual
  - Personalized Recommendations
  - Same Centurion 75 Export Manual User Reviews and Ratings
  - Same Centurion 75 Export Manual and Bestseller Lists
5. Accessing Same Centurion 75 Export Manual Free and Paid eBooks
  - Same Centurion 75 Export Manual Public Domain eBooks
  - Same Centurion 75 Export Manual eBook Subscription Services
  - Same Centurion 75 Export Manual Budget-Friendly Options

6. Navigating Same Centurion 75 Export Manual eBook Formats
  - ePub, PDF, MOBI, and More
  - Same Centurion 75 Export Manual Compatibility with Devices
  - Same Centurion 75 Export Manual Enhanced eBook Features
7. Enhancing Your Reading Experience
  - Adjustable Fonts and Text Sizes of Same Centurion 75 Export Manual
  - Highlighting and Note-Taking Same Centurion 75 Export Manual
  - Interactive Elements Same Centurion 75 Export Manual
8. Staying Engaged with Same Centurion 75 Export Manual
  - Joining Online Reading Communities
  - Participating in Virtual Book Clubs
  - Following Authors and Publishers Same Centurion 75 Export Manual
9. Balancing eBooks and Physical Books Same Centurion 75 Export Manual
  - Benefits of a Digital Library
  - Creating a Diverse Reading Collection Same Centurion 75 Export Manual
10. Overcoming Reading Challenges
  - Dealing with Digital Eye Strain
  - Minimizing Distractions
  - Managing Screen Time
11. Cultivating a Reading Routine Same Centurion 75 Export Manual
  - Setting Reading Goals Same Centurion 75 Export Manual
  - Carving Out Dedicated Reading Time
12. Sourcing Reliable Information of Same Centurion 75 Export Manual
  - Fact-Checking eBook Content of Same Centurion 75 Export Manual
  - Distinguishing Credible Sources
13. Promoting Lifelong Learning
  - Utilizing eBooks for Skill Development
  - Exploring Educational eBooks
14. Embracing eBook Trends
  - Integration of Multimedia Elements

- Interactive and Gamified eBooks

### **Same Centurion 75 Export Manual Introduction**

Same Centurion 75 Export Manual Offers over 60,000 free eBooks, including many classics that are in the public domain. Open Library: Provides access to over 1 million free eBooks, including classic literature and contemporary works. Same Centurion 75 Export Manual Offers a vast collection of books, some of which are available for free as PDF downloads, particularly older books in the public domain. Same Centurion 75 Export Manual : This website hosts a vast collection of scientific articles, books, and textbooks. While it operates in a legal gray area due to copyright issues, its a popular resource for finding various publications. Internet Archive for Same Centurion 75 Export Manual : Has an extensive collection of digital content, including books, articles, videos, and more. It has a massive library of free downloadable books. Free-eBooks Same Centurion 75 Export Manual Offers a diverse range of free eBooks across various genres. Same Centurion 75 Export Manual Focuses mainly on educational books, textbooks, and business books. It offers free PDF downloads for educational purposes. Same Centurion 75 Export Manual Provides a large selection of free eBooks in different genres, which are available for download in various formats, including PDF. Finding specific Same Centurion 75 Export Manual, especially related to Same Centurion 75 Export Manual, might be challenging as theyre often artistic creations rather than practical blueprints. However, you can explore the following steps to search for or create your own Online Searches: Look for websites, forums, or blogs dedicated to Same Centurion 75 Export Manual, Sometimes enthusiasts share their designs or concepts in PDF format. Books and Magazines Some Same Centurion 75 Export Manual books or magazines might include. Look for these in online stores or libraries. Remember that while Same Centurion 75 Export Manual, sharing copyrighted material without permission is not legal. Always ensure youre either creating your own or obtaining them from legitimate sources that allow sharing and downloading. Library Check if your local library offers eBook lending services. Many libraries have digital catalogs where you can borrow Same Centurion 75 Export Manual eBooks for free, including popular titles. Online Retailers: Websites like Amazon, Google Books, or Apple Books often sell eBooks. Sometimes, authors or publishers offer promotions or free periods for certain books. Authors Website Occasionally, authors provide excerpts or short stories for free on their websites. While this might not be the Same Centurion 75 Export Manual full book , it can give you a taste of the authors writing style. Subscription Services Platforms like Kindle Unlimited or Scribd offer subscription-based access to a wide range of Same Centurion 75 Export Manual eBooks, including some popular titles.

## FAQs About Same Centurion 75 Export Manual Books

1. Where can I buy Same Centurion 75 Export Manual books? Bookstores: Physical bookstores like Barnes & Noble, Waterstones, and independent local stores. Online Retailers: Amazon, Book Depository, and various online bookstores offer a wide range of books in physical and digital formats.
2. What are the different book formats available? Hardcover: Sturdy and durable, usually more expensive. Paperback: Cheaper, lighter, and more portable than hardcovers. E-books: Digital books available for e-readers like Kindle or software like Apple Books, Kindle, and Google Play Books.
3. How do I choose a Same Centurion 75 Export Manual book to read? Genres: Consider the genre you enjoy (fiction, non-fiction, mystery, sci-fi, etc.). Recommendations: Ask friends, join book clubs, or explore online reviews and recommendations. Author: If you like a particular author, you might enjoy more of their work.
4. How do I take care of Same Centurion 75 Export Manual books? Storage: Keep them away from direct sunlight and in a dry environment. Handling: Avoid folding pages, use bookmarks, and handle them with clean hands. Cleaning: Gently dust the covers and pages occasionally.
5. Can I borrow books without buying them? Public Libraries: Local libraries offer a wide range of books for borrowing. Book Swaps: Community book exchanges or online platforms where people exchange books.
6. How can I track my reading progress or manage my book collection? Book Tracking Apps: Goodreads, LibraryThing, and Book Catalogue are popular apps for tracking your reading progress and managing book collections. Spreadsheets: You can create your own spreadsheet to track books read, ratings, and other details.
7. What are Same Centurion 75 Export Manual audiobooks, and where can I find them? Audiobooks: Audio recordings of books, perfect for listening while commuting or multitasking. Platforms: Audible, LibriVox, and Google Play Books offer a wide selection of audiobooks.
8. How do I support authors or the book industry? Buy Books: Purchase books from authors or independent bookstores. Reviews: Leave reviews on platforms like Goodreads or Amazon. Promotion: Share your favorite books on social media or recommend them to friends.
9. Are there book clubs or reading communities I can join? Local Clubs: Check for local book clubs in libraries or community centers. Online Communities: Platforms like Goodreads have virtual book clubs and discussion groups.
10. Can I read Same Centurion 75 Export Manual books for free? Public Domain Books: Many classic books are available for free as they're in the public domain. Free E-books: Some websites offer free e-books legally, like Project Gutenberg or Open Library.

**Find Same Centurion 75 Export Manual :**

**oui mon mari non mon mari roman**

outsiders literature guide secondary solutions

**outdoor power equipment flat rate labor guide**

outlander sport manual transmission

owner manual 1998 mercury mountaineer

**otto snoek ukrainian crossroads**

**otc turbo pulse 350 manual**

**overview of the female reproductive system answers**

our daily head preacher taboo erotica english edition

otc xd 500 manual

osha drilling rig safety manual

*outlook 2013 user guide*

oster 3001 owners manual

ovation guitar manual

outback steakhouse crouton recipe

**Same Centurion 75 Export Manual :**

*introduction to modern set theory virginia commonwealth - Sep 02 2022*

web 4 7 embedding mathematics into set theory 4 7 1 z 4 7 2 q 4 7 3 r 4 8 exercises 5 in nite numbers 62 5 1 cardinality 5 2

cardinality with choice 5 3 ordinal arithmetic 5 4 cardinal arithmetic 5 5 co nality 5 6 in nite operations and more

exponentiation 5 7 counting 5 8 exercises 6 two models of set theory 85 6 1 a set model for zfc 6 2 the

**set theory free step by step lesson for introduction to sets - Jun 30 2022**

web set theory lesson and examples introductions to sets use the following examples and interactive exercises to learn about

introductions to sets example 1 kyesha was in math class with her friend angie she whispered to angie that she had just

bought a set of winter clothes the outerwear collection includes a coat a hat a scarf gloves

**set theory a first course cambridge university press - Oct 03 2022**

web set theory is a rich and beautiful subject whose fundamental concepts permeate virtually every branch of mathematics

yet most mathematics students receive only a cursory overview of the theory of sets in their lower division courses set theory



is a subject that is sufficiently important and interesting to merit its own undergraduate course

[labyrinth of thought a history of set theory and its role in](#) - Mar 28 2022

web the original el nacimiento de la teoría de conjuntos was very well received see for example roger cooke s comments in modern logic review and the present english version is well worth reading not just by historians of mathematics specializing in set theory and logic but by any mathematician with an interest in the origins of set theory

**logic and set theory books mathematics stack exchange** - Jul 12 2023

web may 29 2020 lectures in set theory various authors edited by morley i found the essay on the definition of l gödel s constructible class to be the easiest and clearest intro to l that i ve seen introduction to set theory and modern analysis by simmons set theory an introduction to independence proofs by k kunen

**set theory the third millennium edition revised and expanded** - Feb 07 2023

web buy set theory the third millennium edition revised and expanded springer monographs in mathematics 3rd rev ed corr 4th printing 2006 by jech thomas isbn 9783540440857 from amazon s book store

**math shorts set theory kindle edition amazon co uk** - Sep 14 2023

web from the basics of sets relations and functions the text takes the reader all the way to one of the most exciting topics in mathematics the cardinality of infinite sets from the author of the math shorts series great formulas explained statistical snacks and many more

**math shorts set theory kindle edition amazon ca** - Jun 11 2023

web select the department you want to search in

**introduction to set theory revised and expanded** - Mar 08 2023

web jan 30 2017 thoroughly revised updated expanded and reorganized to serve as a primary text for mathematics courses introduction to set theory third edition covers the basics relations functions orderings finite countable and uncountable sets and cardinal and ordinal numbers

**set theory the third millennium edition revised and expanded** - Jan 06 2023

web jan 2 2013 the bibliography the section on notation and the index have been considerably expanded as well this new edition will certainly become a standard reference on set theory for years to come jörg d brendle zentralblatt math vol 1007 2003 thomas jech s set theory contains the most comprehensive treatment of the subject

[sets definition theory formula and properties vedantu](#) - Aug 01 2022

web nov 12 2023 in mathematics sets are essentially a collection of different items that form a group a set can contain any number of elements such as numbers days of the week car types and so on each object in the set is referred to as an element of the set when writing a set curly brackets are used

**amazon best sellers best mathematical set theory** - Aug 13 2023

web best sellers in mathematical set theory 1020 sudoku puzzles for adults sudoku puzzle book for adults easy to hard with full solutions 1000 sudoku diabolical to extreme puzzle book for adults a book with 1000 sudoku puzzles from

amazon com customer reviews math shorts set theory - May 10 2023

web find helpful customer reviews and review ratings for math shorts set theory at amazon com read honest and unbiased product reviews from our users

**buy set theory the third millennium edition revised and** - Apr 28 2022

web set theory the third millennium edition revised and expanded springer monographs in mathematics hardcover 21 march 2006 by thomas jech author 4 9 27 ratings see all formats and editions kindle edition 4 668 30 read with our free app hardcover 13 073 00 10 new from 13 073 00 emi starts at 634 no cost emi available emi options

*the early development of set theory stanford encyclopedia of philosophy* - May 30 2022

web apr 10 2007 this already suggests that in order to discuss the early history it is necessary to distinguish two aspects of set theory its role as a fundamental language and repository of the basic principles of modern mathematics and its role as an independent branch of mathematics classified today as a branch of mathematical logic

**math shorts set theory english edition stage gapinc** - Feb 24 2022

web math shorts set theory english edition mathematics of the transcendental set theory for the working mathematician handbook of mathematics library of congress subject headings trends in set theory a short course in discrete mathematics a book of set theory handbook of mathematics the pearson guide to quantitative aptitude for

**math shorts set theory softarchive** - Nov 04 2022

web dec 6 2021 math shorts set theory books ebooks english 2013 isbn n a asin b00teglfak 116 pages rar pdf azw3 1 34 mb set theory is the foundation of

a little set theory never hurt anybody mathematical and - Apr 09 2023

web as is common in mathematics we can refer to a set by naming it with a letter for example  $s$   $x \in s$  definition 2 an object  $x$  is an element or member of a set  $s$  written  $x \in s$  if  $x$  satisfies the rule defining membership in  $s$  we can write  $x \notin s$  if  $x$  is not an element of  $s$  definition 3 the empty set or null set denoted  $\emptyset$  or  $\varnothing$  is the

*set theory basics definitions types of sets symbols* - Dec 05 2022

web set theory is a branch of mathematical logic where we learn sets and their properties a set is a collection of objects or groups of objects these objects are often called elements or members of a set for example a group of players in a cricket team is a set

**math shorts set theory kindle edition amazon com** - Oct 15 2023

web feb 8 2015 from the basics of sets relations and functions the text takes the reader all the way to one of the most exciting topics in mathematics the cardinality of infinite sets from the author of the math shorts series great formulas explained statistical snacks and many more

*eschilo le tragedie tutto il teatro di eschilo pe book* - Nov 25 2022

web le tragedie che la compongono rappresentano un'unica storia suddivisa in tre episodi le cui radici affondano nella tradizione mitica dell'antica Grecia l'assassinio di

eschilo e il teatro greco storia e caratteristiche studenti it - Feb 26 2023

web varied evocations of choral lyric in fifth century Greek tragedy using a variety of methodological approaches that illustrate the myriad forms through which lyric is present

**eschilo le tragedie overdrive** - Dec 15 2021

web eschilo le tragedie tutto il teatro di eschilo pe e ez manuale della letteratura greca rivista contemporanea sofocle le tragedie raffronto tra l'edipo re di sofocle e l'edipo

eschilo le tragedie tutto il teatro di eschilo pe pdf ftp bonide - Aug 23 2022

web tutte le tragedie testo greco a frontefrutto di oltre dieci anni di lavoro questa edizione di tutta la tragedia greca con testo a fronte la prima a essere realizzata interamente da un

**le tragedie di eschilo appunti di greco gratis studenti it** - Jun 01 2023

web 1 2 3 eschilo tragedie eschilo tragedie persiani 472 a c i protagonisti sono i vinti della battaglia di Salamina avvenuta nel 480 a c l'azione tragica si svolge alla corte

**eschilo le tragedie tutto il teatro di eschilo pe pdf** - Jan 16 2022

web tutto il teatro di eschilo persiani sette contro Tebe supplici Agamennone Coefore Eumenidi Prometeo incatenato una lettura altamente poetica ma perfettamente

**eschilo le tragedie tutto il teatro di eschilo pe 2023** - Sep 04 2023

web eschilo le tragedie tutto il teatro di eschilo pe 1 eschilo le tragedie tutto il teatro di eschilo pe le tragedie sapere it eschilo le tragedie tutto il teatro di

*eschilo le tragedie tutto il teatro di eschilo pe copy* - Feb 14 2022

web eschilo le tragedie tutto il teatro di eschilo pe tutto il teatro feb 02 2023 il teatro di Eduardo de Filippo jul 03 2020 Eduardo de Filippo 1900 1984 e uno dei maggiori

**eschilo wikipedia** - Oct 25 2022

web eschilo le tragedie tutto il teatro di eschilo pe 5 5 inestricabili con un passato che in modo immutato ancora ci seduce e ci angoschia con i suoi enigmi una voce

**eschilo le tragedie tutto il teatro di eschilo pe download** - May 20 2022

web eschilo le tragedie tutto il teatro di eschilo pe revival and revision of the trojan myth apr 23 2022 die alternativen fassungen des trojanischen mythos von dictys und

**eschilo le tragedie tutto il teatro di eschilo pe** - Aug 03 2023

web eschilo le tragedie tutto il teatro di eschilo pe brill s companion to episodes of heroic rape abduction in classical antiquity and their reception sep 12 2020 this

**eschilo le tragedie tutto il teatro di eschilo pe legacy theoec** - Sep 23 2022

web eschilo le tragedie tutto il teatro di eschilo pe 3 3 fortuna saggio di storia naturale delle belle lettere ad uso della studiosa gioventu di nicolantonio bianco marsilio editori

*eschilo le tragedie tutto il teatro di eschilo persiani prometeo* - Jul 02 2023

web eschilo e il suo teatro didascalico studia rapido le tragedie di seneca filosofia a teatro lacooltura eschilo le tragedie e book di eschilo tragedia greca di eschilo sofocle ed

*eschilo le tragedie tutto il teatro di eschilo pe copy* - Apr 30 2023

web tra le vie da percorrere e ne fa il proprio destino attraverso la lettura di testi di sei straordinari protagonisti del romanzo italiano nella prima metà del novecento ideatori di

le tragedie eschilo studiafacile sapere it - Dec 27 2022

web shows how italian playwrights made ancient tragedy relevant to their audiences the book challenges the traditional critical approach to the italian renaissance tragedy as a mere

**pdf eschilo le tragedie tutto il teatro di eschilo pe** - Mar 18 2022

web eschilo le tragedie tutto il teatro di eschilo pe i poeti italiani nov 06 2020 historical memoir on italian tragedy from the earliest period to the present time etc jul 15

**eschilo le tragedie tutto il teatro di eschilo pe 2022 protese** - Jul 22 2022

web tutto il teatro di eschilo persiani sette contro tebe supplici agamennone coefore eumenidi prometeo incatenato una lettura altamente poetica ma perfettamente

**eschilo le tragedie on apple books** - Jun 20 2022

web 2 2 eschilo le tragedie tutto il teatro di eschilo pe 2021 12 09 internazionale posteitaliane il costo della spedizione è per i paesi della zona 1 di

**eschilo le tragedie tutto il teatro di eschilo pe** - Apr 18 2022

web eschilo le tragedie tutto il teatro di eschilo pe tutto il teatro nov 11 2019 tutto il teatro dec 13 2019 le commedie di pirandello pubblicate col titolo di maschere

*eschilo le tragedie tutto il teatro di eschilo pe* - Jan 28 2023

web i sette a tebe È l'unica tragedia rimasta della trilogia che si apriva con il laio e l'edipo e terminava con il dramma satiresco sfinge in essa si compie l'orrendo destino della

*eschilo le tragedie tutto il teatro di eschilo pe pdf* - Nov 13 2021

*eschilo le tragedie tutto il teatro di eschilo pe* - Oct 05 2023

web eschilo le tragedie tutto il teatro di eschilo pe eschilo sofocle euripide tutte le tragedie angelo tonelli reggio emilia 15 11 2012 le supplici di eschilo teatro

*eschilo tutte le tragedie libro rusconi libri libreria ibs* - Mar 30 2023

web il cielo sopra la mia testa di charlotte guillain recensioni 5 5 classici poesia teatro e critica letteratura teatrale salvato in 15 liste dei desideri eschilo tutte le tragedie e

**the best songs of dolly parton dolly parton greatest hits** - Sep 29 2021

web nov 24 2023 espectro caudillo the experimental electronic project of reuben torres based their upcoming studio album la liturgia del tigre blanco on daniel salinas

*the dolly parton rockstar songs that rock the hardest* - Mar 16 2023

web jan 19 2022 dolly parton here you come again the 11th annual cma awards this was the title track from dolly s 1977 album and was her first crossover pop hit in the us

**the very best hits of dolly parton pvg Noten Song Full pdf** - Sep 10 2022

web the very best hits of dolly parton pvg hal leonard corporation piano vocal guitar artist songbook 27 hits from these rock legends in piano vocal guitar arrangements

*the very best hits of dolly parton pvg google books* - Jul 20 2023

web big note songbook big note arrangements of 17 songs from the film adaptation of the megahit musical featuring the songs of abba includes dancing queen does your

**dolly parton s rockstar album review aarp** - Jan 14 2023

web stories behind the greatest hits of christmas 16pt large print edition the very best hits of dolly parton pvg big book of 60s songs pvg the best of dolly parton piano

**12 best dolly parton songs of all time greatest hits** - Sep 22 2023

web learn 15 of the very best hits of dolly parton sassy witty and creatively crafted tunes whose simple lyrics and catchy melodies made them some of the most loved songs of

**dolly parton greatest hits best songs of dolly parton playlist** - Mar 04 2022

web pronouncement the very best hits of dolly parton pvg noten song as competently as evaluation them wherever you are now the very best hits of dolly parton pvg noten

**dolly parton 15 best songs ranked goldderby** - Oct 11 2022

web 11 21 2023 dolly parton courtesy of butterfly records dolly parton had a sweet technique in getting paul mccartney and ringo starr to collaborate with her on her

the very best of dolly parton wikipedia - Aug 09 2022

web nov 13 2023 7 my tennessee mountain home on the sleeve for dolly parton s heavily autobiographical 1973 album my tennessee mountain home the wooden cabin where

**best dolly parton songs billboard** - Dec 13 2022

web the very best of dolly parton is a compilation album by dolly parton released 7 march 2007 it was certified platinum in australia ireland and the united kingdom track listing

**the very best hits of dolly parton pvg noten song** - Jul 28 2021

**the very best of dolly parton lyrics and tracklist genius** - Feb 03 2022

web the best songs of dolly parton dolly parton greatest hits playlist top 40 songs of dolly partonthe best songs of dolly parton dolly parton greatest hit

*the very best hits of dolly parton pvg noten song download* - Feb 15 2023

web nov 10 2022 14 dumb blonde 1966 she didn t write this one curly putman did but she sang it with a tongue in cheek sass that we would all come to love this was parton s

*the very best hits of dolly parton pvg goodreads* - Oct 23 2023

web feb 16 2015 learn 15 of the very best hits of dolly parton sassy witty and creatively crafted tunes whose simple lyrics and catchy melodies made them some of the most

*the top 20 dolly parton songs ever taste of country* - Apr 24 2021

*dolly parton s 10 best songs from jolene to the bargain store* - Apr 05 2022

web thank you for watching you have a good day don t forget to like comment share and subscribe to my channel subscribe and ring the bell to receive noti

the very best hits of dolly parton pvg noten song copy - May 06 2022

web nov 17 2023 parton 77 spent the past year not only recording a wallop of an album 30 songs on the fittingly titled rockstar out now but recruiting an astounding lineup of

*dolly parton s 10 best songs ever ranked smooth radio* - Nov 12 2022

web the library of easy piano pop songs 33 1 3 greatest hits i am the warrior the very best hits of dolly parton pvg noten song omb no edited by delgado brenda the

*8 music books to read this fall winter britney spears memoir* - May 26 2021

*dolly parton gretatest hits top 20 best songs of dolly* - Dec 01 2021

web the very best hits of dolly parton pvg noten song 1 the very best hits of dolly parton pvg noten song the very best of dean martin the best of dolly parton

pdf the very best hits of dolly parton pvg noten song - May 18 2023

web bradley cooper she got the best of me luke combs shotgun george ezra without me halsey you say lauren daigle and more dolly parton greatest

**25 best dolly parton songs dolly parton s biggest hits oprah** - Jun 19 2023

web nov 17 2023 vijat mohindra butterfly records dolly parton has always been a rock star but on her 49th solo album she s got the leopard print and leather to prove it rockstar

*50 best dolly parton songs rolling stone* - Aug 21 2023

web nov 10 2020 since the late 50s dolly parton has put out dozens of iconic hits these 25 songs including jolene and 9 to 5 are among some of her best

the 200 best 80s songs top tunes from the 1980s rolling - Jun 26 2021

**dolly parton sent love note to paul mccartney ringo starr** - Jun 07 2022

web mar 7 2007 dolly parton the very best of dolly parton lyrics and tracklist genius

**dolly parton collaborates with mccartney pink on rockstar album** - Jan 02 2022

web thanks for watching you have a good day don t forget to like comment share and subscribe to my channel subscribe and ring the bell to receive notific

**the very best hits of dolly parton pvg noten song copy** - Oct 31 2021

web 1 day ago public enemy brings the noise madonna brings the sex there s chicago house detroit techno miami freestyle d c go go there s ska goth reggae acid

**best songs of dolly parton dolly parton greatest hits youtube** - Aug 29 2021

web may 5 2023 no 5 islands in the stream islands in the stream is one of the most popular karaoke choices out there but few karaoke night performers have the vocal

[20 best dolly parton songs dolly parton s most](#) - Apr 17 2023

web 2 days ago the song opens with a hokey sketch that finds parton practicing electric guitar riffs as voices warn her against straying from what she knows a reminder of the

[the very best hits of dolly parton pvg noten song 2023](#) - Jul 08 2022

web aug 30 2017 dolly parton greatest hits best songs of dolly parton playlist song love 33 3k subscribers subscribe  
subscribed 1 2