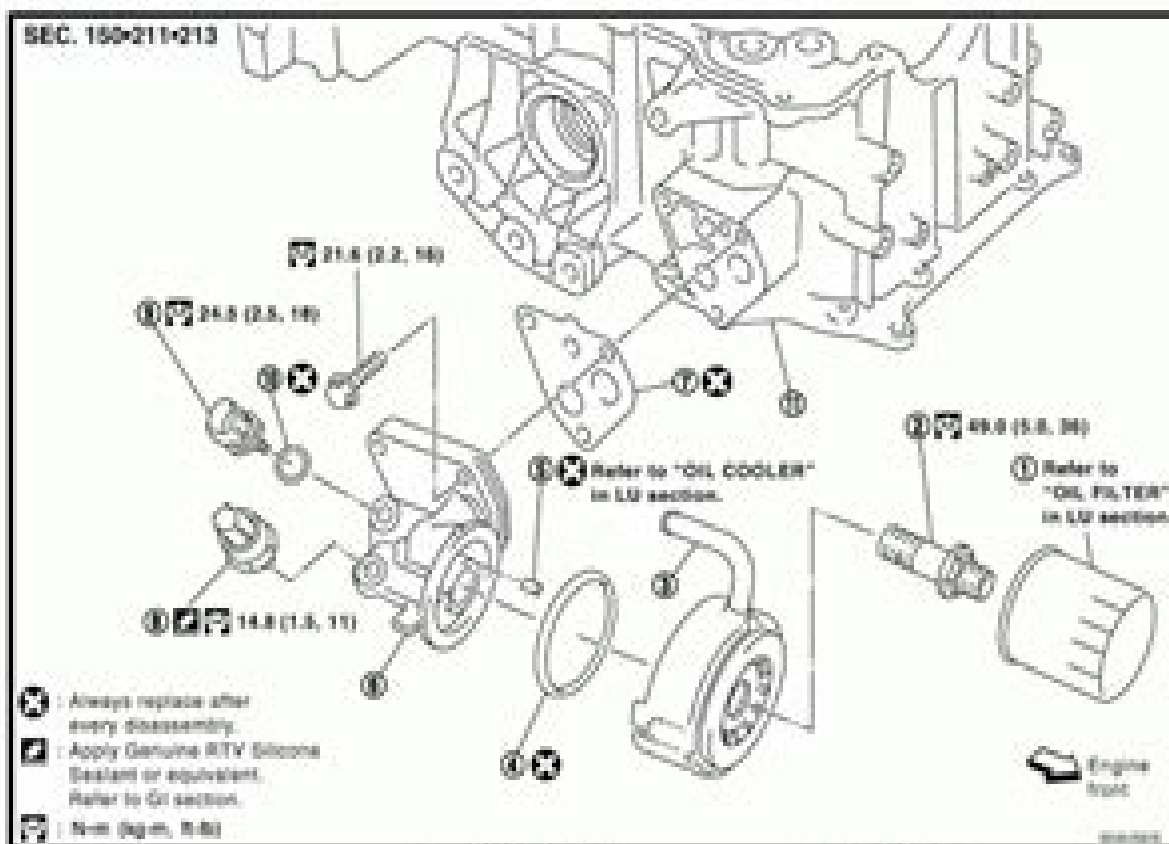


Removal and Installation

SEC. 150-211-013



- Always replace after every disassembly.
- Apply Genuine RTV Silicone Sealant or equivalent. Refer to Oil section.
- Nm (kgm, ft-lb)

- | | | |
|---------------|------------------------|---------------------------|
| 1. Oil filter | 2. Connector bolt | 3. Oil cooler |
| 4. O-ring | 5. Relief valve | 6. Oil filter bracket |
| 7. Gasket | 8. Oil pressure switch | 9. Oil temperature sensor |
| 10. Washer | 11. Oil pan (upper) | |

REMOVAL

WARNING:

Be careful not to burn yourself, as engine oil may be hot.

1. Remove front engine undercover with power tool.
2. Using oil filter wrench [SST: KV10115801 (J38956)], remove oil filter. Refer to [LUBRICATION PROCEDURES](#).

www.epcatalogs.com

Samsung Q45 Service Manual Repair Guide

Sebastian Brünink



Samsung Q45 Service Manual Repair Guide:

Popular Science ,2004-09 Popular Science gives our readers the information and tools to improve their technology and their world The core belief that Popular Science and our readers share The future is going to be better and science and technology are the driving forces that will help make it better **Volvo Service Manual Repair Instructions** ,1975

Volvo Service Manual Repair Instructions ,1975 **Saab 900 8 Valve** Bentley Publishers,1992 These official Saab manuals are the only factory authorized comprehensive single source of service information and specifications available Whether you re a professional technician or a do it yourselfer these manuals will help you understand care for and repair your Saab Everything from fundamental automotive concepts and maintenance procedures to complex electrical system troubleshooting and complete engine overhaul is clearly explained Critical updates and information from the Saab Service Information Manual the Parts Service Information System and Saab Service Training have been included as well as fast proven repair procedures and tips used by Saab technicians Saab 9000 (4-Cyl) ('85 to '95) A. K. Legg,Haynes Publishing PLC,Spencer Drayton,1995 **Volvo 240 Service Manual** Bentley Publishers,2011-04 The Volvo 240 Service Manual 1983 1993 is a comprehensive source of service information and specifications for Volvo 240 and other Volvo 200 series cars built from model years 1983 through 1993 Whether you re a professional technician or a do it yourself Volvo owner this manual will help you understand maintain and repair systems on the Volvo 240 Volvo 200 series and 240 models covered in this repair manual 1983 1985 DL GL 1983 1985 Turbo 1986 1993 240 240 DL Volvo 200 series and 240 gasoline engines covered in this repair manual B21F B21F T Turbo B23F B230F *Volvo 850 Service and Repair Manual* John S. Mead,2015 **YOU HAD ME AT HELLO WORLD** A. EDMOND. JOHNSON,EMMA. MCCOY,NICOLE. BOX,SUSAN. GARNER,2025 *Galaxy S4* Preston Gralla,2013 Covers Mini other TouchWiz Galaxy S4 models Cover **Saab 9. 3 5849029 GT1749MV**

Turbocharger Rebuild and Repair Guide: Brian Smothers,2014-11-01 This shop manual covers the proper disassembly inspection rework assembly and installation of the 5849029 turbocharger including the variable vane system found on the Saab 9 3 diesel cars Written by an industry professional this book contains full color photos diagrams torque specs and best practices Repairing your 5849029 turbocharger is easy and cost effective if you know how Volvo 400 Series Service and Repair Manual A. K. Legg,1999 Hatchback Saloon Coupe inc Turbo special limited editions Petrol 1 6 litre 1596cc 1 7 litre 1721cc 1 8 litre 1794cc 2 0 litre 1998cc

Saab 9. 3 755046-0002 GT1749MV Turbocharger Rebuild and Repair Guide: Brian Smothers,2014-12-01 This shop manual covers the proper disassembly inspection rework assembly and installation of the 755046 0002 turbocharger including the variable vane system found on the Saab 9 3 diesel cars Written by an industry professional this book contains full color photos diagrams torque specs and best practices Repairing your 755046 0002 turbocharger is easy and cost effective if you know how

Samsung Galaxy Z Fold 2 Richard Morrison,2020-10-07 Do You Want to Push Your New Samsung Galaxy Z fold 2 to its Limits Then Continue Reading Samsung Galaxy Z fold 2 is your

perfect smartphone for gaming texting and talking This foldable device should be taken into consideration if you have an intention to purchase a phone Samsung took feedback from the Galaxy Z fold because the new Galaxy Z fold 2 is of excellent quality and can be described as a Portable Computer The multi active window feature in this device helps you use three compatible apps at once as it is built to help you in multi purpose functionality and productivity The ambient light sensor gyroscope accelerometer and proximity sensor compass magnetometer are many sensors that this phone has With its sweeper technology Samsung has improved its durability so that dust can be kept out of the device with ease This Guide is packed with tips and step by step instructions to help you navigate and set up your device with ease Other in depth information contained in this manual include How to fold your device How to navigate your device How to activate edge lighting How to access and use the keyboard toolbar How to input text by using the Samsung voice How to access augmented reality by going to the AR zone How to capture photos using single take How to use the live focus How to use the scene optimizer How to record videos How to make a live focus video How to use super slow mo How to use super steady How to configure camera settings for pictures How to configure camera settings for videos How to use Samsung health How to use Samsung pay How to access your device setting How to manage connections And many more This user manual will walk you through the whole process without any hassles So what are you waiting for Scroll up you will see the orange BUY NOW button on the top right corner and download your copy now See you inside

SAAB 9.3 766340-5001s Gt1749mv Turbocharger Rebuild and Repair Guide Brian Smothers,2014-12-01 This shop manual covers the proper disassembly inspection rework assembly and installation of the 766340 5001S turbocharger including the variable vane system found on the Saab 9 3 diesel cars Written by an industry professional this book contains full color photos diagrams torque specs and best practices Repairing your 766340 5001S turbocharger is easy and cost effective if you know how *Saab 9. 3 755046-5002S GT1749MV Turbocharger Rebuild and Repair Guide:* Brian Smothers,2014-11-01 This shop manual covers the proper disassembly inspection rework assembly and installation of the 755046 5002S turbocharger including the variable vane system found on the Saab 9 3 diesel cars Written by an industry professional this book contains full color photos diagrams torque specs and best practices Repairing your 755046 5002S turbocharger is easy and cost effective if you know how

[Samsung Galaxy Z Flip 6 User Guide](#) Felix Klein Wagner,2025-04-29 Discover the Full Capabilities of Your Samsung Galaxy Z Flip 6 with This Easy to Follow User Manual Whether you are new to foldable smartphones or an experienced user this manual provides clear step by step instructions to help you get the most out of your device Explore the Key Features of the Galaxy Z Flip 6 Seamless Performance Optimize your device for faster smoother operation by adjusting processor memory and battery settings Personalized Customization Learn how to personalize every aspect of your phone from the home screen layout to display settings to make it uniquely yours Effortless Connectivity Set up Wi Fi Bluetooth NFC and Mobile Hotspot and explore Samsung DeX for a desktop like experience Photography and Videography Master the camera system

with tips for taking stunning photos and videos using modes like Portrait Night and Pro Mode Battery Management Extend battery life with power saving modes and learn how to manage apps that consume excessive energy Troubleshooting and Support Get practical advice for solving common problems and learn how to contact Samsung support for additional help This guide is designed for anyone who wants to optimize their device customize settings or troubleshoot issues easily Whether you aim to maximize performance capture beautiful photos or extend battery life this guide offers practical tips to make the most of your Samsung Galaxy Z Flip 6 Ideal for users who want to Explore advanced features of the Z Flip 6 Optimize performance and improve daily use Save battery life with effective management techniques Enhance their photography and videography skills Stay connected with easy to understand setup instructions Get started today and experience the features of your Samsung Galaxy Z Flip 6 with confidence and ease **Infiniti Q45 1994**, 1994

Samsung Galaxy Z Fold 2 For The Elderly (Large Print Edition) Richard Morrison, 2020-10-07 Do You Want to Push Your New Samsung Galaxy Z fold 2 to its Limits Then Continue Reading Samsung Galaxy Z fold 2 is your perfect smartphone for gaming texting and talking This foldable device should be taken into consideration if you have an intention to purchase a phone Samsung took feedback from the Galaxy Z fold because the new Galaxy Z fold 2 is of excellent quality and can be described as a Portable Computer The multi active window feature in this device helps you use three compatible apps at once as it is built to help you in multi purpose functionality and productivity The ambient light sensor gyroscope accelerometer and proximity sensor compass magnetometer are many sensors that this phone has With its sweeper technology Samsung has improved its durability so that dust can be kept out of the device with ease This Guide is packed with tips and step by step instructions to help you navigate and set up your device with ease Other in depth information contained in this manual include How to fold your device How to navigate your device How to activate edge lighting How to access and use the keyboard toolbar How to input text by using the Samsung voice How to access augmented reality by going to the AR zone How to capture photos using single take How to use the live focus How to use the scene optimizer How to record videos How to make a live focus video How to use super slow mo How to use super steady How to configure camera settings for pictures How to configure camera settings for videos How to use Samsung health How to use Samsung pay How to access your device setting How to manage connections And many more This user manual will walk you through the whole process without any hassles So what are you waiting for Scroll up you will see the orange BUY NOW button on the top right corner and download your copy now See you inside [Infiniti Q45 1995](#), 1994 *HOME APPLIANCE REPAIR THE ULTIMATE MANUAL* MATTI. J. SISTONEN, 2025

Unveiling the Magic of Words: A Report on "**Samsung Q45 Service Manual Repair Guide**"

In some sort of defined by information and interconnectivity, the enchanting power of words has acquired unparalleled significance. Their ability to kindle emotions, provoke contemplation, and ignite transformative change is really awe-inspiring. Enter the realm of "**Samsung Q45 Service Manual Repair Guide**," a mesmerizing literary masterpiece penned by way of a distinguished author, guiding readers on a profound journey to unravel the secrets and potential hidden within every word. In this critique, we shall delve in to the book is central themes, examine its distinctive writing style, and assess its profound affect the souls of its readers.

https://crm.avenza.com/public/publication/Documents/Revue_De_La_Filigravere_Matheacutematiques_Rms.pdf

Table of Contents Samsung Q45 Service Manual Repair Guide

1. Understanding the eBook Samsung Q45 Service Manual Repair Guide
 - The Rise of Digital Reading Samsung Q45 Service Manual Repair Guide
 - Advantages of eBooks Over Traditional Books
2. Identifying Samsung Q45 Service Manual Repair Guide
 - Exploring Different Genres
 - Considering Fiction vs. Non-Fiction
 - Determining Your Reading Goals
3. Choosing the Right eBook Platform
 - Popular eBook Platforms
 - Features to Look for in an Samsung Q45 Service Manual Repair Guide
 - User-Friendly Interface
4. Exploring eBook Recommendations from Samsung Q45 Service Manual Repair Guide
 - Personalized Recommendations
 - Samsung Q45 Service Manual Repair Guide User Reviews and Ratings
 - Samsung Q45 Service Manual Repair Guide and Bestseller Lists

5. Accessing Samsung Q45 Service Manual Repair Guide Free and Paid eBooks
 - Samsung Q45 Service Manual Repair Guide Public Domain eBooks
 - Samsung Q45 Service Manual Repair Guide eBook Subscription Services
 - Samsung Q45 Service Manual Repair Guide Budget-Friendly Options
6. Navigating Samsung Q45 Service Manual Repair Guide eBook Formats
 - ePub, PDF, MOBI, and More
 - Samsung Q45 Service Manual Repair Guide Compatibility with Devices
 - Samsung Q45 Service Manual Repair Guide Enhanced eBook Features
7. Enhancing Your Reading Experience
 - Adjustable Fonts and Text Sizes of Samsung Q45 Service Manual Repair Guide
 - Highlighting and Note-Taking Samsung Q45 Service Manual Repair Guide
 - Interactive Elements Samsung Q45 Service Manual Repair Guide
8. Staying Engaged with Samsung Q45 Service Manual Repair Guide
 - Joining Online Reading Communities
 - Participating in Virtual Book Clubs
 - Following Authors and Publishers Samsung Q45 Service Manual Repair Guide
9. Balancing eBooks and Physical Books Samsung Q45 Service Manual Repair Guide
 - Benefits of a Digital Library
 - Creating a Diverse Reading Collection Samsung Q45 Service Manual Repair Guide
10. Overcoming Reading Challenges
 - Dealing with Digital Eye Strain
 - Minimizing Distractions
 - Managing Screen Time
11. Cultivating a Reading Routine Samsung Q45 Service Manual Repair Guide
 - Setting Reading Goals Samsung Q45 Service Manual Repair Guide
 - Carving Out Dedicated Reading Time
12. Sourcing Reliable Information of Samsung Q45 Service Manual Repair Guide
 - Fact-Checking eBook Content of Samsung Q45 Service Manual Repair Guide
 - Distinguishing Credible Sources
13. Promoting Lifelong Learning

- Utilizing eBooks for Skill Development
 - Exploring Educational eBooks
14. Embracing eBook Trends
- Integration of Multimedia Elements
 - Interactive and Gamified eBooks

Samsung Q45 Service Manual Repair Guide Introduction

In the digital age, access to information has become easier than ever before. The ability to download Samsung Q45 Service Manual Repair Guide has revolutionized the way we consume written content. Whether you are a student looking for course material, an avid reader searching for your next favorite book, or a professional seeking research papers, the option to download Samsung Q45 Service Manual Repair Guide has opened up a world of possibilities. Downloading Samsung Q45 Service Manual Repair Guide provides numerous advantages over physical copies of books and documents. Firstly, it is incredibly convenient. Gone are the days of carrying around heavy textbooks or bulky folders filled with papers. With the click of a button, you can gain immediate access to valuable resources on any device. This convenience allows for efficient studying, researching, and reading on the go. Moreover, the cost-effective nature of downloading Samsung Q45 Service Manual Repair Guide has democratized knowledge. Traditional books and academic journals can be expensive, making it difficult for individuals with limited financial resources to access information. By offering free PDF downloads, publishers and authors are enabling a wider audience to benefit from their work. This inclusivity promotes equal opportunities for learning and personal growth. There are numerous websites and platforms where individuals can download Samsung Q45 Service Manual Repair Guide. These websites range from academic databases offering research papers and journals to online libraries with an expansive collection of books from various genres. Many authors and publishers also upload their work to specific websites, granting readers access to their content without any charge. These platforms not only provide access to existing literature but also serve as an excellent platform for undiscovered authors to share their work with the world. However, it is essential to be cautious while downloading Samsung Q45 Service Manual Repair Guide. Some websites may offer pirated or illegally obtained copies of copyrighted material. Engaging in such activities not only violates copyright laws but also undermines the efforts of authors, publishers, and researchers. To ensure ethical downloading, it is advisable to utilize reputable websites that prioritize the legal distribution of content. When downloading Samsung Q45 Service Manual Repair Guide, users should also consider the potential security risks associated with online platforms. Malicious actors may exploit vulnerabilities in unprotected websites to distribute malware or steal personal information. To protect themselves, individuals should ensure their devices have reliable antivirus software installed and validate the legitimacy of the websites

they are downloading from. In conclusion, the ability to download Samsung Q45 Service Manual Repair Guide has transformed the way we access information. With the convenience, cost-effectiveness, and accessibility it offers, free PDF downloads have become a popular choice for students, researchers, and book lovers worldwide. However, it is crucial to engage in ethical downloading practices and prioritize personal security when utilizing online platforms. By doing so, individuals can make the most of the vast array of free PDF resources available and embark on a journey of continuous learning and intellectual growth.

FAQs About Samsung Q45 Service Manual Repair Guide Books

1. Where can I buy Samsung Q45 Service Manual Repair Guide books? Bookstores: Physical bookstores like Barnes & Noble, Waterstones, and independent local stores. Online Retailers: Amazon, Book Depository, and various online bookstores offer a wide range of books in physical and digital formats.
2. What are the different book formats available? Hardcover: Sturdy and durable, usually more expensive. Paperback: Cheaper, lighter, and more portable than hardcovers. E-books: Digital books available for e-readers like Kindle or software like Apple Books, Kindle, and Google Play Books.
3. How do I choose a Samsung Q45 Service Manual Repair Guide book to read? Genres: Consider the genre you enjoy (fiction, non-fiction, mystery, sci-fi, etc.). Recommendations: Ask friends, join book clubs, or explore online reviews and recommendations. Author: If you like a particular author, you might enjoy more of their work.
4. How do I take care of Samsung Q45 Service Manual Repair Guide books? Storage: Keep them away from direct sunlight and in a dry environment. Handling: Avoid folding pages, use bookmarks, and handle them with clean hands. Cleaning: Gently dust the covers and pages occasionally.
5. Can I borrow books without buying them? Public Libraries: Local libraries offer a wide range of books for borrowing. Book Swaps: Community book exchanges or online platforms where people exchange books.
6. How can I track my reading progress or manage my book collection? Book Tracking Apps: Goodreads, LibraryThing, and Book Catalogue are popular apps for tracking your reading progress and managing book collections. Spreadsheets: You can create your own spreadsheet to track books read, ratings, and other details.
7. What are Samsung Q45 Service Manual Repair Guide audiobooks, and where can I find them? Audiobooks: Audio recordings of books, perfect for listening while commuting or multitasking. Platforms: Audible, LibriVox, and Google Play Books offer a wide selection of audiobooks.

8. How do I support authors or the book industry? Buy Books: Purchase books from authors or independent bookstores. Reviews: Leave reviews on platforms like Goodreads or Amazon. Promotion: Share your favorite books on social media or recommend them to friends.
9. Are there book clubs or reading communities I can join? Local Clubs: Check for local book clubs in libraries or community centers. Online Communities: Platforms like Goodreads have virtual book clubs and discussion groups.
10. Can I read Samsung Q45 Service Manual Repair Guide books for free? Public Domain Books: Many classic books are available for free as they're in the public domain. Free E-books: Some websites offer free e-books legally, like Project Gutenberg or Open Library.

Find Samsung Q45 Service Manual Repair Guide :

[revue de la filiegravere matheacutematiques rms](#)

[rhino poaching 2014](#)

[rhetorical analysis a brief guide for writers](#)

[ricoh aficio mp 2000 user manual](#)

[rhythm tree diagram](#)

[rex reed profiles buster keaton](#)

[reviews books book reviews 2](#)

[rexroth hnc100 manual](#)

[ricoh aficio 1515mf user manual](#)

[rheem lazer 710 007 service manual](#)

[ricoh fw780 service manual](#)

[ricoh ft 4015 manual](#)

[rhubarb plauts recipe](#)

[revision guide romeo and juliet](#)

[ricoh aficio mp 2050 manual](#)

Samsung Q45 Service Manual Repair Guide :

[fillable rent receipt template pdf templates jotform](#) - May 13 2023

web aug 10 2020 [fillable rent receipt template pdf preview form preview receipt no r 0016 rent receipt august 10 2020 date](#)

tenant landlord name michael williams name john doe address address 4742 crummit lane murray ne 68049 1747 chandler drive billings missouri 65610 amount paid 1 000 00 payment method cash landlord

rent receipt template fill out sign online and download pdf - Jan 09 2023

web record the actual date of payment enter the rental period and the location of the property being rented sign the receipt and give it to the other party to check and sign you should make two copies of the rent receipt so that both landlord and tenant have an additional paper trail that verifies the payment in case of disagreements or disputes

free printable rental receipt template word pdf excel - May 01 2022

web jun 10 2016 a rental receipt template word pdf excel as well as recognized as rental invoice is a document that reports proves rent payment s various countries states will have different systems on rent receipts however even if it is not necessary by rule to give your occupants with a receipt it is a fine practice to offer one

free rent receipt template and examples word pdf - Sep 05 2022

web using a rent receipt template can save the landlord s time and also ensure consistency in terms of the information that is on the template a rent receipt template can be filled in and used every time a rent receipt is needed for example the property manager s name address and contact information are entered into the template

26 free rent receipt templates editable how to fill - Dec 08 2022

web in contrast a rent receipt template is a fillable form that contains all the essential sections of a standard rent receipt templates have the following advantages they re easy to customize update and reuse making them ideal for different transactions also they can be saved online making them less bulky than receipt books

free rent receipt template zillow rental manager - Apr 12 2023

web jan 17 2020 you can create a rent receipt template yourself or download our free template what is a rent receipt a rent receipt is a document that proves a landlord or property manager received a tenant s rent payment a monthly rent receipt should be sent out after a tenant pays their rent invoice a rent receipt is most commonly used for

rent receipt template fill online printable fillable blank - Mar 31 2022

web how to fill out rent receipt template 01 start by entering the date of the transaction this should be the date when the rent payment is received 02 fill in the tenant s information including their full name address and contact details it

free rent receipt template pdf word eforms - Sep 17 2023

web aug 31 2023 1 collect pay rent the tenant pays the rent in accordance with their rental agreement to the landlord if a receipt is needed then the payment is usually done in cash the landlord will then write the amount paid

rent receipt template for excel vertex42 - Mar 11 2023

web jun 2 2020 rent receipt template for excel and openoffice download excel xlsx for excel 2007 or later google sheets

word for word 2007 or later license private use not for distribution or resale other versions excel 2003 xls openoffice ods no installation no macros just a simple spreadsheet by jon wittwer advertisement

rent receipt template eforms - Nov 07 2022

web street address address line 2 city maine oregon zip code contact details phone e mail rent amount arizona colorado kansas maine north carolina ohio oregon tennessee utah vermont virginia washington west virginia wyoming state

rent receipt template pdf templates jotform - Feb 10 2023

web apr 9 2019 whether you process rent weekly monthly or in a yearly lump sum use this free rent receipt template to quickly generate professional receipts for your tenants and prevent future payment disputes just fill in a short form with landlord info tenant info and payment details and our rent receipt template automatically generates a pdf receipt

free printable rent receipt template pdf word excel - Aug 16 2023

web contents when to use a rent receipt information to include in rent receipts state requirements for providing rent receipts rent receipts for tax purposes single bulk pdf for landlords rent receipts can be helpful for many reasons

rent receipt form in singapore download template docx - Oct 18 2023

web create or write the rent receipt and sign it the receipt must be signed by the landlord because it is the only documentation the renter has that rent was paid 3 make a copy for your renter and one for yourself the receipt will be sent to the renter and should be kept carefully in case the landlord files a claim for nonpayment

23 printable receipt for rent payment forms and templates fillable - Feb 27 2022

web fillable receipt for rent payment collection of most popular forms in a given sphere fill sign and send anytime anywhere from any device with pdffiller thank you receipt template by vertex42 com rent receipt date no received from

free rent receipt templates invoice simple - Jun 14 2023

web the rental property location the rental period covered by the payment the payment method cash check e transfer the date payment was received all of this information is necessary for your records

free printable rent receipt template word excel fillable - Jun 02 2022

web free printable rent receipt template word excel fillable download rent receipts play a crucial role in maintaining a clear and organized record of rental payments for both landlords and tenants it serves as a document that verifies the amount of rent paid and the date it was received by the landlord

50 free rent receipt templates printable excel word - Oct 06 2022

web hand over a copy of the receipt to the tenant and retain the original copy here are several ways for sending a rent receipt to the tenant send a pdf copy of the rent receipt to the tenant via email print and mail a copy of the rent receipt to the tenant print it out and personally hand it over to the tenant

[49 printable rent receipts free templates](#) □ [templatelab](#) - Jul 15 2023

web property management rent receipts 49 printable rent receipts free templates if you operate a rental of any kind you will need to provide rent receipts to your tenants this is one of the best ways to be clear with tenants about their rent payments and to make sure that everyone is on the same page about the payment of these important costs

[rent receipt template online sample word pdf](#) - Jul 03 2022

web oct 8 2023 1 choose this template start by clicking on fill out the template 2 complete the document answer a few questions and your document is created automatically 3 save print your document is ready you will receive it in word and pdf formats you will be able to modify it rent receipt

30 printable rent receipt templates word pdf templatearchive - Aug 04 2022

web jul 27 2020 the details in a rental receipt can vary from one landlord to another but if you plan to make your own template make sure to include the following details payment date payment amount your name as the landlord your signature as the landlord the name of your tenant the property address the rental period

[si ndikon sporti në shendetin tonë ppt slideshare](#) - May 12 2023

web mar 25 2015 si ndikon sporti në shendetin tonë download as a pdf or view online for free

[si ndikon sporti tek shendeti pdf uniport edu](#) - Apr 30 2022

web may 6 2023 si ndikon sporti tek shendeti 1 13 downloaded from uniport edu ng on may 6 2023 by guest si ndikon sporti tek shendeti this is likewise one of the factors by obtaining the soft documents of this si ndikon sporti tek shendeti by online you might not require more era to spend to go to the book opening as skillfully as search for them

[si ndikon sporti tek shendeti 2022 wrbb neu](#) - Feb 26 2022

web thank you very much for reading si ndikon sporti tek shendeti maybe you have knowledge that people have search numerous times for their chosen novels like this si ndikon sporti tek shendeti but end up in malicious downloads rather than reading a good book with a cup of coffee in the afternoon instead they are facing with some

[ushtrimet fizike mbi shendetin ppt slideshare](#) - Mar 10 2023

web may 30 2014 si ndikon sporti në shendetin tonë duke e konsideruar atë shëndetin si kapitalin më të çmuar në jetë shendeti dhe sjellja jone gjeja me e rendesishme per cdo njeri 4 e perparojë as njerëzimi sepse është e ditur se edukimi fizik tek njerëzit është një nga proceset kryesore të zhvillimit të tij edukimi fizik tek

[si ndikon sporti ne ed fizik sport shmb kemishtaj](#) - Jan 08 2023

web si ndikon sporti ne shendetin tone sporti përmirëson formën tonë fizike dhe mendore por gjithashtu zhvillon personalitetin dhe marrëdhëniet tuaja perfitimet nga sporti 1 bëni miq të rinj

shëndeti wikipedia - Dec 07 2022

web shëndeti mendor intelektual emocional dhe shoqëror i referohej aftësisë së një personi për të trajtuar stresin për të fituar aftësi për të mbajtur marrëdhënie të gjitha këto formojnë burime për qëndrueshmëri dhe jetesë të pavarur 4 kjo hap shumë mundësi që shëndeti të mësohet forcohet dhe mësohet

cenk tosun ve hulk ta son durum ne canlı yayında açıkladı - Jan 28 2022

web jan 29 2021 son dakika beşiktaş transfer haberi beşiktaş ta en çok merak edilen transfer konusu hakkında a spor muhabiri sercan dikme son detayları aktardı dikme beşiktaş cenk tosun için everton a teklifini sundu ve olumsuz yanıt aldı hulk cephesinde ise menajeri yaptığı açıklamada bu gece belli olacağını söyledi ifadelerini kullandı

si ndikon sporti në shëndetin tonë revista psikologji - Sep 16 2023

web feb 18 2017 këshilla arsye february 18 2017 7 18 si ndikon sporti në shëndetin tonë sporti përmirëson formën tonë fizike dhe mendore por gjithashtu zhvillon personalitetin dhe marrëdhëniet tuaja përfitimet nga sporti bëni miq të rinj

aktiviteti fizik dhe ndikimi i tij ne shendetin tone pdf slideshare - Aug 15 2023

web mar 12 2019 si ndikon sporti në shendetin tonë ardian hyseni 26 4k views pune me projekt kleahaka 1 2k views biologjia dhe shendeti arens rapushi 3 8k views stresi shkolla arianiti 3 4k views ed fizike pptx andibuqinca 164 views obeziteti melissa cani 13k views muskujt e trupit te njeriut xhesika merko 9 4k views

si ndikon sporti tek shendeti shaul io - Oct 05 2022

web habit in the midst of guides you could enjoy now is si ndikon sporti tek shendeti below suicide ideation and behavior of kosovar adolescents aliriza arënliu 2023 04 02 life in the word joyce meyer 2023 04 02 a dynamic new devotional for the millions who hear the life in the word broadcast on over 280 radio stations and 250

spor vizyon cnn tÜrk - Aug 03 2022

web kapsamlı spor bülteni spor vizyon günün spor gelişmelerini türkiye ve dünyanın spor gündemini canlı yayında aktardı

sporti dhe shëndeti 24info - Jul 14 2023

web feb 9 2012 si ndikon sporti ne shendetin tone studimet e kohëve të fundit tregojnë se ushtrimet fizike ndikojnë për një jetë të shëndetshme më të gjatë më të mirë dhe më të zgjuar tashmë është fakt i njohur se njerëzit që merren rregullisht me sport jetojnë deri në 4 vjet më gjatë se njerëzit që bëjnë pak ose asnjë lloj ushtrimi fizik

sporti dhe shendeti by marsi tresia prezi - Nov 06 2022

web may 8 2016 kohet e fundit eshte studiuar shume maredhenia midis shendetit dhe sportit studimet tregojnë se ushtrimet fizike ndikojne per mire ne jeten e njeriut duke i dhene keshtu nje jetegjatesi me te larte dhe te shendetshme tashmë është fakt i njohur se njerëzit që merren rregullisht me sport jetojnë deri në 4 vjet më gjatë se njerëzit

si ndikon sporti tek shendeti pdf pdf linguisticschool com - Jun 01 2022

web si ndikon sporti tek shendeti pdf recognizing the mannerism ways to get this ebook si ndikon sporti tek shendeti pdf is

additionally useful you have remained in right site to begin getting this info acquire the si ndikon sporti tek shendeti pdf associate that we present here and check out the link

si ndikon sporti tek shendeti pdf uniport edu - Jul 02 2022

web mar 19 2023 evaluation si ndikon sporti tek shendeti what you behind to read queen of the owls barbara linn probst 2020 04 07 a chance meeting with a charismatic photographer will forever change elizabeth s life until she met richard elizabeth s relationship with georgia o keeffe and her little known hawaii paintings was purely
si ndikon sporti tek shendeti pdf - Sep 04 2022

web si ndikon sporti tek shendeti unveiling the magic of words a review of si ndikon sporti tek shendeti in some sort of defined by information and interconnectivity the enchanting power of words has acquired unparalleled significance their power to kindle emotions provoke contemplation and ignite transformative change is actually awe

son dakika haberleri son dakika ve güncel son dakika - Mar 30 2022

web son dakika haberleri en son ve en güncel son dakika haberlerine son dakika son dakika gelişmelerine ulaşmak için hemen tıkla ilk senin haberin olsun

ndikimi i sportit tek të rinjët ponder - Jun 13 2023

web jun 29 2017 sporti ndikon drejtë për drejtë edhe në zhvillimin trupor prandaj nuk është çudi se rreth 80 e basketbollistëve janë të gjatë gjithashtu është vërtetuar se sporti nga femijëria e hershme ndikon edhe në rritjen e intelegjencës dhe rezultateve më të mira në shkollë sporti përveç dobive në shëndet ndihmon edhe në

si ndikojne aktivitetet fizike ne shendetin e njeriut ppt - Apr 11 2023

web jun 4 2017 biologjia dhe shendeti arens rapushi 3 8k views 17 slides si ndikon sporti në shendetin ton tek njerëzit që bënë ushtrime fizike më pak se dy orë në javë aftësia mendore ishte më e ulët se tek ata që bënë fizkulturë për një kohë më të gjatë dhe rregullisht gjithashtu me aktivitetin e ulët fizik lidheshin

sporti dhe shendeti pdf scribd - Feb 09 2023

web edukimi fizik sporti dhe shendeti projekt tema edukimi fizik ne sherbim te shendetit mireqenies dhe komunitetit qellimi te nxirren ne pah te mirat qe na ofron sporti dhe praktikimi i tij ne cdo dite te jetes sone lenda edukim fizik klasa xd punoi matea laraku 1 edukimi fizik sporti dhe shendeti edukimi fizik është një lëndë që ndihmon në formimin

best practices for equity research analysts essentials for buy - Aug 19 2022

sep 21 2011 best practices for equity research analysts essentials for buy side and sell side analysts home business investments best practices for equity research

best practices for equity research analysts essentials for buy - May 28 2023

buy best practices for equity research analysts essentials for buy side and sell side analysts by valentine james isbn

8601404758690 from amazon s book store everyday

best practices for equity research analysts essentials for buy - Oct 21 2022

best practices for equity research analysts essentials for buy side and sell side analysts valentine james amazon com tr kitap pdf *best practices for equity research* - Oct 01 2023

best practices for equity research analysts essentials for buy side and sell side analysts valentine james amazon in books books higher education textbooks

best practices for equity research analysts essentials for buy - Dec 11 2021

best practices for equity research analysts essentials for buy side and sell side analysts by james valentine p cm isbn 978 0 07 173638 1 alk paper 1 investment

buy best practices for equity research analysts essentials for - Jun 16 2022

find helpful customer reviews and review ratings for best practices for equity research analysts essentials for buy side and sell side analysts at amazon com read honest

[best practices for equity research analysts essentials for buy](#) - Feb 22 2023

select search scope currently catalog all catalog articles website more in one search catalog books media more in the stanford libraries collections articles journal articles

best practices for equity research analysts essentials for buy - Jul 18 2022

buy best practices for equity research analysts essentials for buy side and sell side analysts book online at low prices in india best practices for equity research analysts

best practices for equity research analysts essentials - Apr 26 2023

9 780071 736381 james j valentine cfa valentine best practices for equity research analysts essentials for buy side sell side and analysts ensuring every stock call has

best practices for equity research pb essentials for buy side - Jul 30 2023

jan 1 2010 best practices for equity research analysts essentials for buy side and sell side analysts james j valentine 4 23 409 ratings 29 reviews a real world guide to

continued from front flap fnani ce e best practices best - Mar 26 2023

dec 13 2010 best practices for equity research analysts essentials for buy side and sell side analysts james valentine mcgraw hill dec 13 2010 business economics

best practices equity research analysts - Nov 09 2021

pdf download best practices for equity research analysts - Feb 10 2022

jan 7 2011 best practices for equity research pb james valentine mcgraw hill professional jan 7 2011 business economics 304 pages the first real world guide for

amazon com customer reviews best practices for equity - May 16 2022

best practices for equity research analysts essentials for buy side and sell side analysts valentine j 9781259003950 abebooks items related to best practices for

best practices for equity research analysts essentials for buy - Apr 14 2022

best practices for equity research analysts essentials for buy side and sell side analysts by james valentine george beahm 3 81 203 ratings 31 reviews want to read

best practices for equity research analysts essentials for buy - Mar 14 2022

nov 18 2020 best practices for equity research analysts essentials for buy side and sell side analysts download ebook pdf epub book in english language download

best practices for equity research analysts essentials for buy - Nov 21 2022

praise for best practices for equity research analysts jim valentine has taken his decades of experience as a highly successful security analyst and written an effective and

best practices for equity research pb google books - Jan 12 2022

compre online best practices for equity research analysts essentials for buy side and sell side analysts de valentine james j na amazon frete grÁtis em milhares de

best practices for equity research analysts essentials for buy - Jan 24 2023

best practices for equity research analysts essentials for buy side and sell side analysts hardcover james j valentine 4 22 avg rating 406 ratings by goodreads

best practices for equity research analysts essentials - Jun 28 2023

conveniently organized for use as a learning tool and everyday reference on the job best practices for equity research analysts covers the five primary areas of the equity

best practices for equity research analysts essentials - Aug 31 2023

amazon in buy best practices for equity research pb essentials for buy side and sell side analysts book online at best prices in india on amazon in read best practices for

best practices for equity research analysts essentials for - Dec 23 2022

this item best practices for equity research analysts essentials for buy side and sell side analysts by james valentine 2011 12 24 35 90 35 90 get it as soon as saturday

best practices for equity research analysts essentials for buy - Sep 19 2022

jan 7 2011 best practices for equity research analysts essentials for buy side and sell side analysts 1st edition kindle edition
by james j valentine author format kindle