

# 3 H.P. Model 300



JOB:

Item No.:



## FOOD WASTE DISPOSER SPECIFICATIONS

### CORROSION RESISTANT BODY

Permanent molded from heat treated aluminum alloy.

### TEFLON LIP WATER SEAL

Protects the motor from damage by water.

### TAPERED ROLLER BEARING

Provides longer motor life, quiet operation and shock absorbing.

### WATER COOLED MOTOR

Provides maximum efficiency and longer life.

### QUIET OPERATION

Extra thick rubber mounting adaptor and drain outlet isolates sound and eliminates vibration.

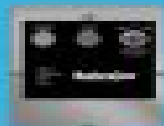
### WASTE MIXING CHAMBER

Extra large to ensure proper mixture of water to waste.

## NEMA 4 Watertight Controls



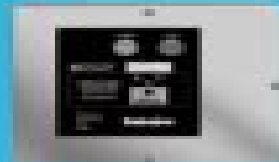
MSS



MRS

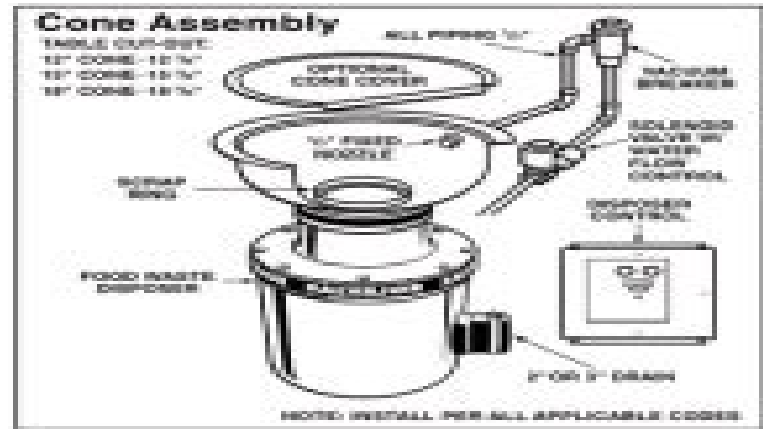


ARS-2



ARS

Optional Line Disconnect (LD) available on MSS, MRS, & ARS



NOTE: INSTALL PER ALL APPLICABLE CODES

## FULL LOAD AMPS

<input type="checkbox"/>	208 Volts	3 Phase	8.6 Amps
<input type="checkbox"/>	230 Volts	3 Phase	8.0 Amps
<input type="checkbox"/>	460 Volts	3 Phase	4.0 Amps

◆ SPECIFY EXACT OPERATING VOLTAGE ◆

# Salvajor 300 Sa Mss Disposers Owners Manual

**Siddappa N.Byrareddy**



**Salvajor 300 Sa Mss Disposers Owners Manual:**

## Whispering the Secrets of Language: An Mental Journey through **Salvajor 300 Sa Mss Disposers Owners Manual**

In a digitally-driven earth wherever monitors reign supreme and instant connection drowns out the subtleties of language, the profound strategies and psychological subtleties hidden within phrases usually go unheard. Yet, nestled within the pages of **Salvajor 300 Sa Mss Disposers Owners Manual** a fascinating fictional value pulsating with fresh emotions, lies an exceptional quest waiting to be undertaken. Published by an experienced wordsmith, this marvelous opus attracts viewers on an introspective journey, lightly unraveling the veiled truths and profound impact resonating within the cloth of each word. Within the mental depths of this emotional review, we can embark upon a sincere exploration of the book is primary subjects, dissect its interesting publishing fashion, and succumb to the effective resonance it evokes serious within the recesses of readers hearts.

[https://crm.avenza.com/results/book-search/fetch.php/pengumuman\\_ppdb\\_sman\\_kertosono\\_tahun\\_2015\\_2016.pdf](https://crm.avenza.com/results/book-search/fetch.php/pengumuman_ppdb_sman_kertosono_tahun_2015_2016.pdf)

### **Table of Contents Salvajor 300 Sa Mss Disposers Owners Manual**

1. Understanding the eBook Salvajor 300 Sa Mss Disposers Owners Manual
  - The Rise of Digital Reading Salvajor 300 Sa Mss Disposers Owners Manual
  - Advantages of eBooks Over Traditional Books
2. Identifying Salvajor 300 Sa Mss Disposers Owners Manual
  - Exploring Different Genres
  - Considering Fiction vs. Non-Fiction
  - Determining Your Reading Goals
3. Choosing the Right eBook Platform
  - Popular eBook Platforms
  - Features to Look for in an Salvajor 300 Sa Mss Disposers Owners Manual
  - User-Friendly Interface
4. Exploring eBook Recommendations from Salvajor 300 Sa Mss Disposers Owners Manual
  - Personalized Recommendations

- Salvajor 300 Sa Mss Disposers Owners Manual User Reviews and Ratings
- Salvajor 300 Sa Mss Disposers Owners Manual and Bestseller Lists
- 5. Accessing Salvajor 300 Sa Mss Disposers Owners Manual Free and Paid eBooks
  - Salvajor 300 Sa Mss Disposers Owners Manual Public Domain eBooks
  - Salvajor 300 Sa Mss Disposers Owners Manual eBook Subscription Services
  - Salvajor 300 Sa Mss Disposers Owners Manual Budget-Friendly Options
- 6. Navigating Salvajor 300 Sa Mss Disposers Owners Manual eBook Formats
  - ePub, PDF, MOBI, and More
  - Salvajor 300 Sa Mss Disposers Owners Manual Compatibility with Devices
  - Salvajor 300 Sa Mss Disposers Owners Manual Enhanced eBook Features
- 7. Enhancing Your Reading Experience
  - Adjustable Fonts and Text Sizes of Salvajor 300 Sa Mss Disposers Owners Manual
  - Highlighting and Note-Taking Salvajor 300 Sa Mss Disposers Owners Manual
  - Interactive Elements Salvajor 300 Sa Mss Disposers Owners Manual
- 8. Staying Engaged with Salvajor 300 Sa Mss Disposers Owners Manual
  - Joining Online Reading Communities
  - Participating in Virtual Book Clubs
  - Following Authors and Publishers Salvajor 300 Sa Mss Disposers Owners Manual
- 9. Balancing eBooks and Physical Books Salvajor 300 Sa Mss Disposers Owners Manual
  - Benefits of a Digital Library
  - Creating a Diverse Reading Collection Salvajor 300 Sa Mss Disposers Owners Manual
- 10. Overcoming Reading Challenges
  - Dealing with Digital Eye Strain
  - Minimizing Distractions
  - Managing Screen Time
- 11. Cultivating a Reading Routine Salvajor 300 Sa Mss Disposers Owners Manual
  - Setting Reading Goals Salvajor 300 Sa Mss Disposers Owners Manual
  - Carving Out Dedicated Reading Time
- 12. Sourcing Reliable Information of Salvajor 300 Sa Mss Disposers Owners Manual
  - Fact-Checking eBook Content of Salvajor 300 Sa Mss Disposers Owners Manual

- Distinguishing Credible Sources
- 13. Promoting Lifelong Learning
  - Utilizing eBooks for Skill Development
  - Exploring Educational eBooks
- 14. Embracing eBook Trends
  - Integration of Multimedia Elements
  - Interactive and Gamified eBooks

### **Salvajor 300 Sa Mss Disposers Owners Manual Introduction**

In today's digital age, the availability of Salvajor 300 Sa Mss Disposers Owners Manual books and manuals for download has revolutionized the way we access information. Gone are the days of physically flipping through pages and carrying heavy textbooks or manuals. With just a few clicks, we can now access a wealth of knowledge from the comfort of our own homes or on the go. This article will explore the advantages of Salvajor 300 Sa Mss Disposers Owners Manual books and manuals for download, along with some popular platforms that offer these resources. One of the significant advantages of Salvajor 300 Sa Mss Disposers Owners Manual books and manuals for download is the cost-saving aspect. Traditional books and manuals can be costly, especially if you need to purchase several of them for educational or professional purposes. By accessing Salvajor 300 Sa Mss Disposers Owners Manual versions, you eliminate the need to spend money on physical copies. This not only saves you money but also reduces the environmental impact associated with book production and transportation.

Furthermore, Salvajor 300 Sa Mss Disposers Owners Manual books and manuals for download are incredibly convenient. With just a computer or smartphone and an internet connection, you can access a vast library of resources on any subject imaginable. Whether you're a student looking for textbooks, a professional seeking industry-specific manuals, or someone interested in self-improvement, these digital resources provide an efficient and accessible means of acquiring knowledge. Moreover, PDF books and manuals offer a range of benefits compared to other digital formats. PDF files are designed to retain their formatting regardless of the device used to open them. This ensures that the content appears exactly as intended by the author, with no loss of formatting or missing graphics. Additionally, PDF files can be easily annotated, bookmarked, and searched for specific terms, making them highly practical for studying or referencing. When it comes to accessing Salvajor 300 Sa Mss Disposers Owners Manual books and manuals, several platforms offer an extensive collection of resources. One such platform is Project Gutenberg, a nonprofit organization that provides over 60,000 free eBooks. These books are primarily in the public domain, meaning they can be freely distributed and downloaded. Project Gutenberg offers a wide range of classic literature, making it an excellent resource for literature enthusiasts. Another popular platform for

Salvajor 300 Sa Mss Disposers Owners Manual books and manuals is Open Library. Open Library is an initiative of the Internet Archive, a non-profit organization dedicated to digitizing cultural artifacts and making them accessible to the public. Open Library hosts millions of books, including both public domain works and contemporary titles. It also allows users to borrow digital copies of certain books for a limited period, similar to a library lending system. Additionally, many universities and educational institutions have their own digital libraries that provide free access to PDF books and manuals. These libraries often offer academic texts, research papers, and technical manuals, making them invaluable resources for students and researchers. Some notable examples include MIT OpenCourseWare, which offers free access to course materials from the Massachusetts Institute of Technology, and the Digital Public Library of America, which provides a vast collection of digitized books and historical documents. In conclusion, Salvajor 300 Sa Mss Disposers Owners Manual books and manuals for download have transformed the way we access information. They provide a cost-effective and convenient means of acquiring knowledge, offering the ability to access a vast library of resources at our fingertips. With platforms like Project Gutenberg, Open Library, and various digital libraries offered by educational institutions, we have access to an ever-expanding collection of books and manuals. Whether for educational, professional, or personal purposes, these digital resources serve as valuable tools for continuous learning and self-improvement. So why not take advantage of the vast world of Salvajor 300 Sa Mss Disposers Owners Manual books and manuals for download and embark on your journey of knowledge?

### **FAQs About Salvajor 300 Sa Mss Disposers Owners Manual Books**

How do I know which eBook platform is the best for me? Finding the best eBook platform depends on your reading preferences and device compatibility. Research different platforms, read user reviews, and explore their features before making a choice. Are free eBooks of good quality? Yes, many reputable platforms offer high-quality free eBooks, including classics and public domain works. However, make sure to verify the source to ensure the eBook credibility. Can I read eBooks without an eReader? Absolutely! Most eBook platforms offer webbased readers or mobile apps that allow you to read eBooks on your computer, tablet, or smartphone. How do I avoid digital eye strain while reading eBooks? To prevent digital eye strain, take regular breaks, adjust the font size and background color, and ensure proper lighting while reading eBooks. What the advantage of interactive eBooks? Interactive eBooks incorporate multimedia elements, quizzes, and activities, enhancing the reader engagement and providing a more immersive learning experience. Salvajor 300 Sa Mss Disposers Owners Manual is one of the best book in our library for free trial. We provide copy of Salvajor 300 Sa Mss Disposers Owners Manual in digital format, so the resources that you find are reliable. There are also many Ebooks of related with Salvajor 300

Sa Mss Disposers Owners Manual. Where to download Salvajor 300 Sa Mss Disposers Owners Manual online for free? Are you looking for Salvajor 300 Sa Mss Disposers Owners Manual PDF? This is definitely going to save you time and cash in something you should think about. If you trying to find then search around for online. Without a doubt there are numerous these available and many of them have the freedom. However without doubt you receive whatever you purchase. An alternate way to get ideas is always to check another Salvajor 300 Sa Mss Disposers Owners Manual. This method for see exactly what may be included and adopt these ideas to your book. This site will almost certainly help you save time and effort, money and stress. If you are looking for free books then you really should consider finding to assist you try this. Several of Salvajor 300 Sa Mss Disposers Owners Manual are for sale to free while some are payable. If you arent sure if the books you would like to download works with for usage along with your computer, it is possible to download free trials. The free guides make it easy for someone to free access online library for download books to your device. You can get free download on free trial for lots of books categories. Our library is the biggest of these that have literally hundreds of thousands of different products categories represented. You will also see that there are specific sites catered to different product types or categories, brands or niches related with Salvajor 300 Sa Mss Disposers Owners Manual. So depending on what exactly you are searching, you will be able to choose e books to suit your own need. Need to access completely for Campbell Biology Seventh Edition book? Access Ebook without any digging. And by having access to our ebook online or by storing it on your computer, you have convenient answers with Salvajor 300 Sa Mss Disposers Owners Manual To get started finding Salvajor 300 Sa Mss Disposers Owners Manual, you are right to find our website which has a comprehensive collection of books online. Our library is the biggest of these that have literally hundreds of thousands of different products represented. You will also see that there are specific sites catered to different categories or niches related with Salvajor 300 Sa Mss Disposers Owners Manual So depending on what exactly you are searching, you will be able to choose ebook to suit your own need. Thank you for reading Salvajor 300 Sa Mss Disposers Owners Manual. Maybe you have knowledge that, people have search numerous times for their favorite readings like this Salvajor 300 Sa Mss Disposers Owners Manual, but end up in harmful downloads. Rather than reading a good book with a cup of coffee in the afternoon, instead they juggled with some harmful bugs inside their laptop. Salvajor 300 Sa Mss Disposers Owners Manual is available in our book collection an online access to it is set as public so you can download it instantly. Our digital library spans in multiple locations, allowing you to get the most less latency time to download any of our books like this one. Merely said, Salvajor 300 Sa Mss Disposers Owners Manual is universally compatible with any devices to read.

**Find Salvajor 300 Sa Mss Disposers Owners Manual :**

*pengumuman ppdb sman kertoso tahun 2015 2016*



[penn state essay questions](#)

[pediatrics cpt codes](#)

[penseacutees royales canines les penseacutees du king charles](#)

[pentax espio 738s user manual](#)

[peerless gearbox repair manual](#)

**penn state engineering, us news world report**

[pentax mg user manual](#)

[pengumuman hasil seleksi osn guru 2015 semarang](#)

**pearsons auditing and assurance 15th edition**

**pentair intelliflo vs manual**

[pentax optio 150 user guide](#)

[peavey xr 684 manual](#)

[pelco home security system manual](#)

**pearson physics answer key**

### **Salvajor 300 Sa Mss Disposers Owners Manual :**

[abdominal closure the equine acute abdomen wiley online](#) - Sep 04 2022

web sep 1 2017 closure of the equine abdomen is the critical final step of abdominal surgery suturing the body wall is the step that provides strength to the closure selection of suture size type and pattern must be appropriate in order to

**intestinal motility and transit the equine acute abdomen** - Apr 30 2022

web sep 1 2017 summary motility of the gastrointestinal tract has two major effects to facilitate the absorption of nutrients and to maintain the aboral propagation of chyme and indigestible material both retrograde and normograde flow are required to optimize the absorption of nutrients

**equine acute abdomen pdf vet ebooks** - Apr 11 2023

web equine acute abdomen by james n moore nathaniel a white and tim s mair equine acute abdomen pdf allows users to effectively diagnose and treat any acute disease of the stomach intestines peritoneum liver and abdominal wall its authorship includes over 20 internationally recognized experts that provide critical information needed by

**equine acute abdomen nathaniel a white james n moore** - Feb 26 2022

web feb 5 2014 this title allows users to effectively diagnose and treat any acute disease of the stomach intestines peritoneum liver and abdominal wall its authorship includes over 20 internationally recognized experts that provide critical

information needed by practitioners for management of abdominal diseases

[the equine acute abdomen google books](#) - Jan 28 2022

web normal anatomy and physiology of the intestinal tract anatomy of the gastrointestinal tract and peritoneal cavity

physiology of digestive secretory and absorptive processes intestinal

**the equine acute abdomen google books** - May 12 2023

web oct 23 2017 the equine acute abdomen written and edited by leading experts on equine digestive diseases the equine acute abdomen third edition is the preeminent text on diagnosing and treating acute

*the equine acute abdomen wiley online library* - Jun 13 2023

web the equine acute abdomen third edition edited by anthony t blikslager dvm phd dacvs professor of equine surgery and gastroenterology department of clinical sciences college of veterinary medicine north carolina state university raleigh north carolina usa nathaniel a white ii dvm ms dacvs

[gross and microscopic anatomy of the equine gastrointestinal tract](#) - Dec 27 2021

web sep 1 2017 summary the key to making an accurate diagnosis for a horse with acute abdominal pain colic is

recognizing changes in anatomic structures or relationships among different organs therefore this chapter focuses on the gross and microscopic structure of the horse s alimentary tract starting with the esophagus

**ultrasound examination of the equine acute abdomen** - Jul 02 2022

web mar 5 2021 background abdominal pain is one of the most common causes of emergency in equine practice the origin of these clinical signs is wide ranging therefore the treatment and prognosis can vary significantly the use of imaging modalities especially ultrasonography for the diagnosis of abdominal diseases in horses has become widely

**the equine acute abdomen 3rd edition amazon com** - Mar 10 2023

web oct 23 2017 the equine acute abdomen 3rd edition written and edited by leading experts on equine digestive diseases the equine acute abdomen third edition is the preeminent text on diagnosing and treating acute abdominal diseases in

[abdominal abscesses and neoplasia the equine acute abdomen](#) - Oct 05 2022

web sep 1 2017 summary abdominal abscesses and neoplasia are relatively uncommon causes of acute abdominal pain

compared with other types of strangulating and nonstrangulating obstructions these similarities in clinical presentation of horses with abdominal abscesses and neoplasia make preoperative diagnosis challenging

**the equine acute abdomen 3rd edition vetbooks** - Dec 07 2022

web oct 14 2017 august 2017 written and edited by leading experts on equine digestive diseases the equine acute abdomen third edition is the preeminent text on diagnosing and treating acute abdominal diseases in horses donkeys and mules

**equine acute abdomen 1st edition nathaniel a white** - Mar 30 2022

web this title allows users to effectively diagnose and treat any acute disease of the stomach intestines peritoneum liver and abdominal wall its authorship includes over 20 internationally recognized experts that provide critical information needed by practitioners for management of abdominal diseases this informative resource provides a thorough

**pdf the equine acute abdomen by anthony t blikslager** - Jan 08 2023

web written and edited by leading experts on equine digestive diseases the equine acute abdomen third edition is the preeminent text on diagnosing and treating acute abdominal diseases in horses donkeys and mules

*the equine acute abdomen wiley online books* - Aug 15 2023

web sep 1 2017 about this book written and edited by leading experts on equine digestive diseases the equine acute abdomen third edition is the preeminent text on diagnosing and treating acute abdominal diseases in horses donkeys and mules the definitive guide to acute abdominal disorders in equine patients show all

**equine acute abdomen google books** - Aug 03 2022

web oct 31 2009 equine acute abdomen nathaniel a white james n moore tim s mair crc press oct 31 2009 medical 770 pages 0 reviews reviews aren't verified but google checks for and removes fake

ultrasound of the equine acute abdomen pubmed - Nov 06 2022

web ultrasound of the equine acute abdomen abdominal ultrasound is an invaluable aid in the evaluation of the colic patient but can be heavily influenced by patient preparation individual horse to horse variation availability of ultrasound transducers technique experience level of the examiner and complexity of the abdominal disorder t

*the equine acute abdomen ebook 2017 worldcat org* - Jun 01 2022

web written and edited by leading experts on equine digestive diseases the equine acute abdomen third edition is the preeminent text on diagnosing and treating acute abdominal diseases in horses read more

**pathophysiology of enteritis and colitis the equine acute abdomen** - Feb 09 2023

web sep 1 2017 summary most of the syndromes associated with enteritis and colitis in horses are fundamentally inflammatory in nature with a number of shared pathophysiologic processes an understanding of these underlying abnormalities informs the approach to diagnosis and management of enteritis and colitis

**the equine acute abdomen 3rd edition wiley** - Jul 14 2023

web written and edited by leading experts on equine digestive diseases the equine acute abdomen third edition is the preeminent text on diagnosing and treating acute abdominal diseases in horses donkeys and mules

**jerusalem to baghdad 1967 1992 selected letters** - Oct 27 2022

web to baghdad 1967 1992 selected letters below proceedings of the seminar for arabian studies 2004 contains selected papers given at the 4th seminars held 1970 jerusalem to baghdad 1967 1992 roy e skinner 1995 12 31 selected letters by the

former un worker in the middle east byzantium and islam metropolitan museum of art new york

*jerusalem to baghdad 1967 1992 selected letters 2013* - Nov 27 2022

web jerusalem to baghdad 1967 1992 selected letters downloaded from 2013 thecontemporaryaustin org by guest mercer miguel a jewish philosopher of baghdad edinburgh university press at the end of the high middle ages in europe with buying power and economic sophistication at a high an itinerary detailing the

**jerusalem to baghdad 1967 1992 selected letters 2022 mail** - Jul 24 2022

web 2 jerusalem to baghdad 1967 1992 selected letters 2021 12 01 departures of jews in the mid 20th century offering a unique perspective from within on the historical background of some of the most vexing problems of the modern middle east

jerusalem to baghdad 1967 1992 selected letters google - Jul 04 2023

web these collected letters are entry points to the history of a turbulent region lebanon syria jordan the west bank and gaza israel egypt and iraq they tell us much about the patient and practical work of the united nations agencies in many fields such as peacekeeping health and education

**jerusalem to baghdad 1967 1992 selected letters** - Feb 16 2022

web a jewish philosopher of baghdad the history of al tabari vol 39 rethinking nationalism in the arab middle east printing the talmud the encounter of eastern christianity with early islam major problems in american foreign relations volume ii since 1914 jerusalem to baghdad 1967 1992 the middle east remembered the early islamic grammatical

**jerusalem to baghdad 1967 1992 selected letters hardcover** - Dec 29 2022

web buy jerusalem to baghdad 1967 1992 selected letters first edition by skinner roy e isbn 9781850439516 from amazon s book store everyday low prices and free delivery on eligible orders

**jerusalem to baghdad 1967 1992 selected letters copy** - Aug 25 2022

web jerusalem to baghdad 1967 1992 selected letters downloaded from mail thekingiscoming com by guest braedon hull jerusalem 1000 1400 state university of new york press in early sunnī historiography tobias andersson presents the first full length study of the earliest islamic chronological history extant the tāriḫ

**jerusalem to baghdad 1967 1992 selected letters worldcat org** - Sep 06 2023

web these collected letters are entry points to the history of a turbulent region lebanon syria jordan the west bank and gaza israel egypt and iraq they tell us much about the patient and practical work of the united nations agencies in many fields such as peacekeeping health and education

*jerusalem to baghdad 1967 1992 selected letters by roy e* - Apr 20 2022

web jerusalem a brief history dossier blog jerusalem to baghdad 1967 1992 selected letters book jerusalem in international diplomacy jerusalem time to baghdad time converter timebie battle of jerusalem the founding of baghdad iraq building the

world jerusalem to baghdad 1967 1992 selected letters roy e archives nypl israel

[jerusalem to baghdad 1967 1992 selected letters](#) - Apr 01 2023

web sep 1 1995 based on his long and varied career in the middle east roy skinner s letters provide a unique and vivid personal introduction to the contemporary history of this turbulent region revealing much about the patient and practical work of united nations agencies in peacekeeping among refugees in health and social work in education and training

**jerusalem to baghdad 1967 1992 selected letters** - Jun 03 2023

web responsibility roy e skinner imprint london new york radcliffe press 1995 physical description xiv 311 p ill maps 23 cm

[jerusalem to baghdad 1967 1992 selected letters](#) - Mar 20 2022

web this selection of the letters aims to include those which are of greatest philosophical interest especially those which highlight the debates between stoics and platonists or aristotelians in the first century ad and the issue still important today of how

[jerusalem to baghdad 1967 1992 selected letters webcat plus](#) - May 02 2023

web jerusalem to baghdad 1967 1992 selected letters [ ] skinner roy e [ ] selected letters [ ] radcliffe press [ ] 1995 12 31 [ ] 288p [ ] h216 x w138 isbn 9781850439516 [ ] [ ] [ ] [ ]

**jerusalem to baghdad 1967 1992 selected letters pdf** - May 22 2022

web oct 7 2023 jerusalem to baghdad 1967 1992 selected letters 2 5 downloaded from uniport edu ng on october 7 2023 by guest geographical exploration the other wars justin fantauzzo 2019 12 12 the first full length study of the experience and memory of british and dominion soldiers in the middle east and macedonia during wwi world

**jerusalem to baghdad 1967 1992 selected letters** - Jun 22 2022

web jerusalem to baghdad 1967 1992 selected letters is available in our book collection an online access to it is set as public so you can download it instantly our books collection hosts in multiple locations allowing you to get the most less latency time to download any

**jerusalem to baghdad 1967 1992 selected letters** - Sep 25 2022

web jerusalem to baghdad 1967 1992 selected letters selected letters oct 14 2021 this book contains a collection of keats letters written over four years with extraordinary candour and self knowledge he gives us his experience of almost everything that can happen to a young man between the ages of 21 and 25 as if dec 16 2021

[jerusalem to baghdad 1967 1992 selected letters google](#) - Aug 05 2023

web dec 31 1995 jerusalem to baghdad 1967 1992 selected letters roy e skinner bloomsbury academic dec 31 1995 history 311 pages these collected letters are entry points to the history of a turbulent

[jerusalem to baghdad 1967 1992 selected letters](#) - Jan 30 2023

web how to borrow from another library search for the book on ezborrow ezborrow is the easiest and fastest way to get the book you want ebooks unavailable

**jerusalem to baghdad 1967 1992 selected letters hardcover** - Feb 28 2023

web jun 15 1995 jerusalem to baghdad 1967 1992 selected letters skinner roy e on amazon com free shipping on qualifying offers jerusalem to baghdad 1967 1992 selected letters

**jerusalem to baghdad 1967 1992 selected letters** - Oct 07 2023

web apr 1 2022 jerusalem to baghdad 1967 1992 selected letters bookreader item preview remove circle share or embed this item share to twitter share to facebook share to reddit share to tumblr share to pinterest jerusalem to baghdad 1967 1992 selected letters by skinner roy e publication date

**how to teach a child early sight word skills at home verywell** - Sep 28 2022

web sep 17 2020 learn easy ways to teach your child early sight word skills at home developing your preschooler s early reading awareness will help in the future

*top 100 sight words and how to teach them reading* - Jul 27 2022

web then you show the model again and repeat the process in other words the writing of the sentence has to be fully accurate starting with the first word if you want a list of those words to help guide your efforts here is the top 100 according to the american heritage word frequency book by john b carroll

**sight words preschool for improving writing readi copy** - Feb 19 2022

web 2 sight words preschool for improving writing readi 2021 11 14 kids have fun while also learning to understand and read the high frequency sight words from pre k to 1st grade at the same time you get to enjoy watching them improve their reading comprehension skills

**sight words teaching strategy sight words teach your child** - Nov 30 2022

web overview sight words instruction is an excellent supplement to phonics instruction phonics is a method for learning to read in general while sight words instruction increases a child s familiarity with the high frequency words he will encounter most often

**preschool sight words list of sight words for preschoolers** - Aug 28 2022

web give your child a storybook and ask them to find the preschool sight words in that story pictionary kids love playing games so involve them in word games like pictionary to help them learn sight words for preschoolers for more fun words to play the game check pictionary words for kids puzzles word puzzles are a great way to help a

**how to teach sight words to kindergarten kids 10 easy tips** - Mar 23 2022

web oct 26 2023 allow your child to write sight words using colorful markers gel pens or chalk on different surfaces

encourage them to say the letters aloud as they write each word to reinforce auditory learning 9 pair reading and writing with sight words encourage your child to write simple sentences or short stories using sight words

**the importance of teaching sight words to preschoolers** - Jul 07 2023

web mar 11 2021 write a book together using sight words in repetition for example you might tell the story of a visit to the zoo using the basic sentence we go see the fill in an animal name the constant use and exposure to the words we go see and the will help your little one learn them

**preschool sight words free printable included tpr teaching** - Aug 08 2023

web sep 18 2022 sight words are those words that don t necessarily follow the rules of phonics but are still essential for early reading and writing in this post i m sharing why sight words are important for preschoolers and some tips for teaching them

**motor enriched learning for improving pre reading and word** - Jan 01 2023

web jan 4 2021 gejl a k malling a s b damsgaard l et al motor enriched learning for improving pre reading and word recognition skills in preschool children aged 5 6 years study protocol for the playmore randomized controlled trial bmc pediatr 21 2 2021 doi org 10 1186 s12887 020 02430 0 download citation received 21

*sight words preschool for improving writing readi pdf* - May 25 2022

web aug 6 2023 words preschool for improving writing readi but stop happening in harmful downloads rather than enjoying a fine pdf in the same way as a cup of coffee in the afternoon then again they juggled as soon as some harmful virus inside their computer sight words preschool for improving writing

*read spell write sight words kindergarten preschool youtube* - Jun 25 2022

web dec 16 2020 with this video kids learn to read spell and write 7 high frequency words with an easy approach that includes letter tracing and word shapes these sight words are at a preschool and

*sight words preschool for improving writing readi baby* - Apr 23 2022

web sight words preschool for improving writing readi this is likewise one of the factors by obtaining the soft documents of this sight words preschool for improving writing readi by online you might not require more grow old to spend to go to the ebook establishment as capably as search for them

sight words for preschoolers the primary parade - Apr 04 2023

web writing and reading sight words writing sight words is an excellent way to help the brain memorize them there s something about reading writing and doing that makes learning click so i always incorporate writing sight words when i teach them

**the benefits of teaching sight words to preschoolers brightwheel** - May 05 2023

web jun 6 2023 brightwheel blog curriculum the benefits of teaching sight words to preschoolers teaching preschool sight words is important because it helps children grow their vocabulary understand sentences and become confident fluent readers

[free printable sight words reader for preschoolers](#) - Jun 06 2023

web free printable sight words reader for preschoolers by beth gorden this free printable sight words reader is perfect for helping your children practice reading and writing skills as well as their fine motor skills this sight word activities is such a fun no prep activity for preschoolers

**sight words an evidence based literacy strategy understood** - Feb 02 2023

web sight words are words that students are expected to recognize instantly with the right support students can become so familiar with these words that they no longer need to pause and try to decode them some sight words are regularly spelled words and some are spelled irregularly

**sight words preschool for improving writing reading skills sight** - Oct 30 2022

web oct 26 2018 the most basic thing for the kids while growing is to get familiar with different learning aspects including writing reading more and this is exactly where flash cards sight words book comes to help with sheer comfort and ease

**sight words preschool for improving writing readi pdf** - Oct 10 2023

web sight words preschool for improving writing readi mps teachers link preschool to better performance in kindergarten research brief volume 97 number 4 mar 14 2020 this report is the latest in a series of reports investigating the link between high quality early childhood education and economic development longitudinal research from

**simple easy sight words for preschool fun ways to learn** - Sep 09 2023

web jun 22 2023 popsicle stick sight word game write sight words on popsicle sticks and take turns pulling them out and reading the word then write dynamite on a few of the sticks the person that pulls out the dynamite stick has to put all of their sticks back in the person with the most sticks wins sight word songs

[sight words sight words teach your child to read](#) - Mar 03 2023

web overview learn the history behind dolch and fry sight words and why they are important in developing fluent readers more lessons follow the sight words teaching techniques learn research validated and classroom proven ways to introduce words reinforce learning and correct mistakes flash cards print your own sight words flash cards